



US00D813842S

(12) **United States Design Patent**
Kimura et al.

(10) **Patent No.:** **US D813,842 S**
(45) **Date of Patent:** **** *Mar. 27, 2018**

(54) **CONTROLLER FOR A DIGITAL AUDIO
PLAYER**

(71) Applicant: **Roland Corporation**, Shizuoka (JP)

(72) Inventors: **Akihito Kimura**, Shizuoka (JP);
Kenichiro Nishi, Shizuoka (JP);
Takeshi Washizawa, Shizuoka (JP)

(73) Assignee: **Roland Corporation**, Shizuoka (JP)

(*) Notice: This patent is subject to a terminal disclaimer.

(**) Term: **15 Years**

(21) Appl. No.: **29/576,737**

(22) Filed: **Sep. 7, 2016**

(51) **LOC (11) Cl.** **14-03**

(52) **U.S. Cl.**
USPC **D14/217**

(58) **Field of Classification Search**
USPC D14/217, 257, 258, 434, 496, 162, 167,
D14/175, 188, 196-198
CPC H04S 7/30; H04S 2400/03; H04S 2400/11;
H04S 2400/15; H04S 3/02; H04S 1/002;
H04S 2400/01; H04S 2420/01; H04S
2420/03; H04S 2420/11; H04S 3/006;
H04S 3/008; H04S 7/00; H04S 7/307;
H04S 7/308; H03G 3/00; H03G 3/20;
H03G 3/3005; H03G 9/025; H03G
11/008; H03G 3/008; H03G 3/10; H03G
3/30; H03G 3/3036; H03G 3/3068; H03G
3/3089; H03G 5/165; H03G 9/005
See application file for complete search history.

(56) **References Cited**

U.S. PATENT DOCUMENTS

D602,914 S * 10/2009 Williamson D14/203
D624,053 S * 9/2010 Williamson D14/203
D678,249 S * 3/2013 Kuramoto D14/217
D678,250 S 3/2013 O'Donnell et al.

D687,019 S * 7/2013 O'Donnell D14/217
D689,486 S * 9/2013 O'Donnell D14/217
D715,264 S * 10/2014 Iijima D14/217
D715,265 S 10/2014 Kuramoto
D715,771 S * 10/2014 Funayama D14/217
D721,675 S * 1/2015 Hong D14/217
D760,196 S * 6/2016 O'Donnell D14/217
D765,058 S * 8/2016 Matsubayashi D14/217

(Continued)

FOREIGN PATENT DOCUMENTS

JP D1469257 5/2013

OTHER PUBLICATIONS

Numark Industries, LLC, "Audio Mixer, iDJ Pro," available at:
<http://www.bestbuy.com/site/olspage.jsp?id=cat13506&type=page&skuId=4779075&productId=1218526674869&defurl=false&h=387>, retrieved on Feb. 15, 2017.

Primary Examiner — Ian Simmons
Assistant Examiner — Khawaja Anwar
(74) *Attorney, Agent, or Firm* — JCIPRNET

(57) **CLAIM**

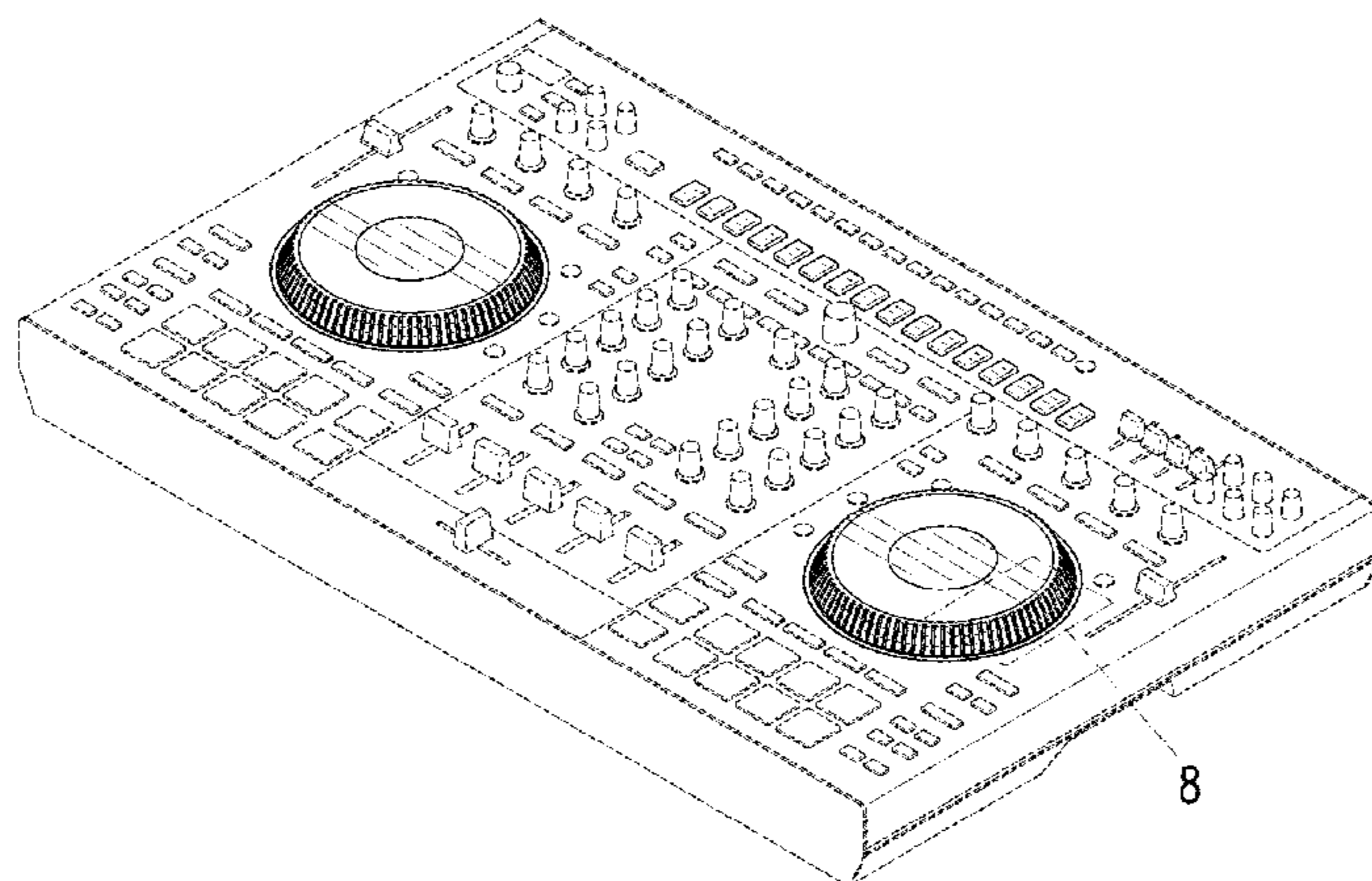
The ornamental design for a controller for a digital audio player, as shown and described.

DESCRIPTION

FIG. 1 is a perspective view of a controller for a digital audio player showing our new design;
FIG. 2 is a front view thereof;
FIG. 3 is a rear view thereof;
FIG. 4 is a left side view thereof;
FIG. 5 is a right side view thereof;
FIG. 6 is a top view thereof;
FIG. 7 is a bottom view thereof; and,
FIG. 8 is an enlarged view of an indicated portion shown in rectangle 8 of FIG. 1.

The broken lines illustrating portions of the controller for a digital audio player represent unclaimed portions of the claimed design and form no part thereof.

1 Claim, 4 Drawing Sheets



(56)

References Cited

U.S. PATENT DOCUMENTS

D765,619 S	9/2016	Kuramoto	
D771,020 S *	11/2016	O'Donnell	D14/217
D771,594 S *	11/2016	Hong	D14/217
D778,263 S *	2/2017	Martel	D14/217

* cited by examiner

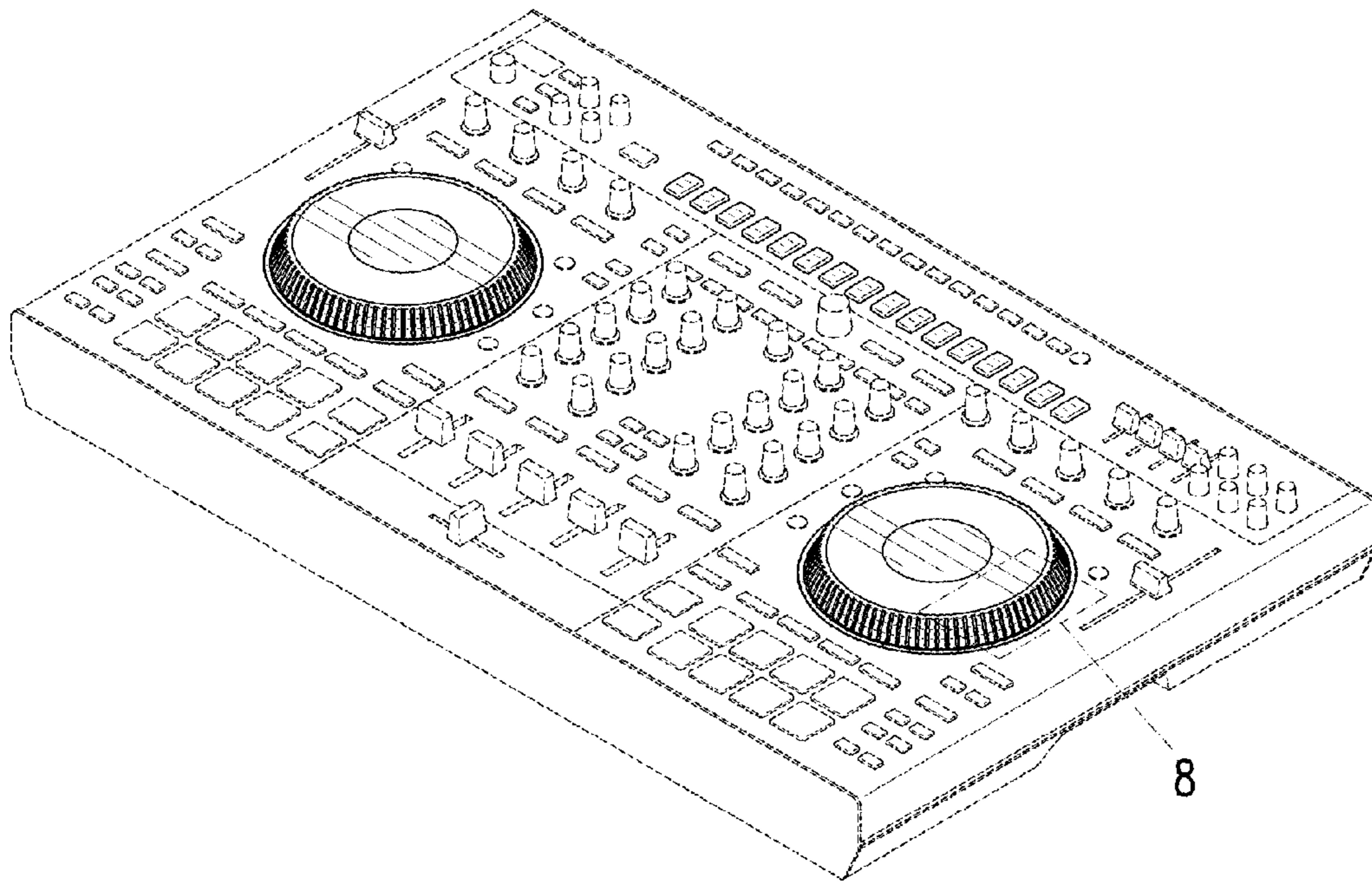


FIG. 1

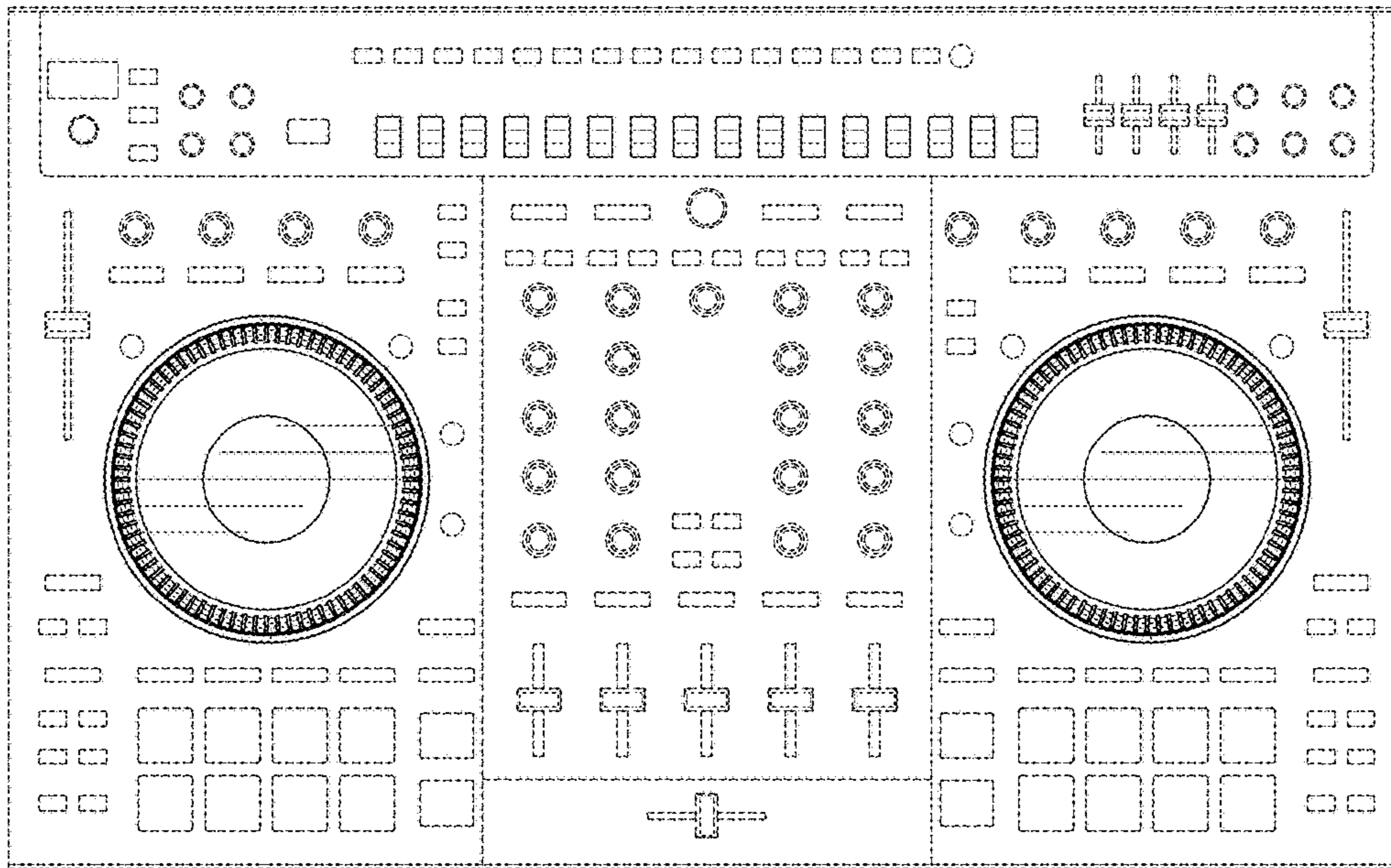


FIG. 2

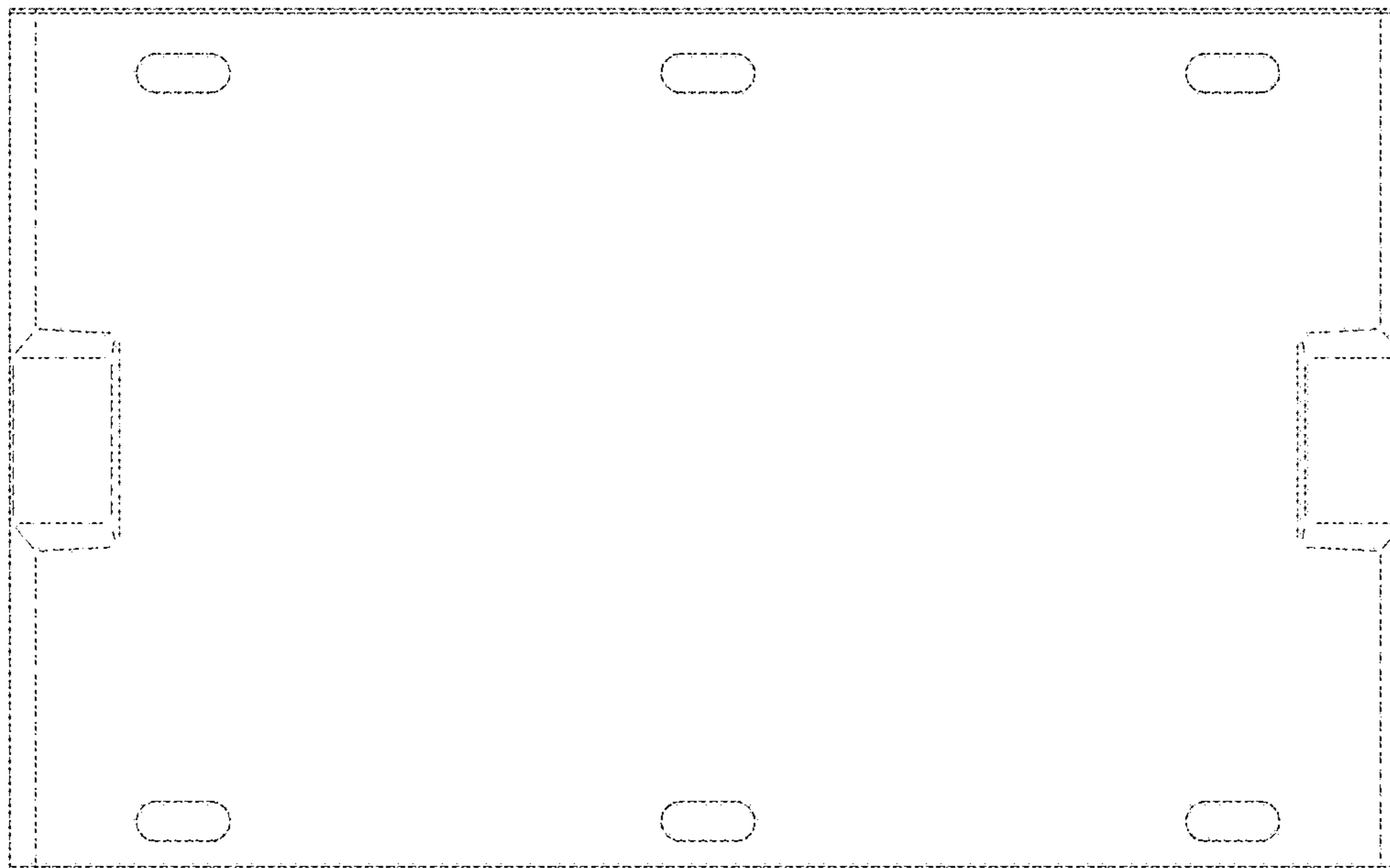


FIG. 3

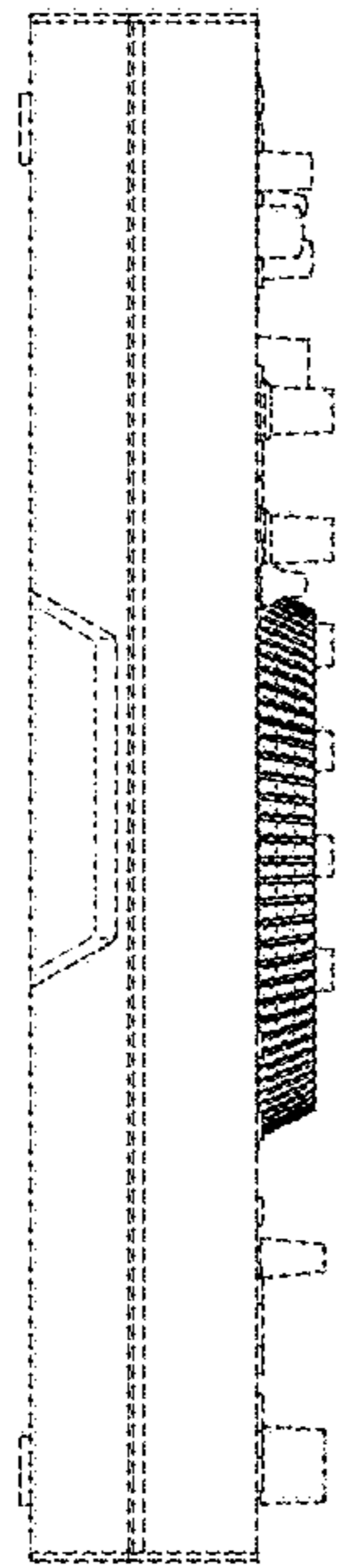


FIG. 4

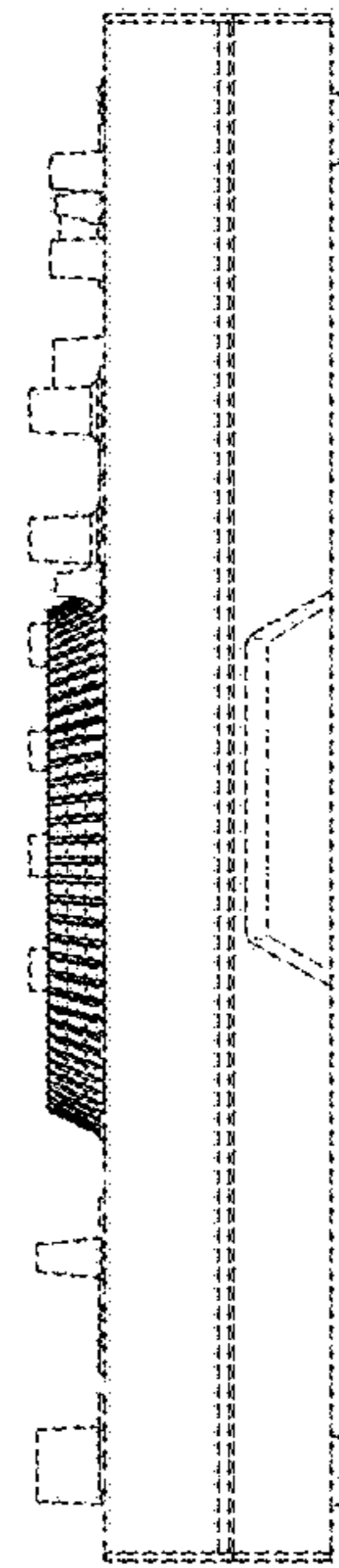


FIG. 5

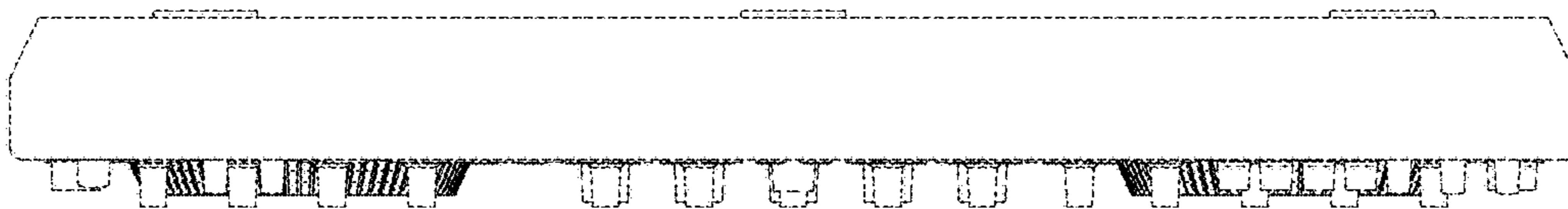


FIG. 6

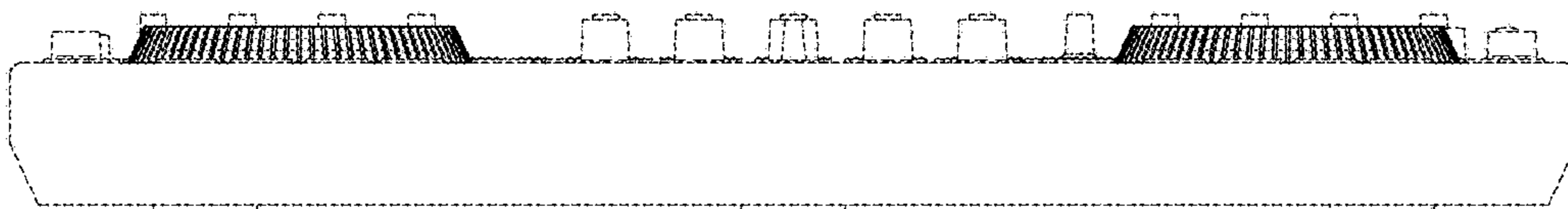


FIG. 7

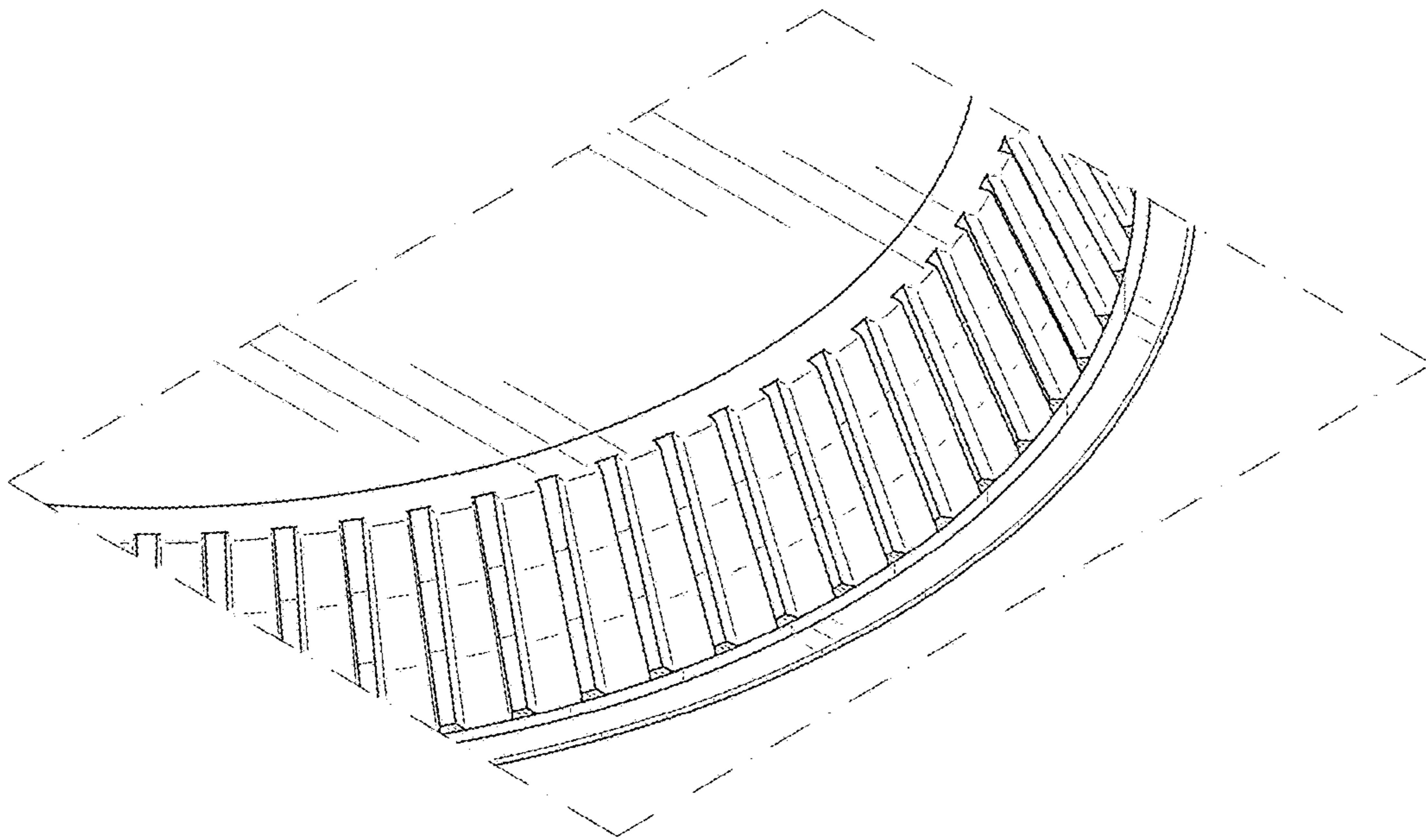


FIG. 8