



US00D813838S

(12) **United States Design Patent**  
**Pietschmann et al.**

(10) **Patent No.:** **US D813,838 S**  
(45) **Date of Patent:** **\*\* Mar. 27, 2018**

(54) **LOUDSPEAKER**

1/021; H04R 1/025; H04R 1/026; H04R  
1/028; H04R 1/105; H04R 1/323; H04R  
1/403;

(71) Applicant: **ADAM HALL GMBH**, Neu-Anspach  
(DE)

(Continued)

(72) Inventors: **Alexander Pietschmann**, Neu-Anspach  
(DE); **Francesco Spagnolo**,  
Neu-Anspach (DE)

(56)

**References Cited**

U.S. PATENT DOCUMENTS

(73) Assignee: **ADAM HALL GMBH**, Neu-Anspach  
(DE)

D326,656 S \* 6/1992 Koza ..... D14/207  
D392,976 S 3/1998 Fenner et al.

(Continued)

(\*\*) Term: **15 Years**

FOREIGN PATENT DOCUMENTS

(21) Appl. No.: **29/541,871**

DE 19524123 2/1997  
DE 20320156 4/2004

(22) Filed: **Oct. 8, 2015**

(Continued)

(30) **Foreign Application Priority Data**

OTHER PUBLICATIONS

Apr. 14, 2015 (EM) ..... 002680827-0001  
Apr. 14, 2015 (EM) ..... 002680827-0002  
Apr. 14, 2015 (EM) ..... 002680827-0003  
Apr. 14, 2015 (EM) ..... 002680827-0004  
Apr. 14, 2015 (EM) ..... 002680827-0005  
Apr. 14, 2015 (EM) ..... 002680827-0006  
Apr. 14, 2015 (EM) ..... 002680827-0007  
Apr. 14, 2015 (EM) ..... 002680827-0008

U.S. Appl. No. 29/536,697, filed Aug. 19, 2015, Pietschmann et al.

*Primary Examiner* — Keli L Hill

(74) *Attorney, Agent, or Firm* — Sheridan Ross PC

(51) **LOC (11) Cl.** ..... **14-03**

(52) **U.S. Cl.**  
USPC ..... **D14/214**; D14/216

(57)

**CLAIM**

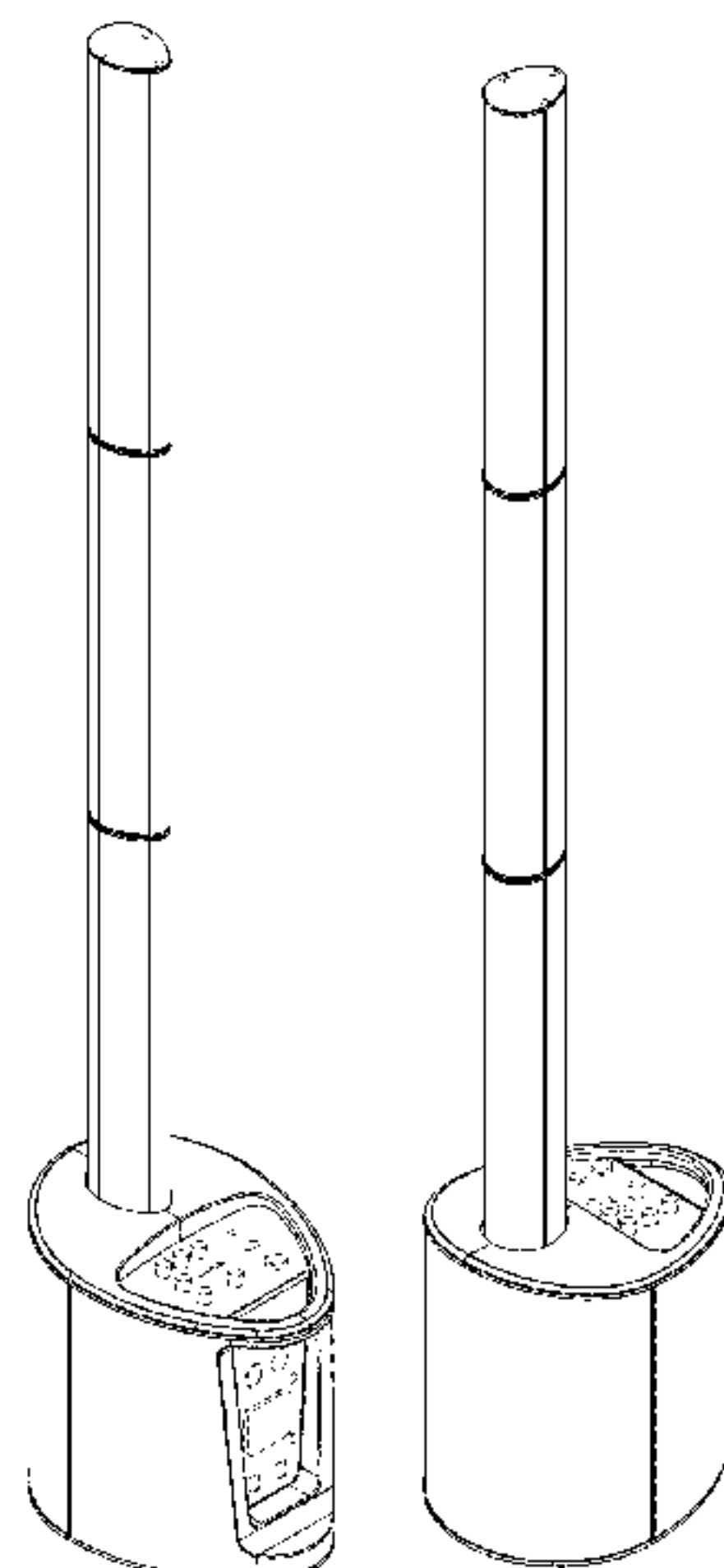
The ornamental design for a loudspeaker, as shown and described.

(58) **Field of Classification Search**  
USPC ..... D14/167, 168, 170–172, 188, 194–196,  
D14/204, 207, 209.1, 210–216, 219, 221,  
D14/222, 224, 239, 496; 181/143, 144,  
181/147, 148, 150, 153, 157, 198, 199;  
381/300–303, 306, 332, 333, 336, 345,  
381/361–364, 386–388; 369/6–12  
CPC ..... B60R 11/0217; G06F 1/1688; G10K 9/22;  
G10K 11/004; H03F 1/327; H04M 1/03;  
H04M 1/035; H04N 5/642; H04N  
21/4852; H04R 1/02; H04R 1/06; H04R

**DESCRIPTION**

FIG. 1 is a left perspective view of the loudspeaker showing the new design;  
FIG. 2 is a right perspective view thereof;  
FIG. 3 is a rear perspective view thereof;  
FIG. 4 is a front elevation view thereof;  
FIG. 5 is a right elevation view thereof;  
FIG. 6 is a left elevation view thereof;  
FIG. 7 is a top plan view thereof; and,  
FIG. 8 is a bottom plan view thereof.

(Continued)



The broken lines shown in the drawings represent unclaimed portions of the loudspeaker and form no part of the claimed design.

**1 Claim, 8 Drawing Sheets**

(58) **Field of Classification Search**

CPC ..... H04R 1/2803; H04R 1/2834; H04R 5/02;  
 H04R 7/20; H04R 9/06; H04R 9/025;  
 H04R 2201/021; H04R 2400/00; H04R  
 2400/07; H04R 2499/11; H04R 2499/13;  
 H04R 2499/15; H04S 3/00; H04S 7/30

See application file for complete search history.

(56) **References Cited**

U.S. PATENT DOCUMENTS

5,734,728	A	3/1998	Meissner	
5,996,728	A	12/1999	Stark	
D439,237	S	3/2001	Felix et al.	
D483,026	S	12/2003	Koskinen	
D525,615	S	7/2006	Tanaka et al.	
7,261,180	B1	8/2007	Faranda et al.	
D568,293	S	5/2008	Sawhney et al.	
D568,294	S	5/2008	Sawhney et al.	
7,516,932	B2	4/2009	Engbretson et al.	
D591,724	S	5/2009	Davies et al.	
D596,157	S *	7/2009	Warden .....	D14/211
D609,216	S	2/2010	Davies et al.	
D613,268	S	4/2010	Chen	
D629,827	S	12/2010	Morenstein et al.	
D636,379	S *	4/2011	Kim .....	D14/211
D637,580	S	5/2011	Aranda, Jr. et al.	
D638,400	S	5/2011	Hawkins et al.	
D642,555	S	8/2011	Hawkins et al.	
D654,474	S	2/2012	Hawkins et al.	

D659,675	S *	5/2012	Kim .....	D14/211
D670,266	S	11/2012	Swendseid	
D674,766	S	1/2013	Desrosiers	
D675,188	S	1/2013	Hawkins et al.	
D676,827	S	2/2013	Desrosiers	
D690,280	S	9/2013	Schul	
D692,864	S	11/2013	Givre et al.	
D701,853	S	4/2014	Wilson	
D705,191	S	5/2014	Boudreau et al.	
D705,754	S	5/2014	Boudreau et al.	
D712,878	S	9/2014	Azumi	
D716,764	S	11/2014	Jeon et al.	
D727,292	S	4/2015	Anthony et al.	
D727,874	S	4/2015	Christner	
D733,680	S	7/2015	Nugent	
D741,296	S *	10/2015	Park .....	D14/207
D743,378	S *	11/2015	Kim .....	D14/213
D752,023	S *	3/2016	Lee .....	D14/216
D754,628	S	4/2016	Baird et al.	
D762,618	S	8/2016	Lawrence et al.	
D763,818	S	8/2016	Yang	
D764,438	S	8/2016	Pobeda	
D764,444	S	8/2016	Sulzer et al.	
D776,638	S	1/2017	Pietschmann et al.	
D788,065	S *	5/2017	Sabatino .....	D13/139.4
2002/0121847	A1	9/2002	Christner	
2009/0110228	A1	4/2009	Chien et al.	
2011/0305362	A1	12/2011	Mcghee et al.	
2014/0270324	A1	9/2014	Redmond et al.	
2015/0289050	A1	10/2015	Butler et al.	
2016/0127817	A1	5/2016	MacDonald	
2016/0192046	A1	6/2016	Pietschmann	
2017/0171649	A1 *	6/2017	Pietschmann .....	H04R 1/025

FOREIGN PATENT DOCUMENTS

FR	2520573	7/1983
WO	WO 92/16081	9/1992

\* cited by examiner

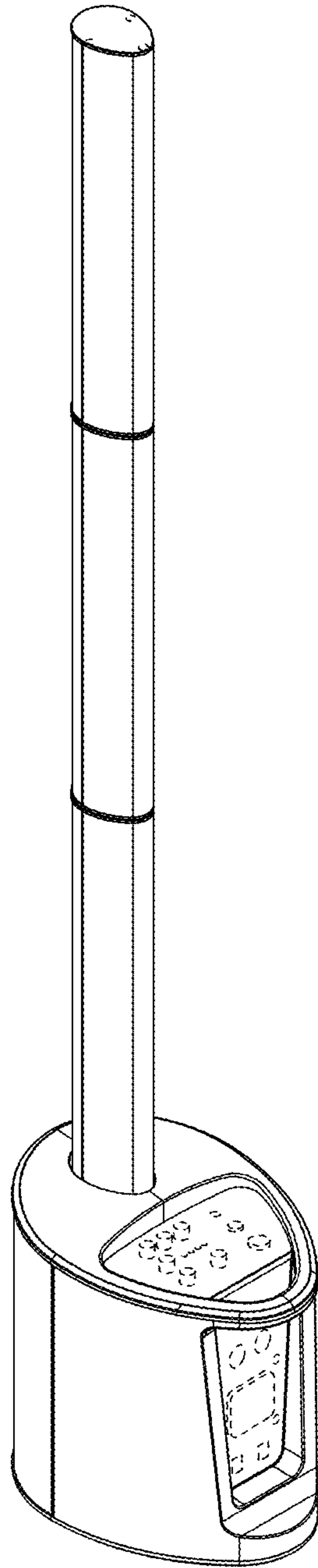


FIG.1

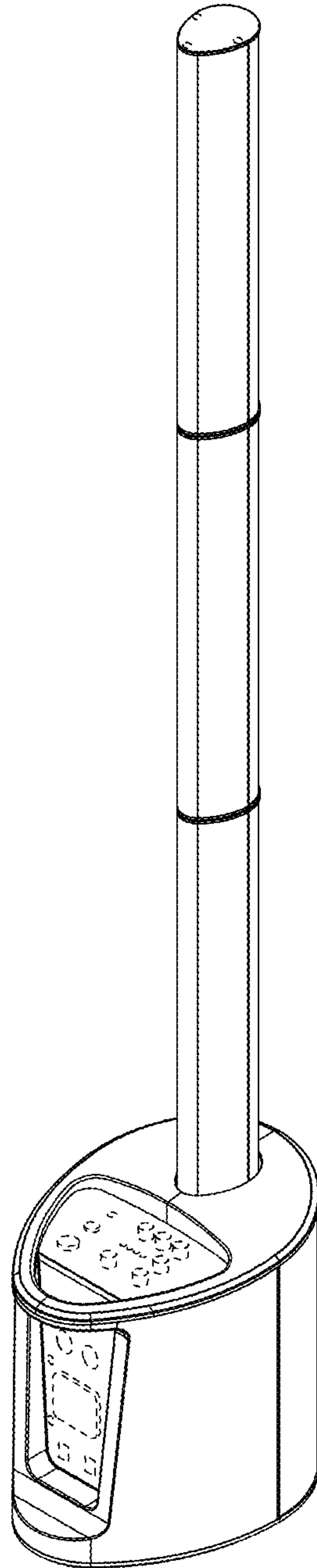


FIG.2

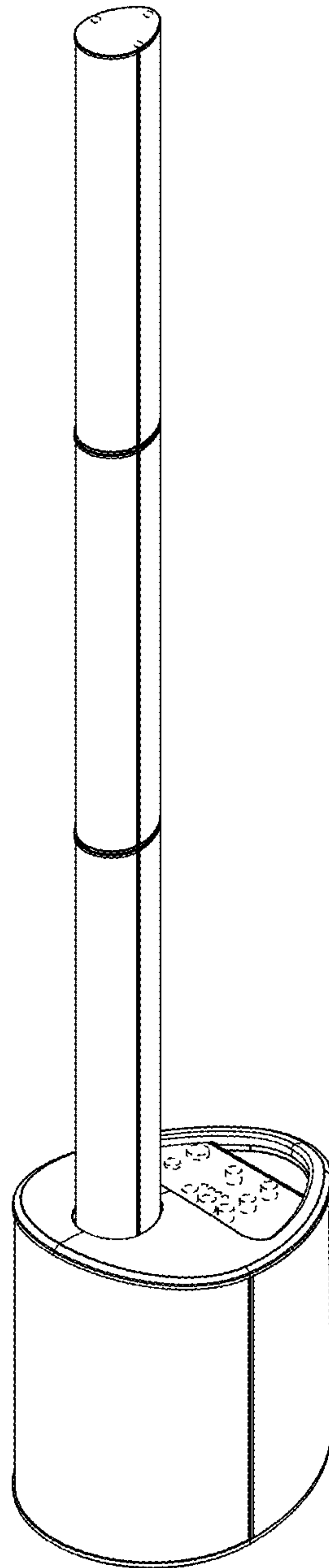


FIG.3

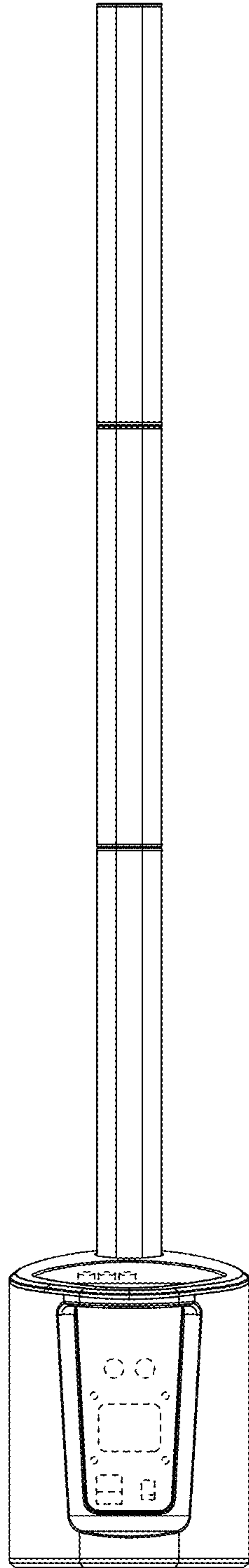


FIG.4

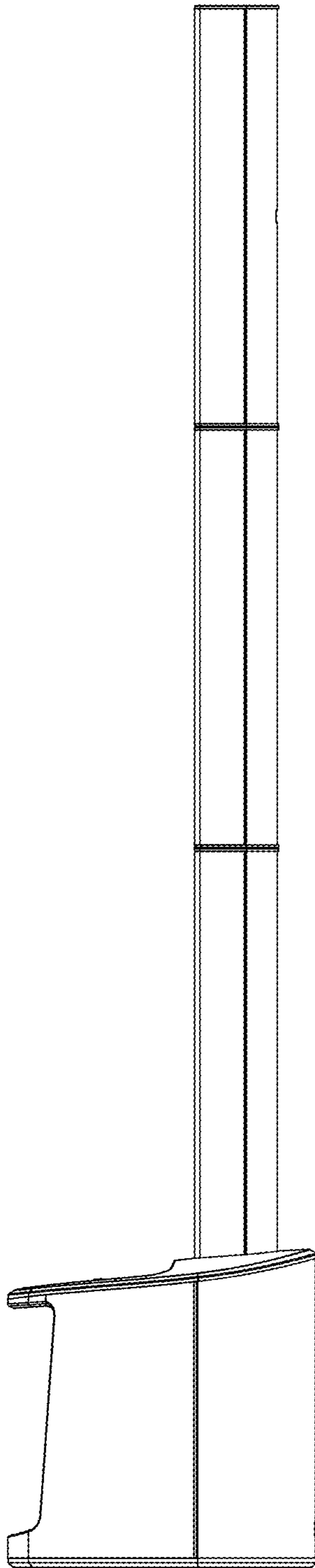


FIG.5



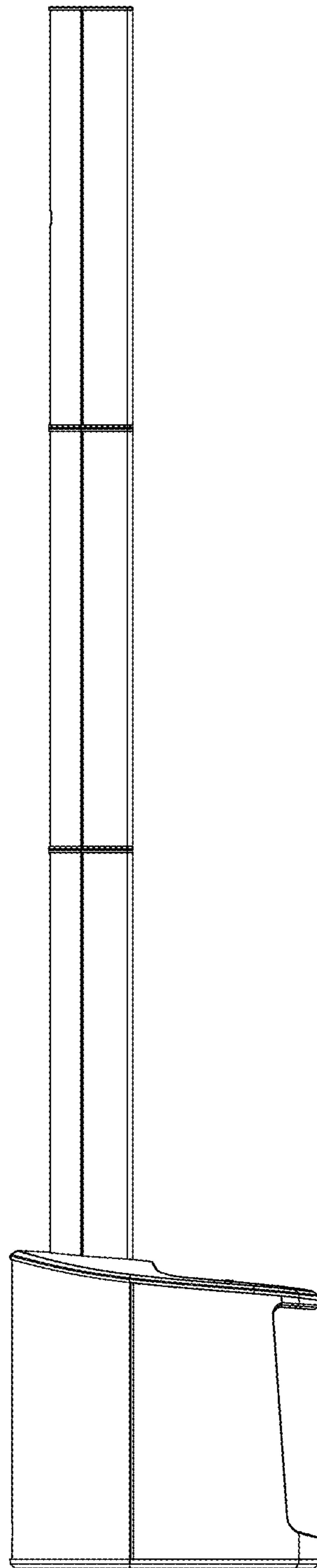


FIG. 6



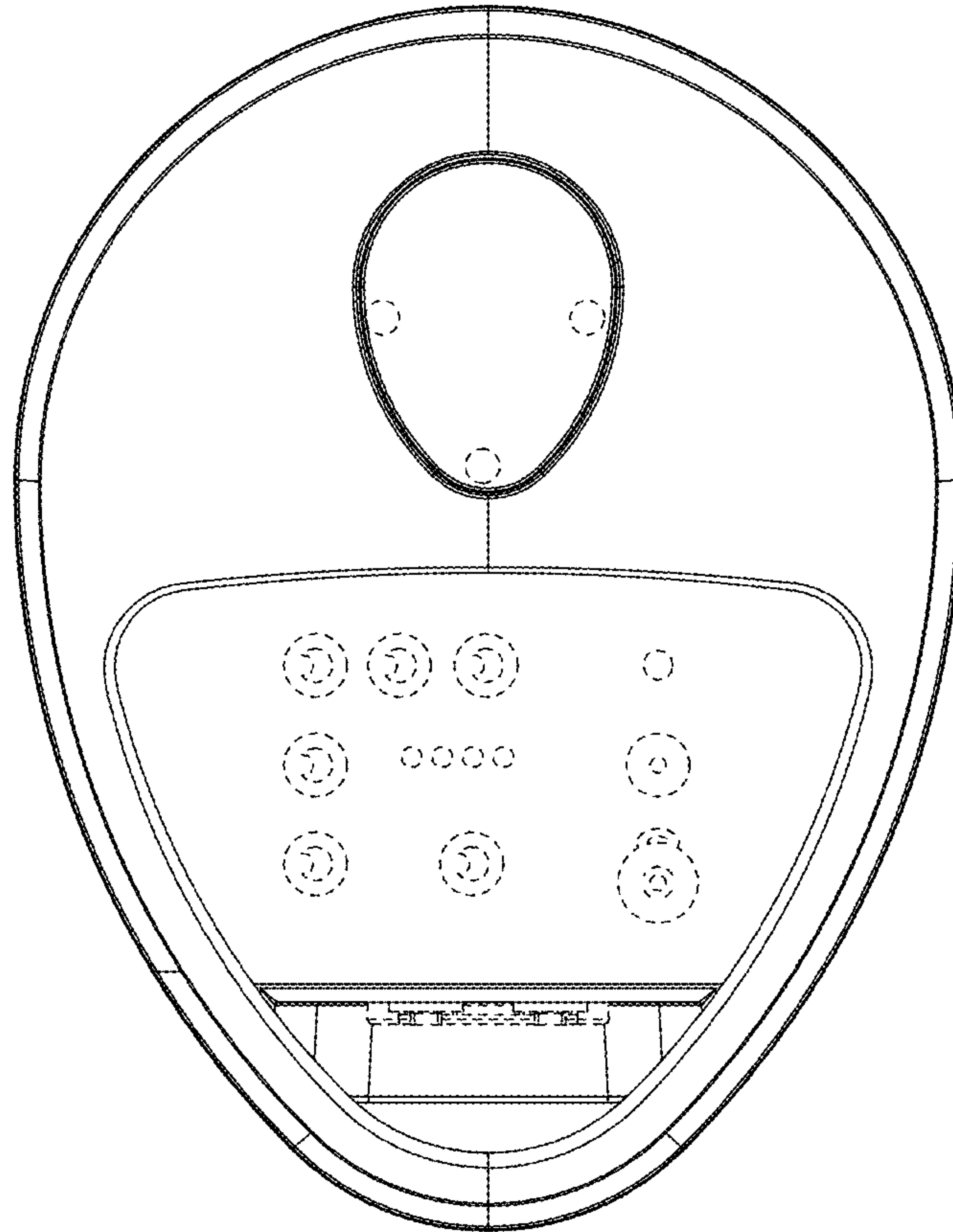


FIG.7

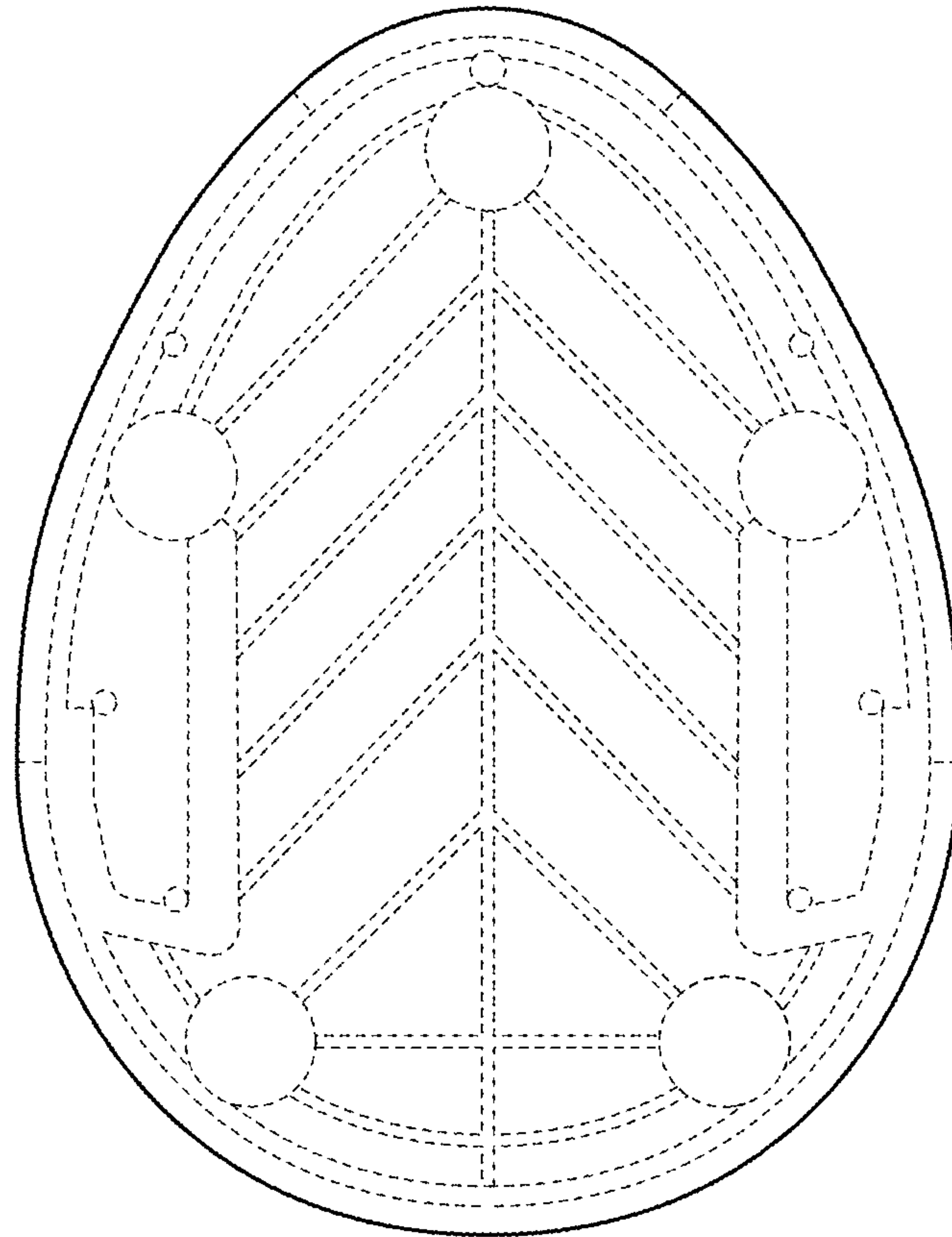


FIG. 8