



US00D813836S

(12) **United States Design Patent**
Suzuki

(10) **Patent No.:** **US D813,836 S**
(45) **Date of Patent:** **** Mar. 27, 2018**

(54) **AUDIO AMPLIFIER FOR AUTOMOBILE**

(71) Applicant: **JVC KENWOOD CORPORATION**,
Kanagawa (JP)

(72) Inventor: **Yasuhiro Suzuki**, Kanagawa (JP)

(73) Assignee: **JVC KENWOOD CORPORATION**,
Kanagawa (JP)

(**) Term: **15 Years**

(21) Appl. No.: **29/566,442**

(22) Filed: **May 31, 2016**

(51) **LOC (11) Cl.** **14-03**

(52) **U.S. Cl.**
USPC **D14/188**

(58) **Field of Classification Search**

USPC D14/168, 188, 194, 195, 196, 204, 210,
D14/211, 212, 213, 214, 215, 216, 157,
D14/221, 222, 223, 224, 217, 257, 258
CPC ... B60R 11/0217; B60R 11/02; G06F 1/1688;
G10K 9/22; G10K 11/004; H03F 1/327;
H04M 1/03; H04M 1/035; H04N 5/642;
H04N 21/4852; H04S 3/00; H04S 7/30;
H04R 1/02; H04R 1/06; H04R 1/021;
H04R 1/025; H04R 1/026; H04R 1/028;
H04R 1/105; H04R 1/323; H04R 1/403;
H04R 1/2803; H04R 1/2834; H04R 5/02;
H04R 7/20; H04R 9/06; H04R 9/025;
H04R 2201/021; H04R 2400/00; H04R
2400/07; H04R 2499/11; H04R 2499/13;
H04R 2499/15

See application file for complete search history.

(56) **References Cited**

U.S. PATENT DOCUMENTS

D210,287 S * 2/1968 Venema 138/155
D248,951 S * 8/1978 Imazeki D14/197
D260,762 S * 9/1981 Peroni D10/103

D269,345 S * 6/1983 Payne, Jr. D14/242
D270,153 S * 8/1983 Scholz D14/221
D278,999 S * 5/1985 Zimmerman D13/184
D310,510 S * 9/1990 Bezos D13/128
D325,902 S * 5/1992 Hudson D13/162
D331,394 S * 12/1992 Kobayashi D14/242
D332,443 S * 1/1993 Sharpe D13/184
D346,607 S * 5/1994 Bhargava D14/242
D349,119 S * 7/1994 Eberle D14/188
D353,598 S * 12/1994 Brandt D14/242
D368,085 S * 3/1996 Mittal D14/125
D368,429 S * 4/1996 Serio, Jr. D13/184

(Continued)

OTHER PUBLICATIONS

Wire Realm—10 Best Amplifiers, announced Jun. 12, 2016
[online]. [site visited Aug. 18, 2017]. Available from internet, URL:
<<http://www.wirerealm.com/guides/top-10-best-car-amplifiers>>.*

(Continued)

Primary Examiner — Keli L Hill

Assistant Examiner — Karra S Johnson

(74) *Attorney, Agent, or Firm* — Osha Liang LLP

(57) **CLAIM**

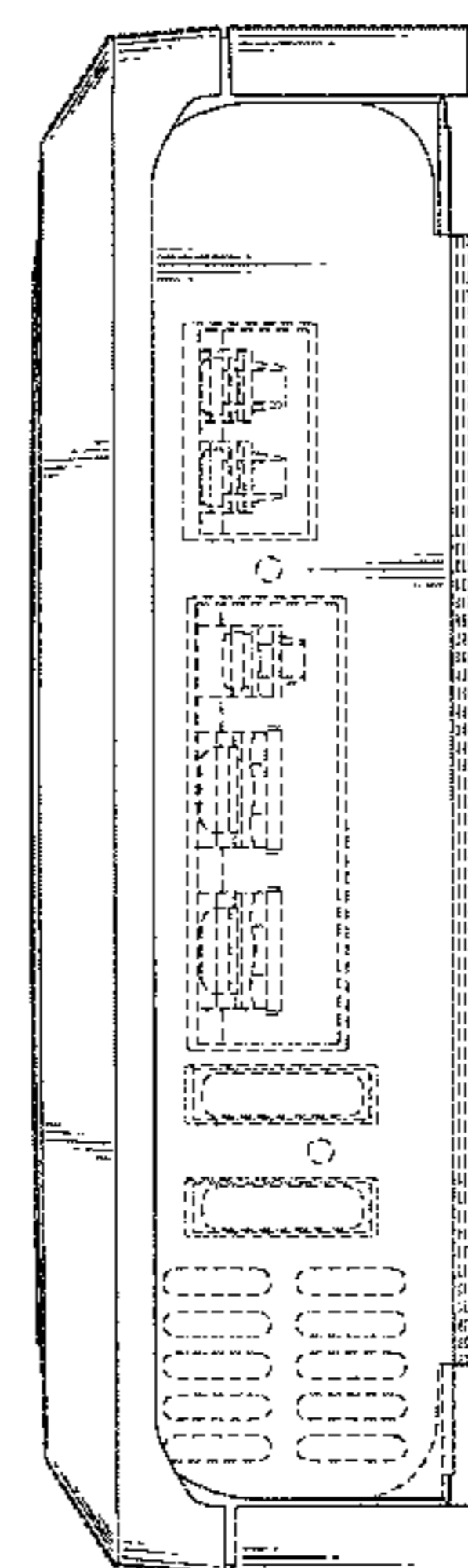
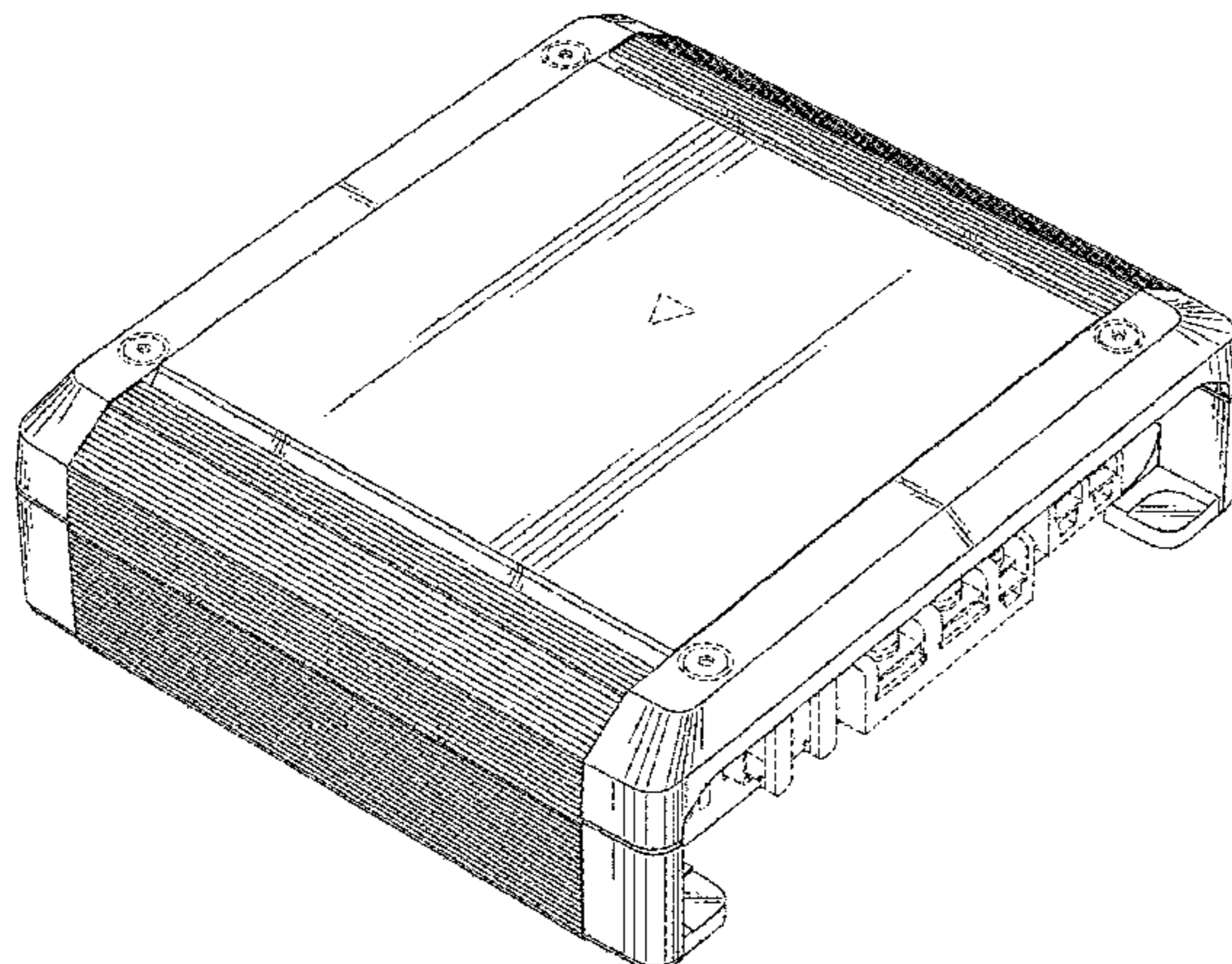
The ornamental design for an audio amplifier for automo-
bile, as shown and described.

DESCRIPTION

FIG. 1 is a perspective view of front, top and right side of
an audio amplifier for automobile showing my new design;
FIG. 2 is a front view thereof;
FIG. 3 is a top view thereof;
FIG. 4 is a bottom view thereof;
FIG. 5 is a right side view thereof; and,
FIG. 6 is a left side view thereof.

The broken lines are for the purpose of illustrating portions
of the audio amplifier for automobile and form no part of the
claimed design.

1 Claim, 4 Drawing Sheets



(56)

References Cited

U.S. PATENT DOCUMENTS

D405,766 S * 2/1999 Hartel D13/184
 D408,812 S * 4/1999 Danis D14/137
 D415,157 S * 10/1999 Rabbani D14/188
 D416,904 S * 11/1999 Rabbani D14/188
 D427,978 S * 7/2000 Kabat D13/184
 D430,873 S * 9/2000 Parker D12/400
 D520,997 S * 5/2006 Lee D14/356
 D551,621 S * 9/2007 Iacovelli D13/110
 D573,979 S * 7/2008 Barnett D14/214
 D588,097 S * 3/2009 Tanaka D14/188
 D610,125 S * 2/2010 Ichikawa D14/188
 D656,121 S * 3/2012 Sugita D14/188
 D665,377 S * 8/2012 Endo D14/188
 D666,166 S * 8/2012 Harada D14/188
 D699,211 S * 2/2014 Koiwa D14/188
 D704,184 S * 5/2014 Chen D14/308
 D712,869 S * 9/2014 Muramoto D14/188
 D716,730 S * 11/2014 Liu D13/110
 D727,870 S * 4/2015 Muramoto D14/188

D758,336 S * 6/2016 Kelly D14/204
 D766,223 S * 9/2016 Chen D14/240
 9,452,714 B2 * 9/2016 Emslie B60R 11/02
 D789,931 S * 6/2017 Drew D14/357
 9,705,550 B2 * 7/2017 Restivo H04B 1/3888
 D801,298 S * 10/2017 Katsuno D14/157
 9,820,052 B2 * 11/2017 Mao H04R 9/025
 2005/0243534 A1 * 11/2005 Robertson G06F 1/184
 361/801
 2006/0274910 A1 * 12/2006 Schul H04R 5/02
 381/334
 2017/0034628 A1 * 2/2017 Mao H04R 9/025

OTHER PUBLICATIONS

Amazon—Car Amplifier, announced May 26, 2015 [online, dated via reviews], [site visited Aug. 18, 2017]. Available from internet, URL: <<https://www.amazon.com/REAudio-BT900-4-4-Channel-Bluetooth-Amplifier/dp/B00L4K0CTY>>.*

* cited by examiner

FIG. 1

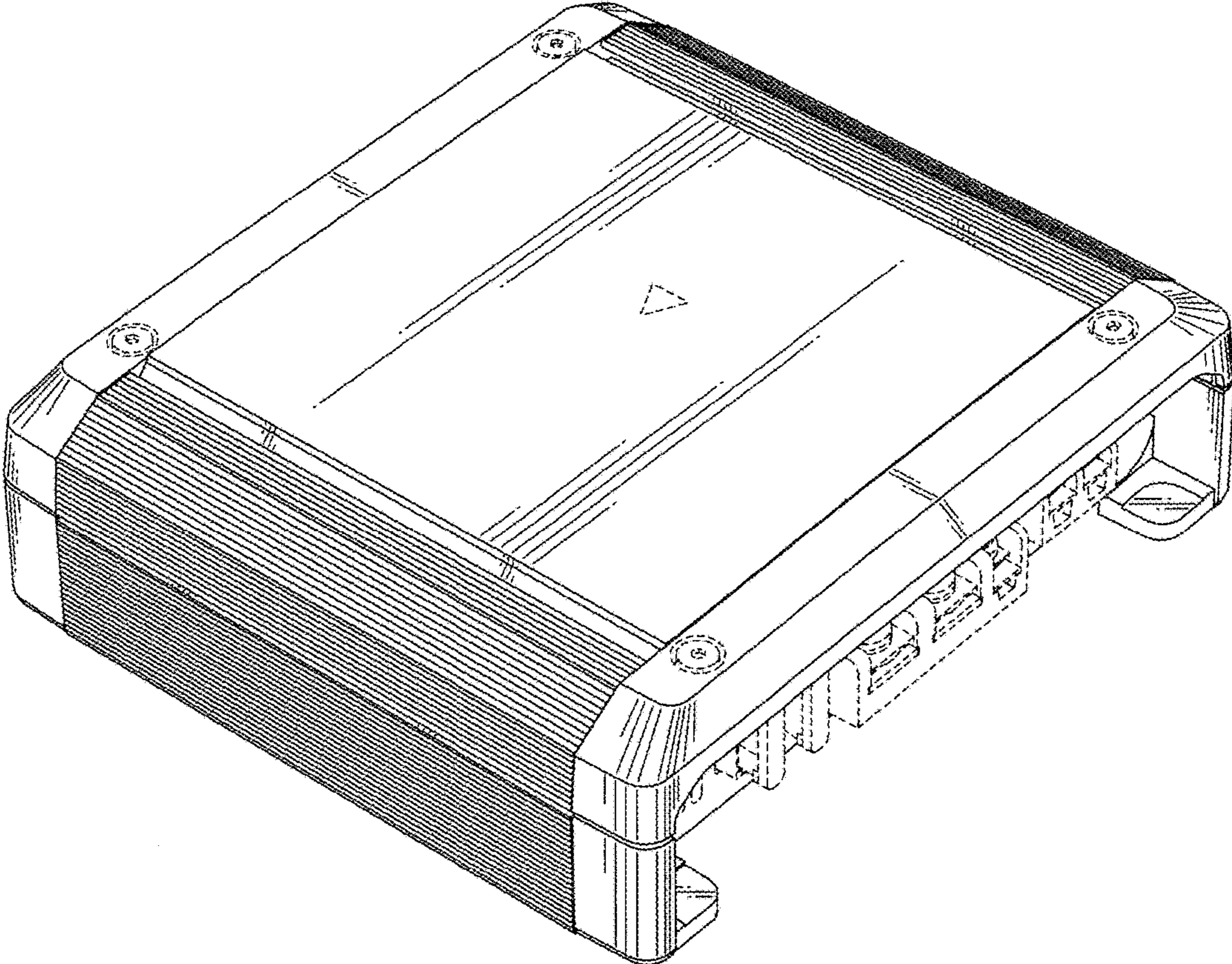


FIG. 2

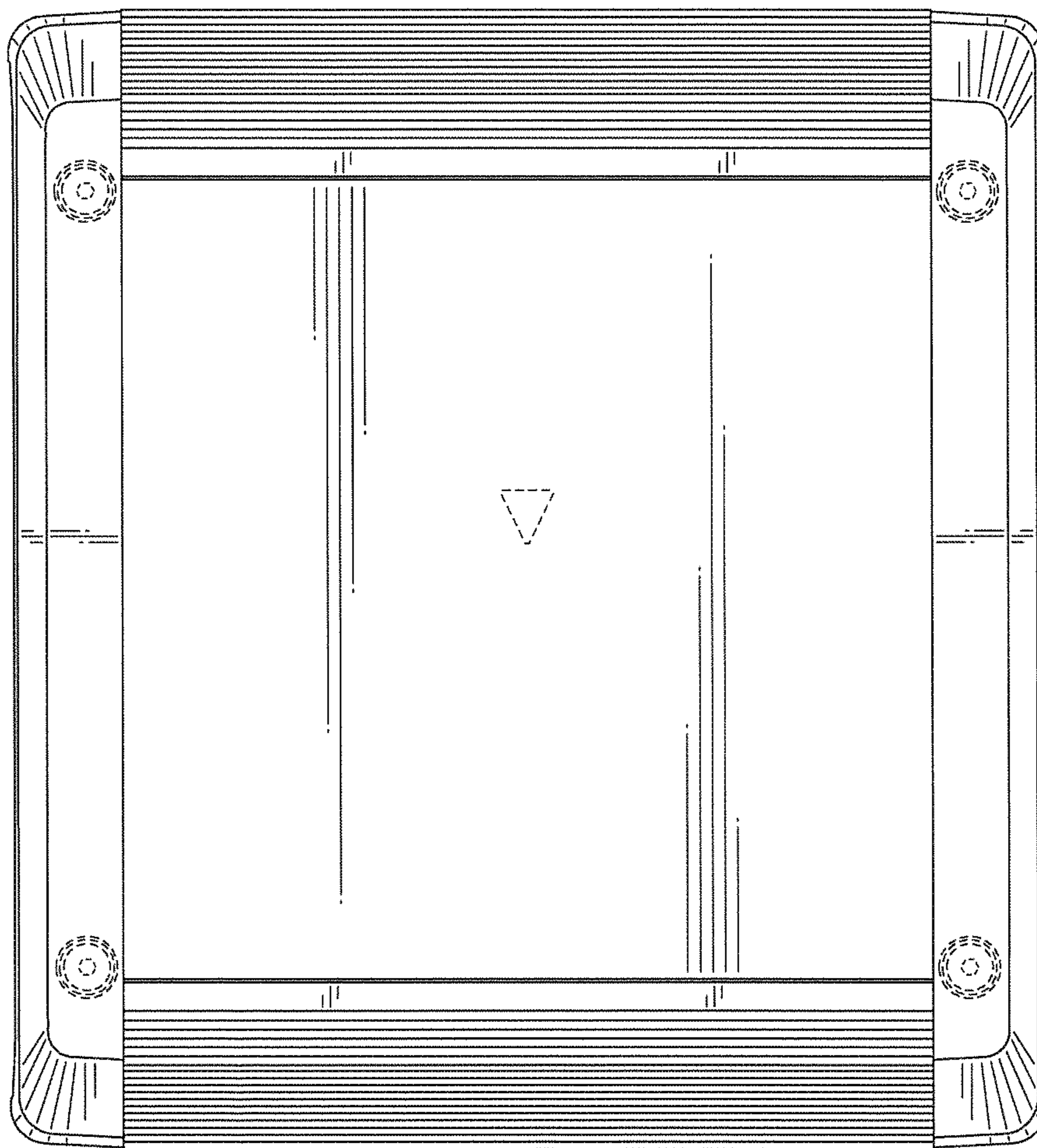


FIG. 3

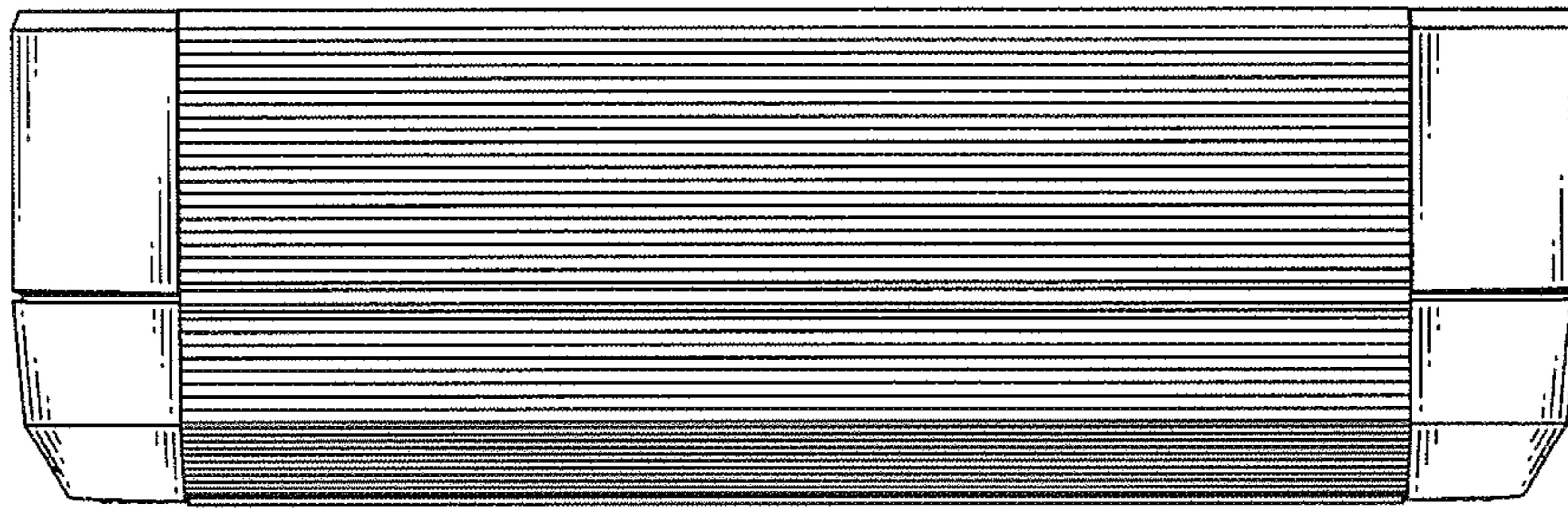


FIG. 4

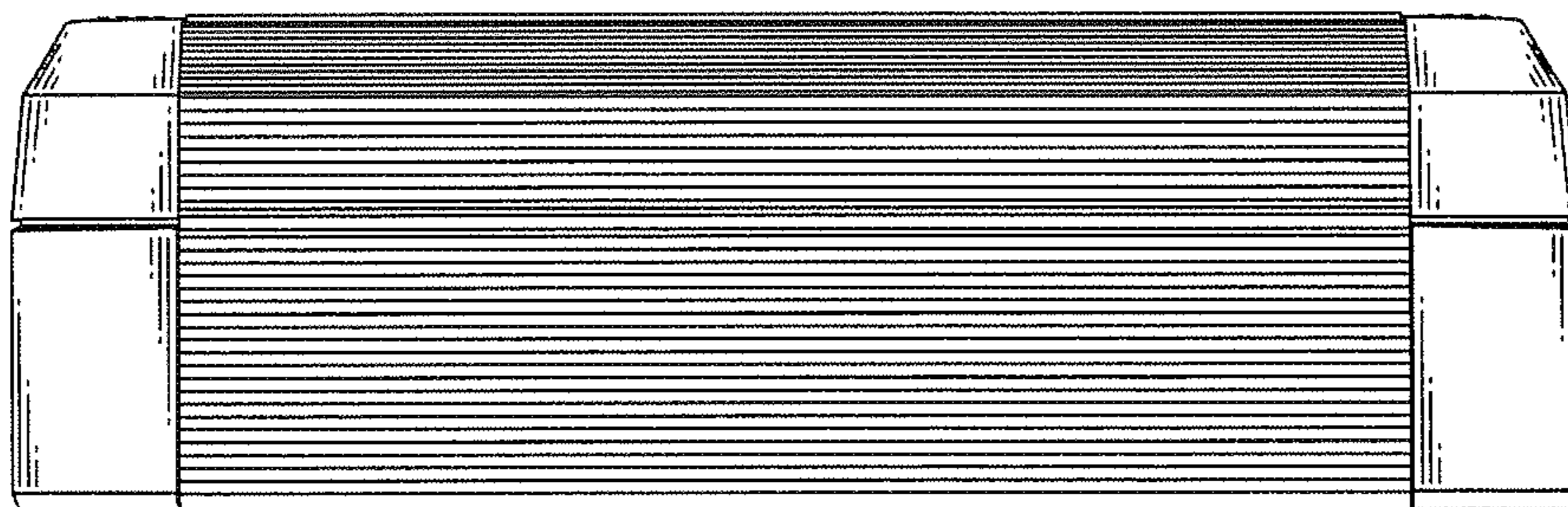


FIG. 5

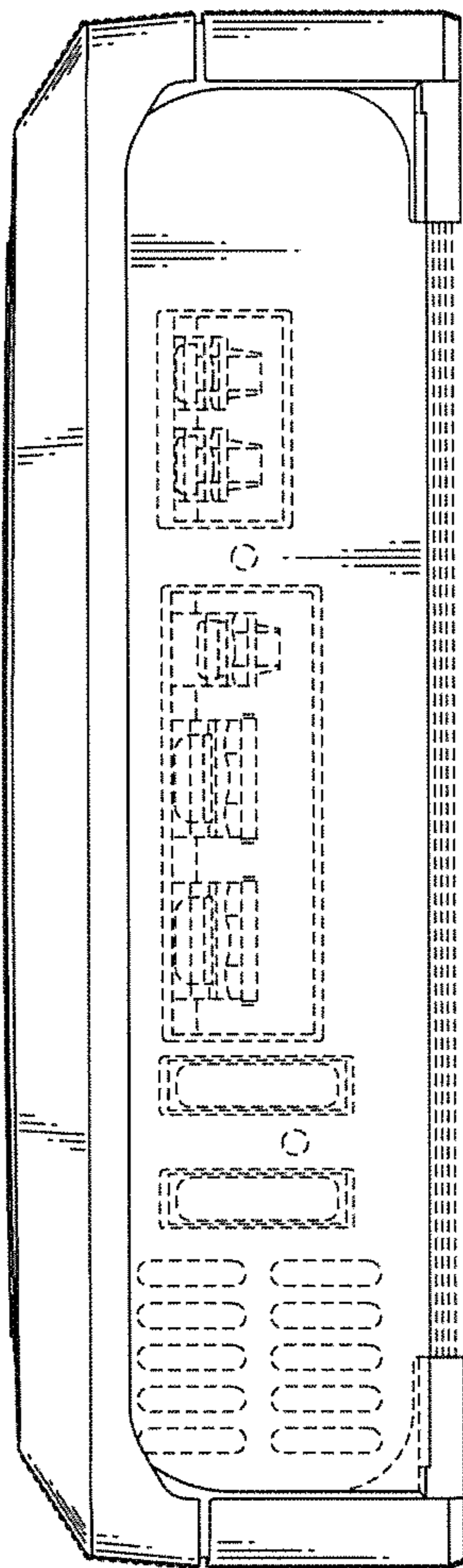


FIG. 6

