



US00D813834S

(12) **United States Design Patent**
Won et al.

(10) **Patent No.:** **US D813,834 S**

(45) **Date of Patent:** **** *Mar. 27, 2018**

(54) **TELEVISION RECEIVER**

5/0004; H05K 5/0017; H05K 5/02; H05K
5/0217; H04N 13/0459

(71) Applicant: **LG ELECTRONICS INC.**, Seoul
(KR)

See application file for complete search history.

(72) Inventors: **Hyojin Won**, Seoul (KR); **Yongho Lee**,
Seoul (KR)

(56) **References Cited**

U.S. PATENT DOCUMENTS

(73) Assignee: **LG Electronics Inc.**, Seoul (KR)

D699,280 S *	2/2014	Lim	D16/241
D703,201 S *	4/2014	Tian	D14/315
D709,842 S *	7/2014	Lee	D14/126
D709,844 S *	7/2014	Kim	D14/126
D710,842 S *	8/2014	Ho	D14/341
D726,666 S *	4/2015	Hwangbo	D14/126
D729,184 S *	5/2015	Huang	D14/126
D732,490 S *	6/2015	Kim	D14/126
D737,235 S *	8/2015	Kim	D14/126
D737,790 S *	9/2015	Cha	D14/126
D738,336 S *	9/2015	Hwangbo	D14/126

(*) Notice: This patent is subject to a terminal dis-
claimer.

(**) Term: **15 Years**

(21) Appl. No.: **35/501,346**

(22) Filed: **Feb. 3, 2016**

(Continued)

(80) **Hague Agreement Data**

Int. Filing Date: **Feb. 3, 2016**

Int. Reg. No.: **DM/090824**

Int. Reg. Date: **Feb. 3, 2016**

Int. Reg. Pub. Date: **Aug. 5, 2016**

Primary Examiner — Mary Ann Calabrese

Assistant Examiner — Jennifer L Rempfer

(74) *Attorney, Agent, or Firm* — Birch, Stewart, Kolasch
& Birch, LLP

(30) **Foreign Application Priority Data**

Aug. 5, 2015 (KR) 30-2015-0039670

(51) **LOC (11) Cl.** **14-03**

(52) **U.S. Cl.**
USPC **D14/126**

(58) **Field of Classification Search**

USPC D14/125-134, 159, 239, 341, 342, 346,
D14/347, 336, 371, 374-377, 420, 426,
D14/440, 448, 450, 496, 138 R, 138 AA,
D14/138 G, 147, 203.1-203.7, 247, 388,
D14/389; D6/300-310; D16/241;
D20/10, 15, 17, 19, 39; D21/329, 333,
D21/331, 332; D10/1, 30, 40

CPC .. G06F 1/1613; G06F 3/04883; G06F 1/1647;
G06F 3/04845; G06F 1/1601; G06F
1/1643; A63H 33/3016; H04M 1/0279;
H04M 1/0281; H04M 1/0283; H05K

(57) **CLAIM**

The ornamental design for a television receiver, as shown
and described.

DESCRIPTION

1. Television receiver

1.1 : Perspective

1.2 : Front

1.3 : Back

1.4 : Left

1.5 : Right

1.6 : Top

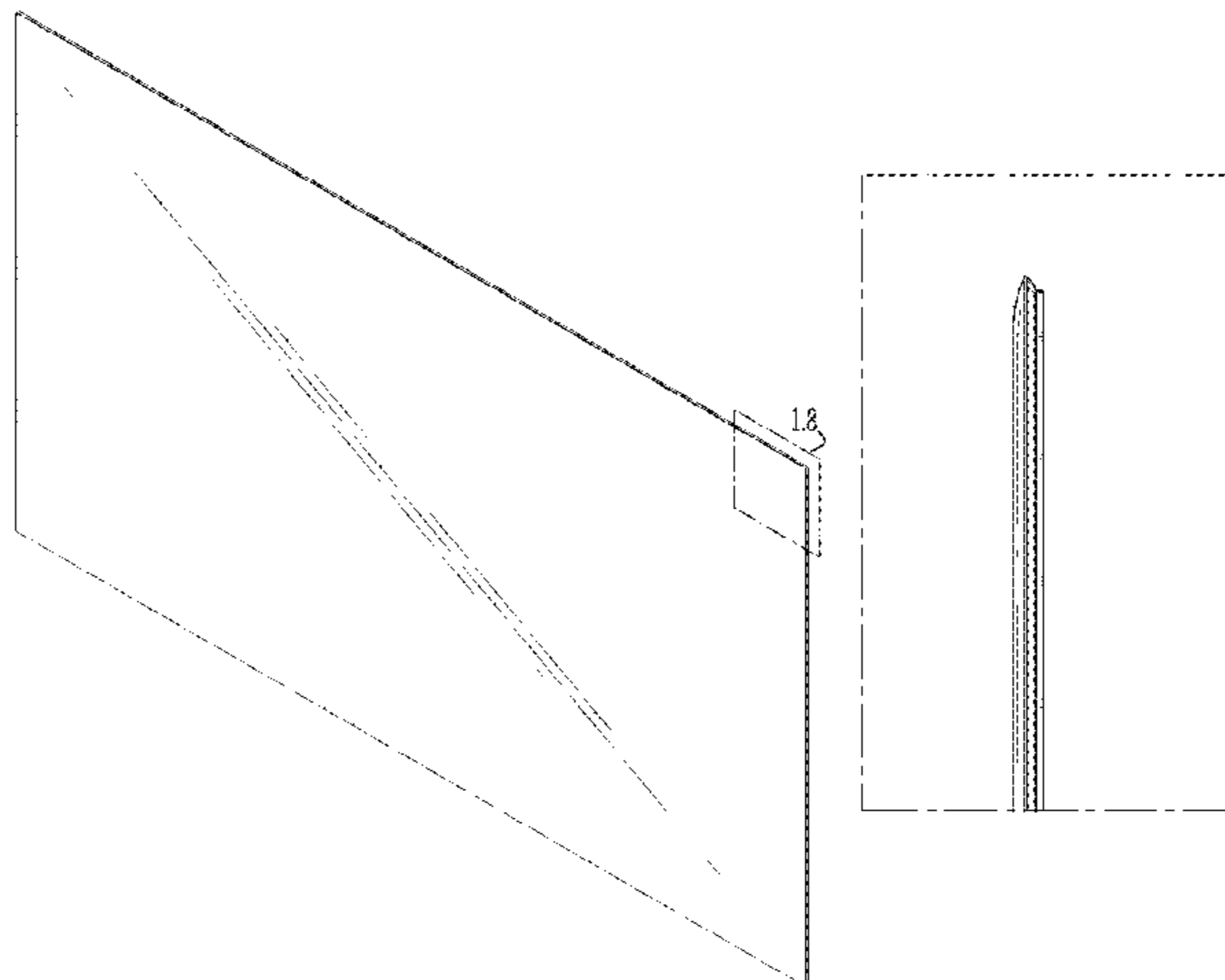
1.7 : Bottom

1.8 : Enlarged

1.9 : Enlarged

The dash-dot broken lines of figures 1.1, 1.4, 1.8 and 1.9 are
included to show partially enlarged views only and form no
part of the claimed design.

1 Claim, 8 Drawing Sheets



(56)

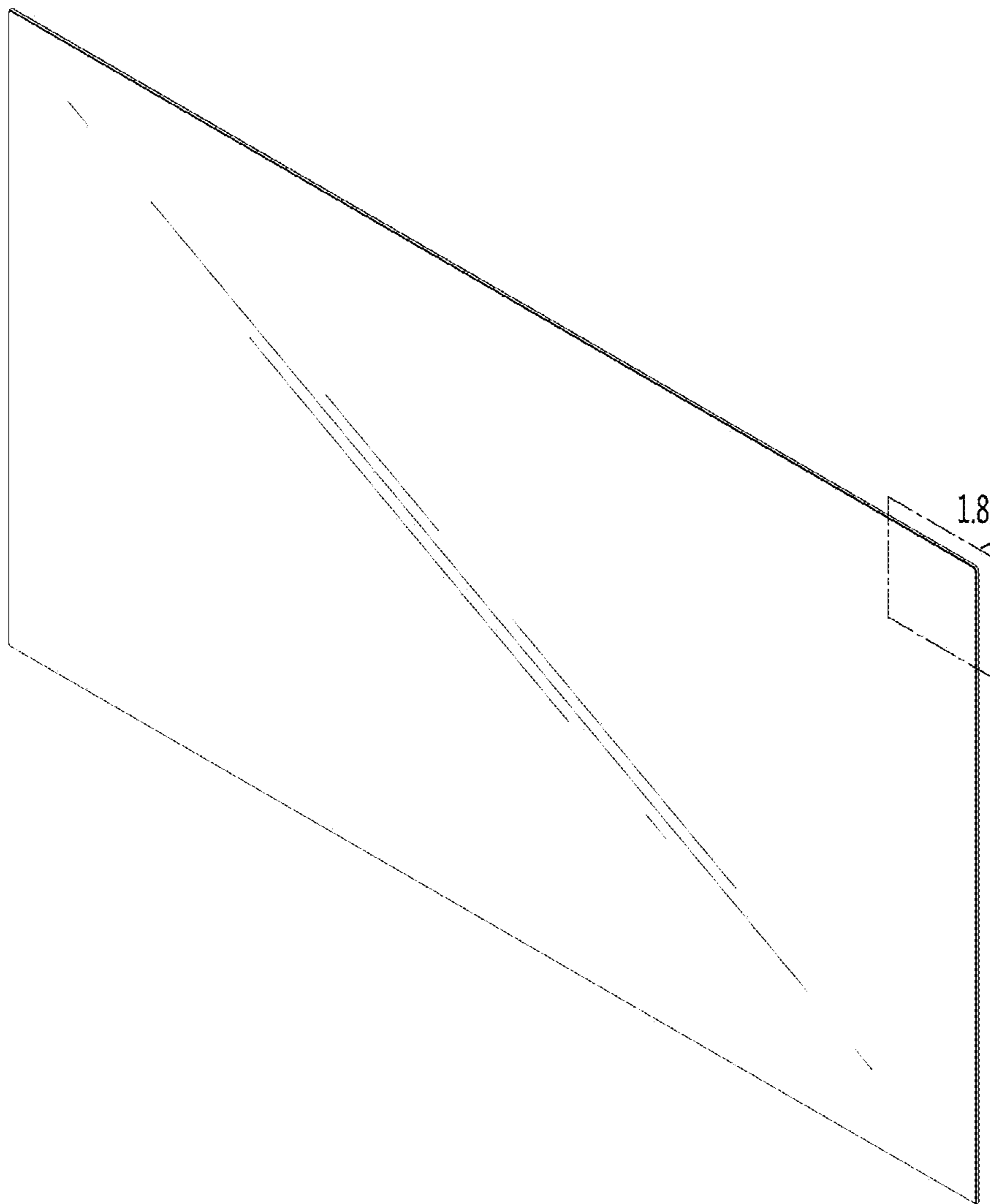
References Cited

U.S. PATENT DOCUMENTS

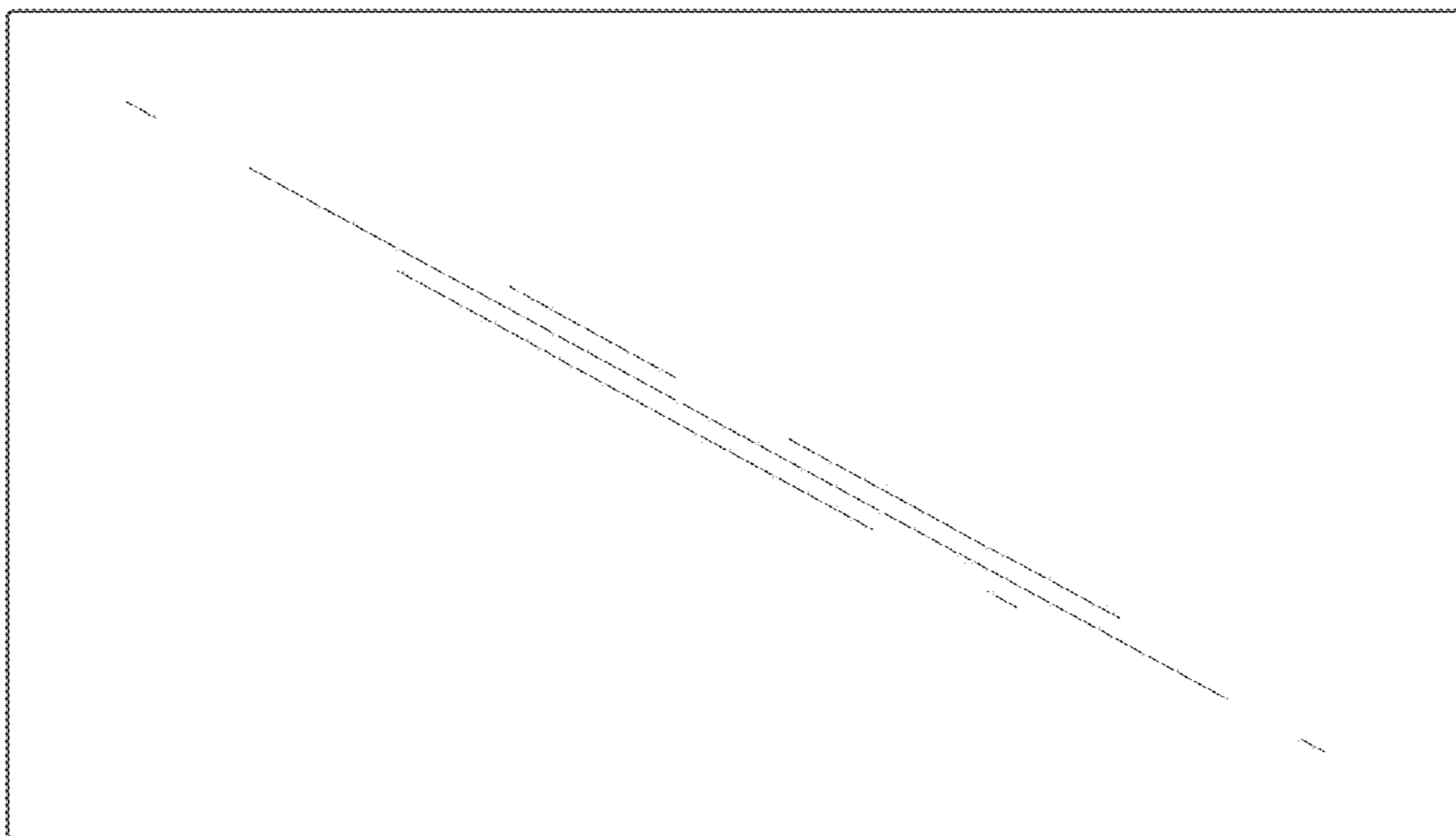
D741,828 S	*	10/2015	Shin	D14/126
D741,854 S	*	10/2015	Daniel	D14/341
D742,343 S	*	11/2015	Moon	D14/126
D742,344 S	*	11/2015	Kim	D14/126
D743,360 S	*	11/2015	Kim	D14/126
D744,443 S	*	12/2015	Kim	D14/126
D746,243 S	*	12/2015	Gao	D14/126
D749,532 S	*	2/2016	McManigal	D14/126
D753,088 S	*	4/2016	Wu	D14/138 G
D754,086 S	*	4/2016	Valeur	D14/126
D758,982 S	*	6/2016	Moon	D14/126
D763,252 S	*	8/2016	Lee	D14/341
D765,597 S	*	9/2016	Kim	D13/108
D769,240 S	*	10/2016	Yu	D14/336

* cited by examiner

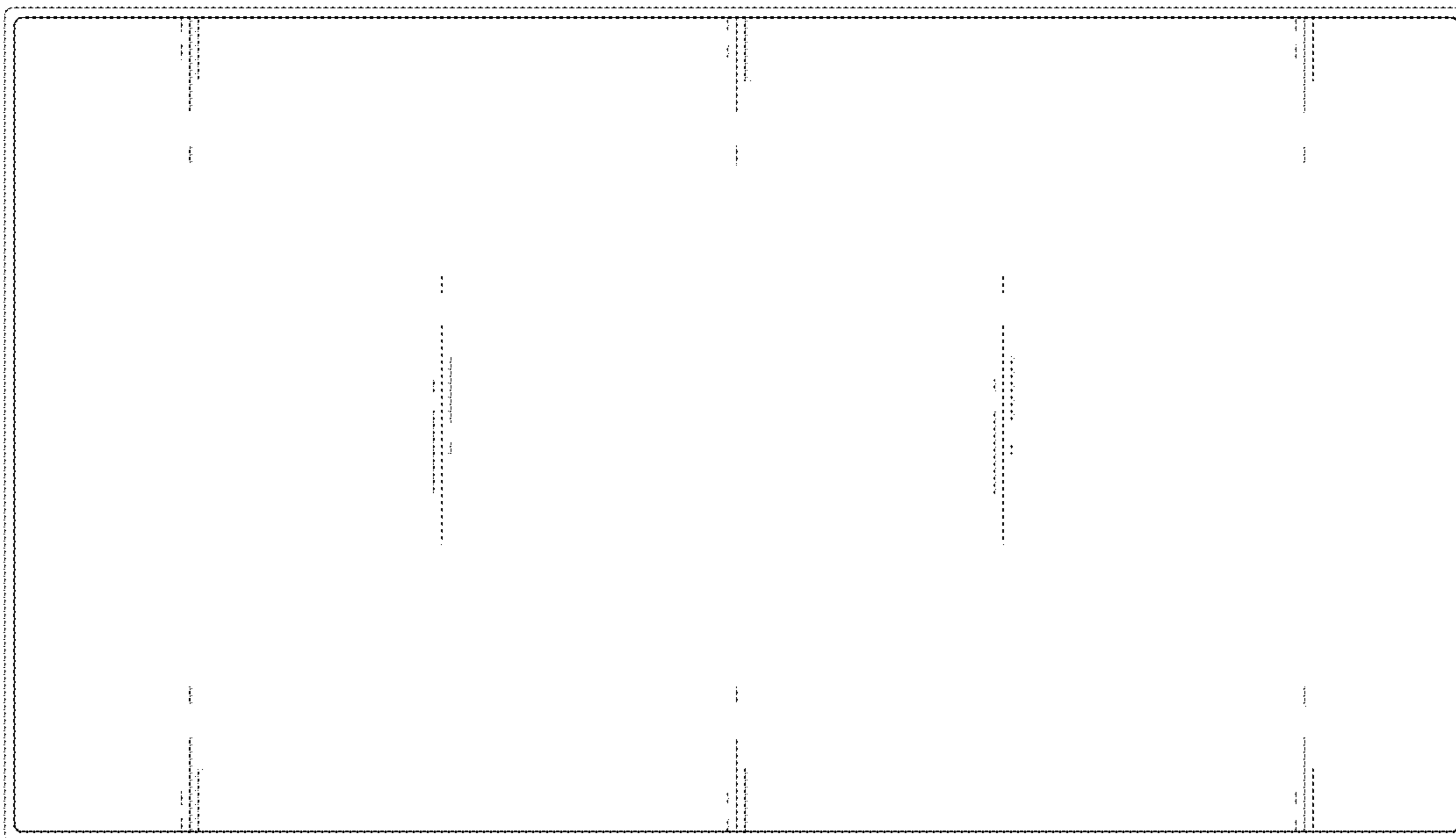
1.1



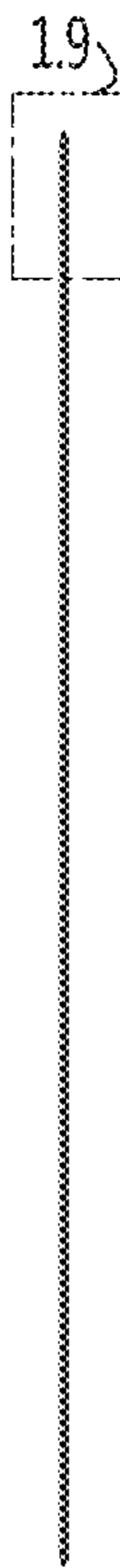
1. 2



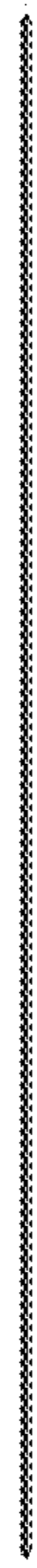
1.3



1.4



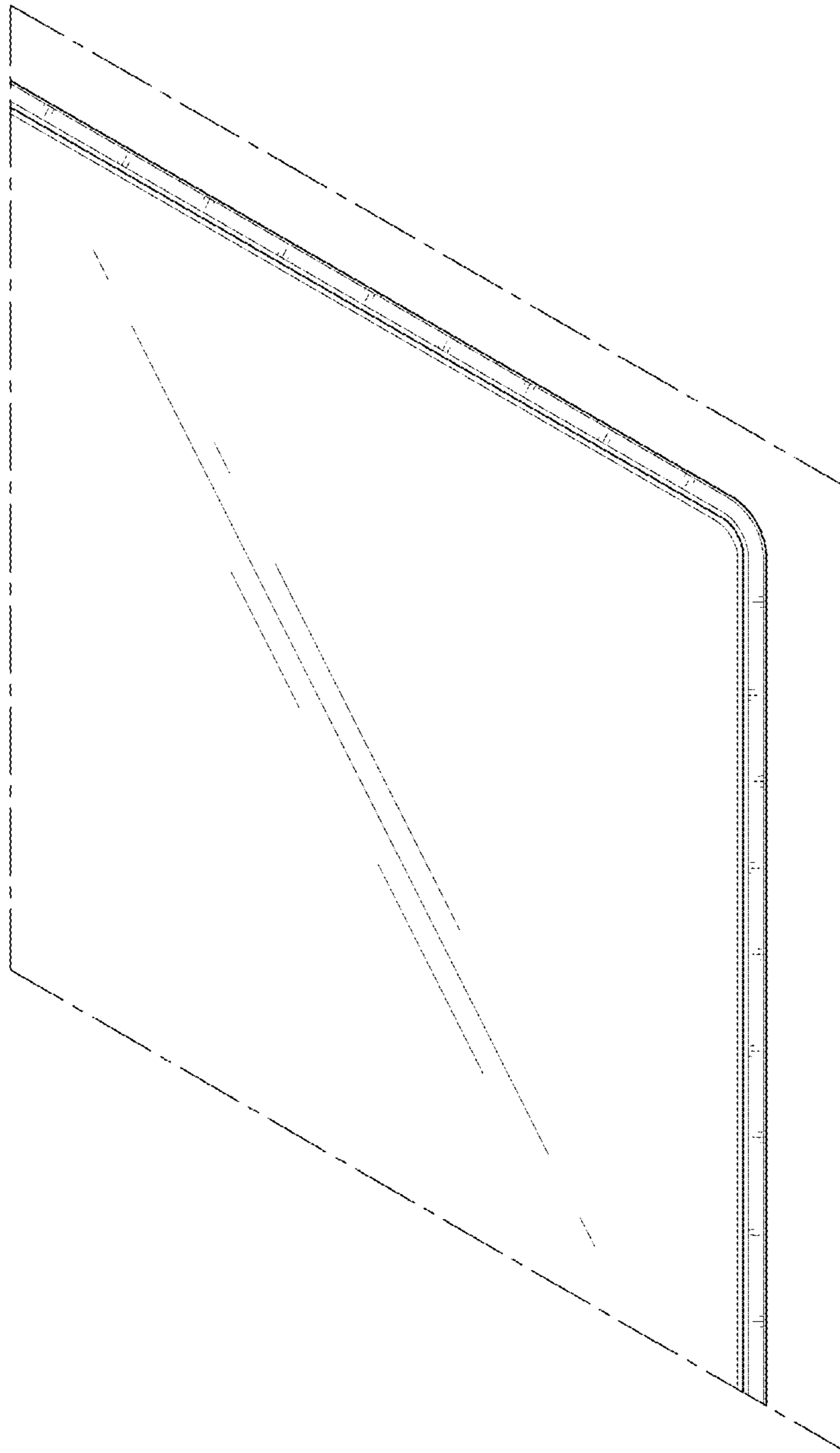
1.5



1.6

1.7

1.8



1.9

