



US00D813833S

(12) **United States Design Patent**
Won et al.

(10) **Patent No.:** **US D813,833 S**

(45) **Date of Patent:** **** *Mar. 27, 2018**

(54) **TELEVISION RECEIVER**

5/0004; H05K 5/0017; H05K 5/02; H05K
5/0217; H04N 13/0459

(71) Applicant: **LG ELECTRONICS INC.**, Seoul
(KR)

See application file for complete search history.

(72) Inventors: **Hyojin Won**, Seoul (KR); **Yongho Lee**,
Seoul (KR)

(56) **References Cited**

U.S. PATENT DOCUMENTS

(73) Assignee: **LG Electronics Inc.**, Seoul (KR)

(*) Notice: This patent is subject to a terminal dis-
claimer.

D676,006 S *	2/2013	Choi	D14/126
D682,234 S *	5/2013	Lee	D14/126
D693,340 S *	11/2013	Ohshima	D14/341
D699,280 S *	2/2014	Lim	D16/241
D699,695 S *	2/2014	Kim	D14/126
D709,044 S *	7/2014	Takami	D14/126
D714,746 S *	10/2014	Euisseok	D14/126
D723,547 S *	3/2015	Zhou	D14/341
D726,666 S *	4/2015	Hwangbo	D14/126
D728,561 S *	5/2015	Park	D14/341
D729,184 S *	5/2015	Huang	D14/126

(Continued)

(**) Term: **15 Years**

(21) Appl. No.: **35/501,344**

(22) Filed: **Feb. 3, 2016**

Primary Examiner — Mary Ann Calabrese

Assistant Examiner — Jennifer L Rempfer

(80) **Hague Agreement Data**

Int. Filing Date: **Feb. 3, 2016**

Int. Reg. No.: **DM/090652**

Int. Reg. Date: **Feb. 3, 2016**

Int. Reg. Pub. Date: **Aug. 5, 2016**

(74) *Attorney, Agent, or Firm* — Birch, Stewart, Kolasch
& Birch, LLP

(57) **CLAIM**

The ornamental design for a television receiver, as shown
and described.

(30) **Foreign Application Priority Data**

Aug. 5, 2015 (KR) 30-2015-0039675

DESCRIPTION

(51) **LOC (11) Cl.** **14-03**

(52) **U.S. Cl.**
USPC **D14/126**

(58) **Field of Classification Search**
 USPC D14/125–134, 159, 239, 341, 342, 346,
 D14/347, 336, 371, 374–377, 420, 426,
 D14/440, 448, 450, 496, 138 R, 138 AA,
 D14/138 G, 147, 203.1–203.7, 247, 388,
 D14/389; D6/300–310; D16/241;
 D20/10, 15, 17, 19, 39; D21/329, 333,
 D21/331, 332; D10/1, 30, 40
 CPC .. G06F 1/1613; G06F 3/04883; G06F 1/1647;
 G06F 3/04845; G06F 1/1601; G06F
 1/1643; A63H 33/3016; H04M 1/0279;
 H04M 1/0281; H04M 1/0283; H05K

1. Television receiver

1.1 : Perspective

1.2 : Front

1.3 : Back

1.4 : Left

1.5 : Right

1.6 : Top

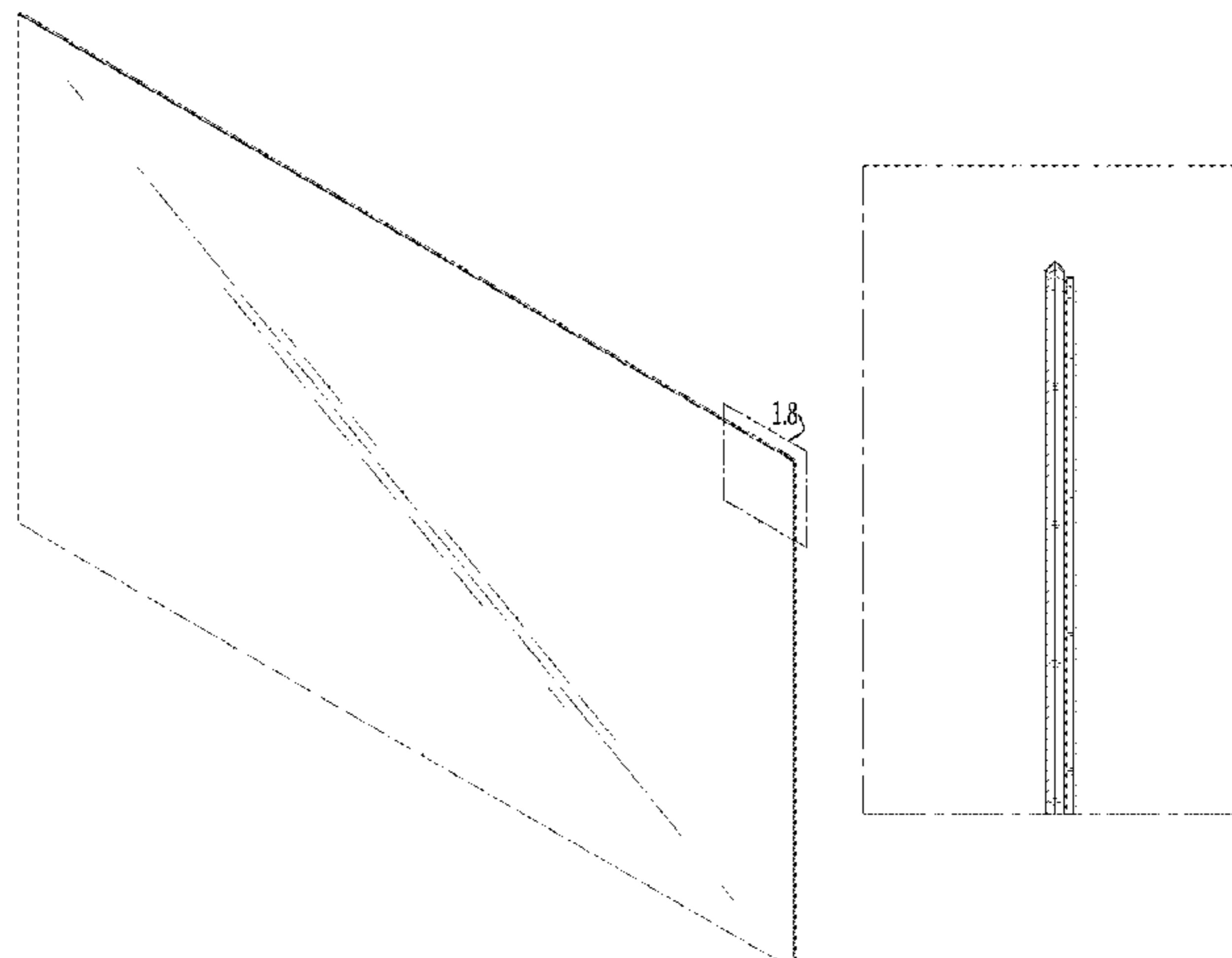
1.7 : Bottom

1.8 : Enlarged

1.9 : Enlarged

The dash-dot broken lines of figures 1.1, 1.4, 1.8 and 1.9 are
included to show partially enlarged views only and form no
part of the claimed design.

1 Claim, 8 Drawing Sheets



(56)

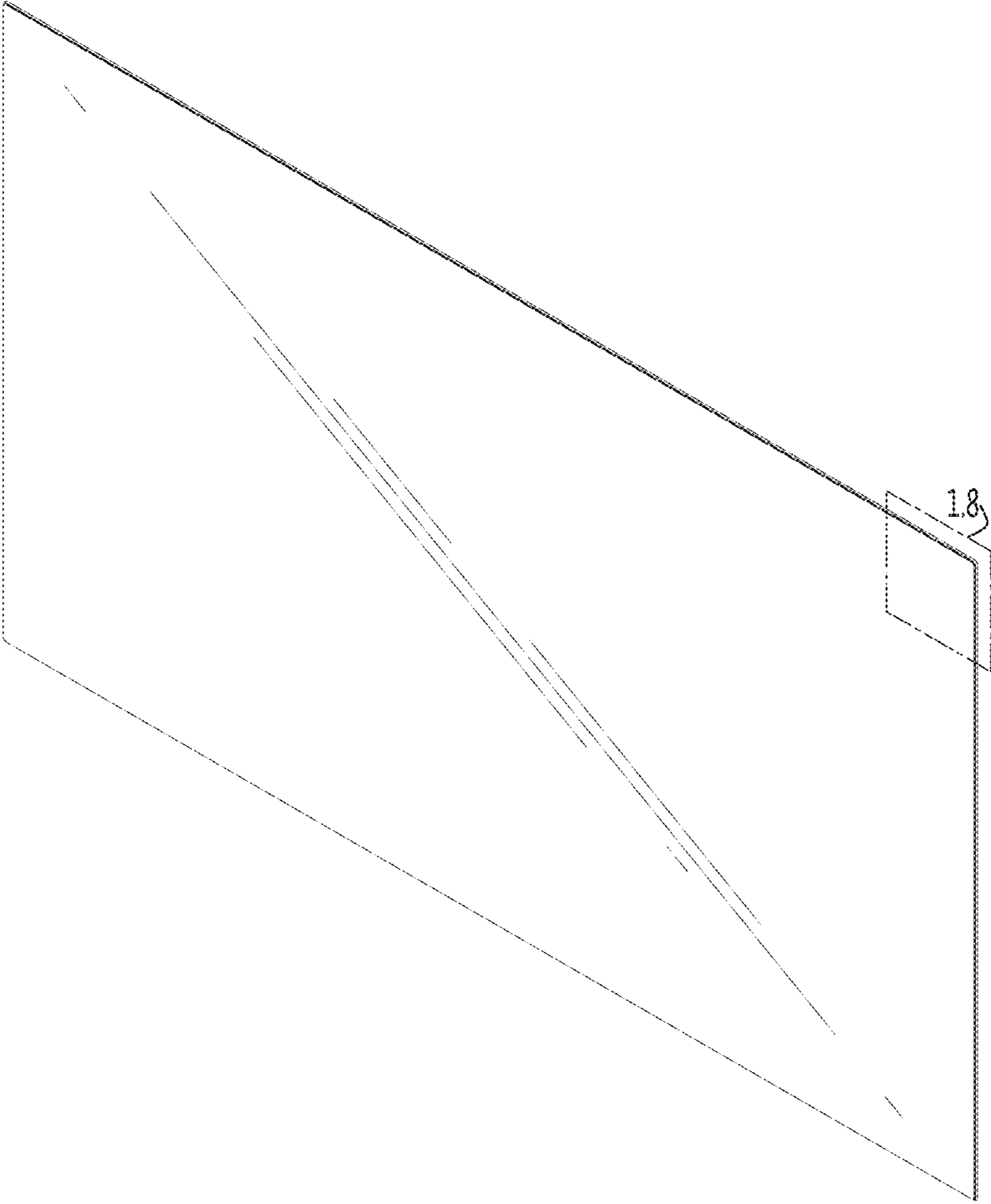
References Cited

U.S. PATENT DOCUMENTS

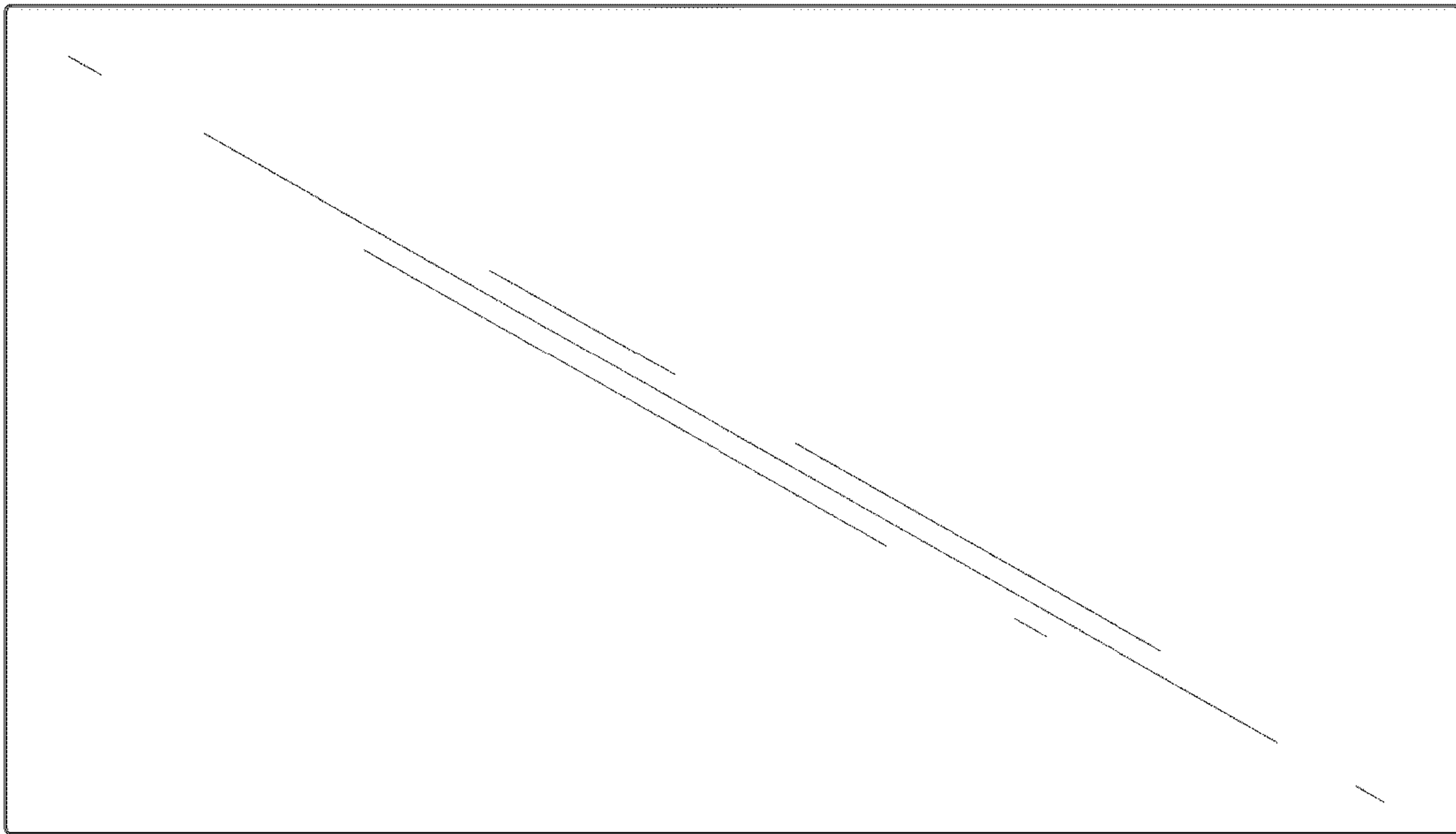
D730,857	S	*	6/2015	Park	D14/126
D735,153	S	*	7/2015	Snyder	D14/126
D738,333	S	*	9/2015	Yoo	D14/126
D738,337	S	*	9/2015	Kang	D14/126
D741,274	S	*	10/2015	Joe	D14/126
D742,343	S	*	11/2015	Moon	D14/126
D742,344	S	*	11/2015	Kim	D14/126
D742,345	S	*	11/2015	Wang	D14/126
D742,375	S	*	11/2015	Kang	D14/126
D742,844	S	*	11/2015	Hwangbo	D14/126
D744,443	S	*	12/2015	Kim	D14/126
D745,510	S	*	12/2015	Lee	D14/341
D747,712	S	*	1/2016	Kim	D14/341
D753,618	S	*	4/2016	Ryu	D14/126
D763,252	S	*	8/2016	Lee	D14/341
D763,845	S	*	8/2016	Wang	D14/315
D769,204	S	*	10/2016	Kim	D14/126
D780,171	S	*	2/2017	Ku	D14/315
D786,813	S	*	5/2017	McManigal	D14/126

* cited by examiner

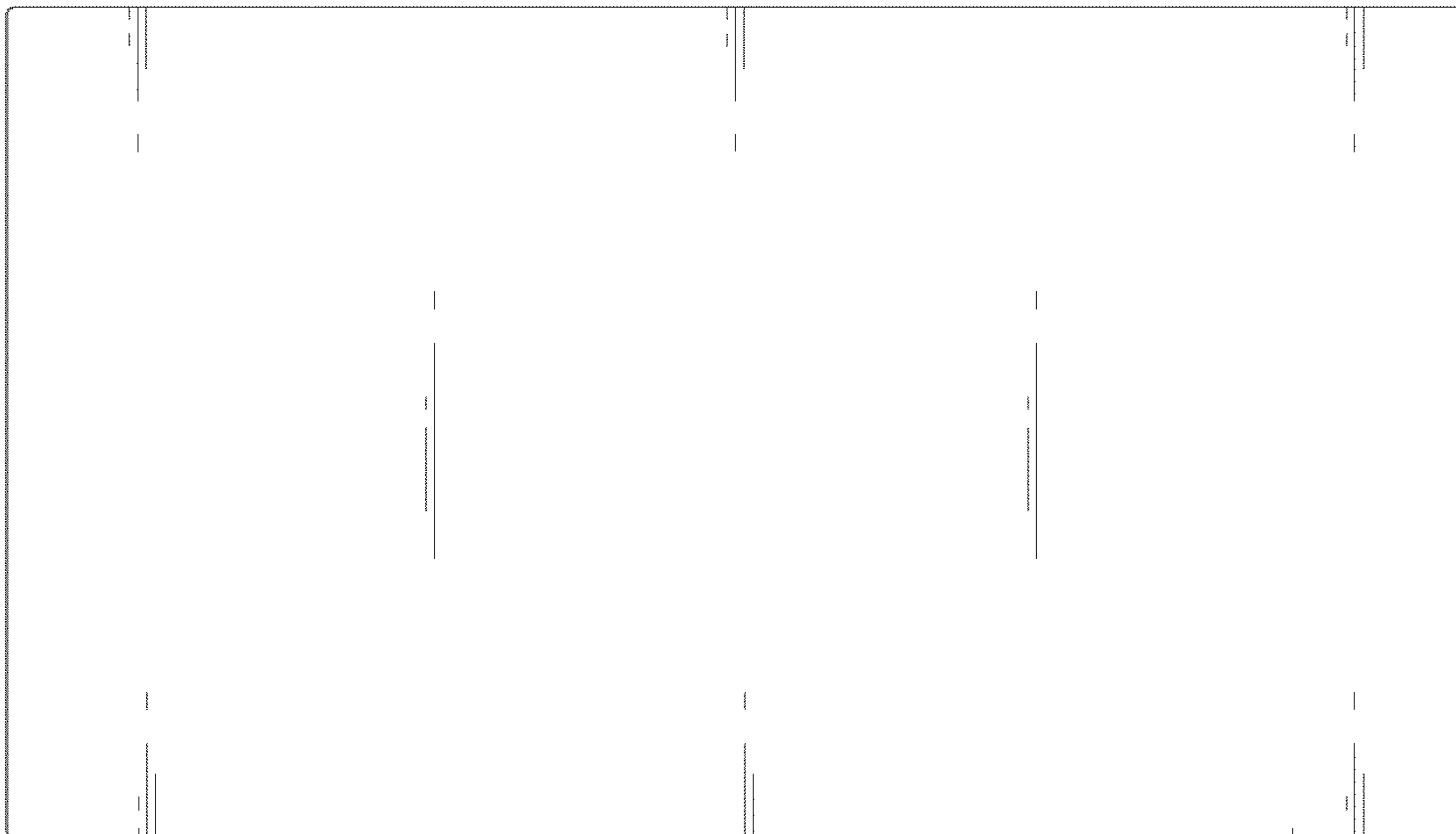
1.1



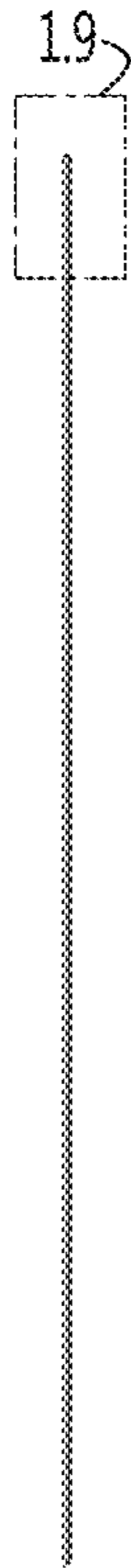
1.2



1.3



1.4



1.5



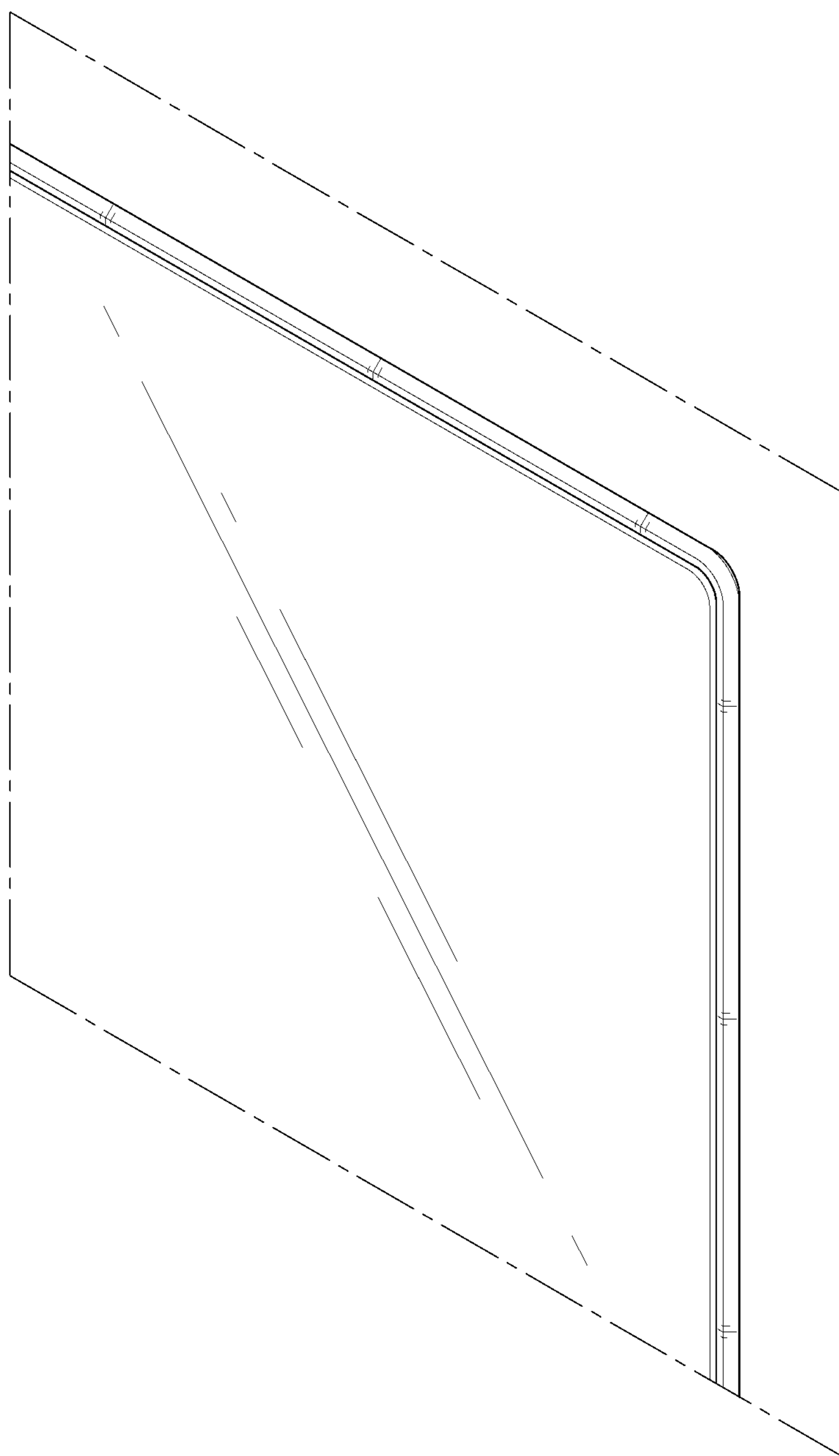
1.6



1.7



1. 8



1.9

