



US00D813832S

(12) **United States Design Patent**  
**Kim et al.**

(10) **Patent No.:** **US D813,832 S**  
(45) **Date of Patent:** **\*\* Mar. 27, 2018**

(54) **TELEVISION RECEIVER**

5/0004; H05K 5/0017; H05K 5/02; H05K  
5/0217; H04N 13/0459

(71) Applicant: **LG ELECTRONICS INC.**, Seoul  
(KR)

See application file for complete search history.

(72) Inventors: **Byungsoo Kim**, Seoul (KR); **Seongahn  
Jeon**, Seoul (KR); **Hana Kim**, Seoul  
(KR)

(56) **References Cited**

U.S. PATENT DOCUMENTS

(73) Assignee: **LG ELECTRONICS INC.**, Seoul  
(KR)

D269,685 S \* 7/1983 Lansdowne ..... D20/15  
D609,263 S \* 2/2010 Tatara ..... D16/241  
D648,335 S \* 11/2011 Shiono ..... D14/374

(Continued)

(\*\*) Term: **15 Years**

*Primary Examiner* — Mary Ann Calabrese

*Assistant Examiner* — Jennifer L Rempfer

(21) Appl. No.: **35/501,315**

(74) *Attorney, Agent, or Firm* — Birch, Stewart, Kolasch  
& Birch, LLP

(22) Filed: **Feb. 3, 2016**

(80) **Hague Agreement Data**

Int. Filing Date: **Feb. 3, 2016**

Int. Reg. No.: **DM/089378**

Int. Reg. Date: **Feb. 3, 2016**

Int. Reg. Pub. Date: **Aug. 5, 2016**

(57) **CLAIM**

The ornamental design for a television receiver, as shown  
and described.

(30) **Foreign Application Priority Data**

Aug. 5, 2015 (KR) ..... 30-2015-0039645

(51) **LOC (11) Cl.** ..... **14-03**

(52) **U.S. Cl.**  
USPC ..... **D14/126**

(58) **Field of Classification Search**

USPC ..... D14/125-134, 159, 239, 341, 342, 346,  
D14/347, 336, 371, 374-377, 420, 426,  
D14/440, 448, 450, 496, 138 R, 138 AA,  
D14/138 G, 147, 203.1-203.7, 247, 388,  
D14/389; D6/300-310; D16/241;  
D20/10, 15, 17, 19, 39; D21/329, 333,  
D21/331, 332; D10/1, 30, 40

CPC .. G06F 1/1613; G06F 3/04883; G06F 1/1647;  
G06F 3/04845; G06F 1/1601; G06F  
1/1643; A63H 33/3016; H04M 1/0279;  
H04M 1/0281; H04M 1/0283; H05K

**DESCRIPTION**

1. Television receiver

1.1 : Perspective

1.2 : Front

1.3 : Back

1.4 : Left

1.5 : Right

1.6 : Top

1.7 : Bottom

1.8 : Perspective

1.9 : Front

1.10 : Back

1.11 : Left

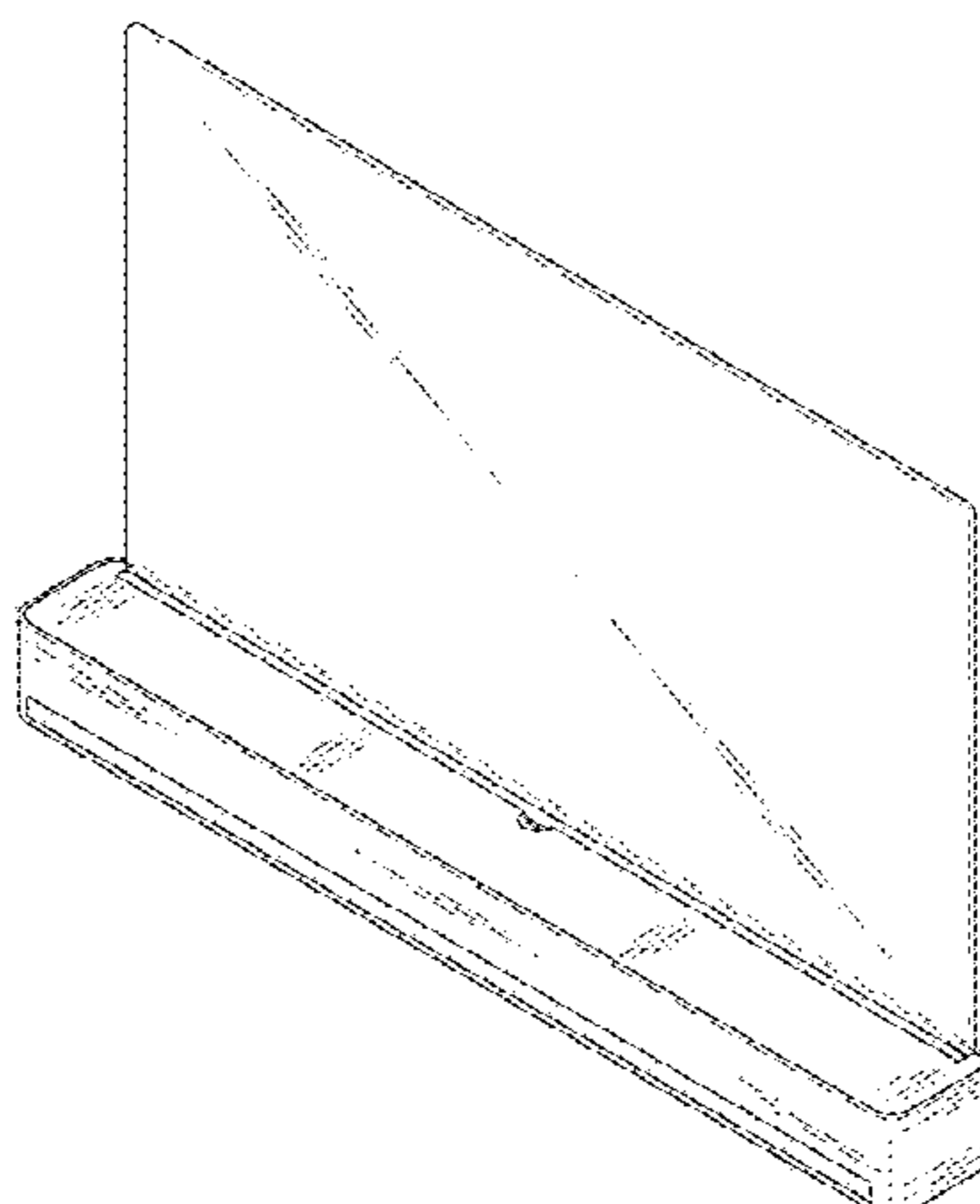
1.12 : Right

1.13 : Top

1.14 : Bottom

Reproductions 1.1-1.4 show one (1) design. The subject  
design is characterized by a collapsible display. Reproductions  
1.1-1.7 show the unused state of the subject design  
with the display unit collapsed and unexposed. Reproduc-

(Continued)



tions 1.8-1.14 show the use state of the subject design with the display unit fully exposed.

**1 Claim, 14 Drawing Sheets**

(56)

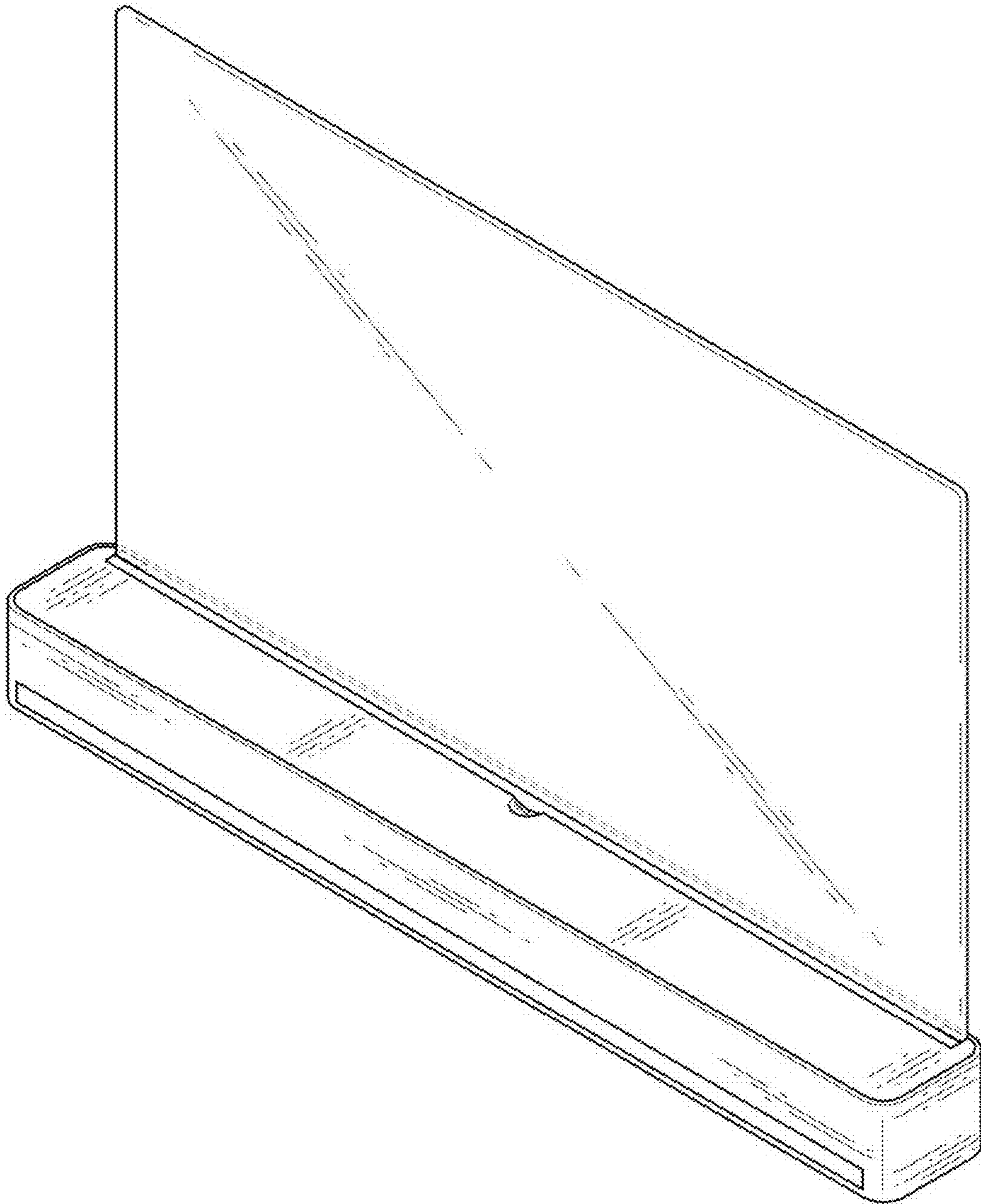
**References Cited**

U.S. PATENT DOCUMENTS

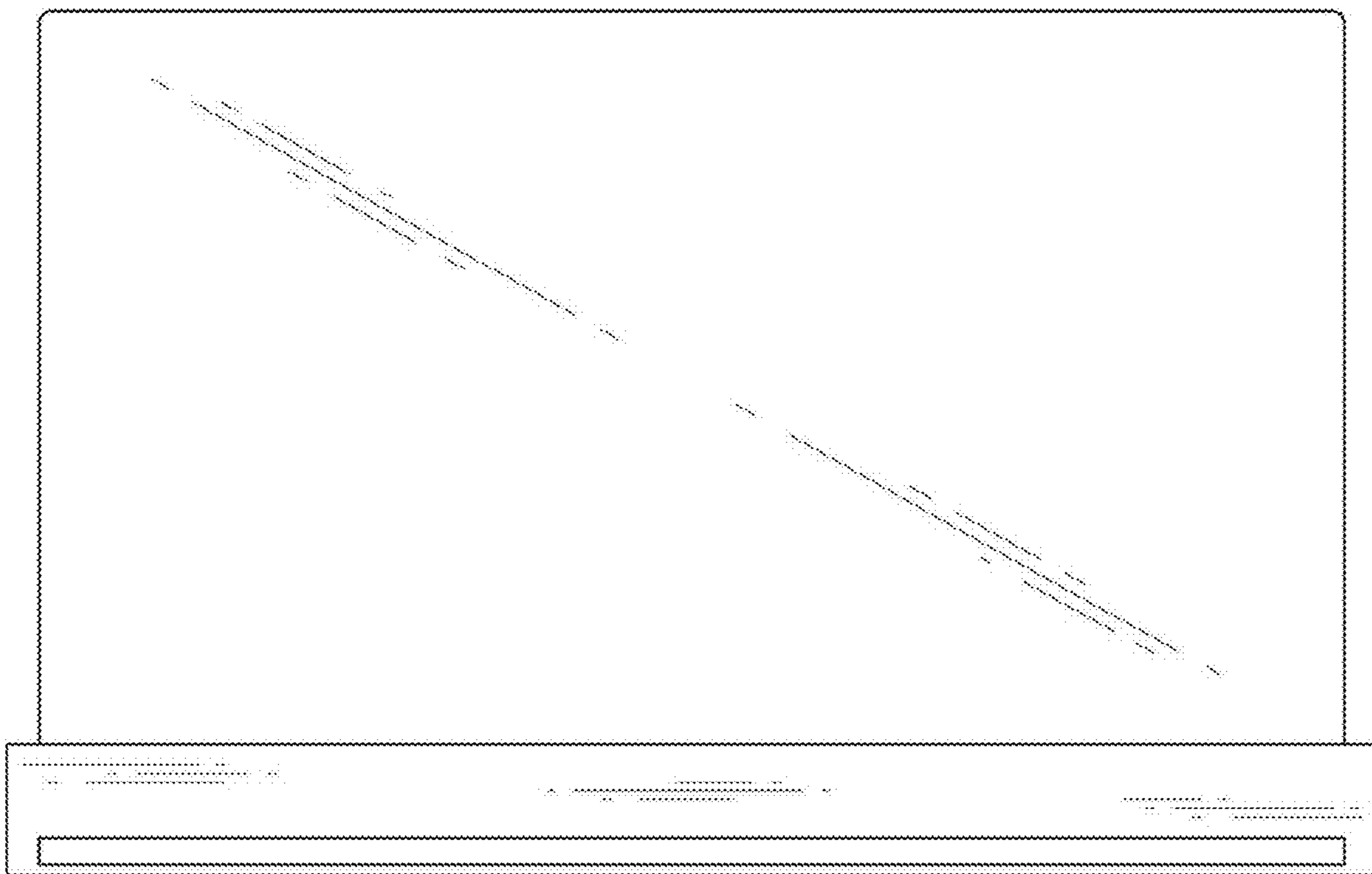
|          |   |   |         |         |       |         |
|----------|---|---|---------|---------|-------|---------|
| D650,765 | S | * | 12/2011 | Ho      | ..... | D14/126 |
| D677,637 | S | * | 3/2013  | Kubota  | ..... | D14/126 |
| D680,088 | S | * | 4/2013  | Park    | ..... | D14/126 |
| D717,756 | S | * | 11/2014 | Park    | ..... | D14/126 |
| D722,033 | S | * | 2/2015  | Kim     | ..... | D14/126 |
| D722,300 | S | * | 2/2015  | Won     | ..... | D14/126 |
| D732,489 | S | * | 6/2015  | Kumano  | ..... | D14/126 |
| D736,169 | S | * | 8/2015  | Kim     | ..... | D14/126 |
| D737,234 | S | * | 8/2015  | Kim     | ..... | D14/126 |
| D738,336 | S | * | 9/2015  | Hwangbo | ..... | D14/126 |
| D741,828 | S | * | 10/2015 | Shin    | ..... | D14/126 |
| D744,441 | S | * | 12/2015 | Shin    | ..... | D14/126 |
| D752,002 | S | * | 3/2016  | Kim     | ..... | D14/126 |
| D755,746 | S | * | 5/2016  | Kim     | ..... | D14/126 |
| D758,330 | S | * | 6/2016  | Lee     | ..... | D14/126 |
| D759,611 | S | * | 6/2016  | Kim     | ..... | D14/126 |
| D772,833 | S | * | 11/2016 | Han     | ..... | D14/126 |
| D773,419 | S | * | 12/2016 | Han     | ..... | D14/126 |
| D783,612 | S | * | 4/2017  | Kim     | ..... | D14/374 |
| D791,094 | S | * | 7/2017  | Han     | ..... | D14/126 |
| D792,361 | S | * | 7/2017  | Han     | ..... | D14/126 |

\* cited by examiner

1.1



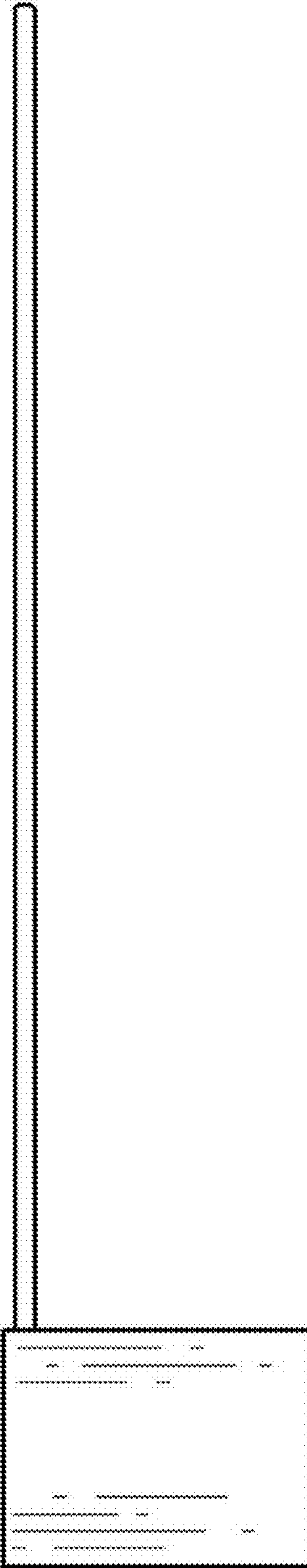
1.2



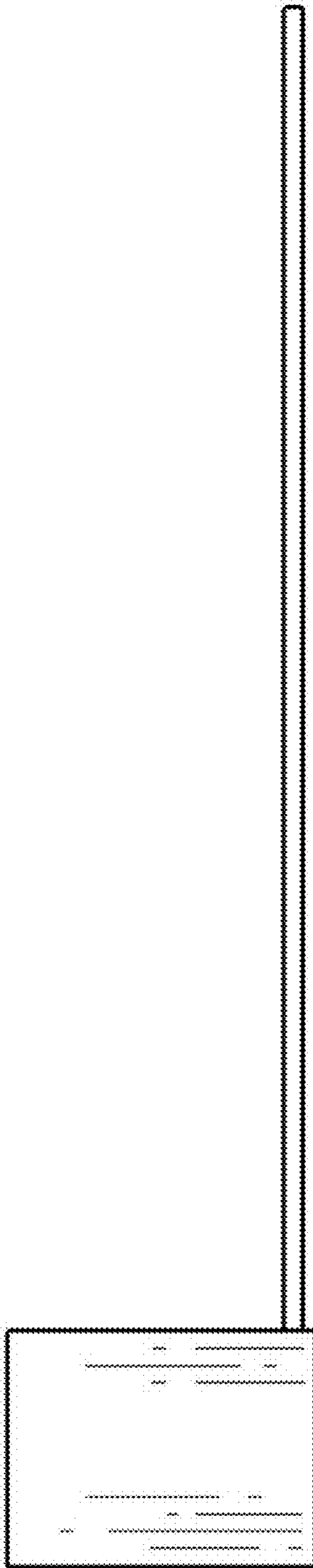
1.3



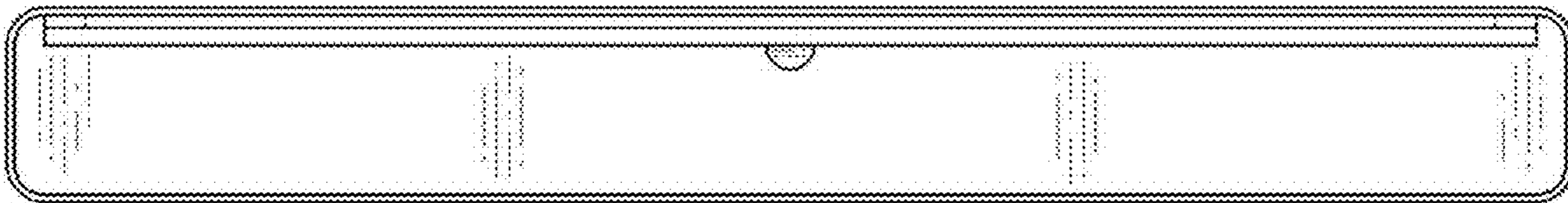
1.4



1.5

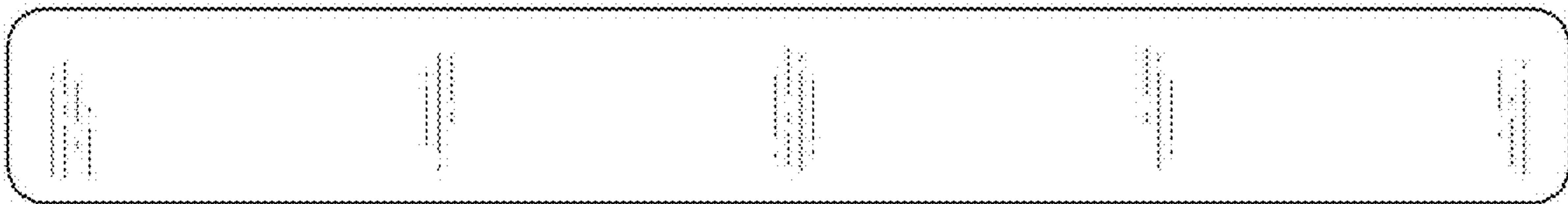


1.6

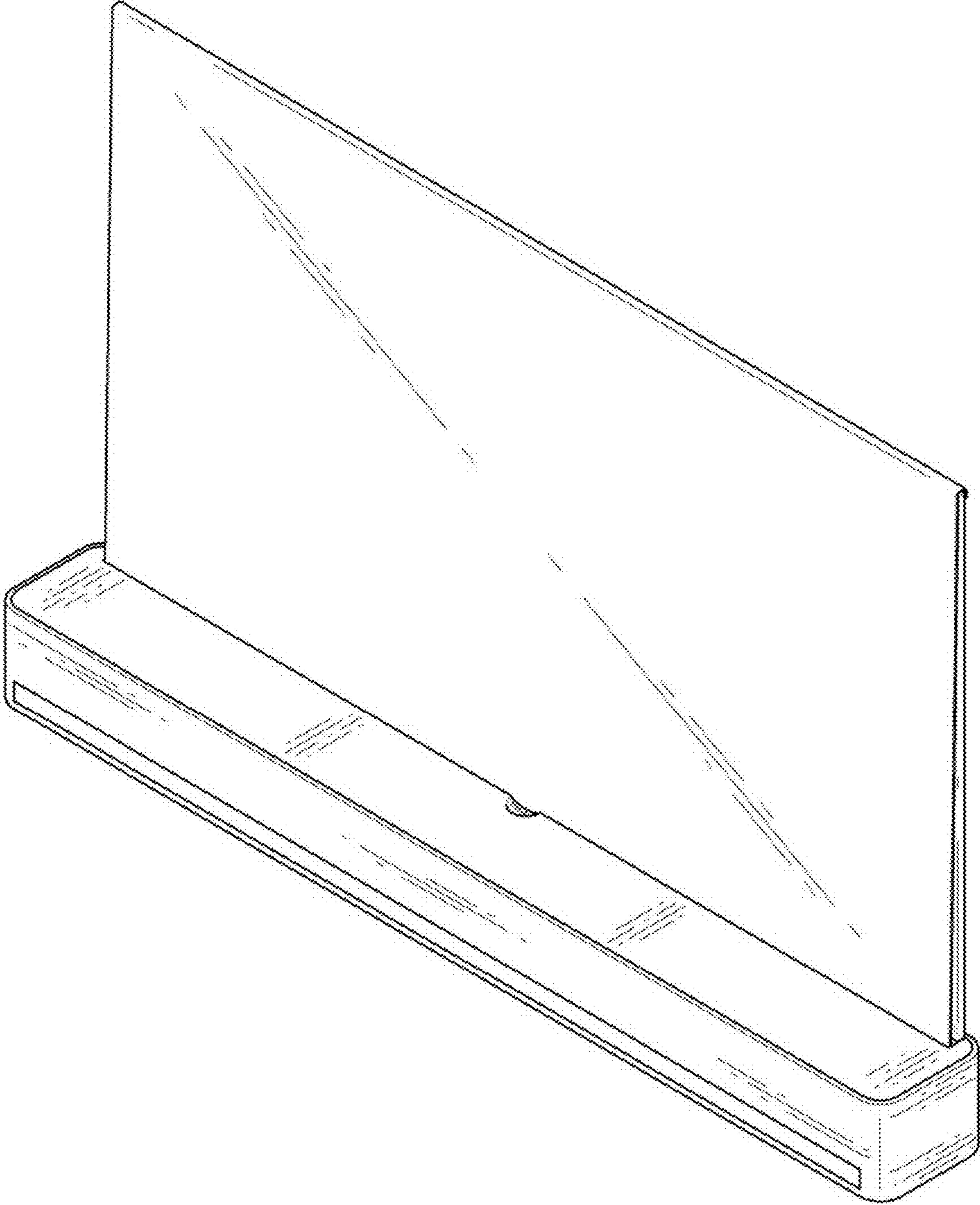




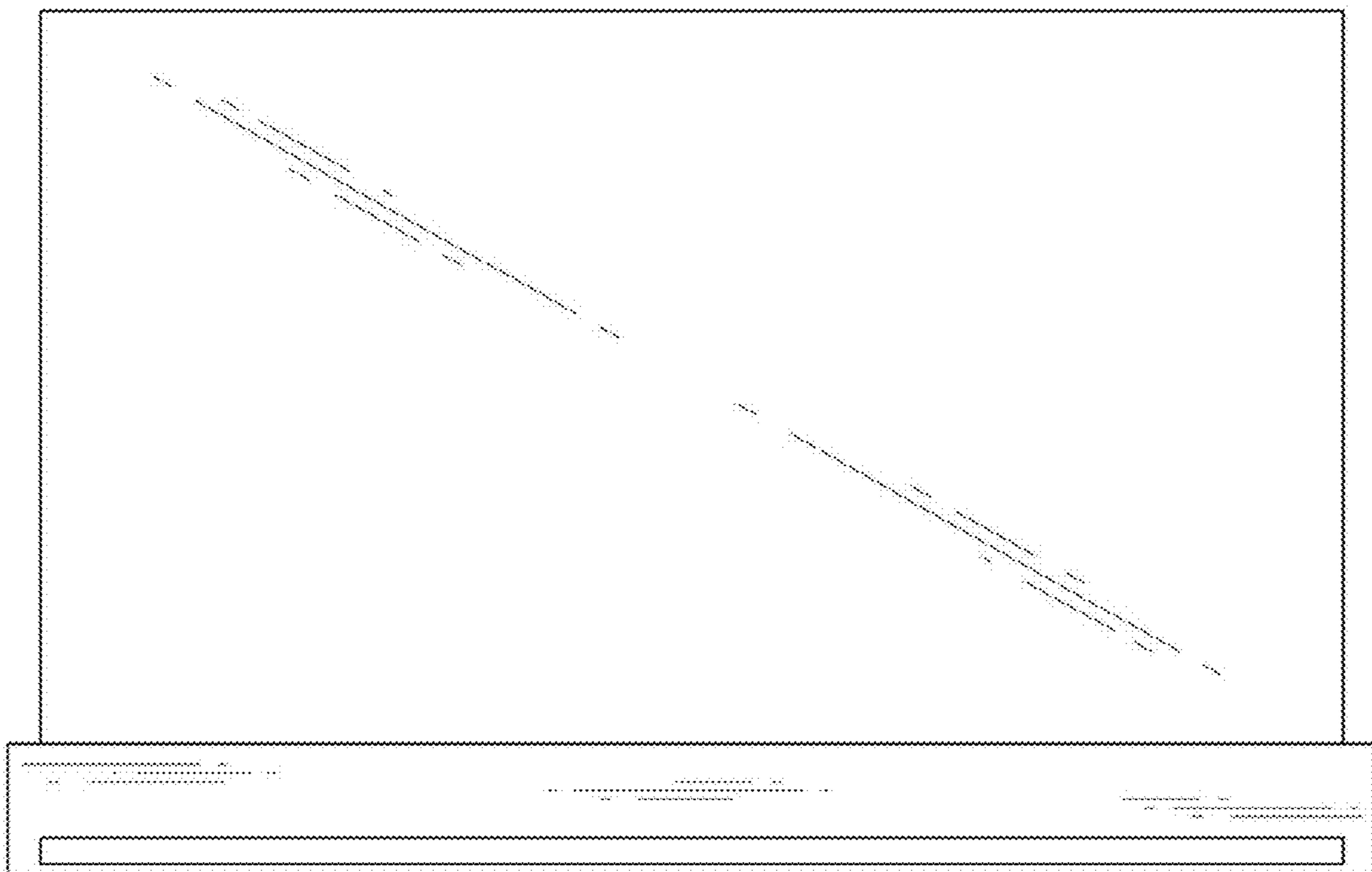
1.7



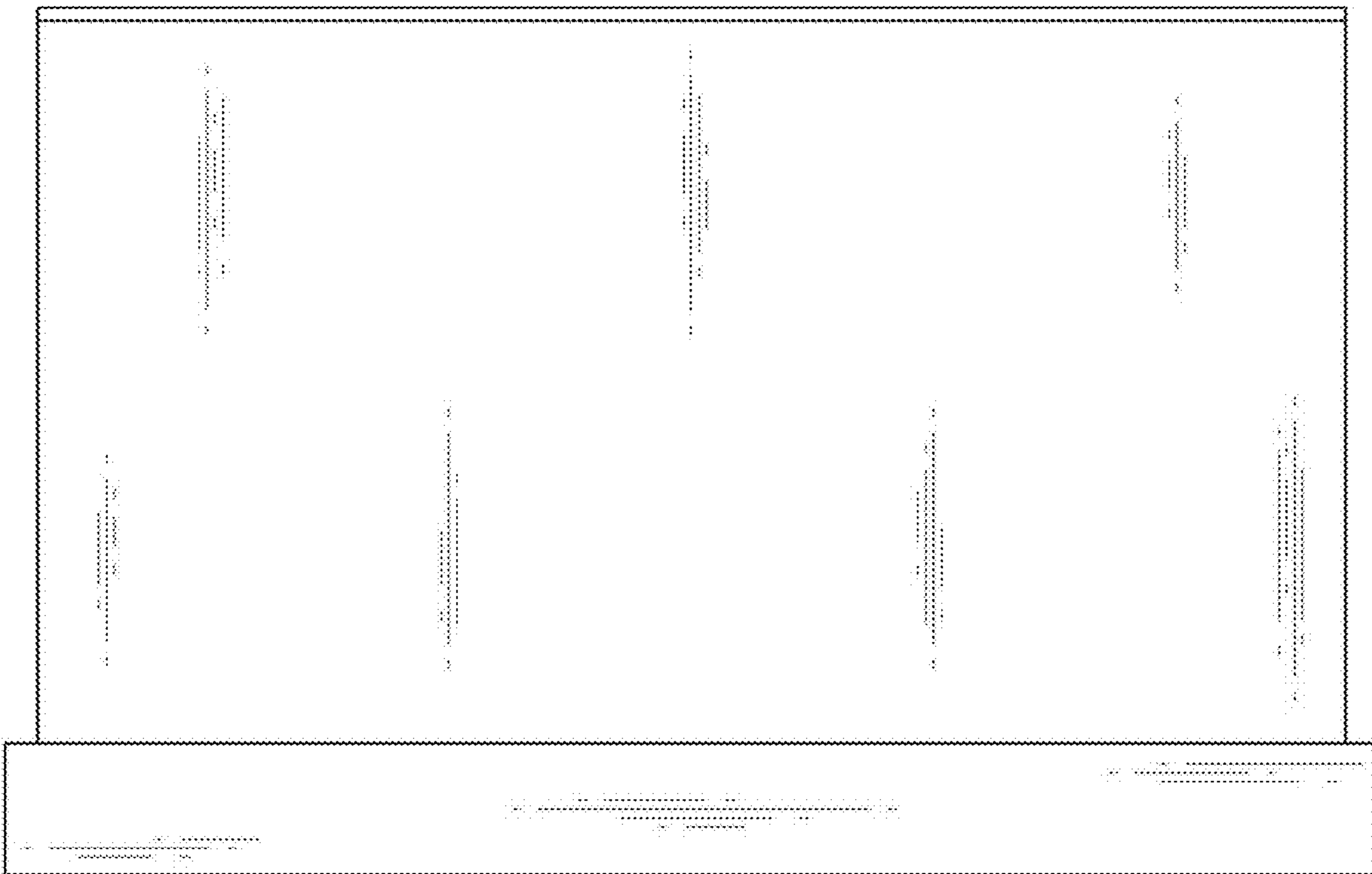
1.8



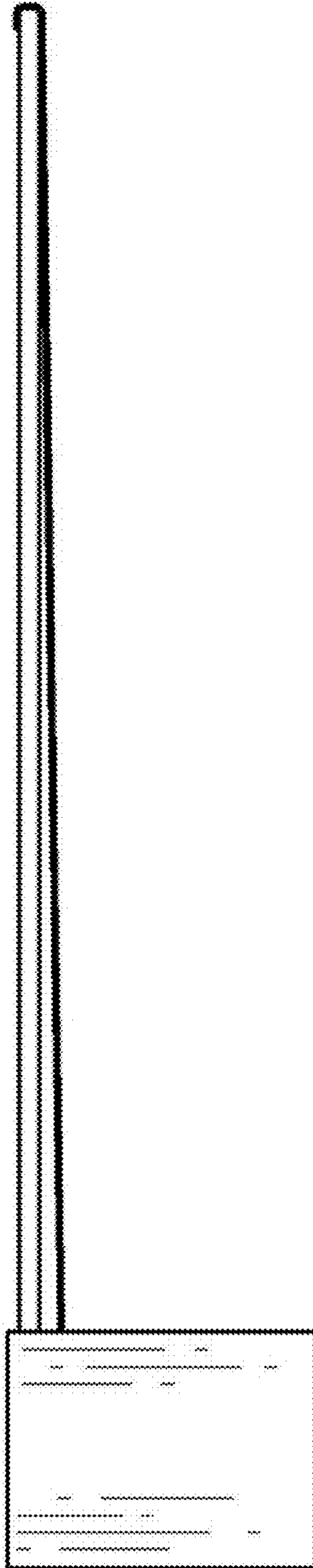
19



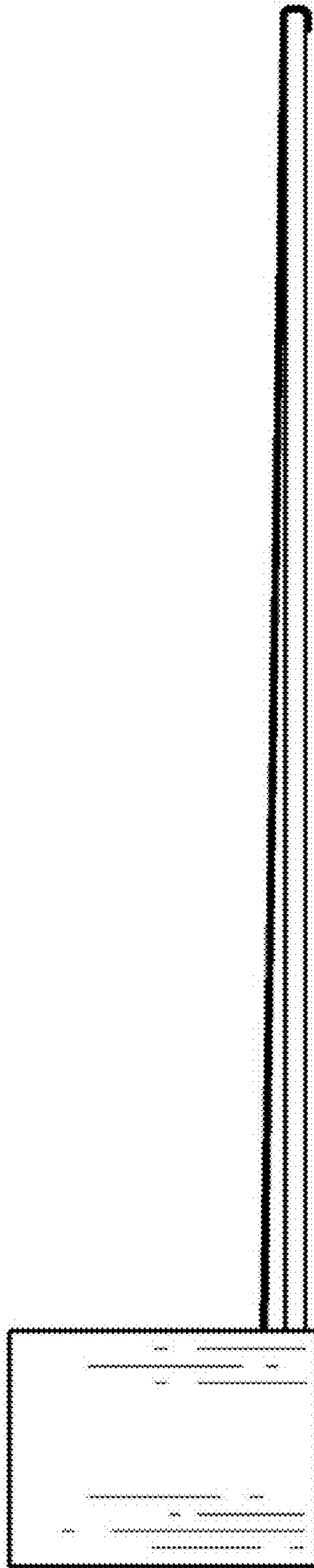
1.10



1.11



1.12



1.13



1.14

