



US00D813830S

(12) **United States Design Patent**
Stevenson, Jr.

(10) **Patent No.:** **US D813,830 S**
(45) **Date of Patent:** **** Mar. 27, 2018**

(54) **MAGNETIC HOLDER WITH REMOVABLE TOP**

(71) Applicant: **William Thomas Stevenson, Jr.**,
Fountain Inn, SC (US)

(72) Inventor: **William Thomas Stevenson, Jr.**,
Fountain Inn, SC (US)

(**) Term: **14 Years**

(21) Appl. No.: **29/519,111**

(22) Filed: **Mar. 2, 2015**

(51) **LOC (11) Cl.** **13-99**

(52) **U.S. Cl.**
USPC **D13/183; D6/573**

(58) **Field of Classification Search**
USPC D13/183, 184, 199; D8/349, 499;
D6/553, 573, 574
CPC H01F 1/00; H01F 7/126; H02N 15/00
See application file for complete search history.

(56) **References Cited**

U.S. PATENT DOCUMENTS

D301,101 S	*	5/1989	Meyer	D6/553
D312,073 S	*	11/1990	Mitchell	D13/183
D379,089 S	*	5/1997	Harris	D13/183
D416,735 S	*	11/1999	Haase	D6/553
D485,809 S	*	1/2004	Ottens	D13/183
D763,599 S	*	8/2016	Vinson	D6/552

* cited by examiner

Primary Examiner — Derrick Holland

(74) *Attorney, Agent, or Firm* — McNair Law Firm, P.A.;
Douglas L. Lineberry

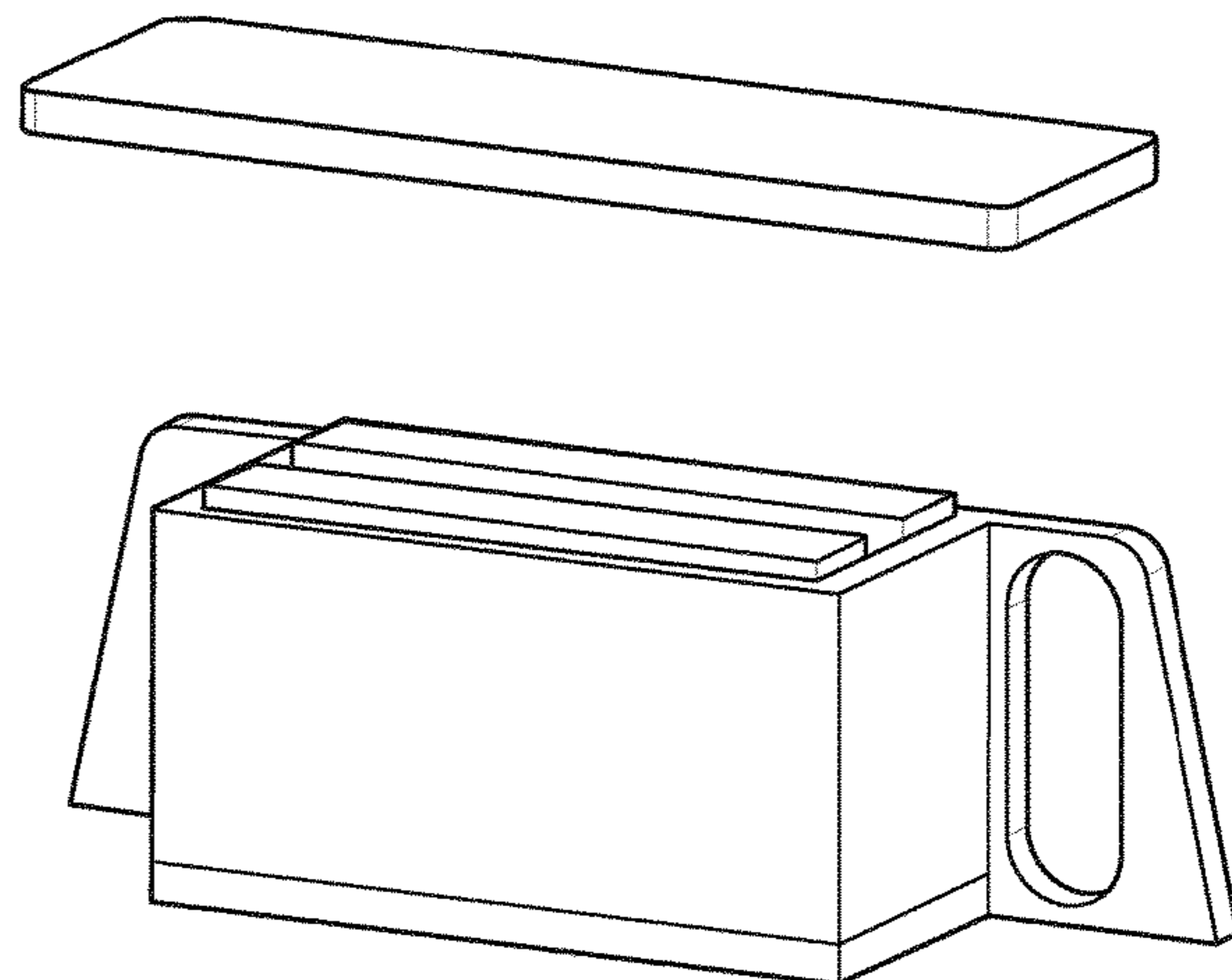
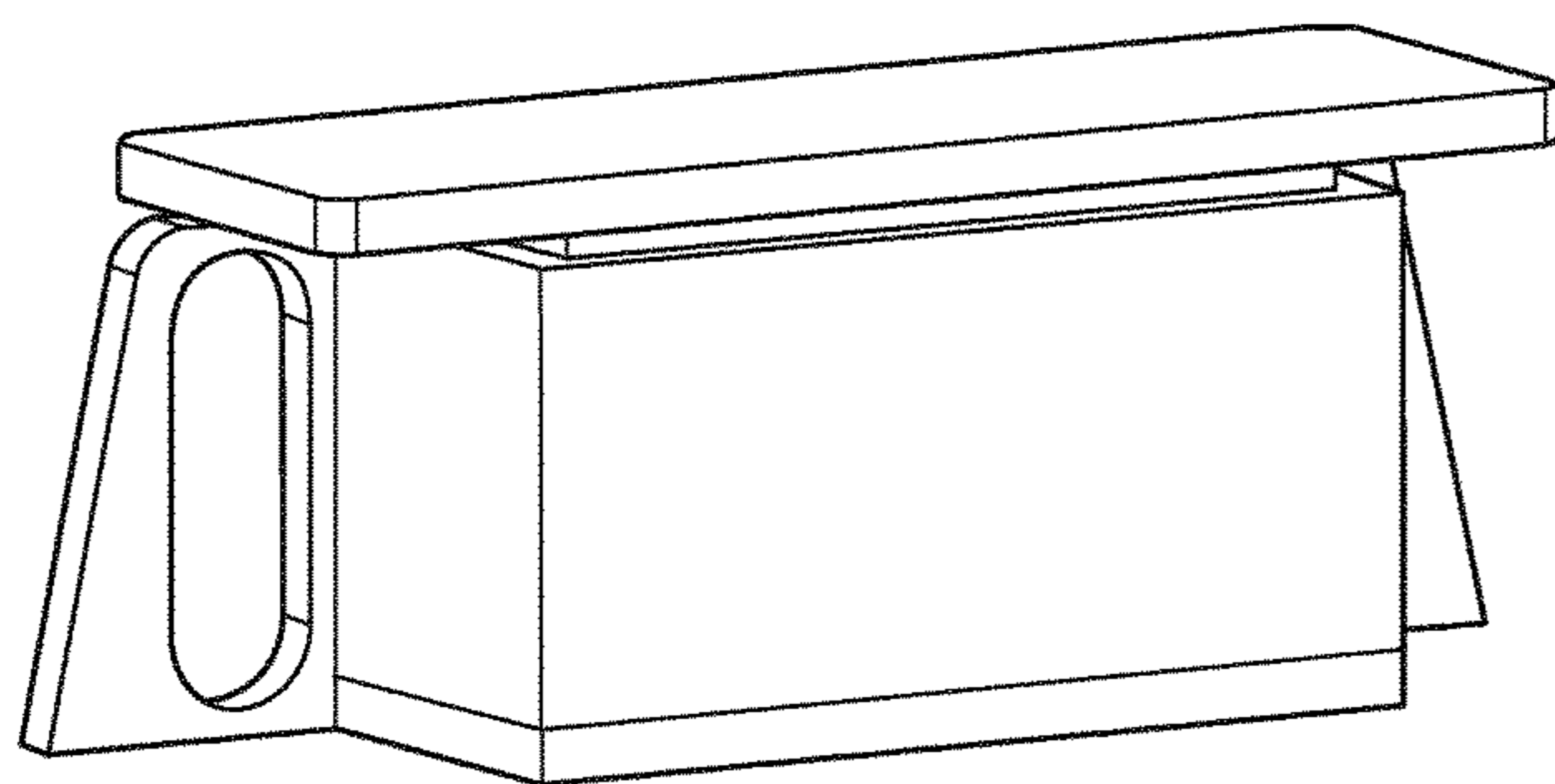
(57) **CLAIM**

The ornamental design for a magnetic holder with removable top, as shown and described.

DESCRIPTION

FIG. 1 is a front perspective view of a magnetic holder with removable top showing my new design;
 FIG. 2 is an exploded front perspective view of the magnetic holder with removable top;
 FIG. 3 is a front view of the magnetic holder with the removable top in place;
 FIG. 4 is a rear view of the magnetic holder with the removable top removed;
 FIG. 5 is a top plan view of the magnetic holder with removable top in place;
 FIG. 6 is a top plan view of the magnetic holder with removable top removed;
 FIG. 7 is a right side view of the magnetic holder with the removable top in place;
 FIG. 8 is a left side view of the magnetic holder with removable top;
 FIG. 9 is a bottom plan view of the magnetic holder with removable top in place; and,
 FIG. 10 is a bottom plan view of the magnetic holder with removable top removed.
 The broken lines shown represent unclaimed subject matter and form no part of the claimed design.

1 Claim, 5 Drawing Sheets



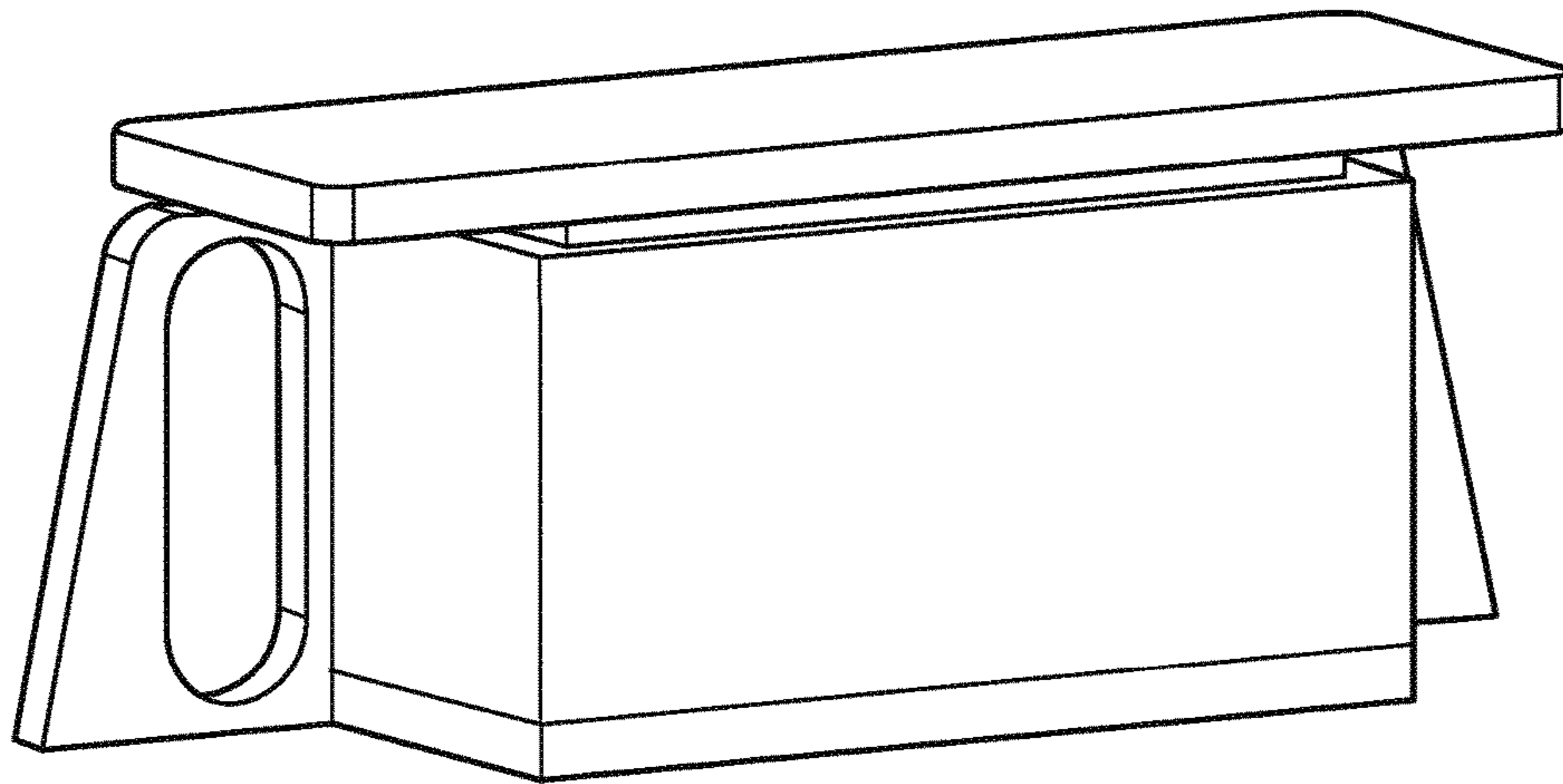


FIGURE 1

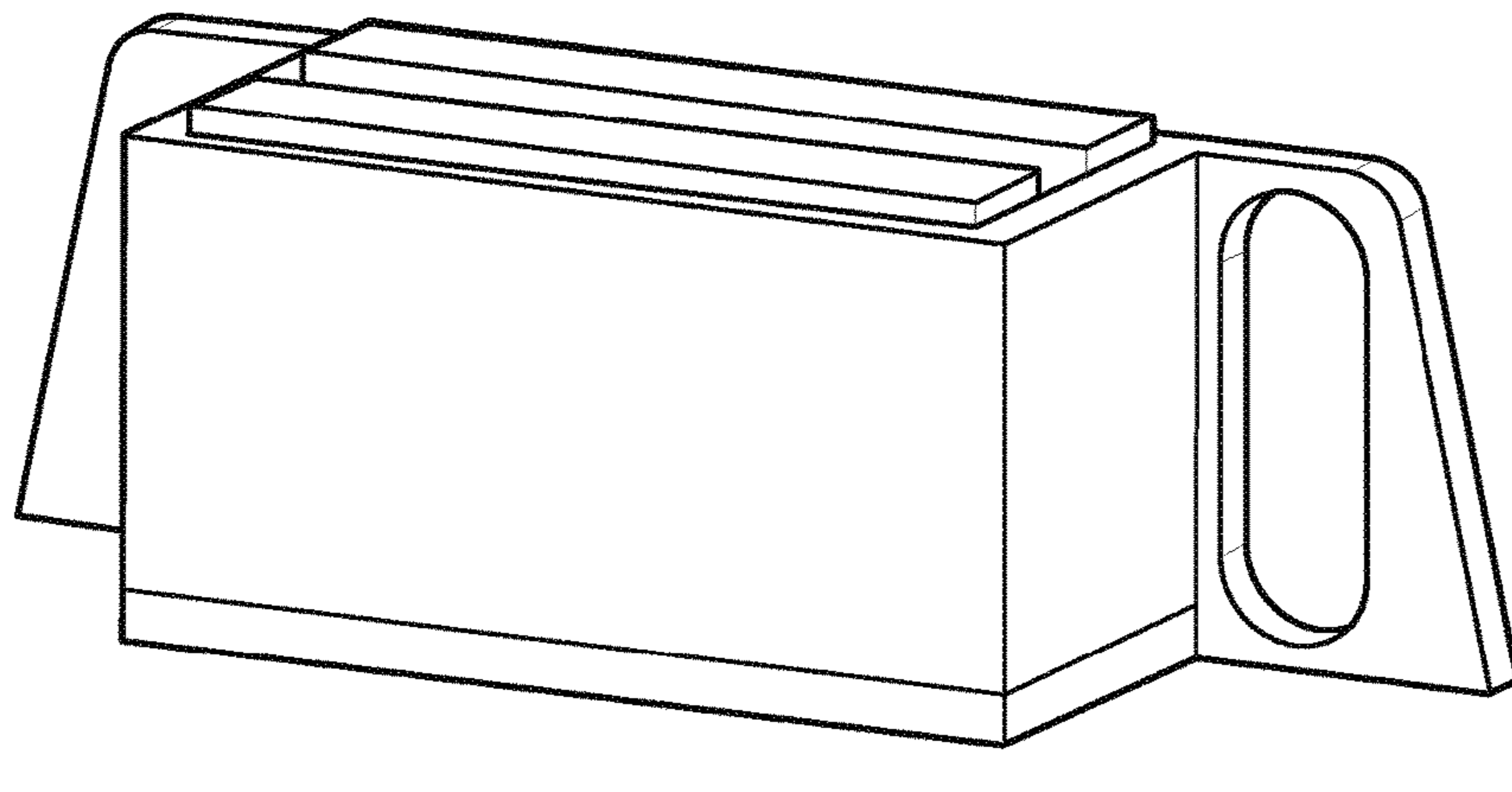
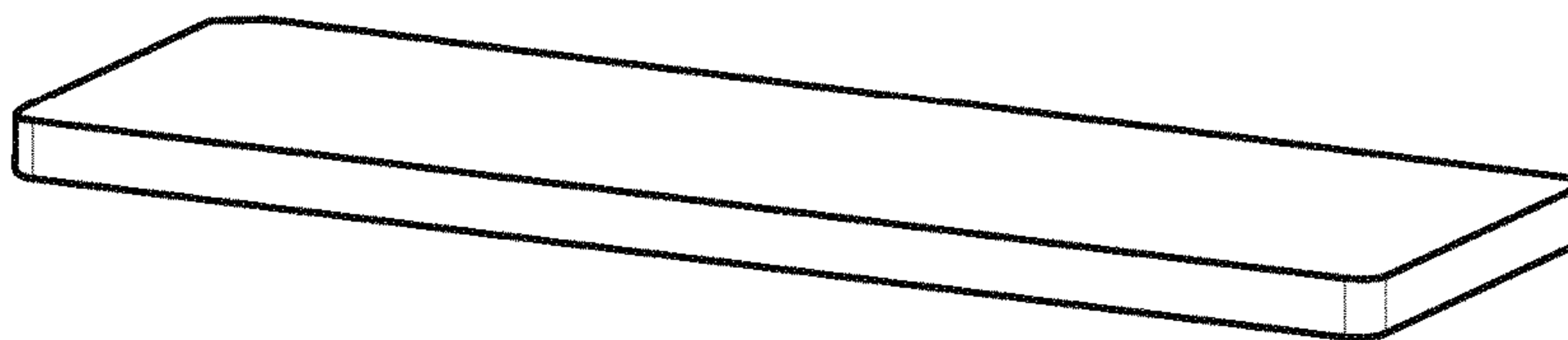


FIGURE 2

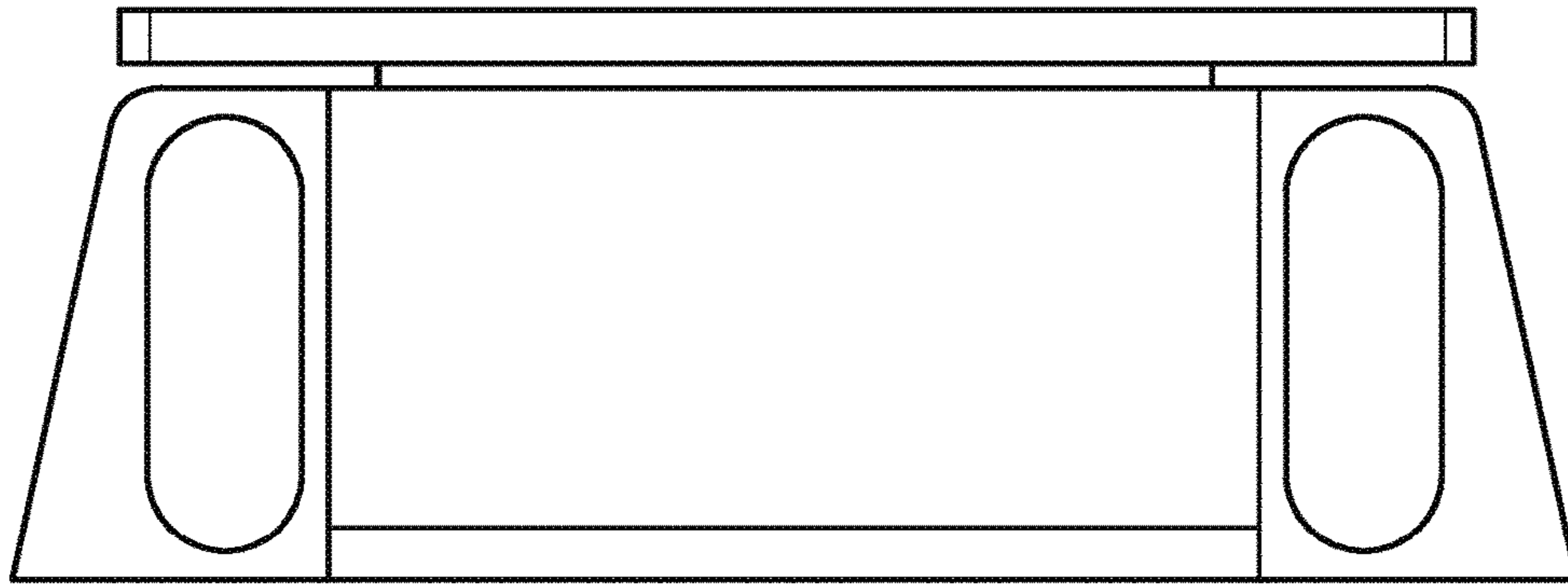


FIGURE 3

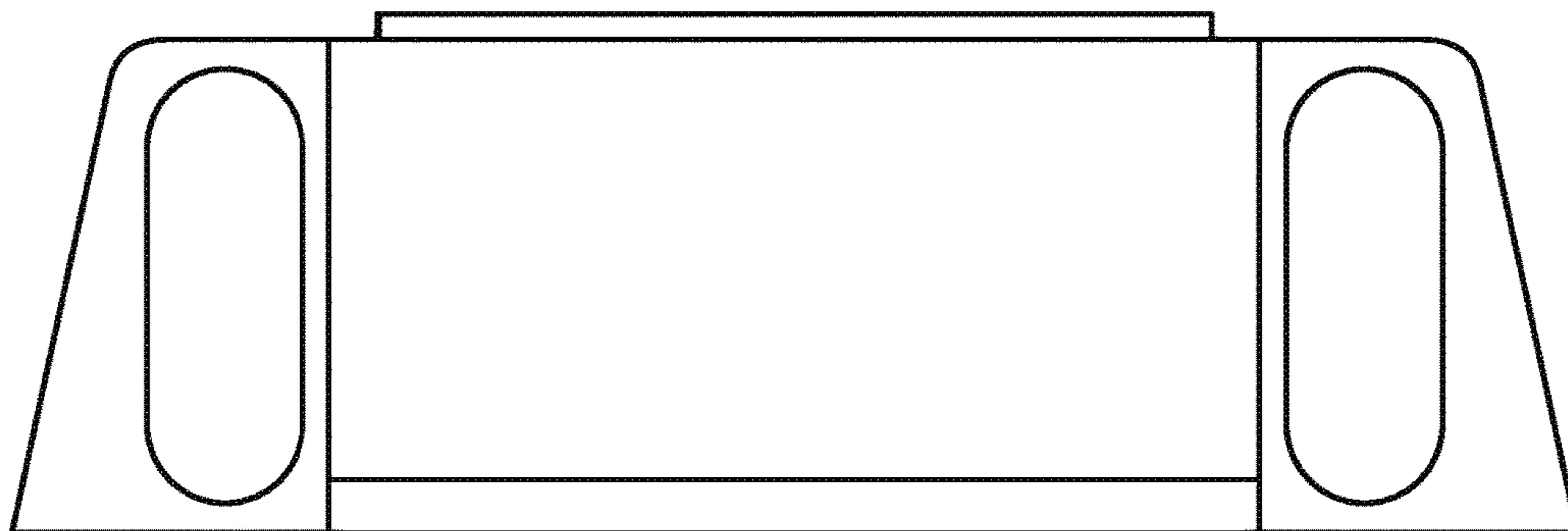


FIGURE 4

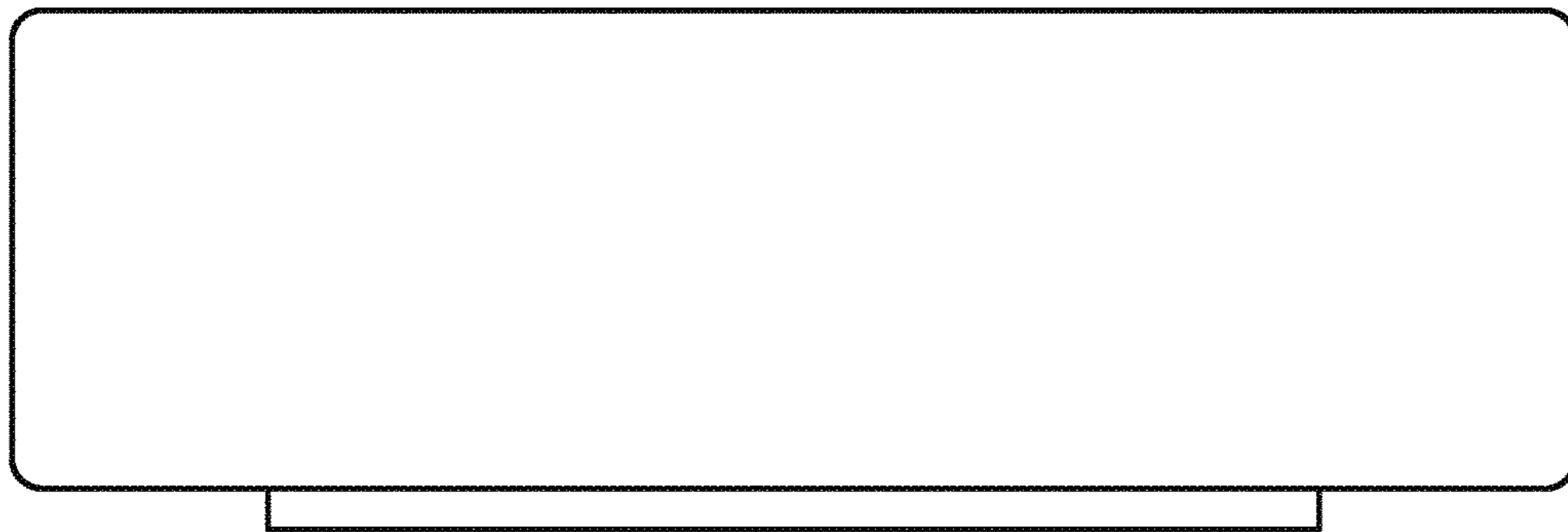


FIGURE 5

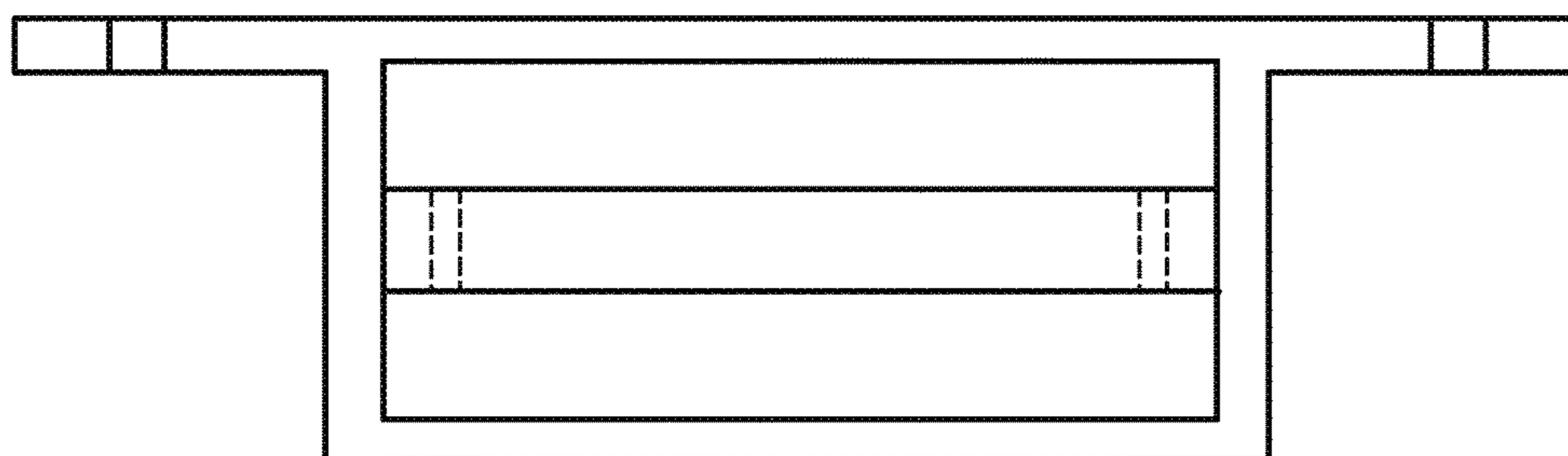


FIGURE 6

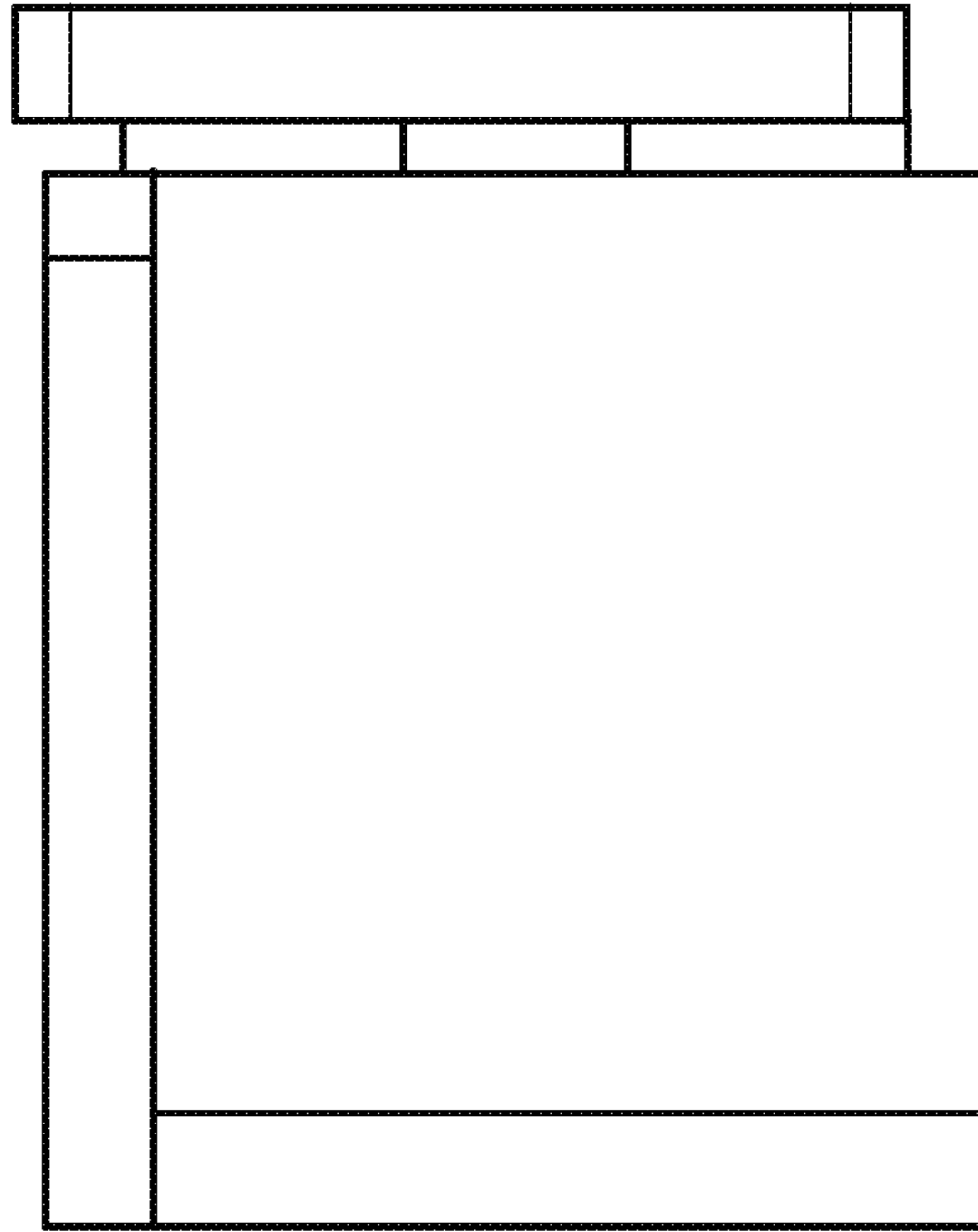


FIGURE 7

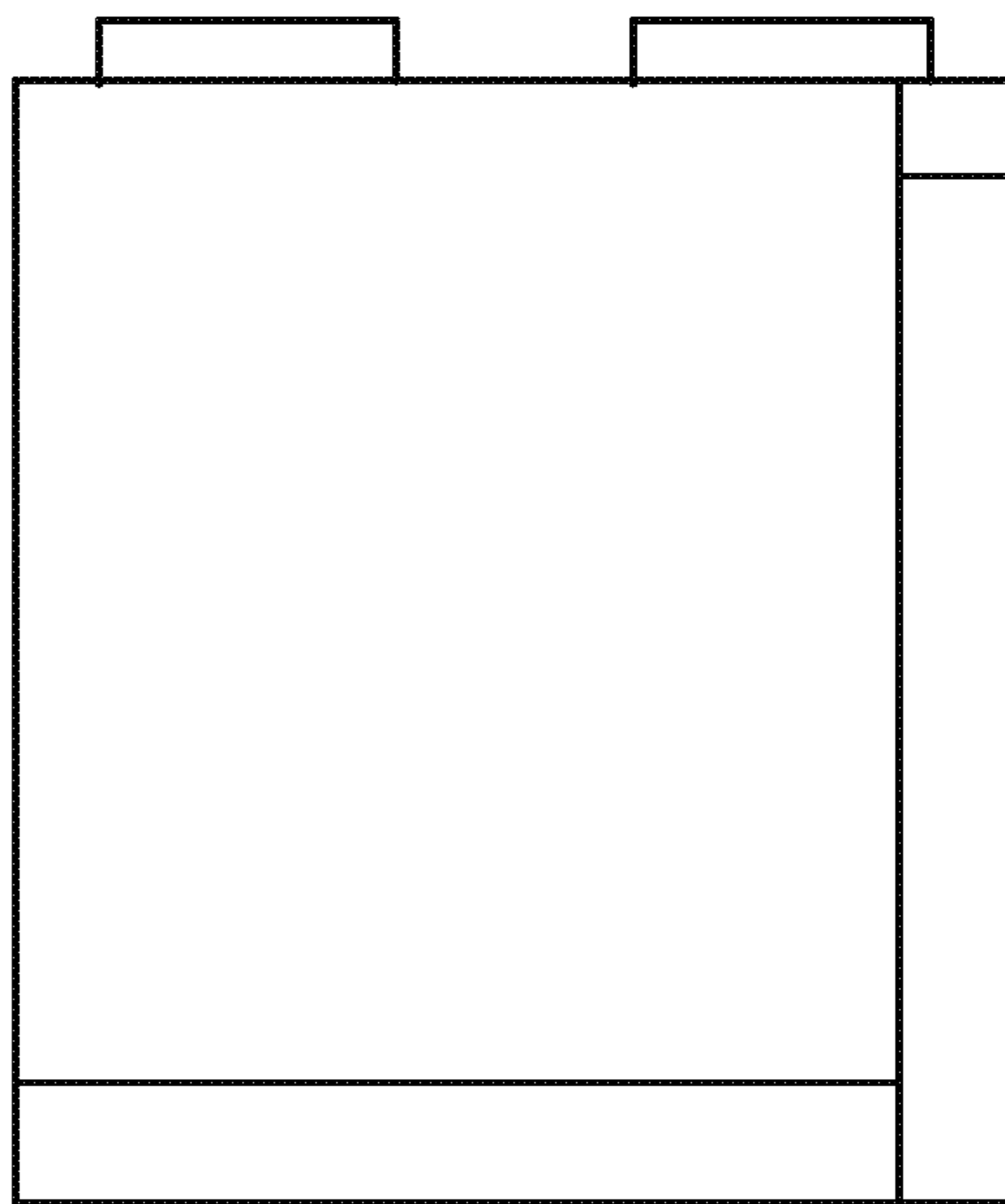


FIGURE 8

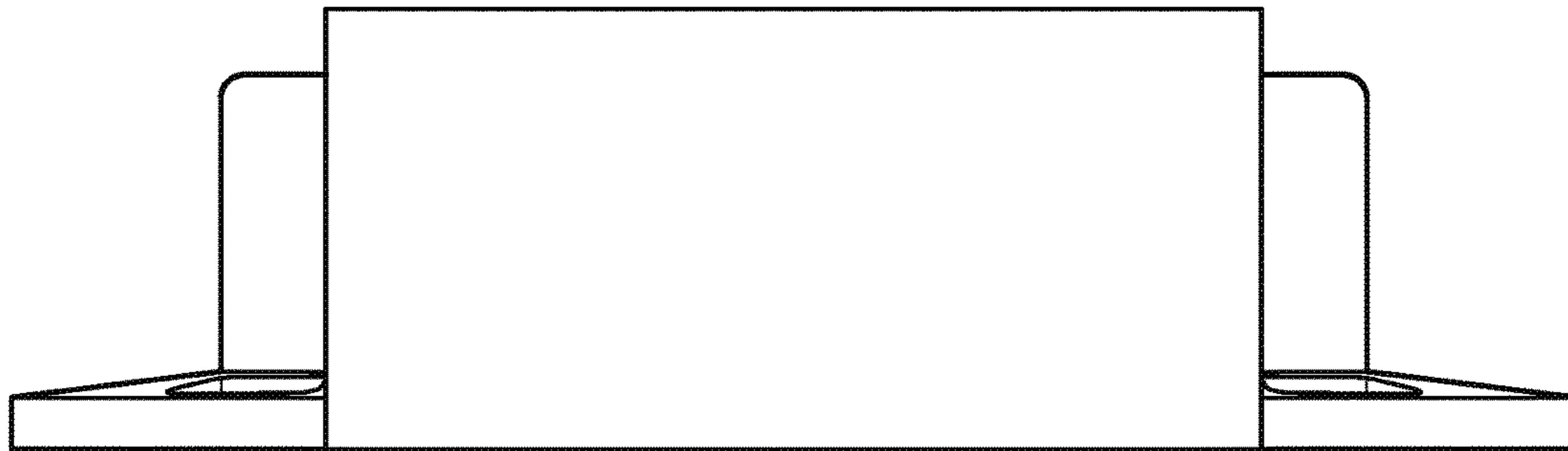


FIGURE 9

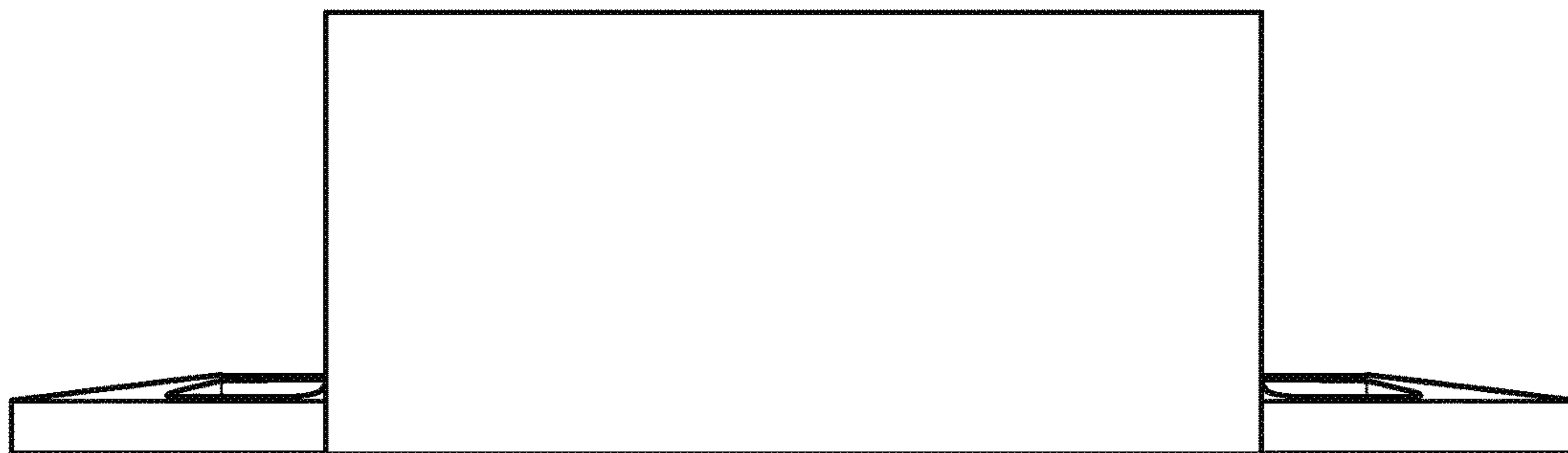


FIGURE 10