



US00D813829S

(12) **United States Design Patent**  
**Raphael**

(10) **Patent No.:** **US D813,829 S**  
(45) **Date of Patent:** **\*\* Mar. 27, 2018**

- (54) **WATERPROOF SWITCH ASSEMBLY**
- (71) Applicant: **Howard A. Raphael**, Carmel, CA (US)
- (72) Inventor: **Howard A. Raphael**, Carmel, CA (US)
- (73) Assignee: **12VTECHNOLOGY LLC**, Carmel, CA (US)
- (\*\*) Term: **15 Years**
- (21) Appl. No.: **29/612,123**
- (22) Filed: **Jul. 28, 2017**
- (51) **LOC (11) Cl.** ..... **13-03**
- (52) **U.S. Cl.**  
USPC ..... **D13/177; D13/171**
- (58) **Field of Classification Search**  
USPC ..... D13/158, 171, 173, 174, 177  
CPC .. H01H 3/02; H01H 3/022; H01H 3/12; H01H 3/122; H01H 9/02; H01H 9/0235; H01H 9/04; H01H 9/041; H01H 19/06; H01H 19/065; H01H 13/02; H01H 13/04; H01H 13/06; H01H 13/14; H01H 13/20; H01H 13/50; H01H 13/86; H01H 21/08; H01H 2223/002; H01H 2223/003  
See application file for complete search history.

- 6,635,838 B1 \* 10/2003 Kornelson ..... H01H 9/041  
200/302.2
- 6,717,082 B1 \* 4/2004 Wu ..... H01H 13/063  
200/302.2
- D496,336 S \* 9/2004 Wang ..... D13/171
- 7,145,091 B1 \* 12/2006 Wang ..... H01H 23/025  
200/302.3
- 7,439,464 B2 \* 10/2008 Yamamoto ..... B60Q 1/441  
200/302.1
- D611,916 S \* 3/2010 Wu ..... D13/171
- D645,005 S \* 9/2011 Menheere ..... D13/171
- 8,344,277 B1 \* 1/2013 Bloch ..... H01H 13/06  
200/302.2
- 8,766,119 B2 \* 7/2014 Cotha ..... H01H 13/06  
200/302.2
- D736,722 S \* 8/2015 Chu ..... D13/171
- D739,361 S \* 9/2015 Wenji ..... D13/171
- 2010/0072046 A1 \* 3/2010 Maeda ..... H01H 13/06  
200/302.2

(Continued)

*Primary Examiner* — Selina Sikder

(57) **CLAIM**

The ornamental design for a waterproof switch assembly, as shown and described.

**DESCRIPTION**

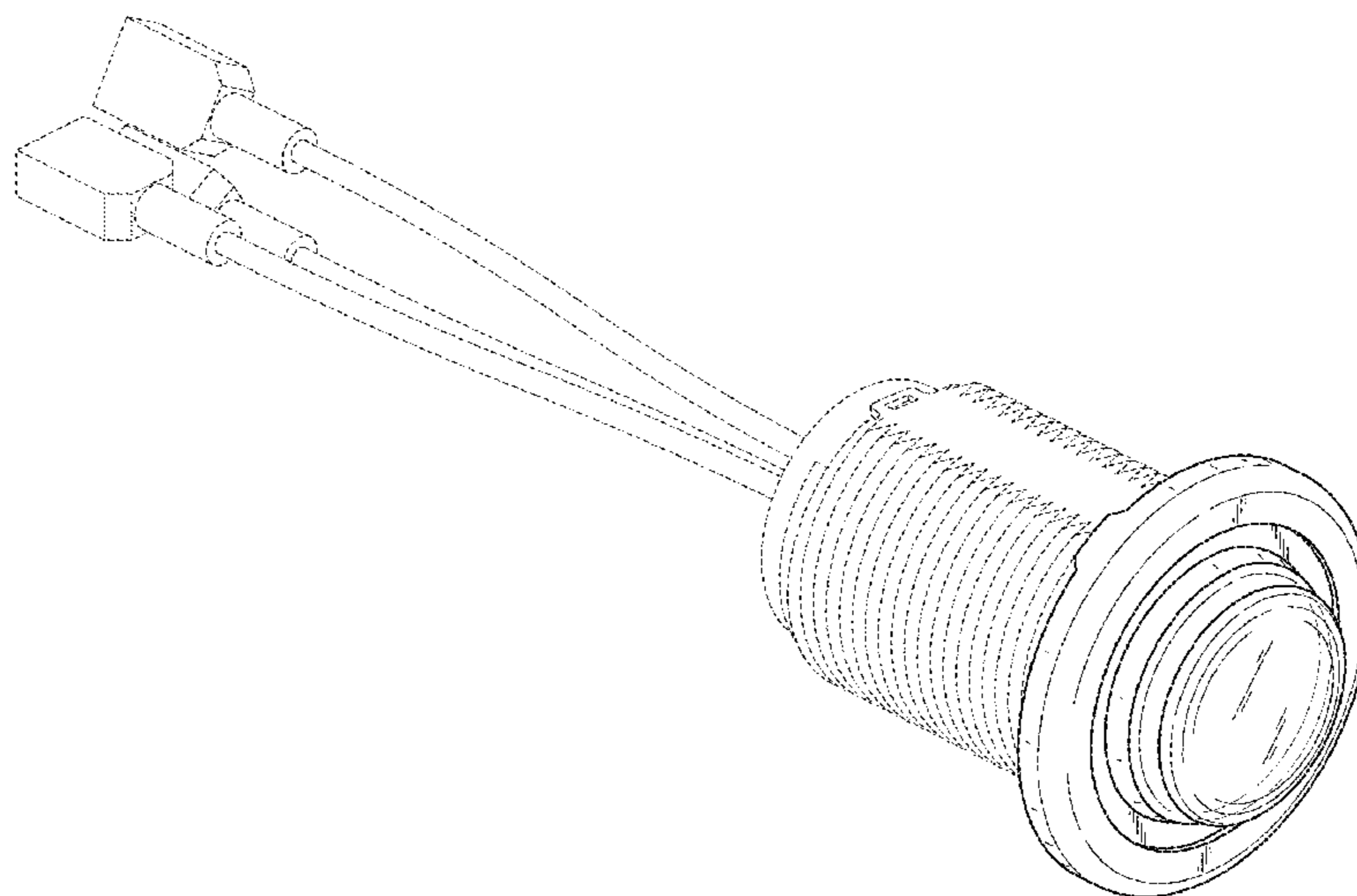
FIG. 1 is a front perspective view of the waterproof switch assembly showing my new design;  
 FIG. 2 is a rear perspective view thereof;  
 FIG. 3 is a front elevation view thereof;  
 FIG. 4 is a rear elevation view thereof;  
 FIG. 5 is a left side elevation view thereof;  
 FIG. 6 is a right side elevation view thereof;  
 FIG. 7 is a top plan view thereof; and,  
 FIG. 8 is a bottom plan view thereof.  
 The broken lines shown in the drawings illustrate portions of the waterproof switch assembly that form no part of the claimed design.

**1 Claim, 7 Drawing Sheets**

(56) **References Cited**

U.S. PATENT DOCUMENTS

- 3,740,501 A \* 6/1973 Kiessling ..... H01H 11/0006  
200/16 B
- 5,413,358 A \* 5/1995 Austin, Jr. .... G05G 25/04  
200/302.2
- D362,841 S \* 10/1995 Roza ..... D13/171
- 5,990,431 A \* 11/1999 Wright ..... H01H 23/06  
200/302.3
- 6,064,019 A \* 5/2000 Buchan ..... H01H 13/70  
200/302.2
- 6,608,269 B1 \* 8/2003 Wu ..... H01H 13/06  
200/296



(56)

**References Cited**

U.S. PATENT DOCUMENTS

2010/0314227 A1\* 12/2010 Nogami ..... H01H 25/06  
200/302.1  
2011/0154814 A1\* 6/2011 Campbell ..... F15B 7/08  
60/407  
2012/0140457 A1\* 6/2012 McQuade ..... H01H 9/04  
362/184  
2014/0262712 A1\* 9/2014 Chu ..... H01H 13/06  
200/302.2  
2015/0213975 A1\* 7/2015 Zheng ..... H01H 13/83  
200/5 A  
2015/0303658 A1\* 10/2015 Wu ..... H01H 9/08  
74/529  
2017/0213670 A1\* 7/2017 Okano ..... H01H 19/06  
2017/0287656 A1\* 10/2017 Rong ..... H01H 13/06

\* cited by examiner

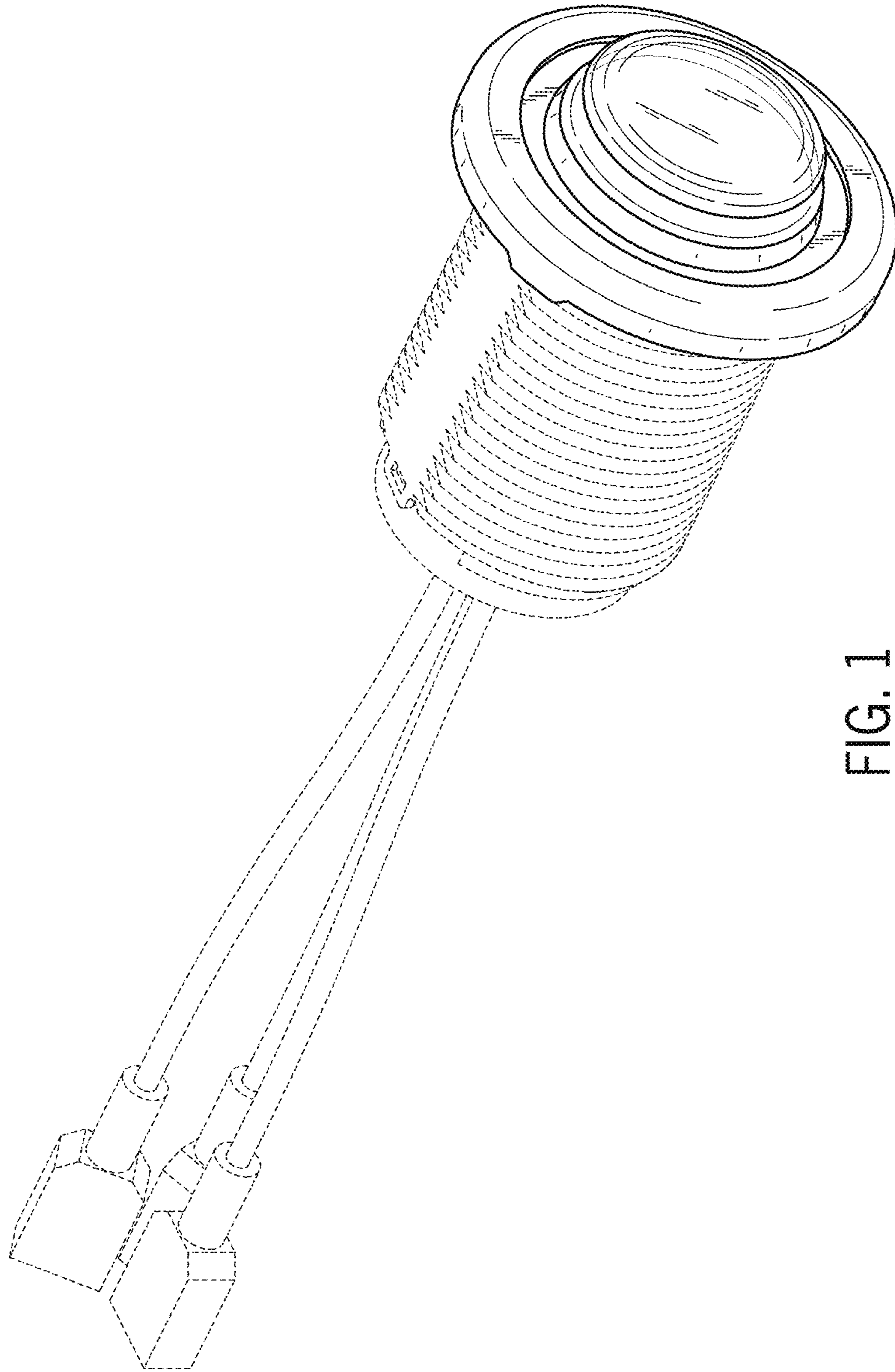


FIG. 1

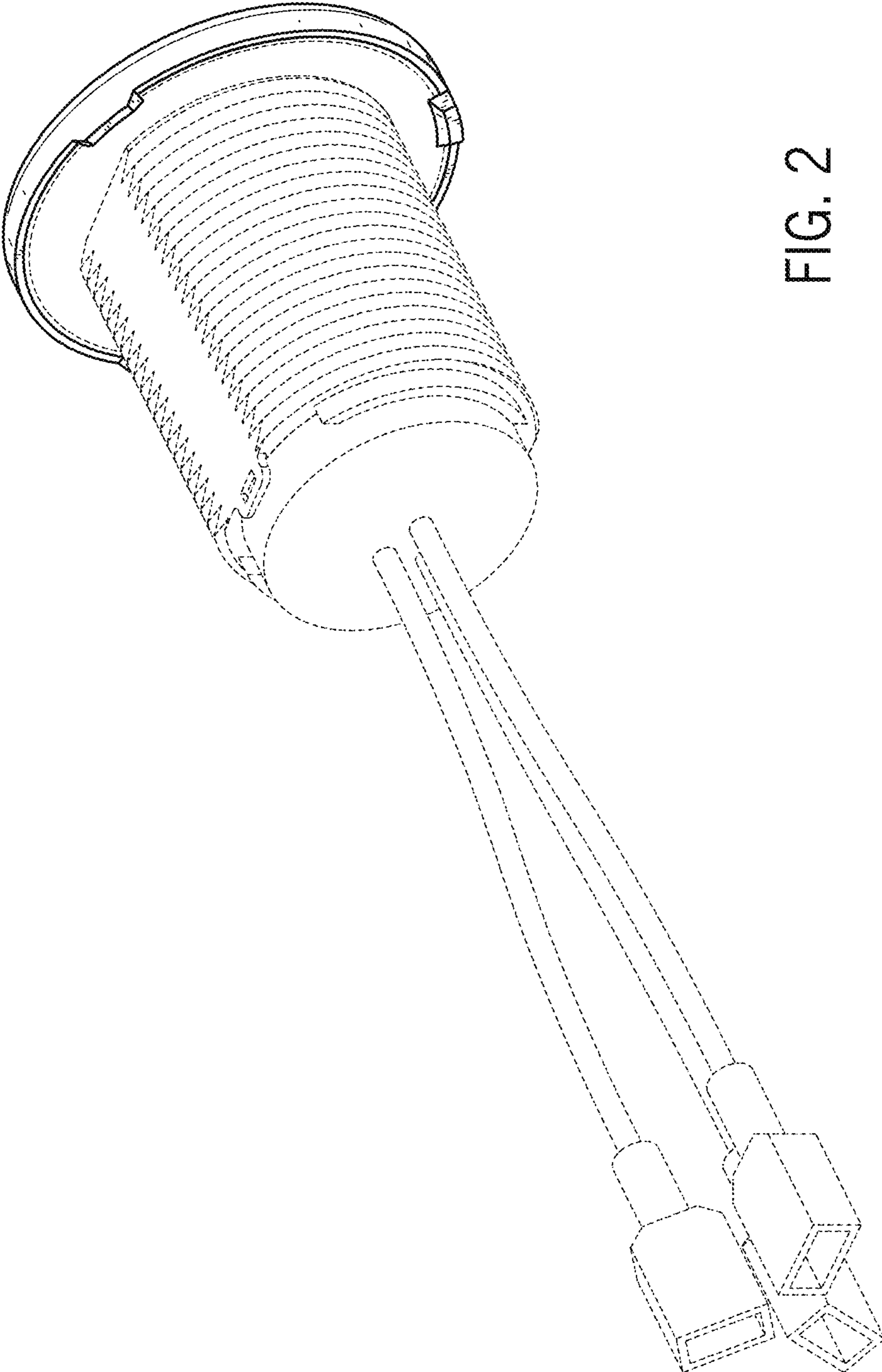


FIG. 2

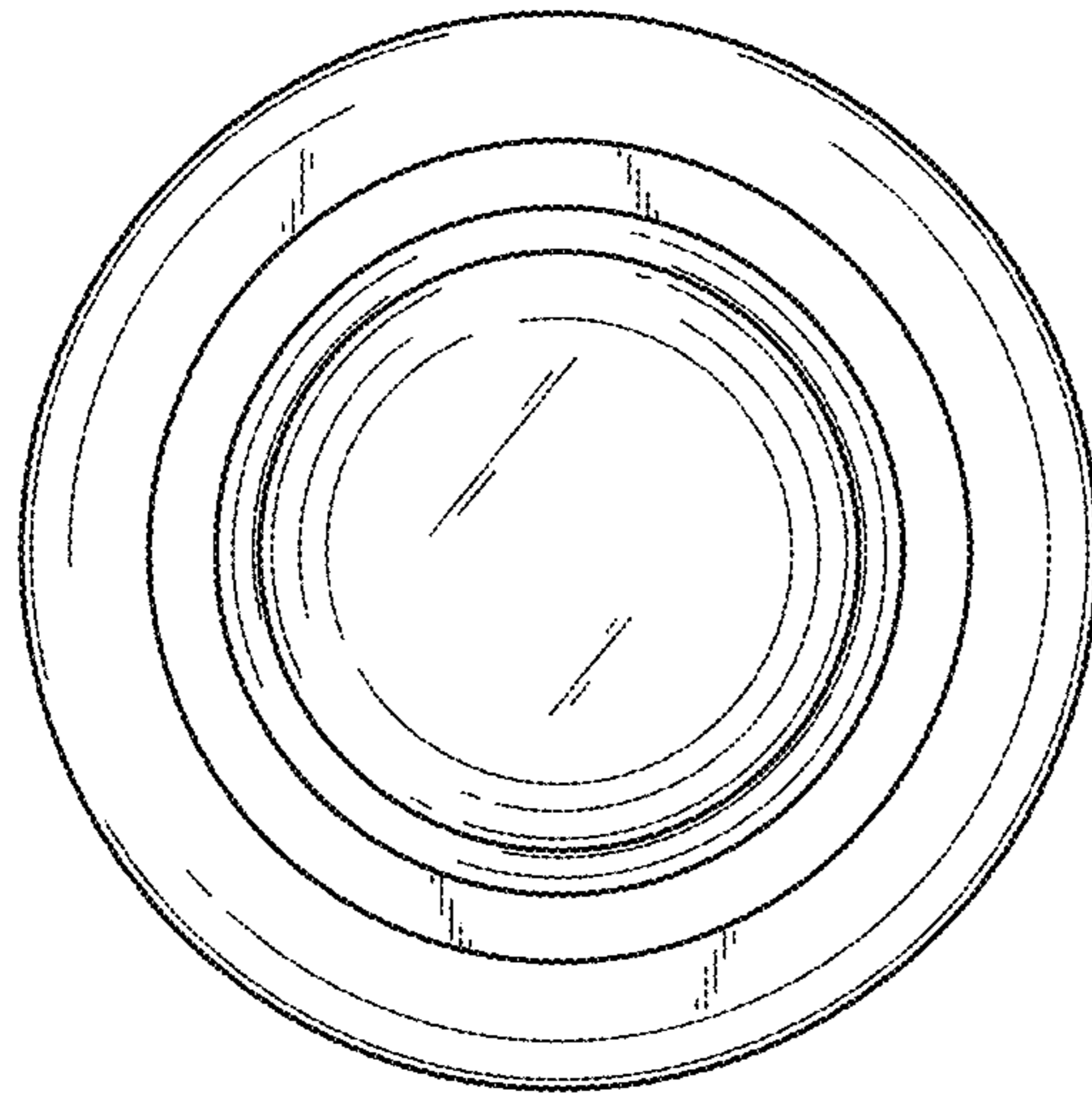


FIG. 3

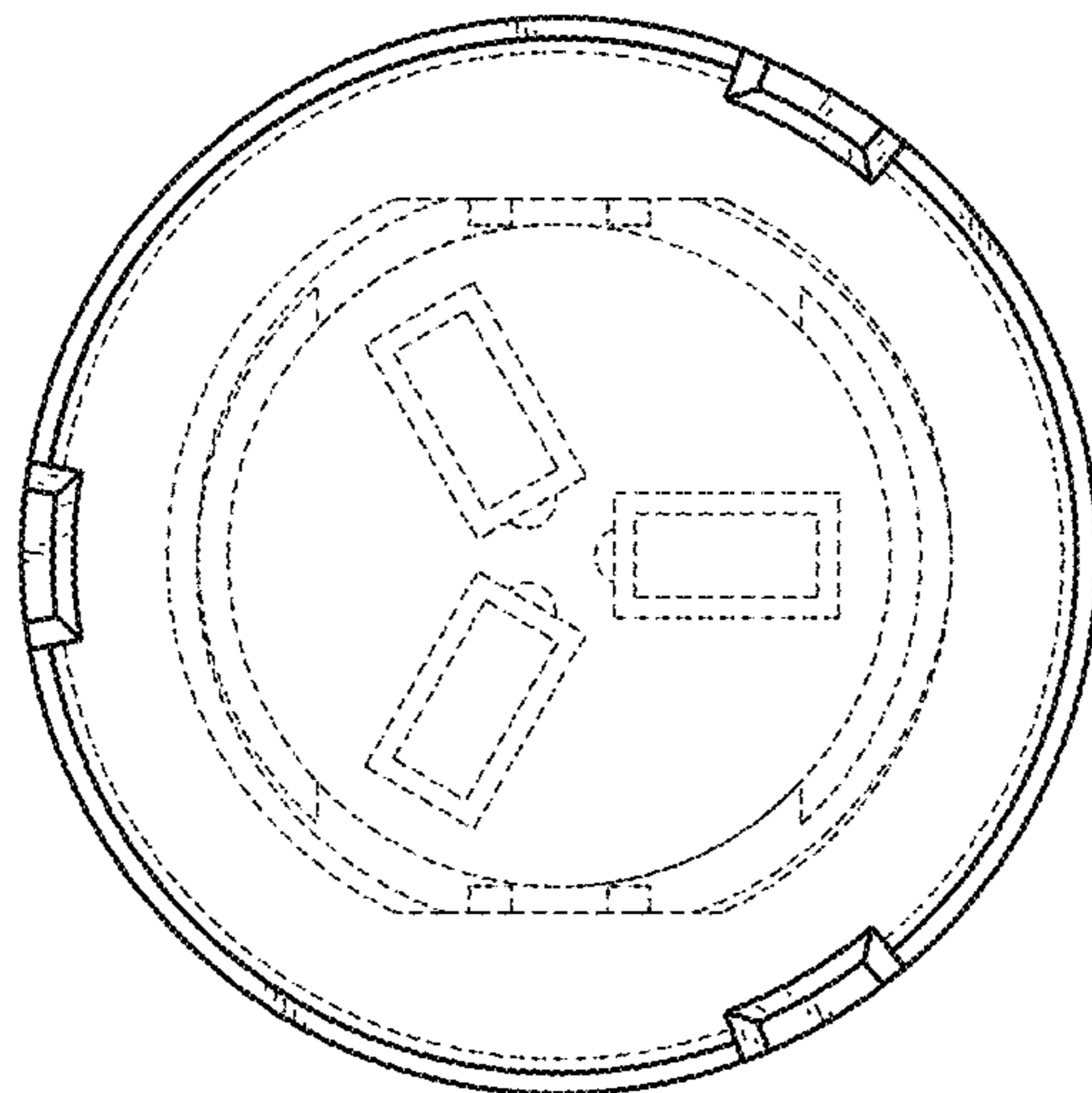


FIG. 4

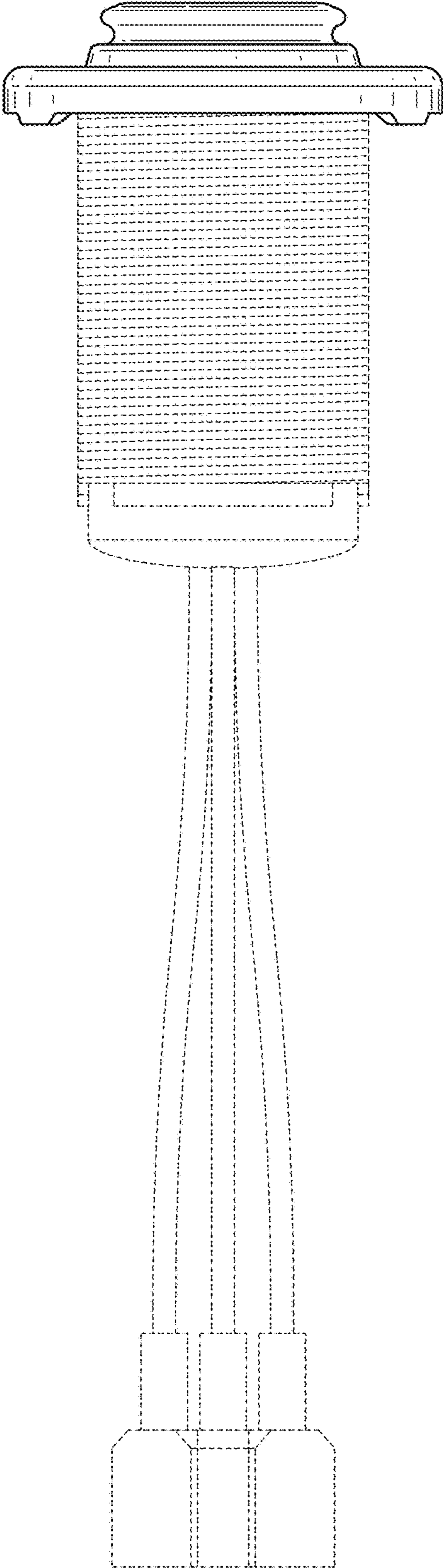


FIG. 5

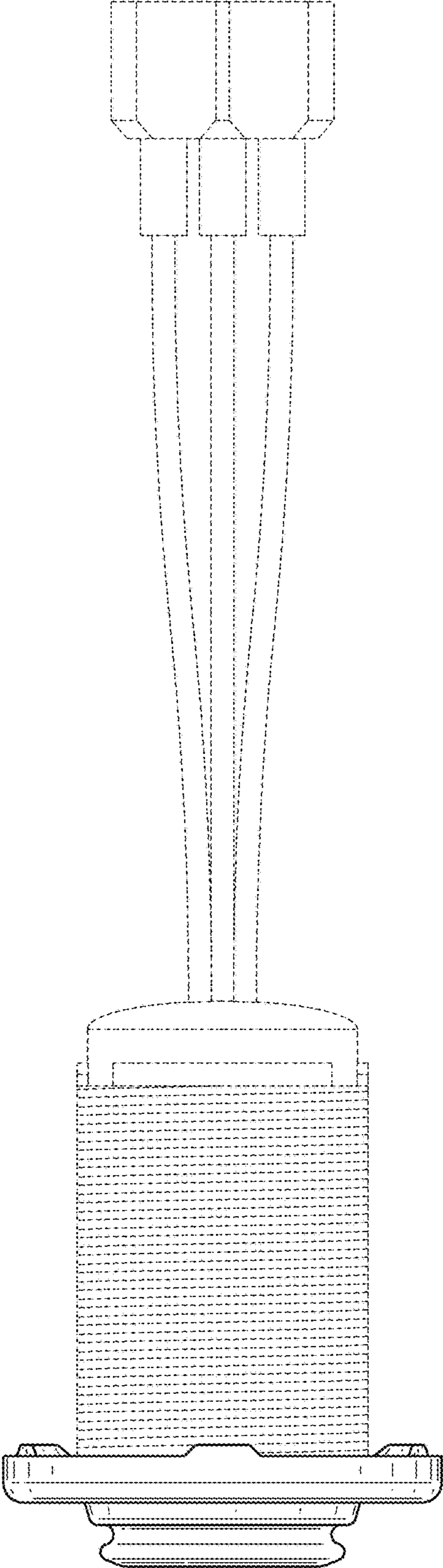


FIG. 6

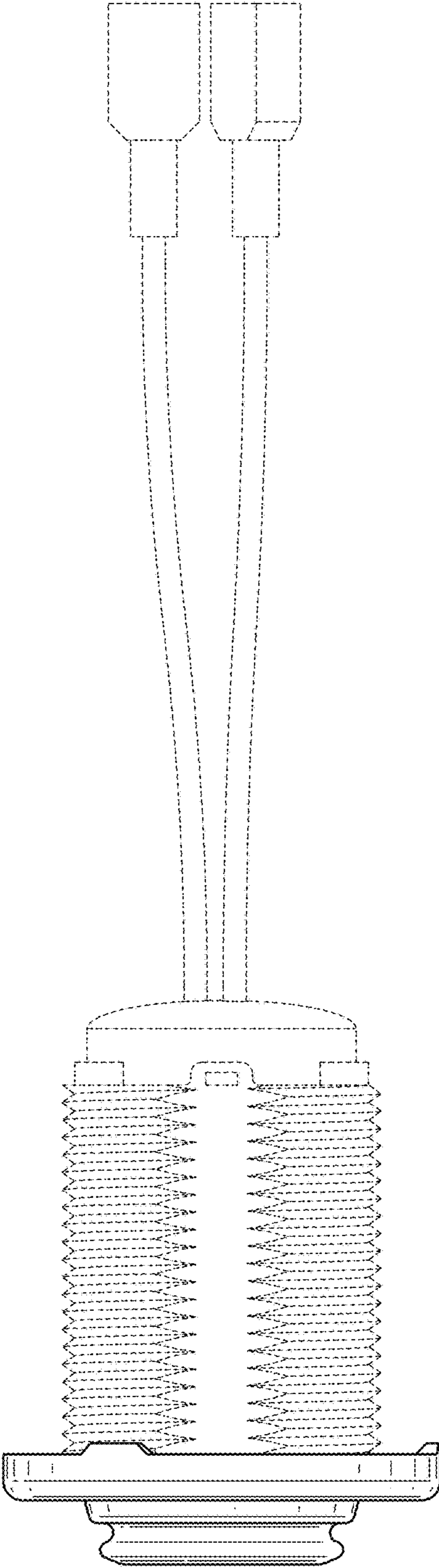


FIG. 7



FIG. 8

