



US00D813827S

(12) **United States Design Patent** (10) **Patent No.:** **US D813,827 S**  
**Worsham** (45) **Date of Patent:** **\*\* Mar. 27, 2018**

(54) **SWITCH BASE FOR AN ANTI-VANDAL SWITCH**

(71) Applicant: **David Worsham**, Santa Rosa Beach, FL (US)

(72) Inventor: **David Worsham**, Santa Rosa Beach, FL (US)

(\*\*) Term: **15 Years**

(21) Appl. No.: **29/578,623**

(22) Filed: **Sep. 22, 2016**

(51) **LOC (11) Cl.** ..... **13-03**

(52) **U.S. Cl.**  
USPC ..... **D13/173; D13/146**

(58) **Field of Classification Search**  
USPC ..... D13/110, 112, 118, 123, 133, 134, 146, D13/147, 151, 154, 171, 173, 174, 182, D13/184, 199  
CPC .. H01H 5/02; H01H 5/12; H01H 9/00; H01H 9/02; H01H 13/00; H01H 13/02; H01H 13/52; H01H 13/70; H01H 23/00; H01H 23/02; H01H 23/06

See application file for complete search history.

(56) **References Cited**

**U.S. PATENT DOCUMENTS**

3,694,598	A *	9/1972	Nishikawa	.....	H01H 23/02 200/437
D377,005	S *	12/1996	Lin	.....	D13/134
D462,668	S *	9/2002	Yu	.....	D13/169
D502,149	S *	2/2005	Bohn	.....	D13/169
D511,504	S *	11/2005	Sang	.....	D13/171
D514,072	S *	1/2006	Martinez	.....	D13/174
D522,462	S	6/2006	Kondas		
7,507,924	B2 *	3/2009	Lorenzo Riera	.....	H01H 13/023 200/314

D611,916	S *	3/2010	Wu	.....	D13/171
D645,004	S *	9/2011	Menheere	.....	D13/171
D645,005	S *	9/2011	Menheere	.....	D13/171
D743,917	S *	11/2015	Muramoto	.....	D13/171
D753,070	S *	4/2016	Tsugawa	.....	D13/173
2015/0213970	A1 *	7/2015	Wu	.....	H01H 13/04 200/293

**OTHER PUBLICATIONS**

Vandal Resistant Switches—Illuminated Switches, dated Oct. 17, 2010, [online], [site visited Jan. 3, 2018]. Available from Internet, <URL : <http://www.vandal-resistant-switch.com/html/illuminated-switches-I22.htm>>.\*  
E-switch; [https://www.e-switch.com/system/asset/product\\_line/data\\_sheet/9/PV7.pdf](https://www.e-switch.com/system/asset/product_line/data_sheet/9/PV7.pdf).

\* cited by examiner

*Primary Examiner* — Cathron C Brooks  
*Assistant Examiner* — Shawn T Gingrich  
(74) *Attorney, Agent, or Firm* — Gerald M. Walsh; Leo Law Firm, LLC

(57) **CLAIM**

I claim the ornamental design for a switch base for an anti-vandal switch, as shown and described.

**DESCRIPTION**

FIG. 1 is a front, left side, top perspective view of a switch base for an anti-vandal switch showing my new design; FIG. 2 is a front elevational view thereof, the rear elevation view being identical; FIG. 3 is a right side elevational view thereof; FIG. 4 is a left side elevational view thereof; FIG. 5 is a top plan view thereof; and, FIG. 6 is a bottom plan view thereof. The broken lines define the bounds of the claimed design and form no part thereof.

**1 Claim, 3 Drawing Sheets**

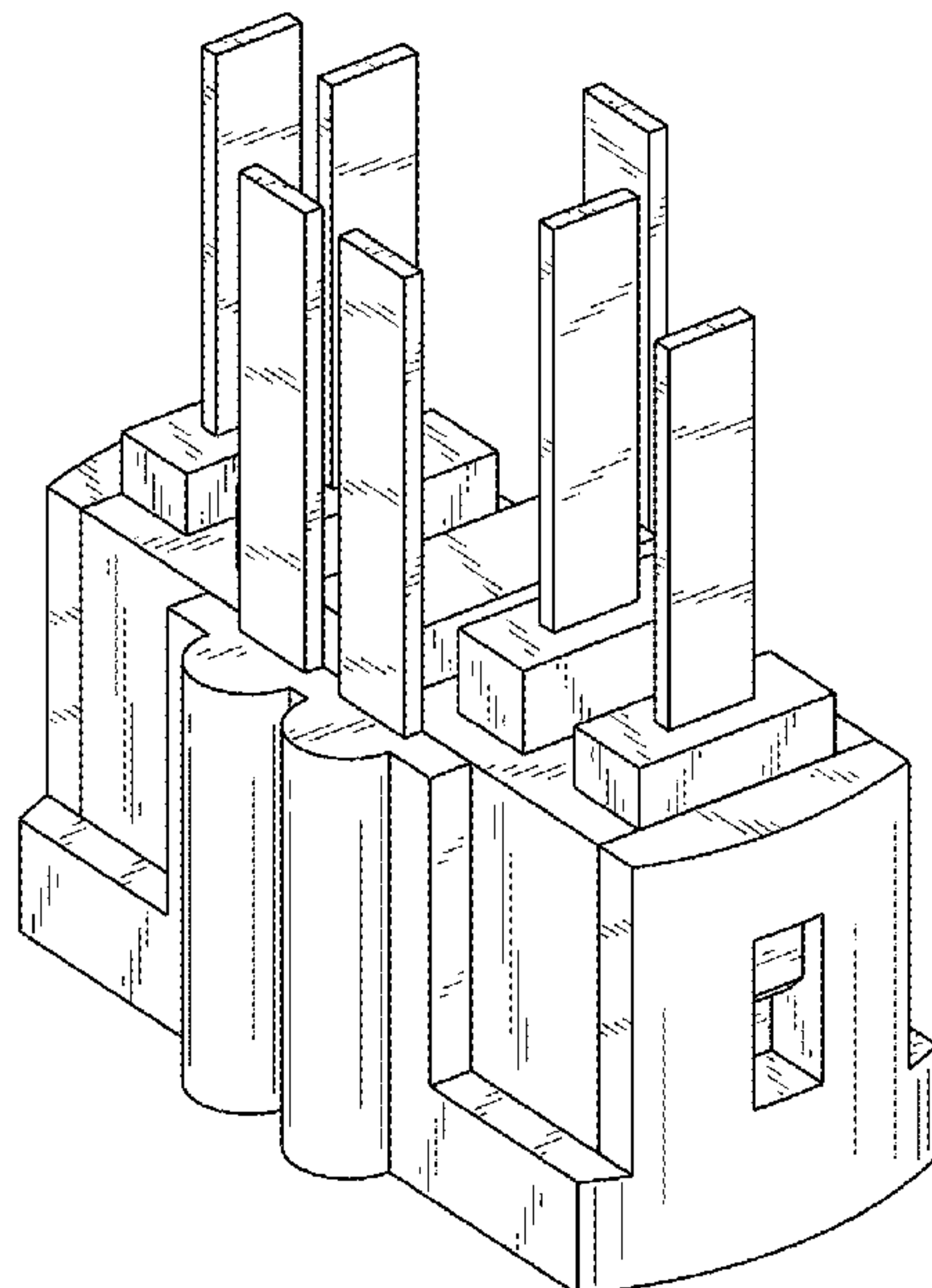


FIG. 1

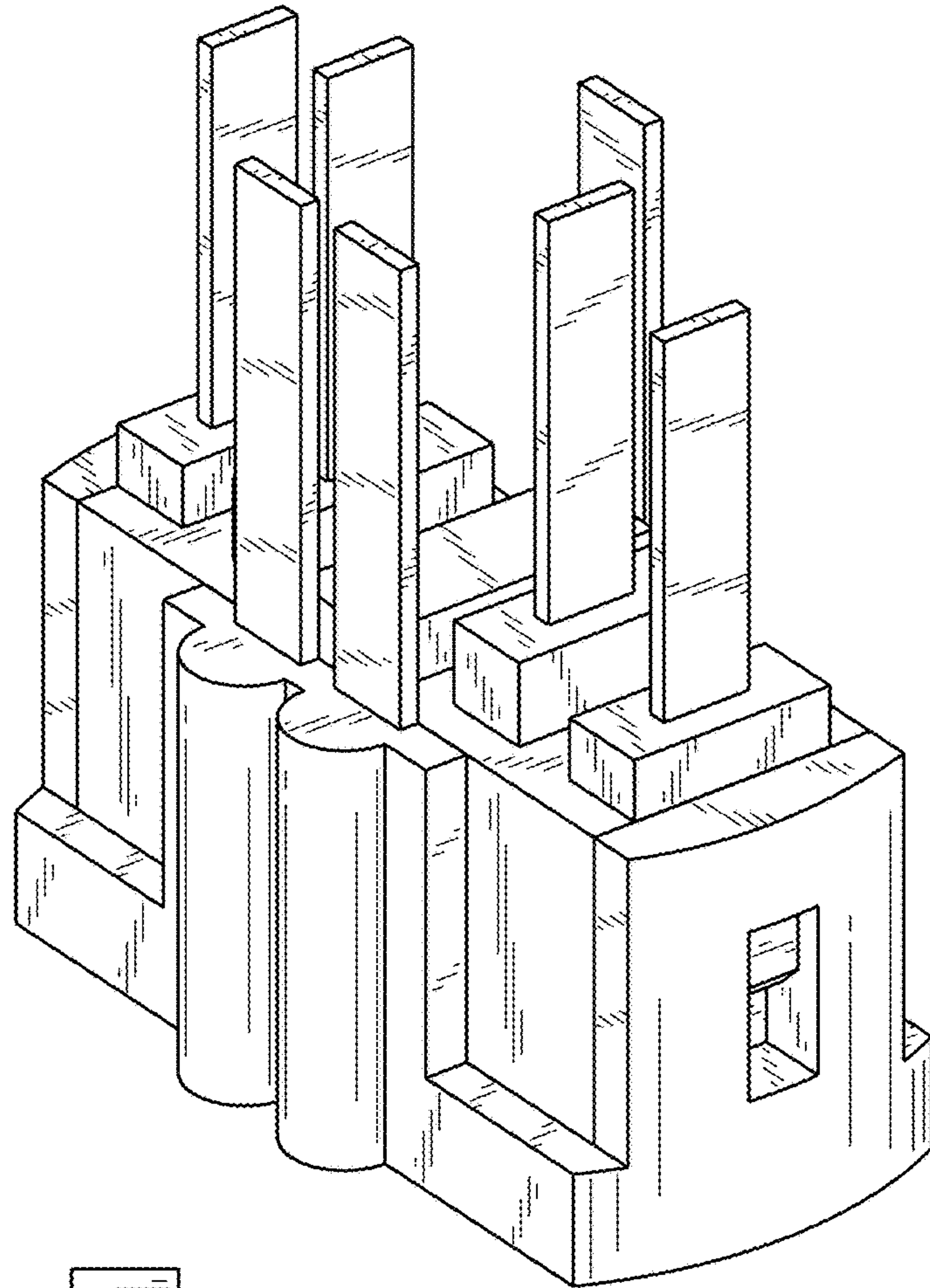


FIG. 2

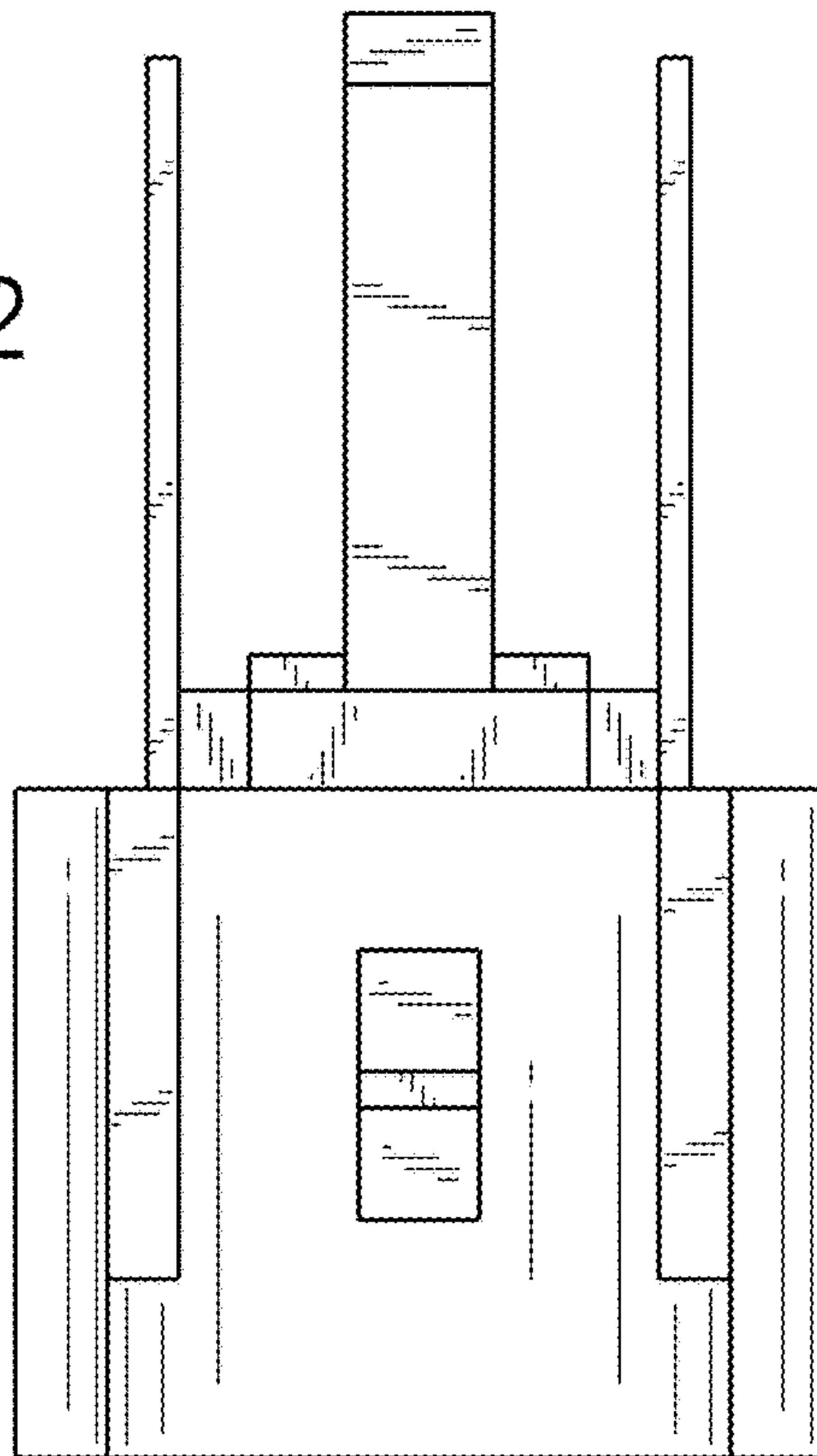


FIG. 3

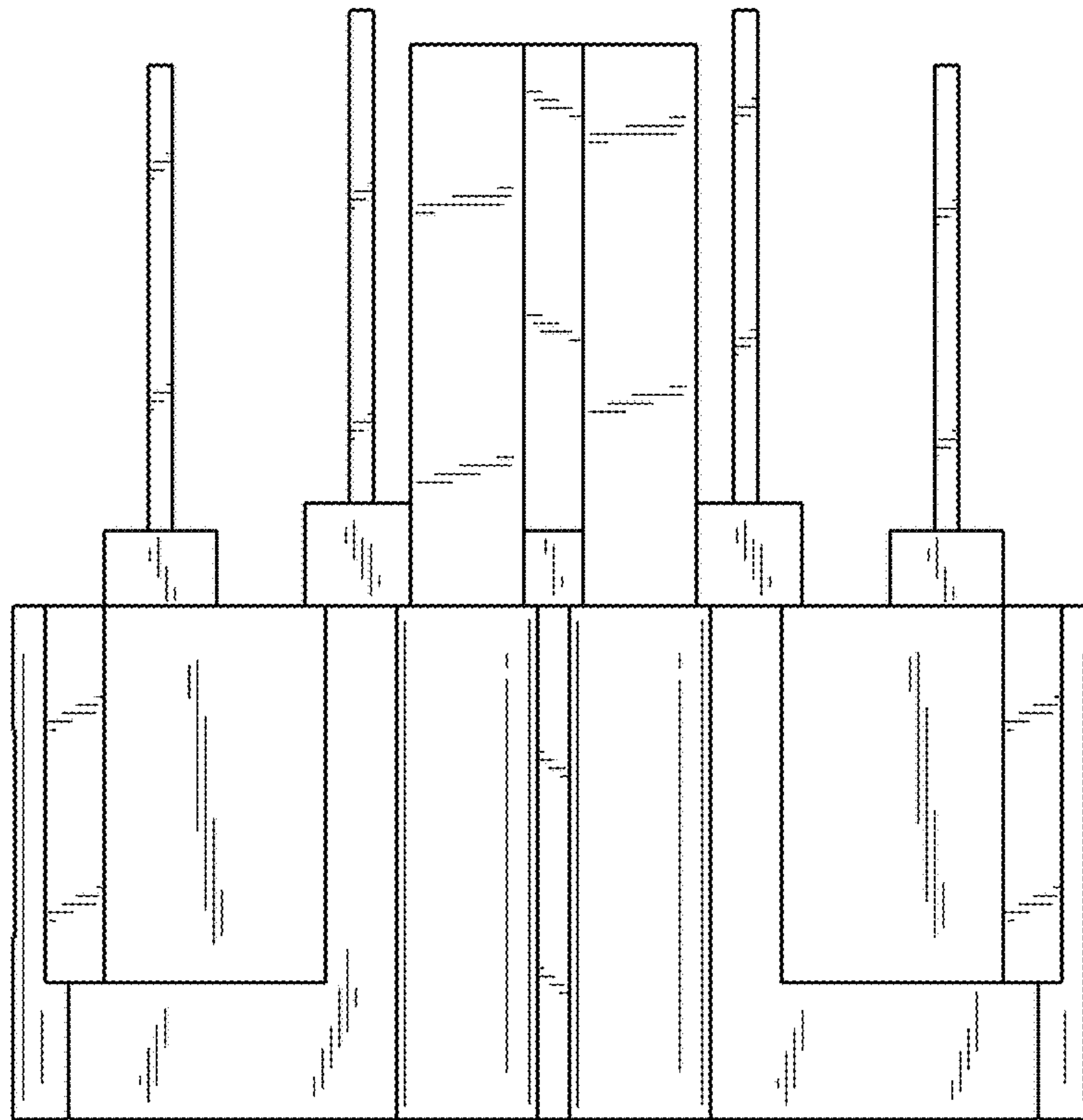
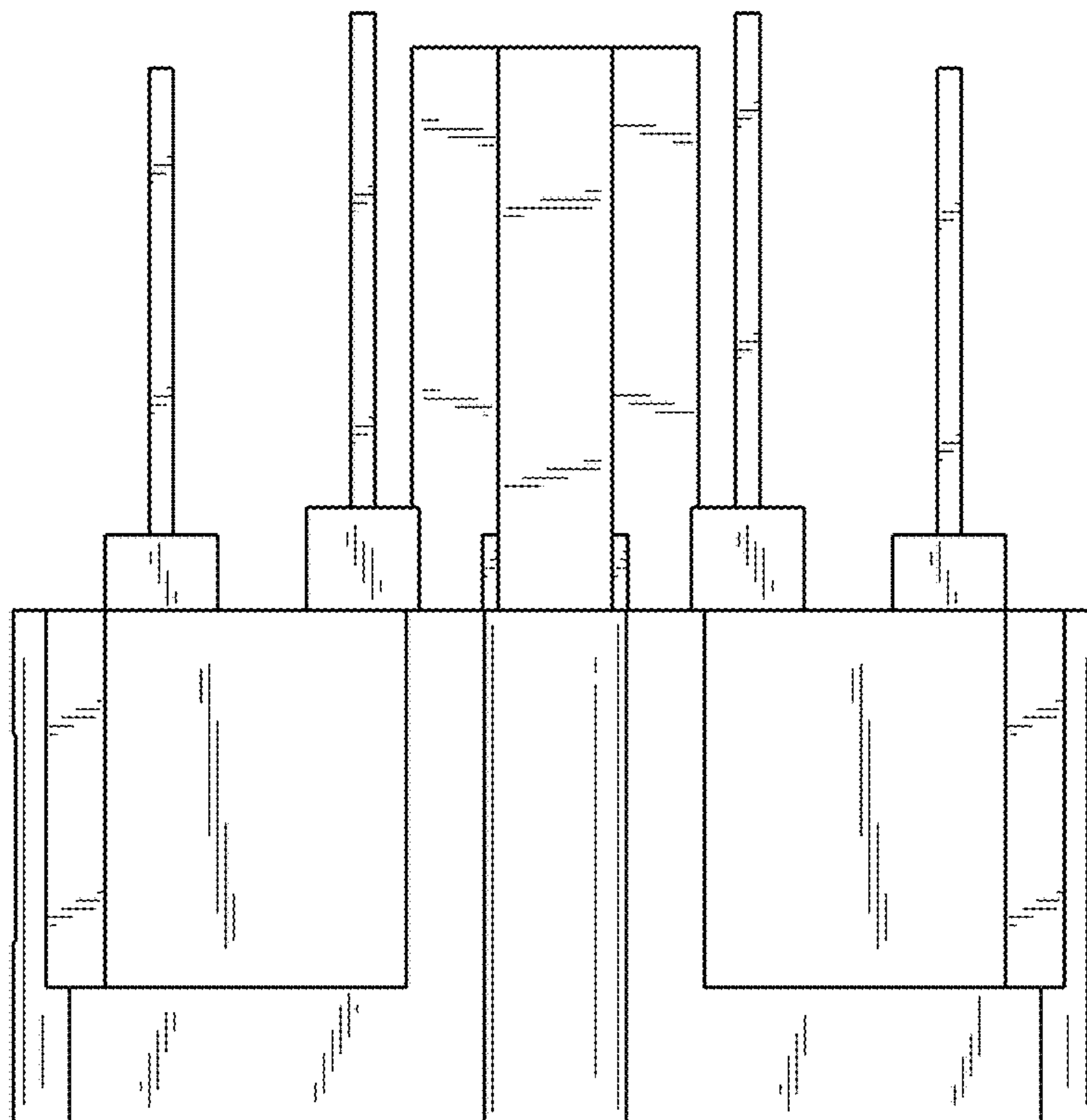


FIG. 4



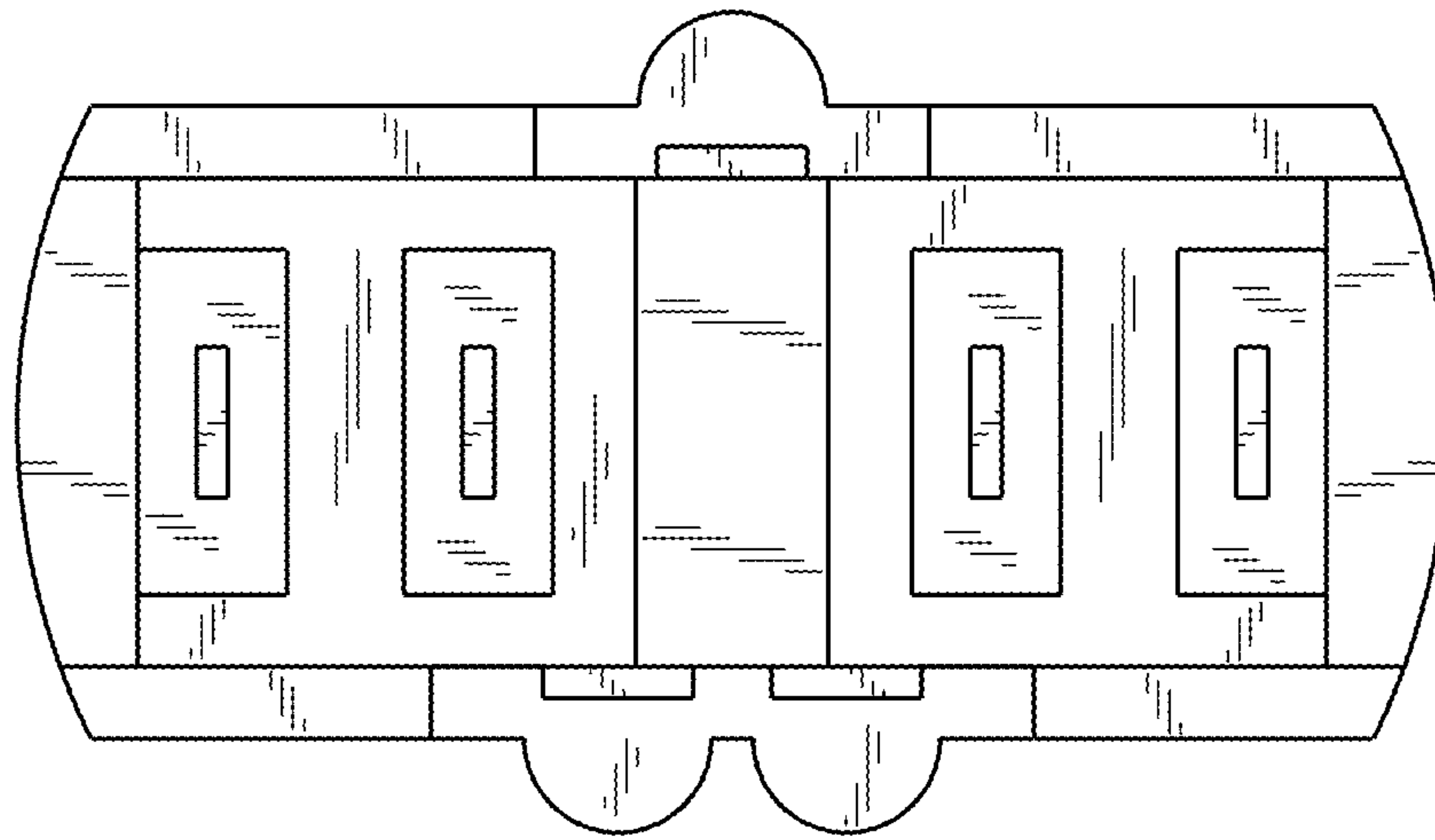


FIG. 5

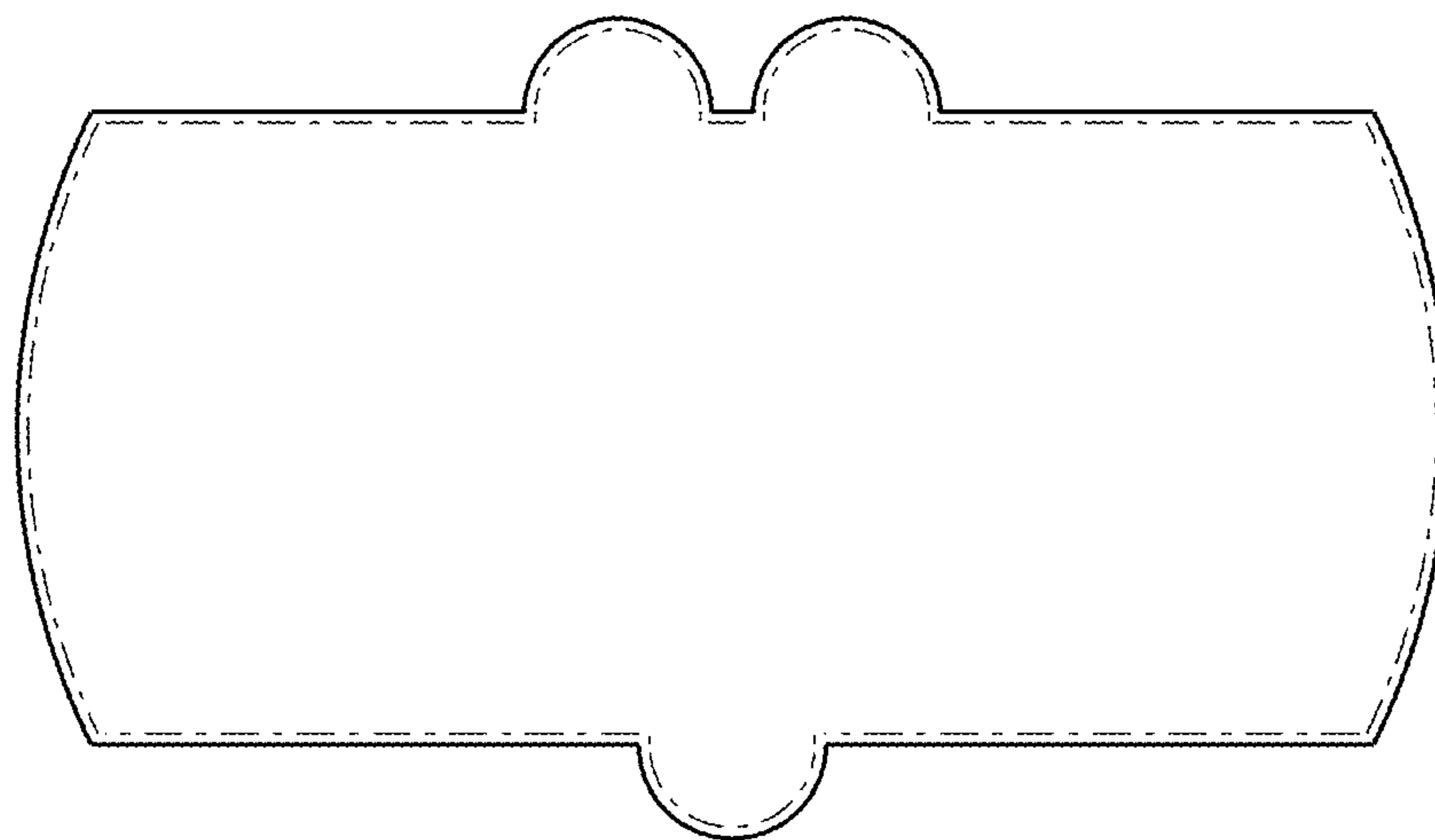


FIG. 6