



US00D813825S

(12) **United States Design Patent** (10) **Patent No.:** **US D813,825 S**  
**Tomerlin et al.** (45) **Date of Patent:** **\*\* Mar. 27, 2018**

(54) **TRANSMITTER**

(71) Applicant: **The Chamberlain Group, Inc.**,  
Elmhurst, IL (US)

(72) Inventors: **Kenneth F. Tomerlin**, Darien, IL (US);  
**Darryl P. De Wind**, West Olive, MI  
(US)

(73) Assignee: **The Chamberlain Group, Inc.**, Oak  
Brook, IL (US)

(\*\*) Term: **15 Years**

(21) Appl. No.: **29/573,550**

(22) Filed: **Aug. 8, 2016**

(51) **LOC (11) Cl.** ..... **14-03**

(52) **U.S. Cl.**  
USPC ..... **D13/168**

(58) **Field of Classification Search**  
USPC ..... D13/168; D14/218; D10/104.1, 106.1  
CPC .... H03J 1/0025; H03J 9/00; H03J 9/02; H03J  
9/04; H03J 9/06; H04B 1/202; G05B  
11/01; G08C 17/00; G08C 17/02; G08C  
19/28; G07C 9/00309; G07C 9/00182;  
G07C 9/00944; G07C 9/00174; G07C  
2009/00206; G07C 2009/00214; G07C  
2009/00928; E05F 15/77

See application file for complete search history.

(56) **References Cited**

**U.S. PATENT DOCUMENTS**

D377,767 S	2/1997	Doppelt	
D378,200 S	2/1997	Doppelt	
D380,696 S	7/1997	Doppelt	
D381,962 S	8/1997	Doppelt	
D409,577 S	5/1999	Doppelt	
6,091,343 A *	7/2000	Dykema	..... G07C 9/00857 340/13.21
D441,185 S	5/2001	Shimizu	

D490,380 S	5/2004	Coullahan
D494,144 S	8/2004	Guzman
D497,318 S	10/2004	Strand
D501,643 S	2/2005	Strand
D548,702 S	8/2007	Girard
D549,182 S	8/2007	Girard
D552,040 S	10/2007	Girard
D556,701 S	12/2007	Nohara

(Continued)

*Primary Examiner* — Selina Sikder

(74) *Attorney, Agent, or Firm* — Fitch, Even, Tabin &  
Flannery, LLP

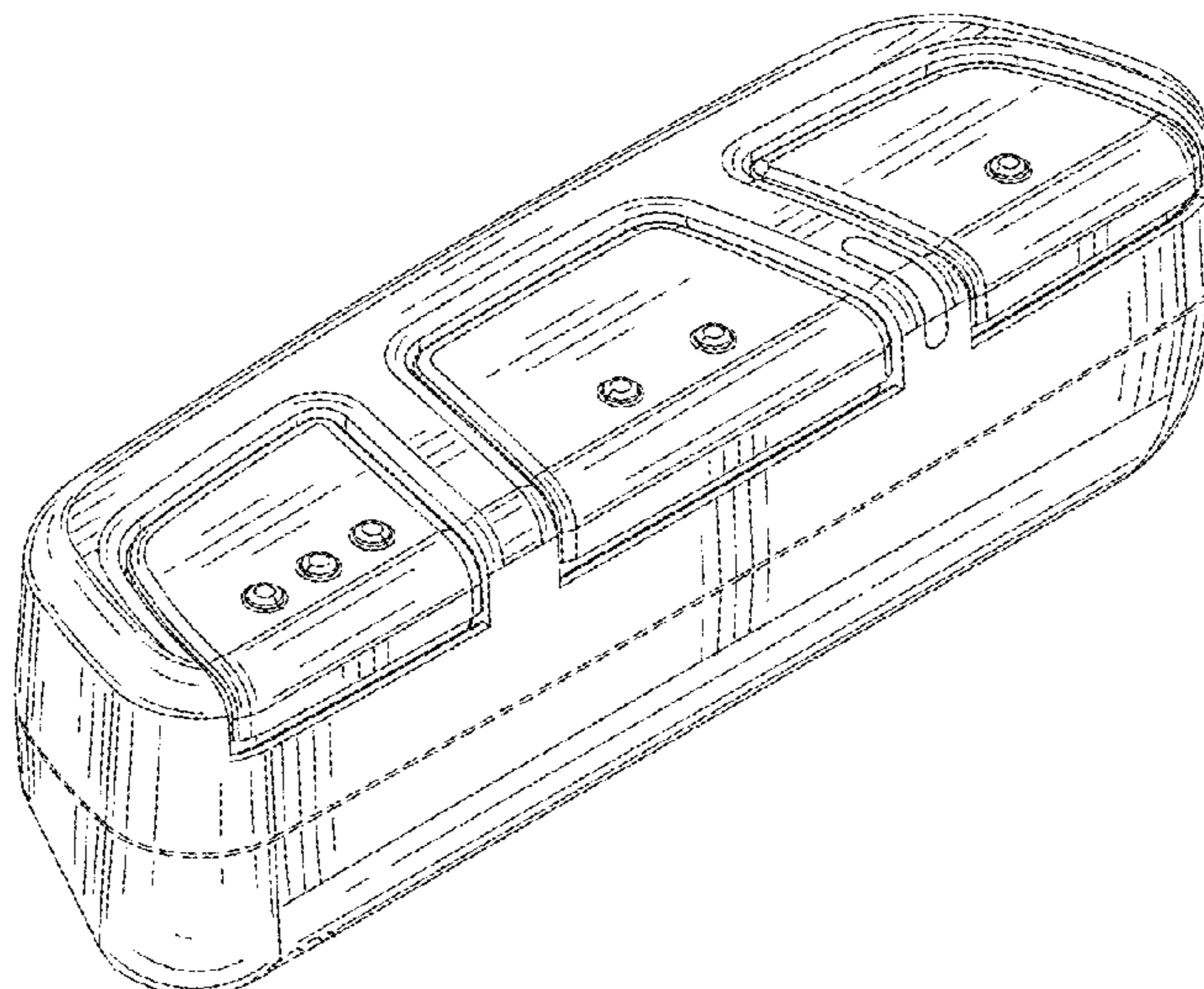
(57) **CLAIM**

We claim the ornamental design for transmitter, as shown  
and described.

**DESCRIPTION**

FIG. 1 is a perspective view of transmitter in accordance  
with my new design;  
FIG. 2 is a left side elevation view of the transmitter of FIG.  
1;  
FIG. 3 is a right side elevation view of the transmitter of  
FIGS. 1-2;  
FIG. 4 is a top view of the transmitter of FIGS. 1-3;  
FIG. 5 is a bottom view of the transmitter of FIGS. 1-4;  
FIG. 6 is a front elevation view of the transmitter of FIGS.  
1-5;  
FIG. 7 is a rear elevation view of the transmitter of FIGS.  
1-6;  
FIG. 8 is a perspective view of the transmitter of FIGS. 1-6  
illustrating the transmitter parts inserted into a rear view  
mirror of a vehicle; and,  
FIG. 9 is a perspective view of the transmitter of FIGS. 1-6  
illustrating the transmitter parts connected to a keyring.  
The transmitter portions shown in broken lines in the figures  
depict unclaimed environmental subject matter, are for illus-  
trative purposes only, and form no part of the claimed  
design.

**1 Claim, 6 Drawing Sheets**



(56)

**References Cited**

U.S. PATENT DOCUMENTS

D559,234	S	1/2008	Girard	
D561,703	S	2/2008	Shimokawa	
D571,305	S	6/2008	Thursfield	
D590,780	S	4/2009	DeBoer	
D592,158	S	5/2009	Peterson	
D638,394	S	5/2011	Richards	
D667,382	S	9/2012	Cosentino	
8,598,983	B2	12/2013	Hattori	
D722,983	S	2/2015	Paredes	
D725,049	S	3/2015	Paredes	
D748,066	S	1/2016	Lee	
D751,515	S	3/2016	Paredes	
2004/0006707	A1	1/2004	Pretzlaff	
2004/0099430	A1	5/2004	Scudder	
2008/0147304	A1	6/2008	Pai	
2010/0238640	A1	9/2010	Yang	
2012/0087096	A1	4/2012	Shen	
2015/0302738	A1*	10/2015	Geerlings	..... G08C 17/02 340/5.25
2016/0037664	A1*	2/2016	Hendricks	..... G07C 9/00182 361/814
2017/0034485	A1	2/2017	Scalisi	
2017/0193722	A1*	7/2017	Geerlings	..... G07C 9/00309

\* cited by examiner

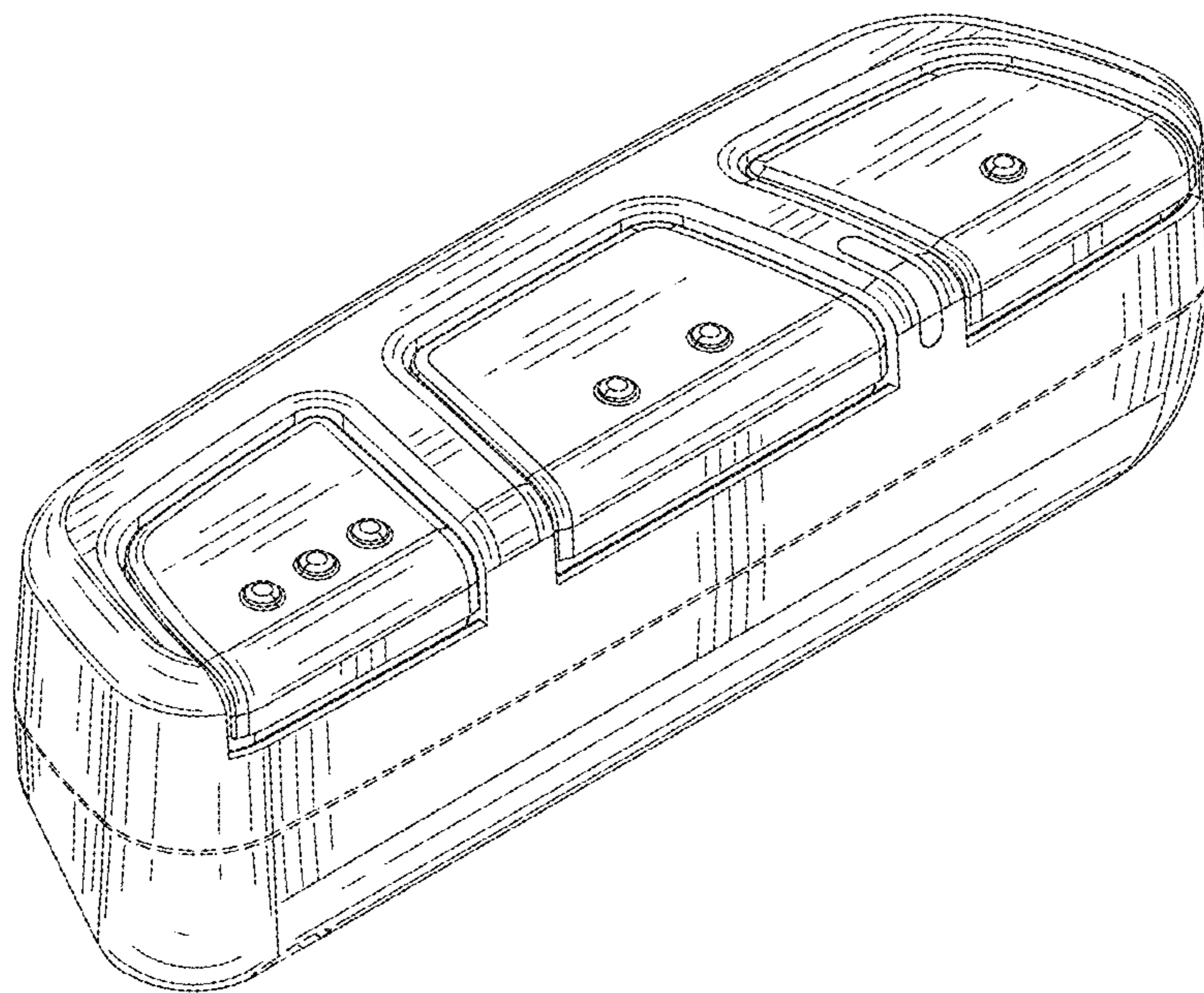


FIG. 1

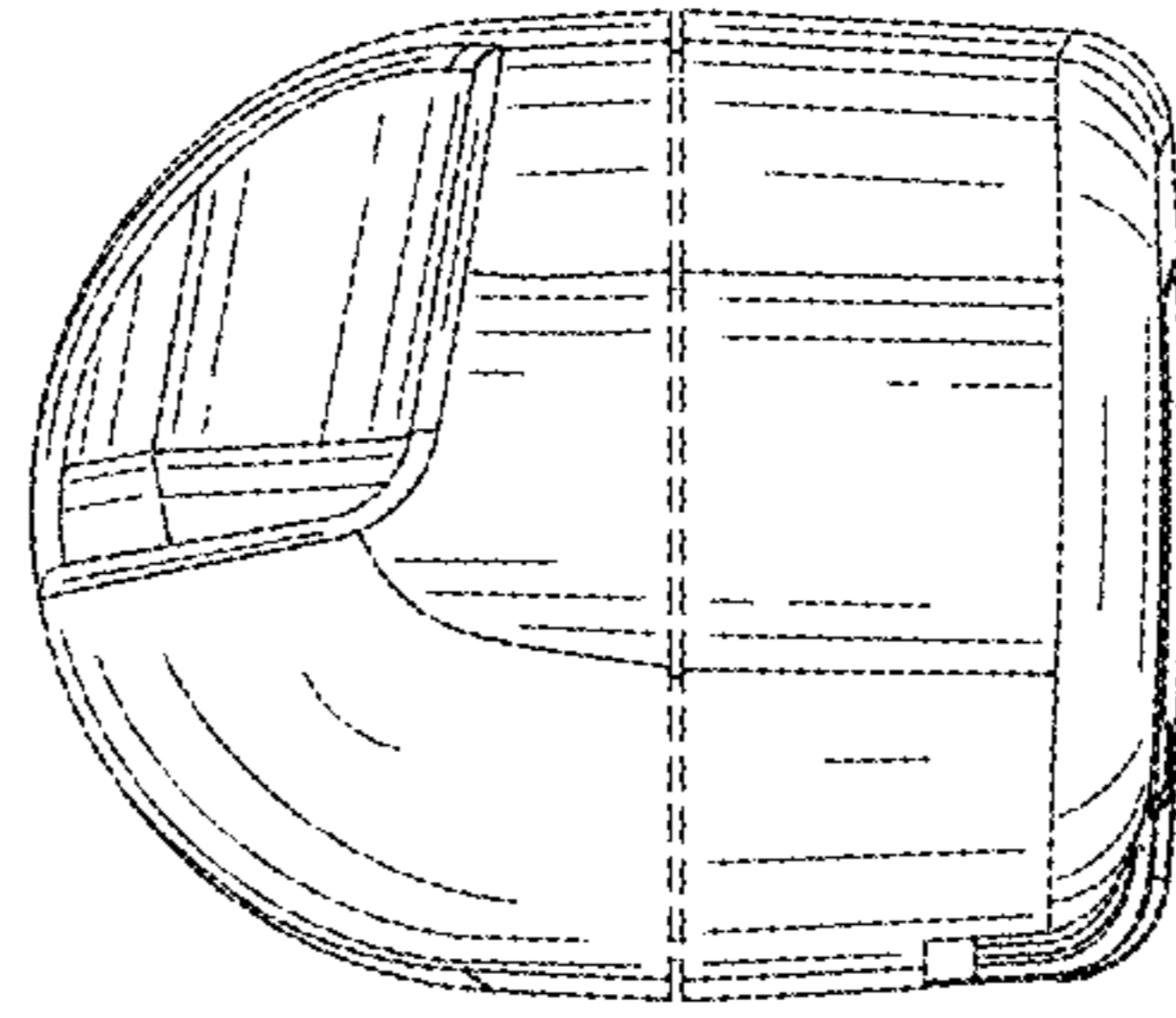


FIG. 2

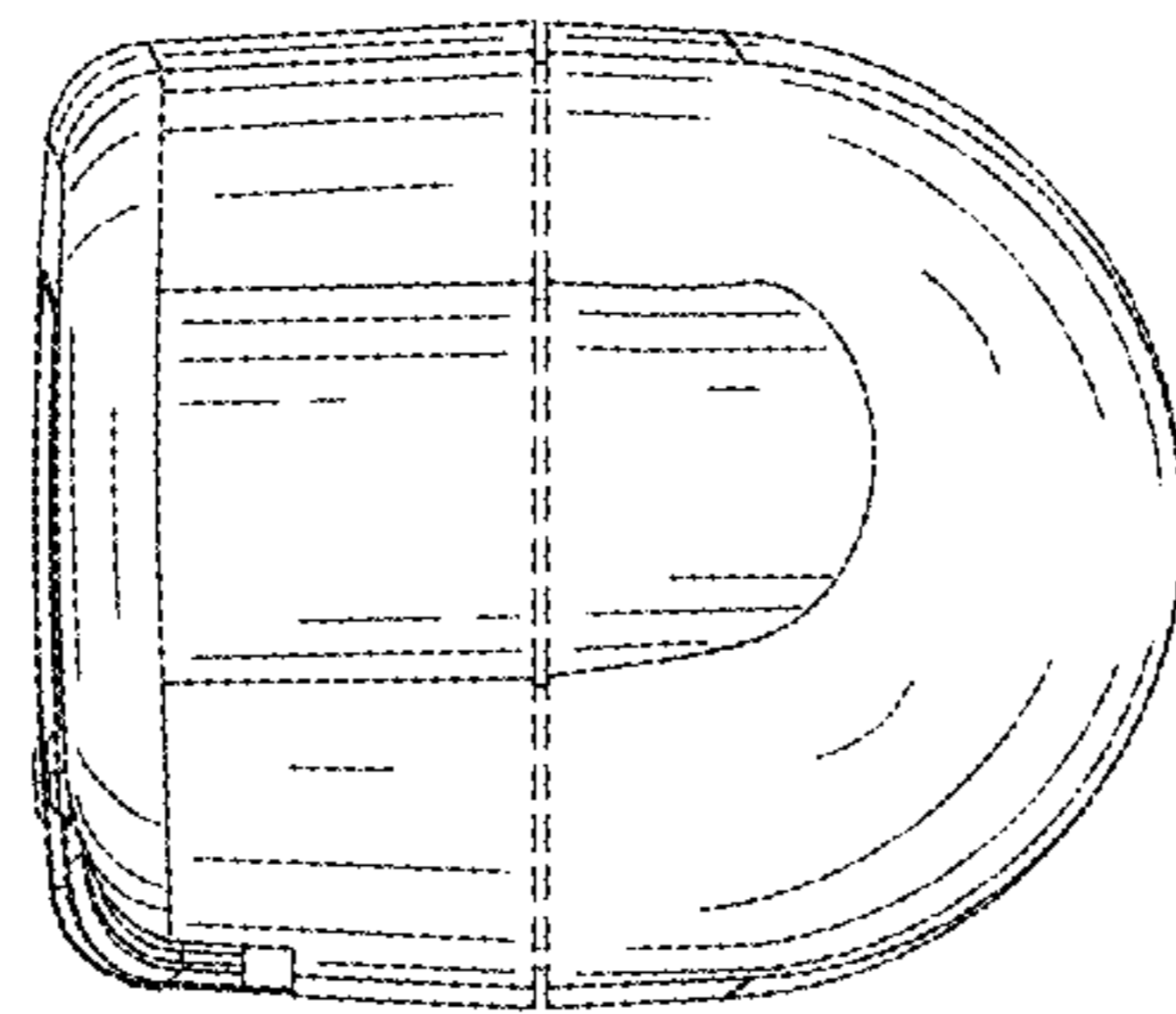


FIG. 3

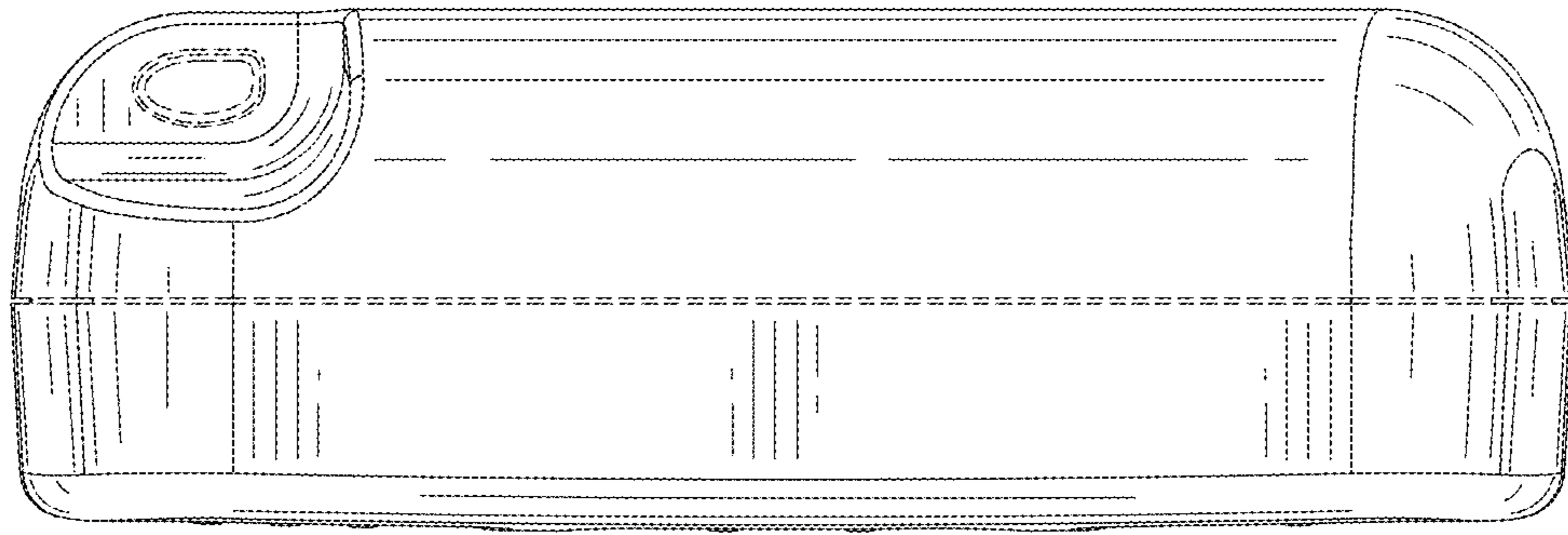


FIG. 4

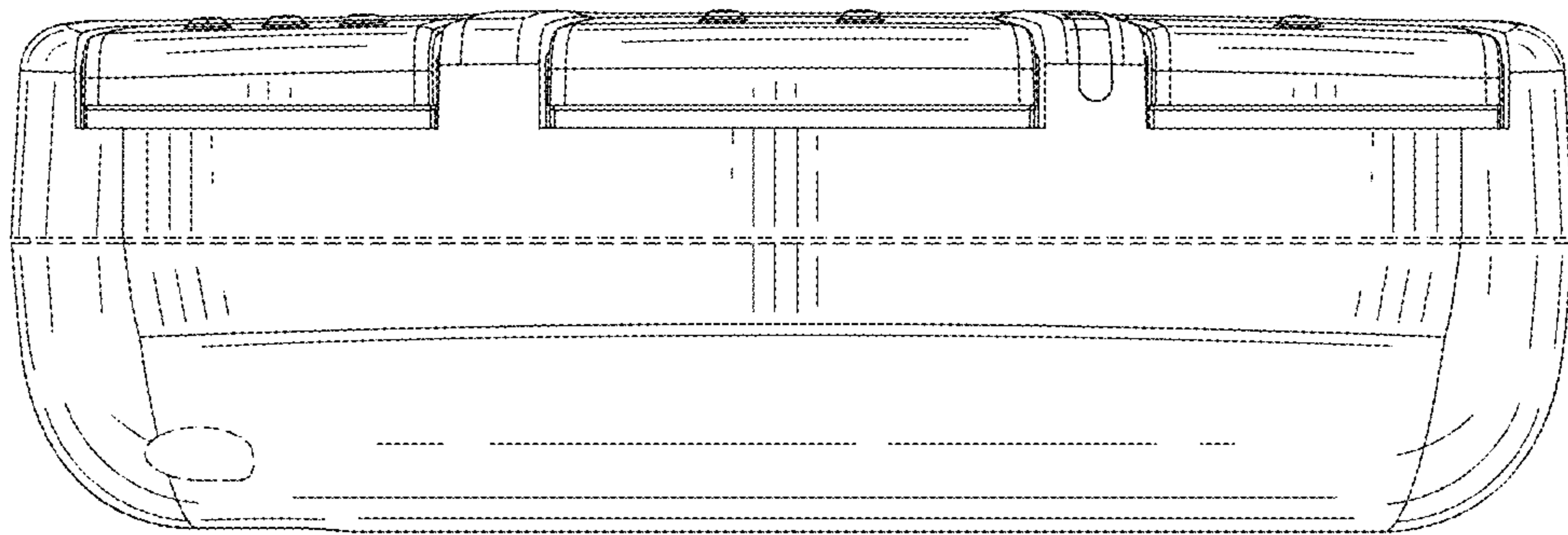


FIG. 5

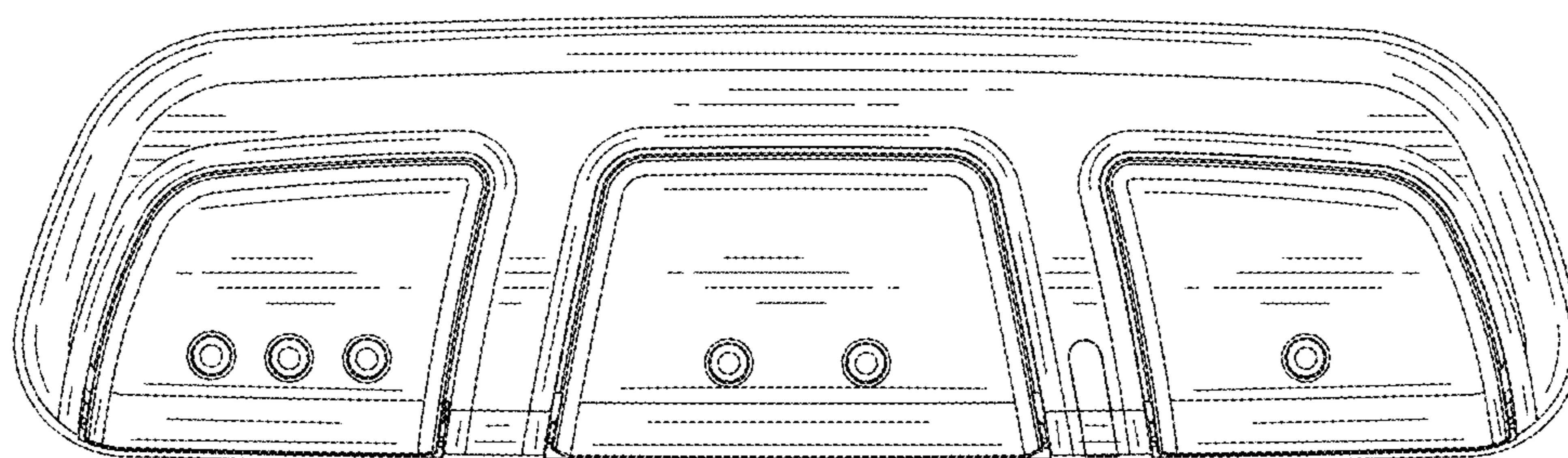


FIG. 6

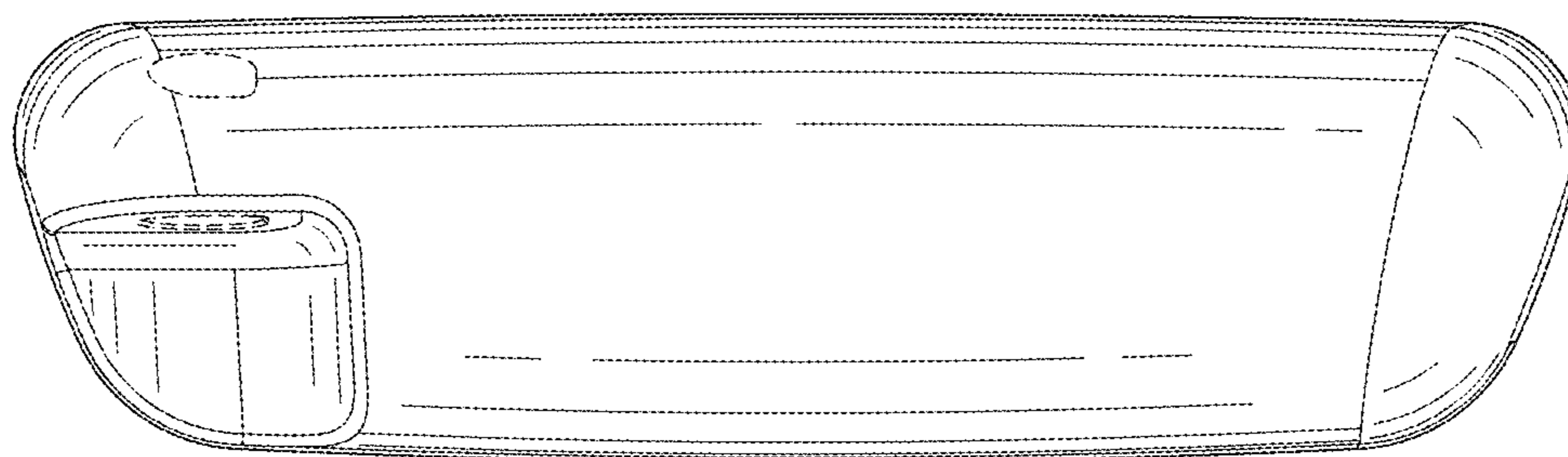


FIG. 7

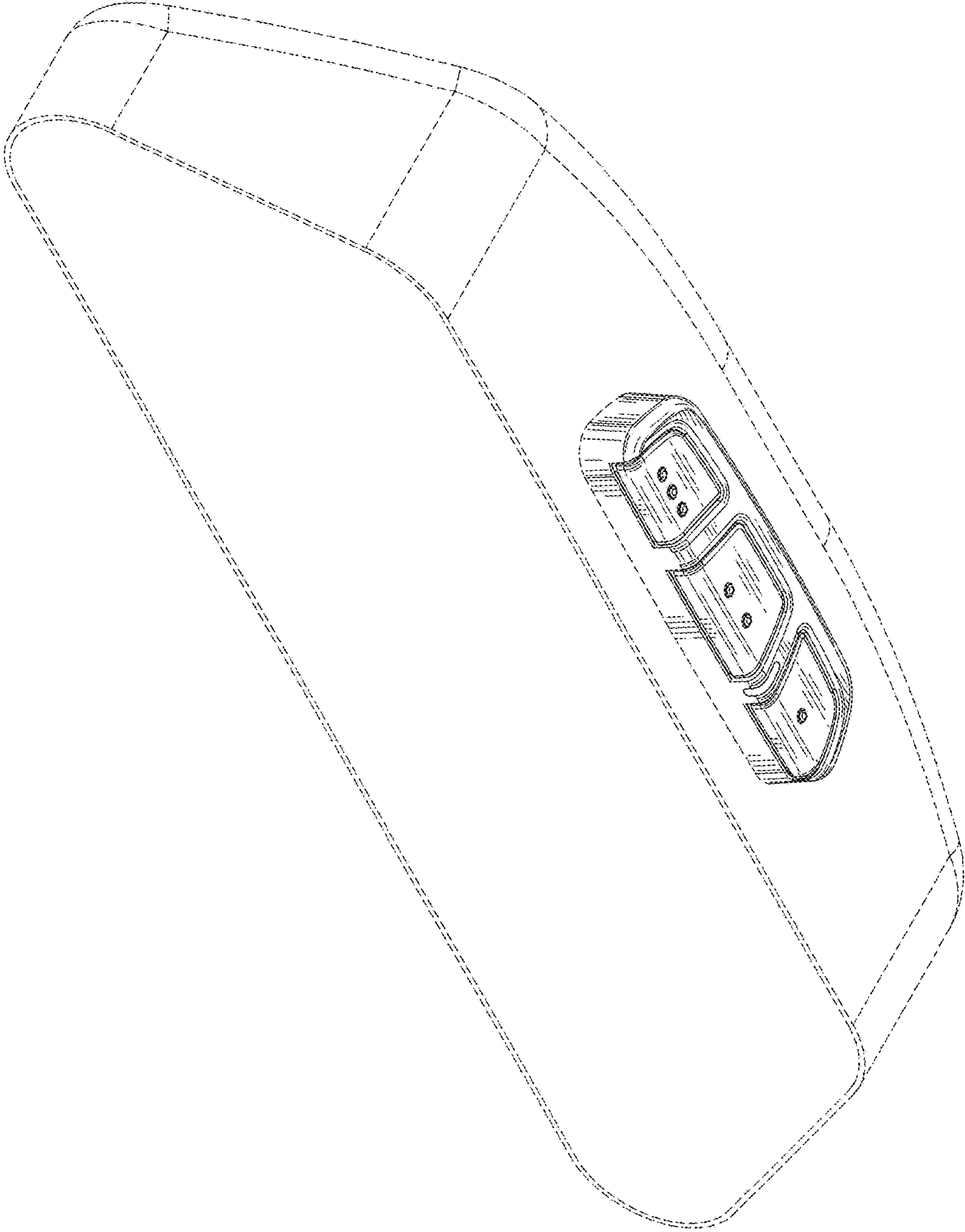


FIG. 8

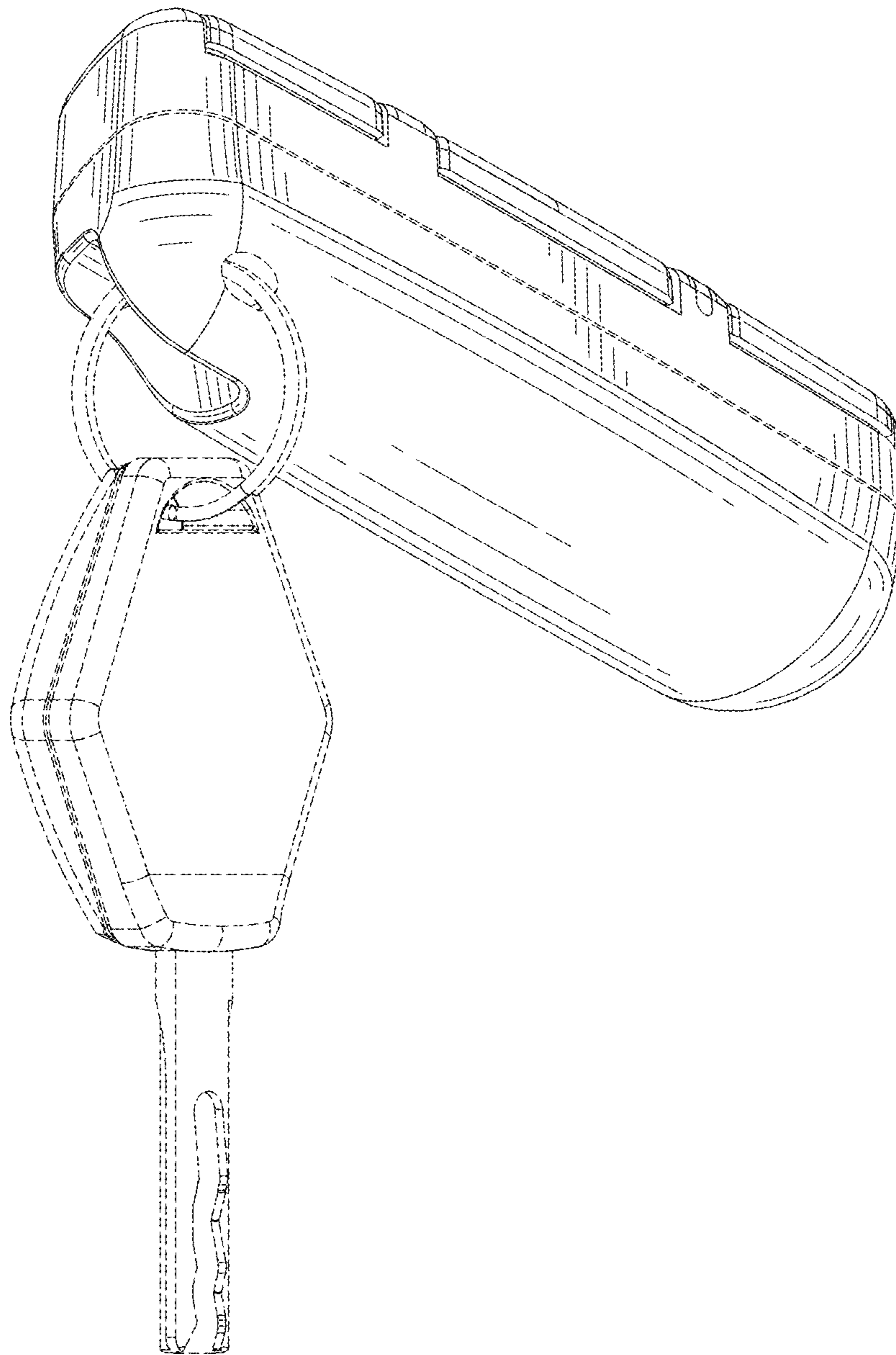


FIG. 9