



US00D813824S

(12) **United States Design Patent**
Deyaf et al.

(10) **Patent No.:** **US D813,824 S**
(45) **Date of Patent:** **** Mar. 27, 2018**

(54) **SWITCH BOX**
(71) Applicant: **SpeedTech Lights, Inc.**, Buda, TX (US)
(72) Inventors: **Malik Deyaf**, Buda, TX (US); **Mostafa Abdallah**, Buda, TX (US)
(73) Assignee: **SpeedTech Lights, Inc.**, Buda, TX (US)

D265,476 S * 7/1982 Zizza D12/192
D341,128 S * 11/1993 Rozier D13/164
5,702,078 A * 12/1997 Shaw B60K 37/06
248/118
D442,562 S * 5/2001 Yeh D13/162
D750,574 S * 3/2016 Deyaf D13/164
2012/0184119 A1* 7/2012 Huang H01R 13/70
439/152

* cited by examiner

Primary Examiner — Selina Sikder

(**) Term: **15 Years**

(21) Appl. No.: **29/594,073**

(22) Filed: **Feb. 15, 2017**

(51) **LOC (11) Cl.** **13-03**

(52) **U.S. Cl.**
USPC **D13/164**

(58) **Field of Classification Search**
USPC D13/158, 162, 164; D14/257, 258
CPC . H04B 1/08; H04B 1/086; H05K 5/00; H05K 5/0017; H05K 5/04; H01H 3/02; H01H 3/12; H01H 9/02; H01H 9/0214; H01H 9/0264; H01H 23/00; H01H 23/02; H01H 23/04; H01H 23/08; H02B 1/26; H02B 1/30

See application file for complete search history.

(56) **References Cited**

U.S. PATENT DOCUMENTS

D215,674 S * 10/1969 Arseneault D13/164
D255,563 S * 6/1980 Brooksby D10/46

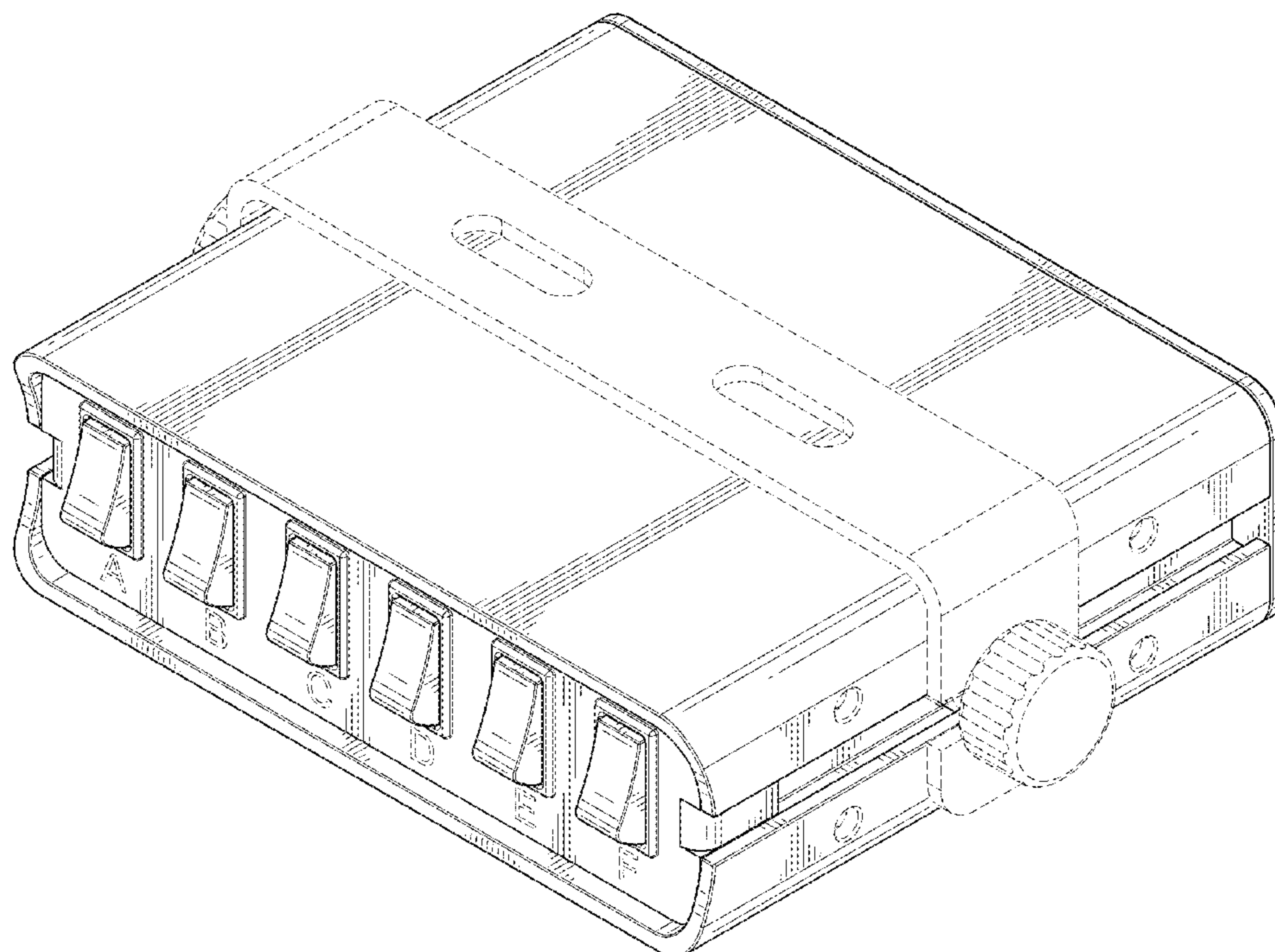
(57) **CLAIM**

The ornamental design for a switch box, as shown and described.

DESCRIPTION

FIG. 1 is a perspective view of a switch box showing our new design;
FIG. 2 is a front view thereof;
FIG. 3 is a back view thereof;
FIG. 4 is a top plan view thereof;
FIG. 5 is a bottom plan view thereof;
FIG. 6 is a left side view thereof; and,
FIG. 7 is a right side view thereof.
The broken lines included illustrate portions of switch box that form no part of the claimed design.

1 Claim, 5 Drawing Sheets



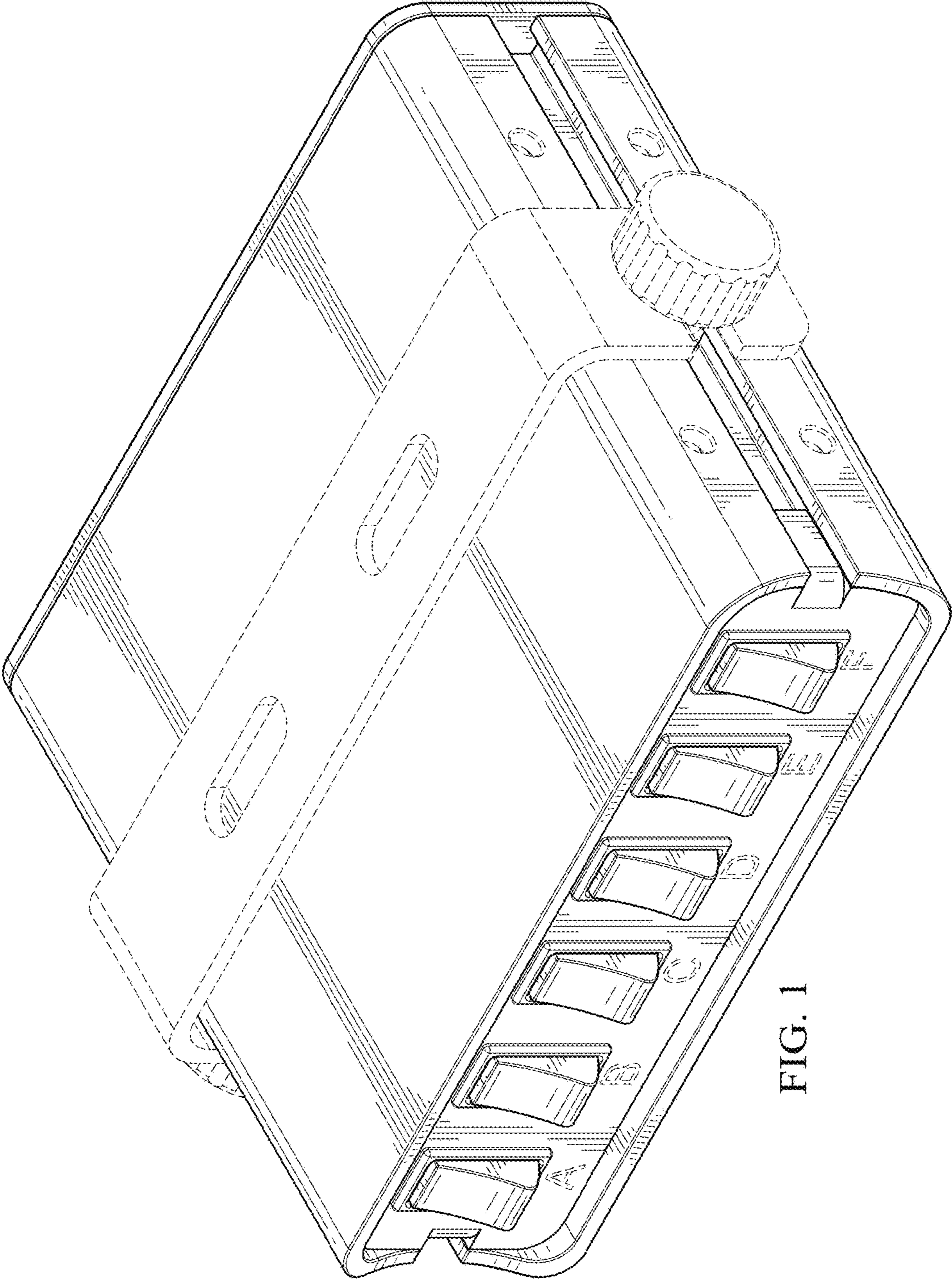


FIG. 1

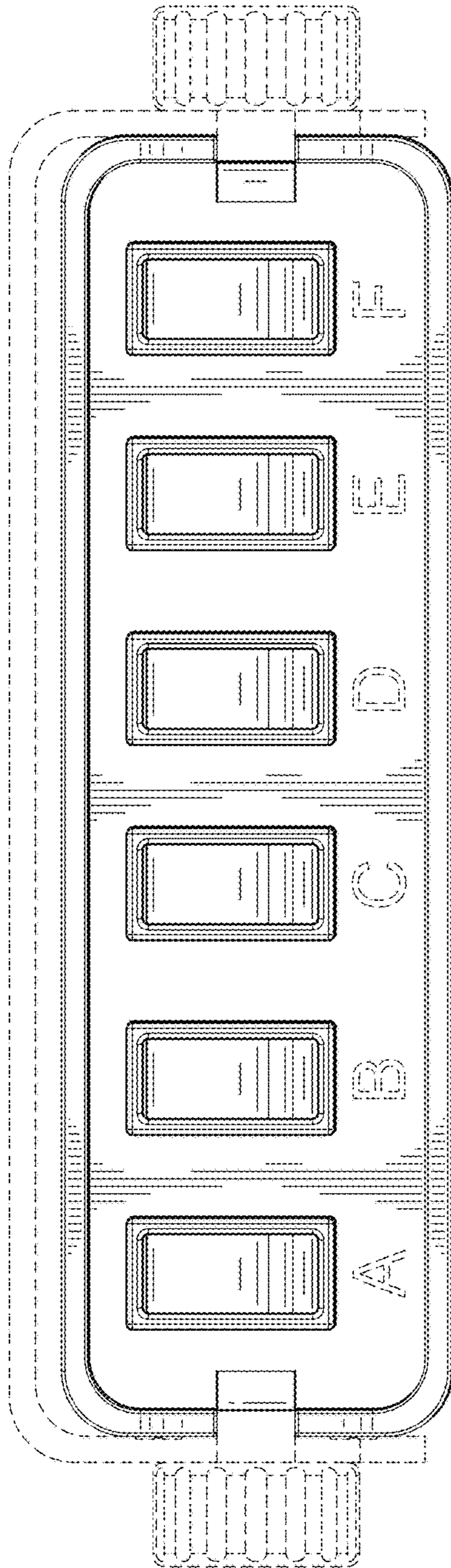


FIG. 2

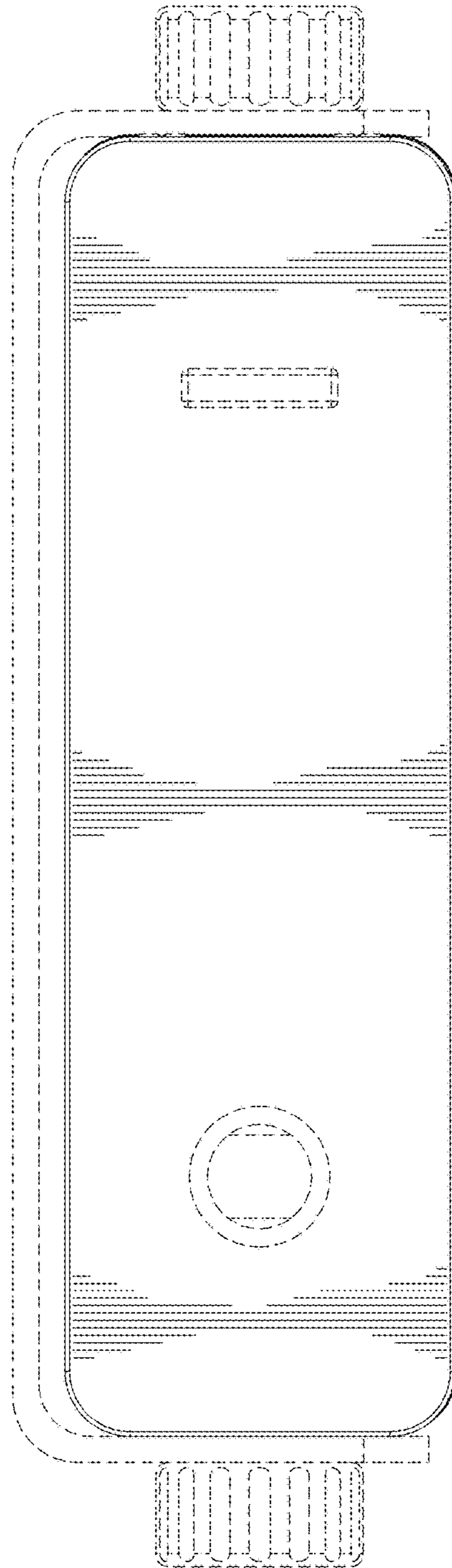


FIG. 3

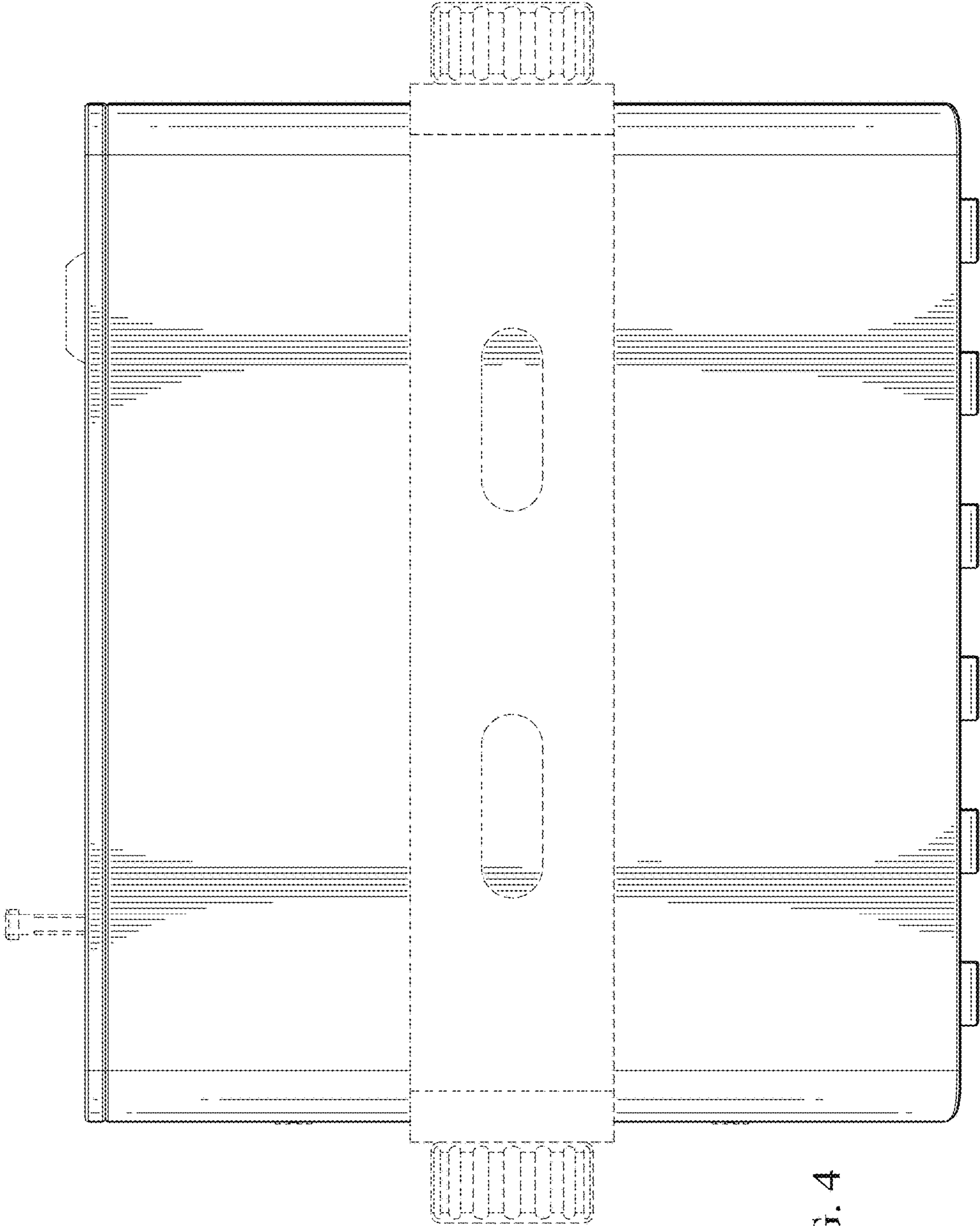


FIG. 4

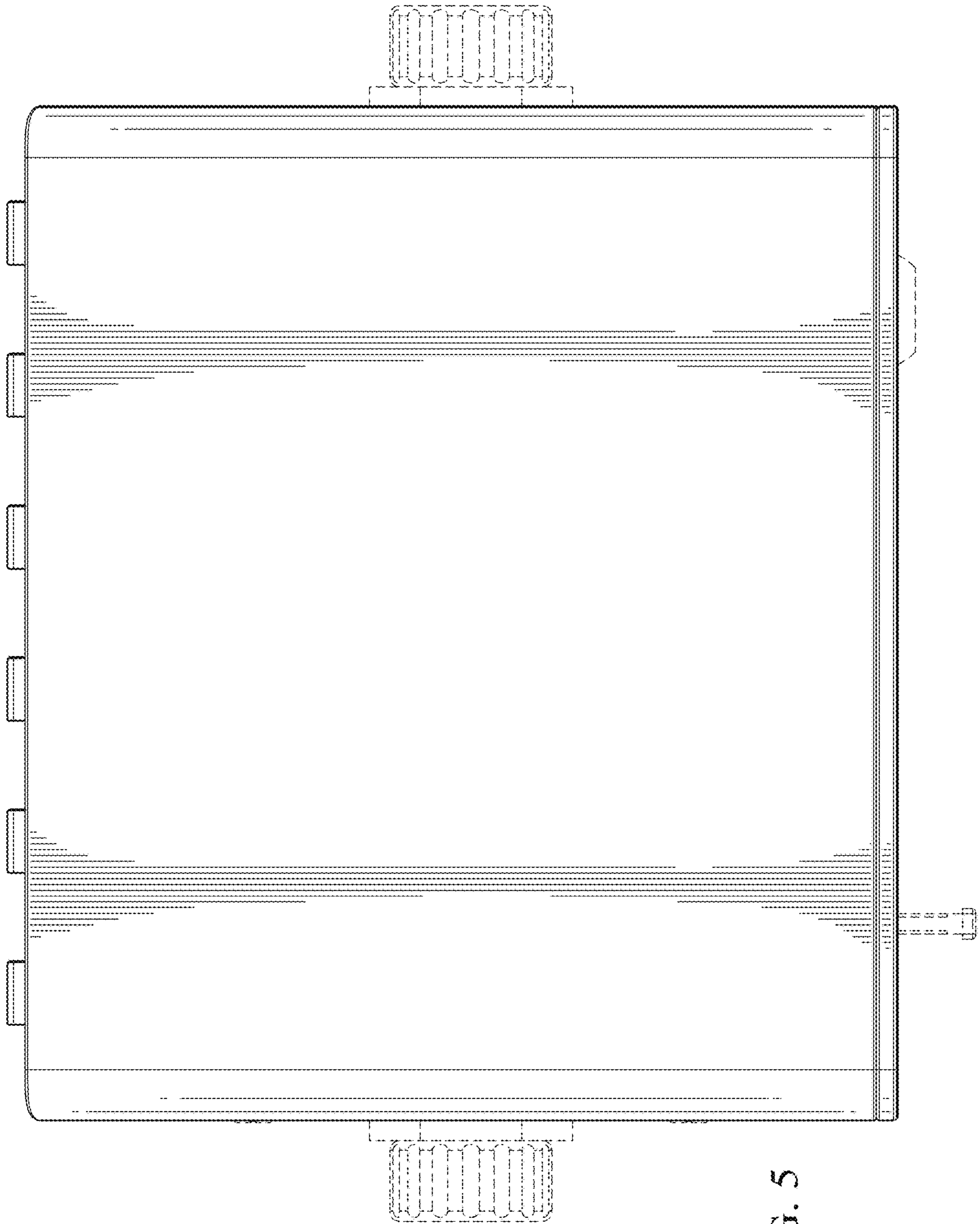


FIG. 5

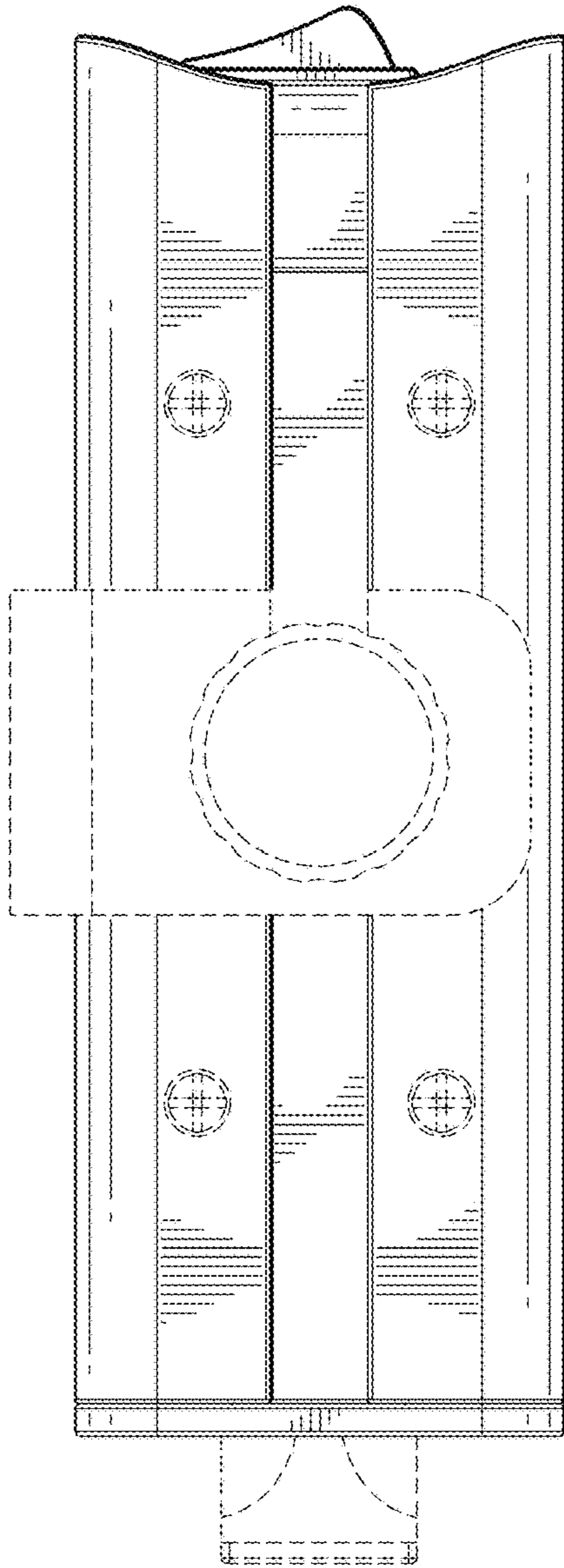


FIG. 6

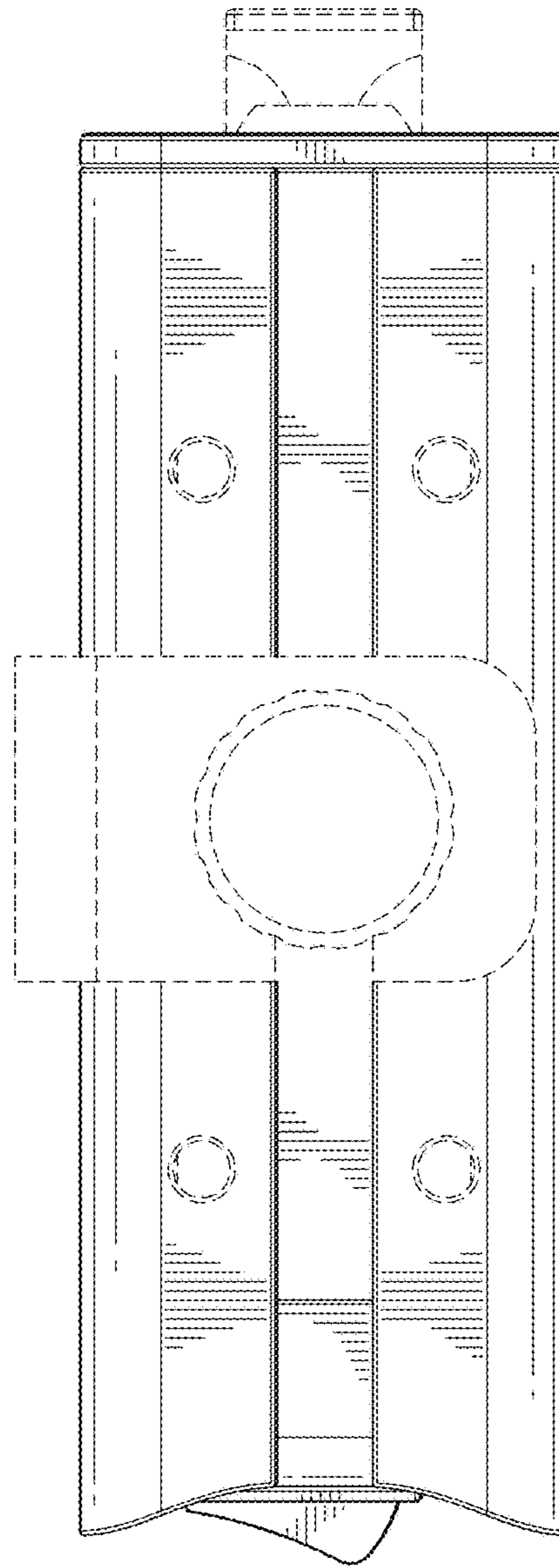


FIG. 7