



US00D813821S

(12) **United States Design Patent**
Corona

(10) **Patent No.:** **US D813,821 S**
(45) **Date of Patent:** **** Mar. 27, 2018**

(54) **MALE ELECTRICAL CONNECTOR**

(71) Applicant: **DSM&T Company, Inc.**, Fontana, CA (US)

(72) Inventor: **Sergio Corona**, Upland, CA (US)

(73) Assignee: **DSM&T Company, Inc.**, Fontana, CA (US)

(**) Term: **15 Years**

(21) Appl. No.: **29/579,269**

(22) Filed: **Sep. 29, 2016**

(51) **LOC (11) Cl.** **13-03**

(52) **U.S. Cl.**
USPC **D13/147**

(58) **Field of Classification Search**
USPC D13/133, 146, 147, 154, 182, 184, 199
CPC H01R 4/183; H01R 4/2404; H01R 13/405;
H01R 13/5202; H01R 13/5205; H01R
13/5216; H01R 13/5219; H01R 13/6273;
H01R 13/74
See application file for complete search history.

D370,204 S * 5/1996 Kittridge D13/146
D393,831 S 4/1998 Siemon et al.
D416,230 S 11/1999 Narumo et al.
D425,028 S 5/2000 Lee
D434,377 S 11/2000 Bussett et al.
D437,828 S 2/2001 Corona
D439,221 S 3/2001 Corona
D444,128 S 6/2001 Tan et al.
D445,763 S 7/2001 Corona
D446,186 S 8/2001 Corona
6,379,169 B1 4/2002 Corona
6,383,003 B1 5/2002 Corona
D472,523 S 4/2003 Hansen
D473,844 S 4/2003 Bender et al.
D502,919 S 3/2005 Studnicky
D503,150 S 3/2005 Yamawaki et al.
D514,070 S 1/2006 Bachmann
D516,028 S 2/2006 Deng
D521,933 S 5/2006 Wade et al.

(Continued)

Primary Examiner — Daniel D Bui

(74) *Attorney, Agent, or Firm* — Keusey & Associates, P.C.

(57) **CLAIM**

The ornamental design for a male electrical connector, as shown and described.

(56) **References Cited**

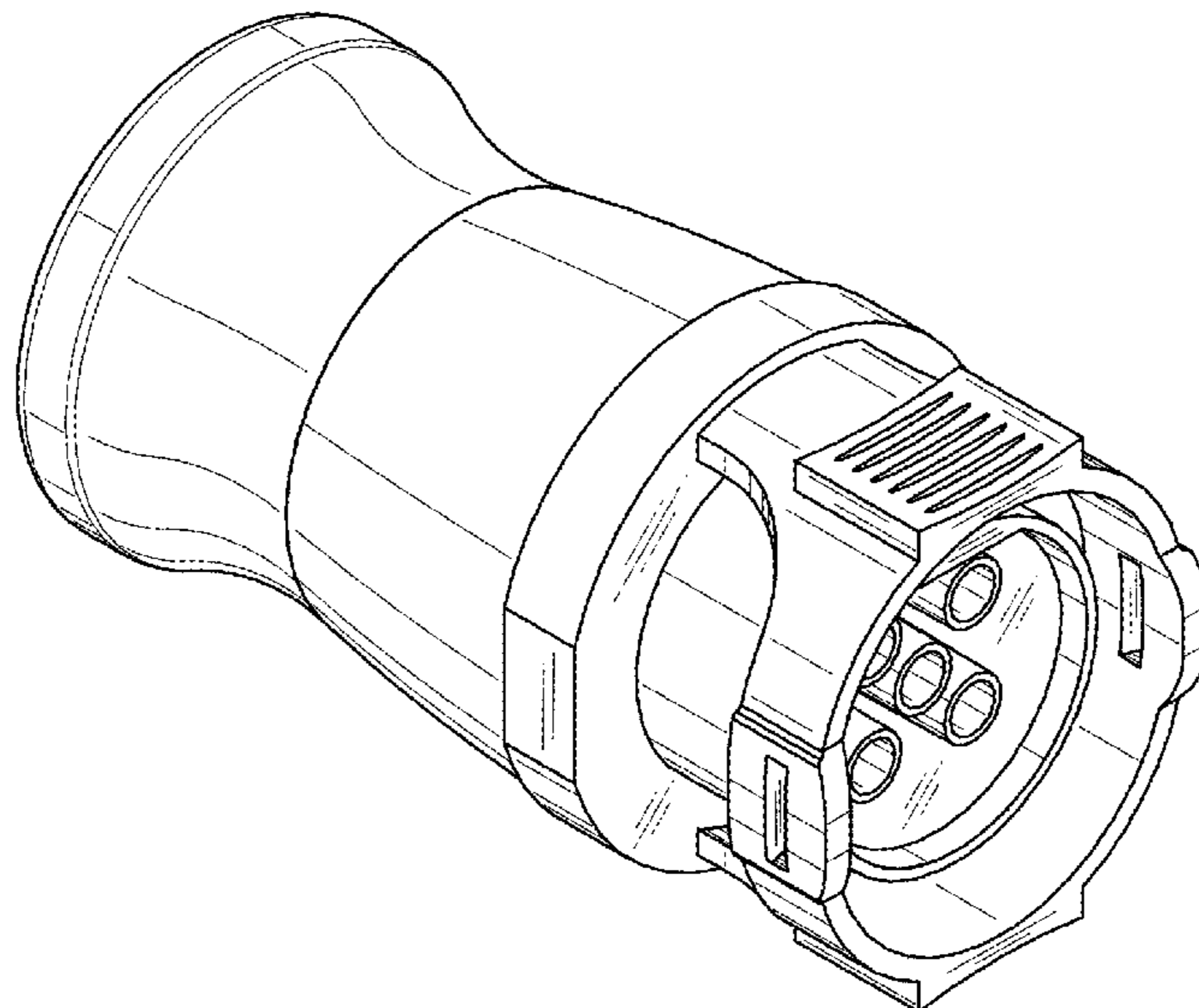
U.S. PATENT DOCUMENTS

D86,515 S 3/1932 Cox
D188,419 S 7/1960 Danesi
4,606,596 A 8/1986 Whiting et al.
D286,397 S 10/1986 Challans
4,704,091 A 11/1987 Owens et al.
5,201,669 A 4/1993 Lin
5,285,163 A 2/1994 Liotta
D356,296 S * 3/1995 Chapman D13/146
5,401,181 A 3/1995 Wilson
D360,187 S 7/1995 Starec et al.
D360,871 S 8/1995 Wilson
D360,872 S 8/1995 Wilson
5,460,545 A 10/1995 Siemon et al.

DESCRIPTION

FIG. 1 is a top, front, left side perspective view of my new design for a male electrical connector.
FIG. 2 is a front side elevational view thereof.
FIG. 3 is a top plan view thereof, the bottom plan view being identical thereto.
FIG. 4 is a right side elevational view thereof, the left side elevational view being identical thereto; and,
FIG. 5 is a rear side elevational view thereof.
The broken lines in FIG. 5 are included to show environmental structure and form no part of the claimed design.

1 Claim, 3 Drawing Sheets



(56)

References Cited

U.S. PATENT DOCUMENTS

D524,736 S	7/2006	Morita et al.	D678,200 S	3/2013	Corona
D524,737 S	7/2006	Lai et al.	D678,201 S	3/2013	Corona
D535,618 S	1/2007	Hu et al.	D678,202 S	3/2013	Corona
D555,594 S	11/2007	So	D678,203 S	3/2013	Corona
D560,610 S	1/2008	McCoy	D678,204 S	3/2013	Corona
D571,727 S	6/2008	Yang et al.	D679,662 S	4/2013	Svelnis et al.
7,390,210 B2	6/2008	Corona	D682,209 S	5/2013	Henrick et al.
D573,536 S	7/2008	Hariharsan et al.	D682,793 S	5/2013	Igelmund
D577,671 S	9/2008	Schnitzler	D694,189 S	11/2013	Ledinger et al.
D586,750 S	2/2009	Li	D697,030 S	1/2014	Ledinger et al.
D596,125 S	7/2009	Norin et al.	D698,730 S	2/2014	Hori et al.
D601,092 S *	9/2009	Rupp D13/147	D704,645 S	5/2014	Nomura et al.
D604,697 S	11/2009	Sogo et al.	D705,738 S *	5/2014	Schmidt D13/146
D606,944 S	12/2009	Mehnert et al.	D708,142 S	7/2014	Luther et al.
D613,246 S	4/2010	Muecke et al.	D716,732 S	11/2014	Neumann
D615,042 S	5/2010	Morgan et al.	D722,025 S *	2/2015	Smith D13/147
D615,496 S *	5/2010	Mennekes D13/133	D722,971 S *	2/2015	Smith D13/147
7,722,397 B2	5/2010	Schleith	D729,169 S	5/2015	Corona
D616,821 S	6/2010	The	D735,671 S	8/2015	Kuhnert
7,785,123 B2	8/2010	Corona	D748,058 S	1/2016	Corona
RE42,230 E	3/2011	Norin et al.	D753,065 S	4/2016	Corona
D637,159 S	5/2011	Hu	D753,600 S	4/2016	Svelnis
D639,243 S	6/2011	Gharib et al.	D762,178 S	7/2016	Liu et al.
D639,250 S	6/2011	Svelnis et al.	D766,183 S	9/2016	Corona
D639,743 S	6/2011	Smith et al.	D766,184 S	9/2016	Corona
D643,815 S	8/2011	Mark et al.	D770,386 S	11/2016	Corona
D651,171 S	12/2011	Yamauchi et al.	D770,981 S	11/2016	Corona
D651,172 S	12/2011	Yamauchi et al.	D774,465 S	12/2016	Corona
D670,650 S	11/2012	Ebihara	D774,466 S	12/2016	Corona
D677,629 S	3/2013	Corona	2003/0139094 A1	7/2003	Venditti et al.
			2004/0147170 A1	7/2004	Greenwood et al.
			2011/0003512 A1	1/2011	Bower et al.
			2015/0126075 A1	5/2015	Chen et al.

* cited by examiner

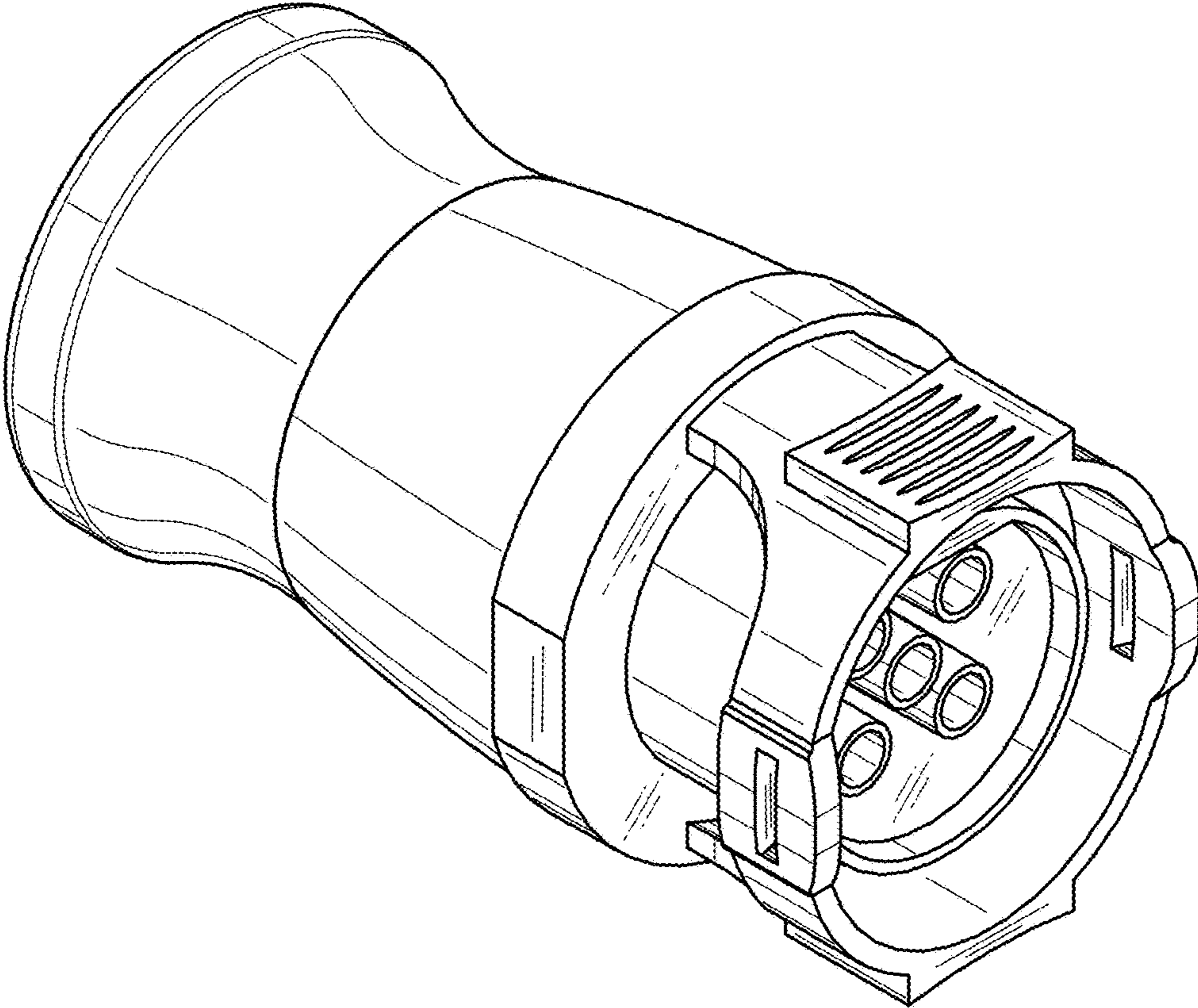


FIG. 1

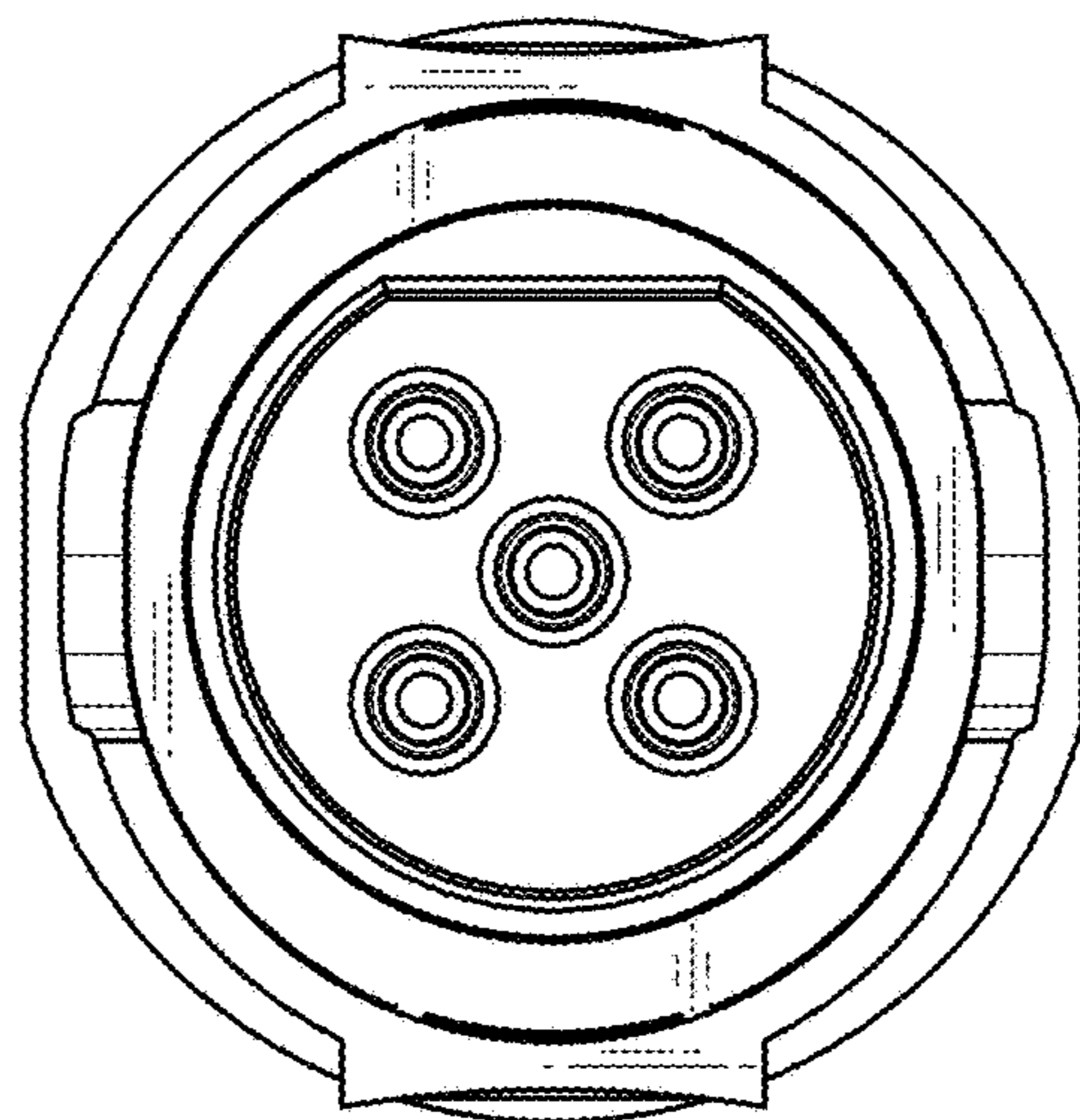


FIG. 2

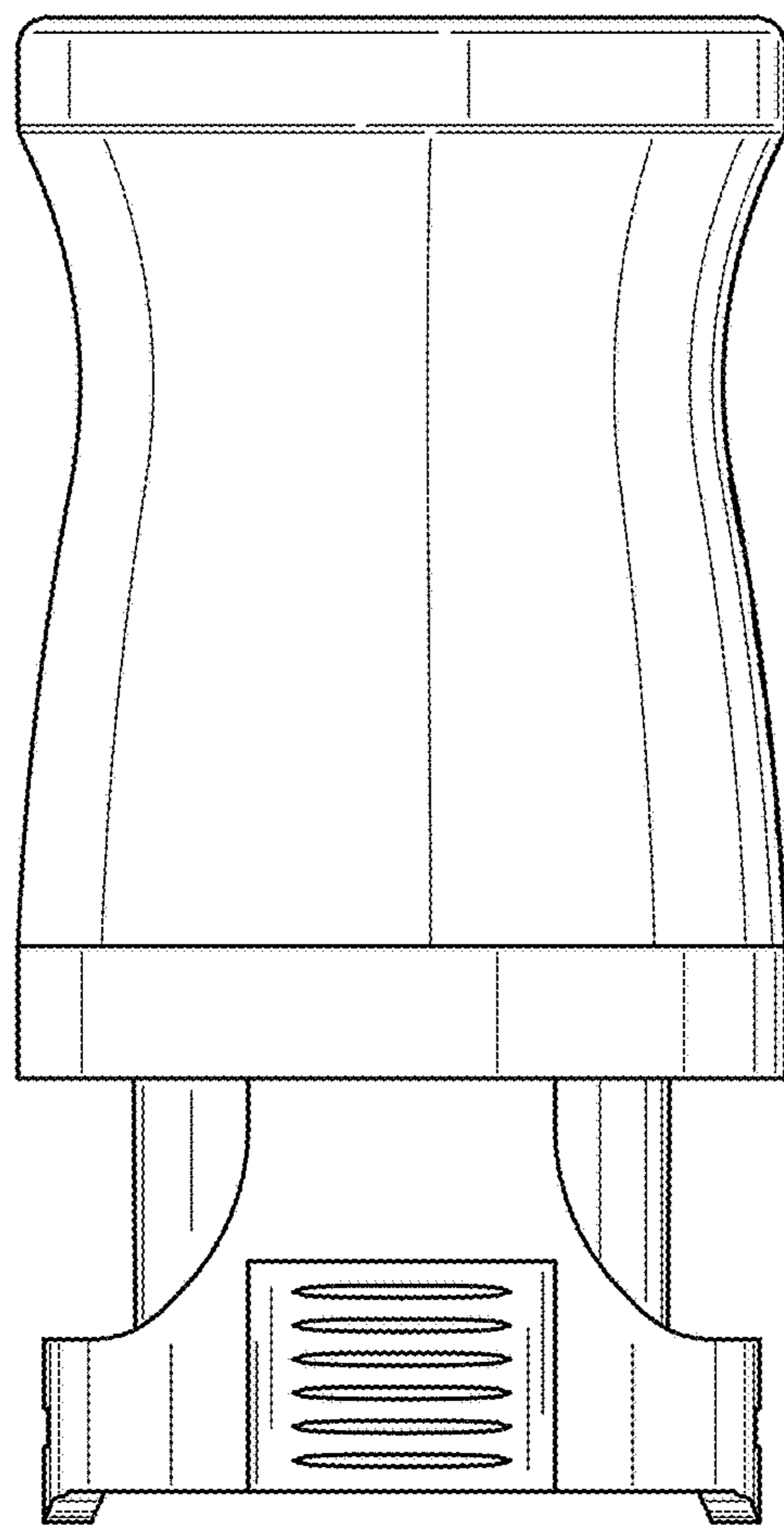


FIG. 3

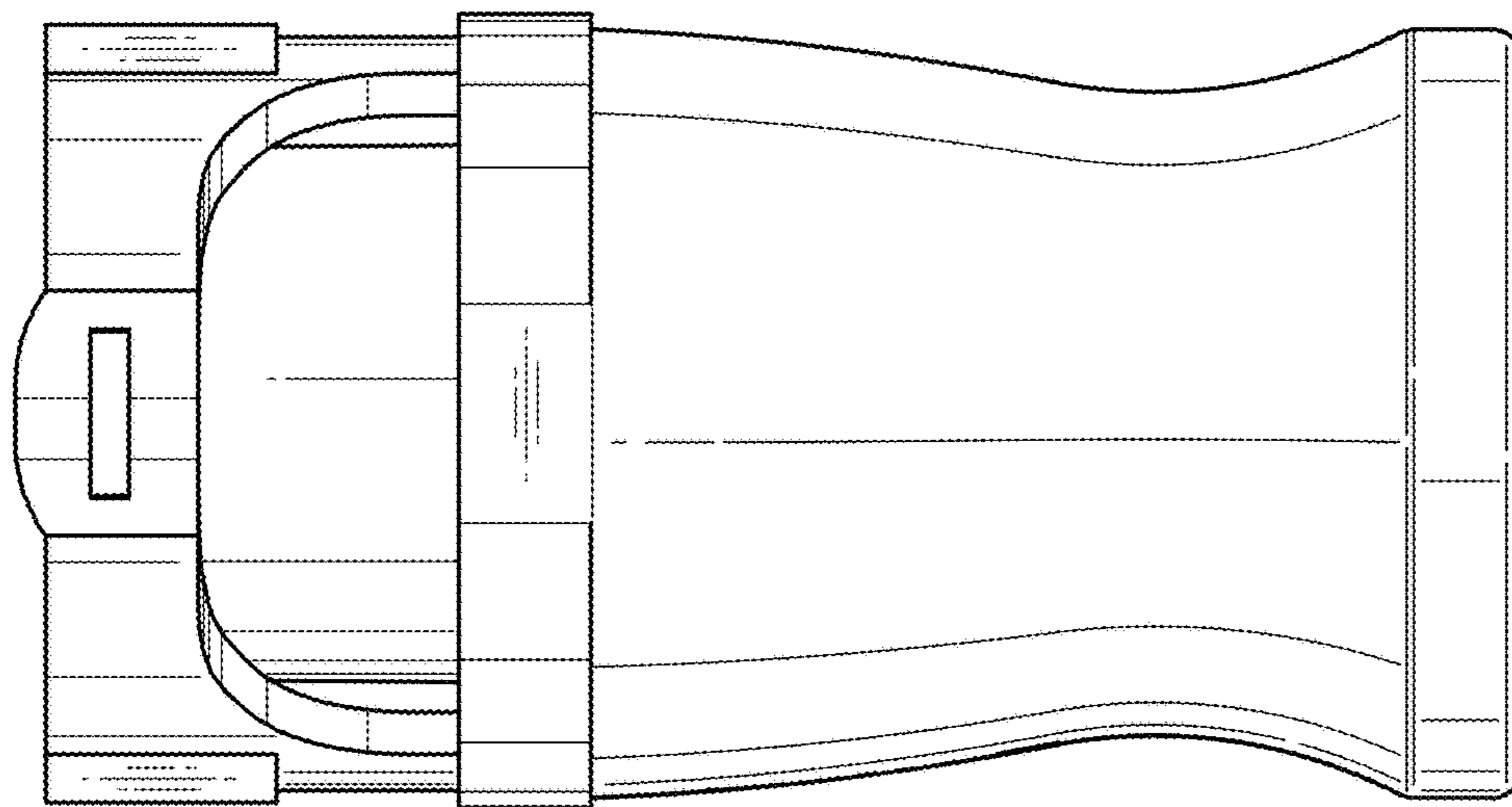


FIG. 4

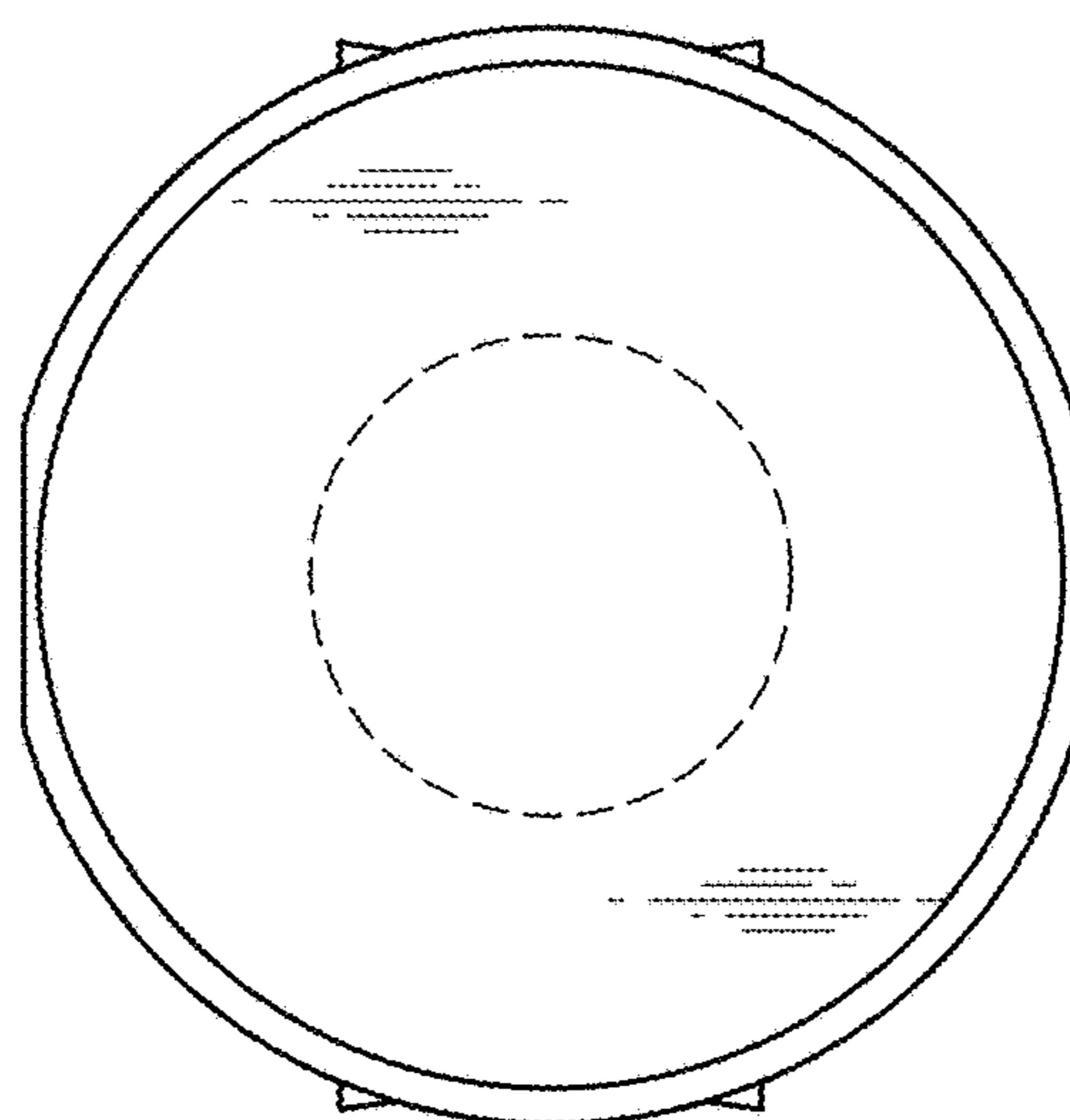


FIG. 5