



US00D813820S

(12) **United States Design Patent** (10) **Patent No.:** **US D813,820 S**  
**Akana et al.** (45) **Date of Patent:** **\*\* Mar. 27, 2018**

(54) **CONNECTOR**

(71) Applicant: **Apple Inc.**, Cupertino, CA (US)

(72) Inventors: **Jody Akana**, San Francisco, CA (US); **Bartley K. Andre**, Palo Alto, CA (US); **Jeremy Bataillou**, San Francisco, CA (US); **Daniel J. Coster**, San Francisco, CA (US); **Daniele De Iuliis**, San Francisco, CA (US); **M. Evans Hankey**, San Francisco, CA (US); **Julian Hoenig**, San Francisco, CA (US); **Richard P. Howarth**, San Francisco, CA (US); **Jonathan P. Ive**, San Francisco, CA (US); **Duncan Robert Kerr**, San Francisco, CA (US); **Shin Nishibori**, Kailua, HI (US); **Matthew Dean Rohrbach**, San Francisco, CA (US); **Peter Russell-Clarke**, San Francisco, CA (US); **Christopher J. Stringer**, Woodside, CA (US); **Eugene Antony Whang**, San Francisco, CA (US); **Rico Zörkendörfer**, San Francisco, CA (US)

(73) Assignee: **Apple Inc.**, Cupertino, CA (US)

(\*\*) Term: **15 Years**

(21) Appl. No.: **29/563,898**

(22) Filed: **May 9, 2016**

**Related U.S. Application Data**

(63) Continuation of application No. 29/502,958, filed on Sep. 22, 2014, now Pat. No. Des. 755,724, which is (Continued)

(51) **LOC (11) Cl.** ..... **13-03**

(52) **U.S. Cl.**  
USPC ..... **D13/147**

(58) **Field of Classification Search**  
USPC ..... D13/133, 146, 147, 154, 184, 199  
(Continued)

(56) **References Cited**

U.S. PATENT DOCUMENTS

D304,028 S 10/1989 Matsuzaki  
D369,157 S 4/1996 Ohmori et al.  
(Continued)

FOREIGN PATENT DOCUMENTS

AU 346798 2/2013  
CL 3451-12 7/2013  
(Continued)

OTHER PUBLICATIONS

U.S. Appl. No. 29/432,034, filed Sep. 12, 2012; Akana et al.

*Primary Examiner* — Daniel Bui  
(74) *Attorney, Agent, or Firm* — Sterne, Kessler, Goldstein & Fox P.L.L.C.

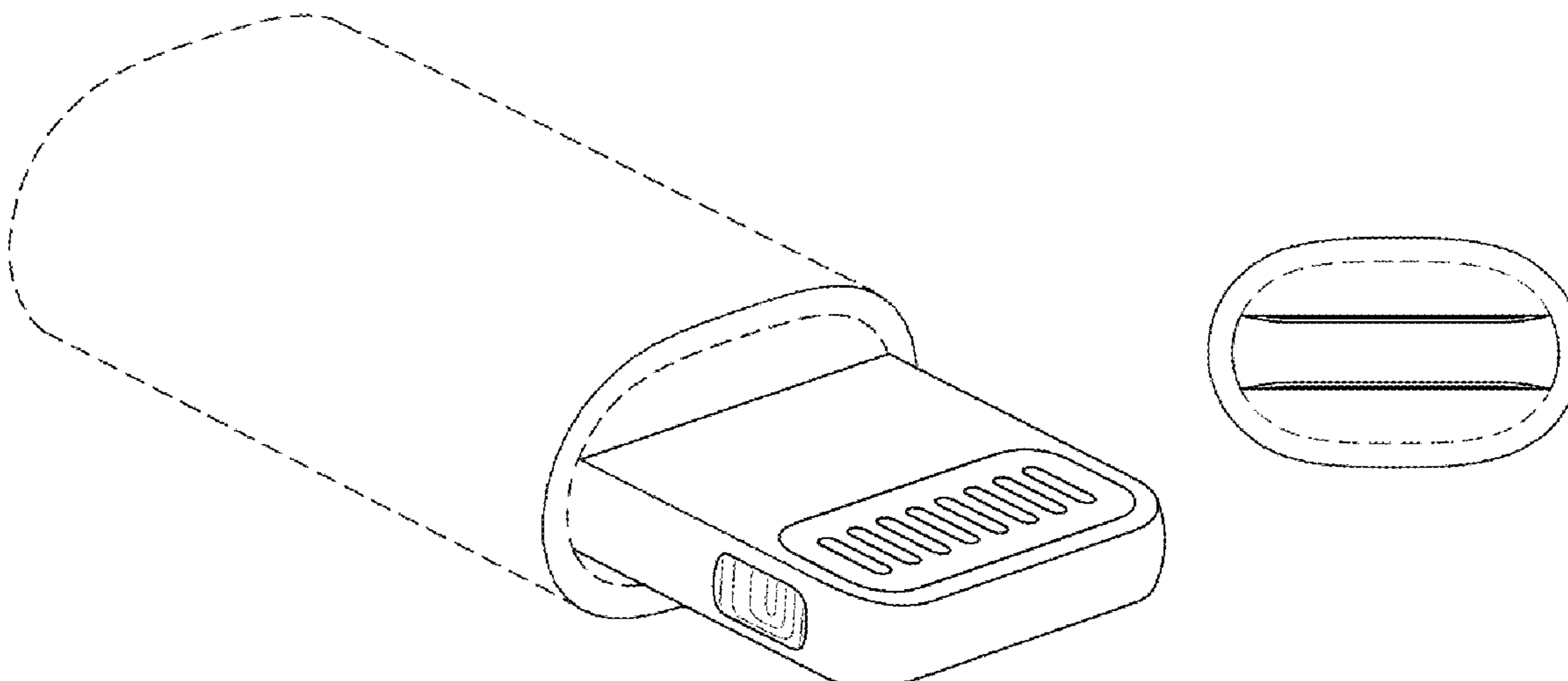
(57) **CLAIM**

The ornamental design for a connector, as shown and described.

**DESCRIPTION**

FIG. 1 is a top front perspective view of a connector showing the claimed design;  
FIG. 2 is a bottom rear perspective view thereof;  
FIG. 3 is a top view thereof;  
FIG. 4 is a bottom view thereof;  
FIG. 5 is a side view thereof;  
FIG. 6 is another side view thereof;  
FIG. 7 is front view thereof; and,  
FIG. 8 is a rear view thereof.  
The broken lines in the figures show portions of the connector that form no part of the claimed design.  
The shade lines in the figures show contour and not surface ornamentation.

**1 Claim, 7 Drawing Sheets**



**Related U.S. Application Data**

a continuation of application No. 29/485,445, filed on Mar. 19, 2014, now Pat. No. Des. 713,796, which is a continuation of application No. 29/455,174, filed on May 17, 2013, now Pat. No. Des. 705,176, which is a continuation of application No. 29/426,587, filed on Jul. 6, 2012, now Pat. No. Des. 684,539.

(58) **Field of Classification Search**

CPC .... H01R 24/60; H01R 24/70; H01R 13/5205; H01R 13/5219; H01R 13/642; H01R 13/6471; H01R 13/6581; H01R 13/6582; H01R 13/6285; H01R 13/6591; H01R 13/6596; H01R 13/656

See application file for complete search history.

(56)

**References Cited**

U.S. PATENT DOCUMENTS

D399,047	S	10/1998	Yoshida et al.	
6,137,710	A	10/2000	Iwasaki et al.	
D452,245	S	12/2001	Wallace et al.	
D452,246	S	12/2001	Wallace et al.	
6,483,038	B2	11/2002	Lee et al.	
D487,747	S	3/2004	Yu et al.	
D525,977	S	8/2006	Yao	
7,094,089	B2	8/2006	Andre et al.	
D543,156	S	5/2007	Suckle	
D552,099	S	10/2007	Nishizawa et al.	
D558,145	S	12/2007	Stavoe et al.	
D563,899	S	3/2008	Goetz et al.	
7,354,312	B2	4/2008	Chuang	
D586,293	S	2/2009	Fujino	
D588,545	S	3/2009	Andre et al.	
D594,418	S	6/2009	Fujino et al.	
D607,886	S	1/2010	Bolotin et al.	
D612,809	S	3/2010	Zhao et al.	
D621,785	S	8/2010	Nickol	
D636,337	S	4/2011	Smith et al.	
D637,193	S	5/2011	Andre et al.	
D643,040	S	8/2011	Sedio et al.	
D655,296	S	3/2012	Andre et al.	
D656,147	S	3/2012	Schlossstein	
D658,665	S	5/2012	Akana et al.	
D659,150	S	5/2012	Andre	
D659,754	S	5/2012	Rossiter et al.	
D665,754	S	8/2012	Cobbett et al.	
D683,703	S	6/2013	Akana et al.	
D684,538	S	6/2013	Akana et al.	
D684,539	S *	6/2013	Akana ..... D13/147	
D684,976	S	6/2013	Akana et al.	
8,454,388	B2	6/2013	Song	
8,561,879	B2	10/2013	Jol et al.	
D693,828	S	11/2013	Akana et al.	
D694,243	S	11/2013	Akana et al.	
8,637,165	B2	1/2014	Siahaan et al.	
D699,188	S	2/2014	Akana et al.	
8,683,090	B2	3/2014	Mullins et al.	
D703,145	S	4/2014	Akana et al.	
8,708,745	B2	4/2014	Golko et al.	
D705,174	S	5/2014	Wong	
D705,175	S	5/2014	Chu	
D705,176	S *	5/2014	Akana ..... D13/147	
8,721,356	B2	5/2014	Webb et al.	
D707,680	S	6/2014	Akana et al.	
D707,681	S	6/2014	Akana et al.	
8,747,155	B2	6/2014	Weber et al.	
8,762,605	B2	6/2014	Terlizzi et al.	
D709,032	S	7/2014	Akana et al.	
8,777,666	B2	7/2014	Golko et al.	
8,799,527	B2	8/2014	Mullins et al.	
8,804,355	B2	8/2014	Uttermann et al.	
D712,279	S	9/2014	Akana et al.	
D713,350	S	9/2014	Akana et al.	
D713,351	S	9/2014	Akana et al.	

D713,352	S	9/2014	Akana et al.	
D713,353	S	9/2014	Akana et al.	
D713,354	S	9/2014	Akana et al.	
D713,796	S *	9/2014	Akana ..... D13/147	
8,845,363	B2	9/2014	Ardisana, II et al.	
D716,234	S	10/2014	Tien	
D716,235	S	10/2014	Tien	
D716,351	S	10/2014	Kitamura et al.	
8,882,529	B2	11/2014	Weber et al.	
8,886,849	B2	11/2014	Golembeski et al.	
8,888,510	B2	11/2014	Webb	
8,891,216	B2	11/2014	Mullins et al.	
8,905,793	B2	12/2014	Golko et al.	
8,974,126	B2	3/2015	Sloey et al.	
8,986,029	B2	3/2015	Webb et al.	
9,011,161	B2	4/2015	Weber et al.	
9,011,179	B2	4/2015	Siahaan et al.	
9,021,159	B2	4/2015	Fritchman et al.	
D731,434	S	6/2015	Akana et al.	
D732,035	S	6/2015	Akana et al.	
9,059,531	B2	6/2015	Schmidt et al.	
9,065,212	B2	6/2015	Golko et al.	
9,092,233	B2	7/2015	Andrews et al.	
9,093,803	B2	7/2015	Sooahoo et al.	
9,099,856	B2	8/2015	Utterman et al.	
9,112,327	B2	8/2015	Sarwar et al.	
9,146,888	B2	9/2015	Terlizzi et al.	
D742,320	S	11/2015	Akana et al.	
D751,560	S	3/2016	Akana et al.	
D755,724	S *	5/2016	Akana ..... D13/147	
2002/0170972	A1	11/2002	Kim	
2003/0225954	A1	12/2003	Wu	
2005/0124219	A1	6/2005	Chen et al.	
2005/0202727	A1	9/2005	Andre et al.	
2010/0151734	A1	6/2010	Wu et al.	
2011/0199729	A1	8/2011	Hsieh	
2012/0252256	A1	10/2012	Zhu et al.	
2013/0084760	A1	4/2013	Siahaan et al.	
2013/0175326	A1	7/2013	Jol et al.	
2013/0210261	A1	8/2013	Terlizzi et al.	
2013/0238823	A1	9/2013	Terlizzi et al.	
2013/0244472	A1	9/2013	Weber et al.	
2013/0244489	A1	9/2013	Terlizzi et al.	
2013/0244491	A1	9/2013	Sarwar et al.	
2013/0244492	A1	9/2013	Golko et al.	
2013/0279055	A1	10/2013	Mullins et al.	
2013/0286522	A1	10/2013	Mullins et al.	
2013/0304942	A1	11/2013	Golembeski et al.	
2013/0305066	A1	11/2013	Mullins et al.	
2014/0013012	A1	1/2014	Terlizzi et al.	
2014/0057479	A1	2/2014	Weber et al.	
2014/0069709	A1	3/2014	Schmidt et al.	
2014/0069710	A1	3/2014	Webb et al.	
2014/0069714	A1	3/2014	Utterman et al.	
2014/0070774	A1	3/2014	Terlizzi et al.	
2014/0073170	A1	3/2014	Golko et al.	
2014/0073178	A1	3/2014	Webb et al.	
2014/0073182	A1	3/2014	Ardisana, II et al.	
2014/0073183	A1	3/2014	Golko et al.	
2014/0073185	A1	3/2014	Siahaan et al.	
2014/0073186	A1	3/2014	Webb	
2014/0073191	A1	3/2014	Colahan et al.	
2014/0073193	A1	3/2014	Sooahoo et al.	
2014/0073201	A1	3/2014	Weber et al.	
2014/0073206	A1	3/2014	Golko et al.	
2014/0075051	A1	3/2014	Zadesky et al.	
2014/0075061	A1	3/2014	Fritchman et al.	
2014/0075067	A1	3/2014	Mullins et al.	
2014/0075169	A1	3/2014	Andrews et al.	
2014/0075210	A1	3/2014	Rich et al.	
2015/0008031	A1	1/2015	Utterman et al.	

FOREIGN PATENT DOCUMENTS

CN	D131168	S	10/2009
CN	201130377608.3		5/2012
CN	201220688401.7		7/2012
CN	201320217628.8		10/2013
CN	102269849	B	9/2014

(56)

**References Cited**

FOREIGN PATENT DOCUMENTS

EM	000623848-0001	2/2007
EM	001222905-0018	10/2010
WO	WO 2006/074348	7/2006
WO	WO 2011/150403	12/2011
WO	WO 2011/160138	12/2011
WO	WO 2011/163256	12/2011
WO	WO 2011/163260	12/2011
WO	WO 2012/103383	8/2012
WO	WO 2013/081704	6/2013
WO	WO 2014/039110	3/2014
WO	WO 2014/040224	3/2014
WO	WO 2014/040231	3/2014
WO	WO 2014/042860	3/2014

\* cited by examiner

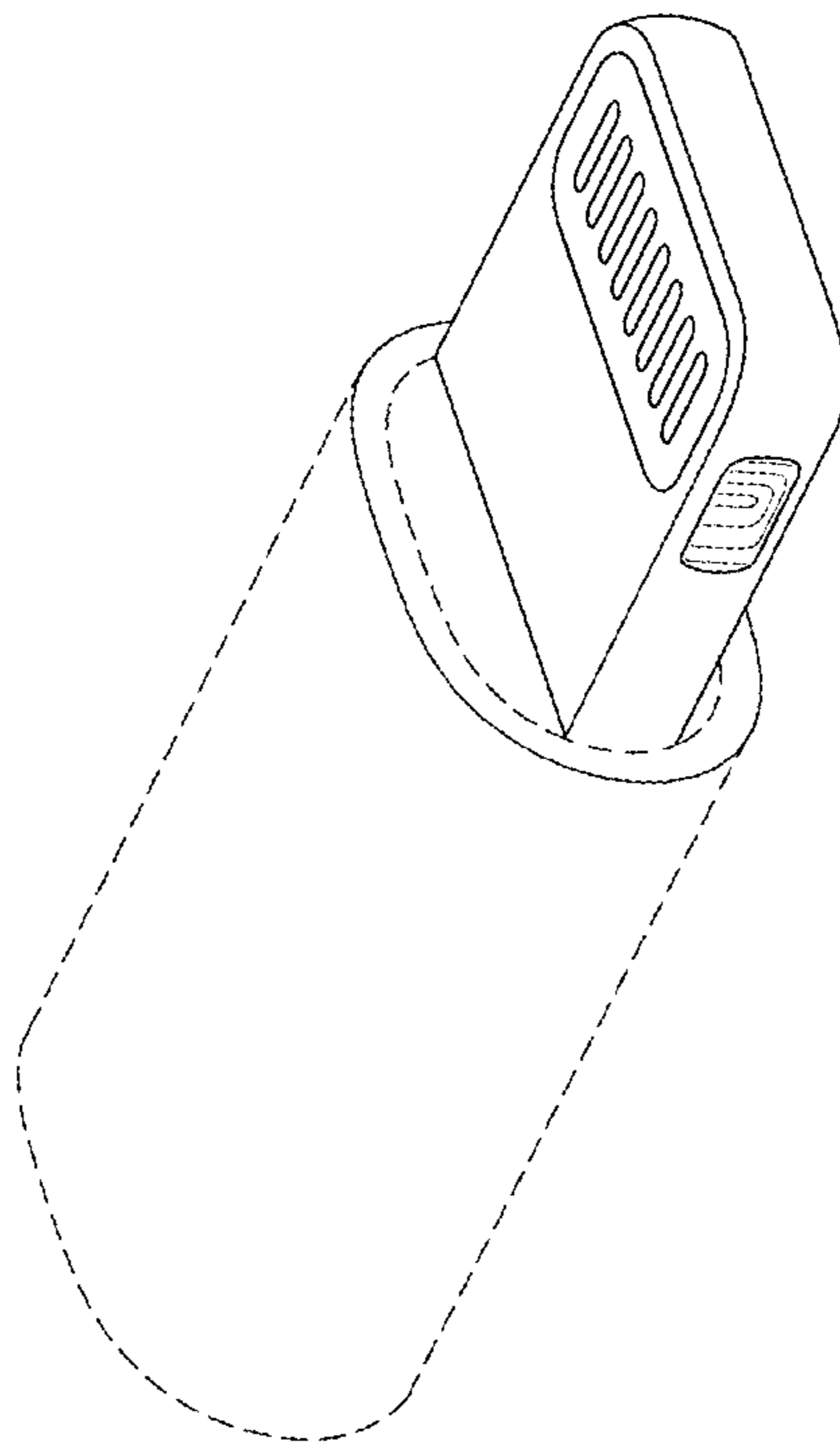


FIG. 1

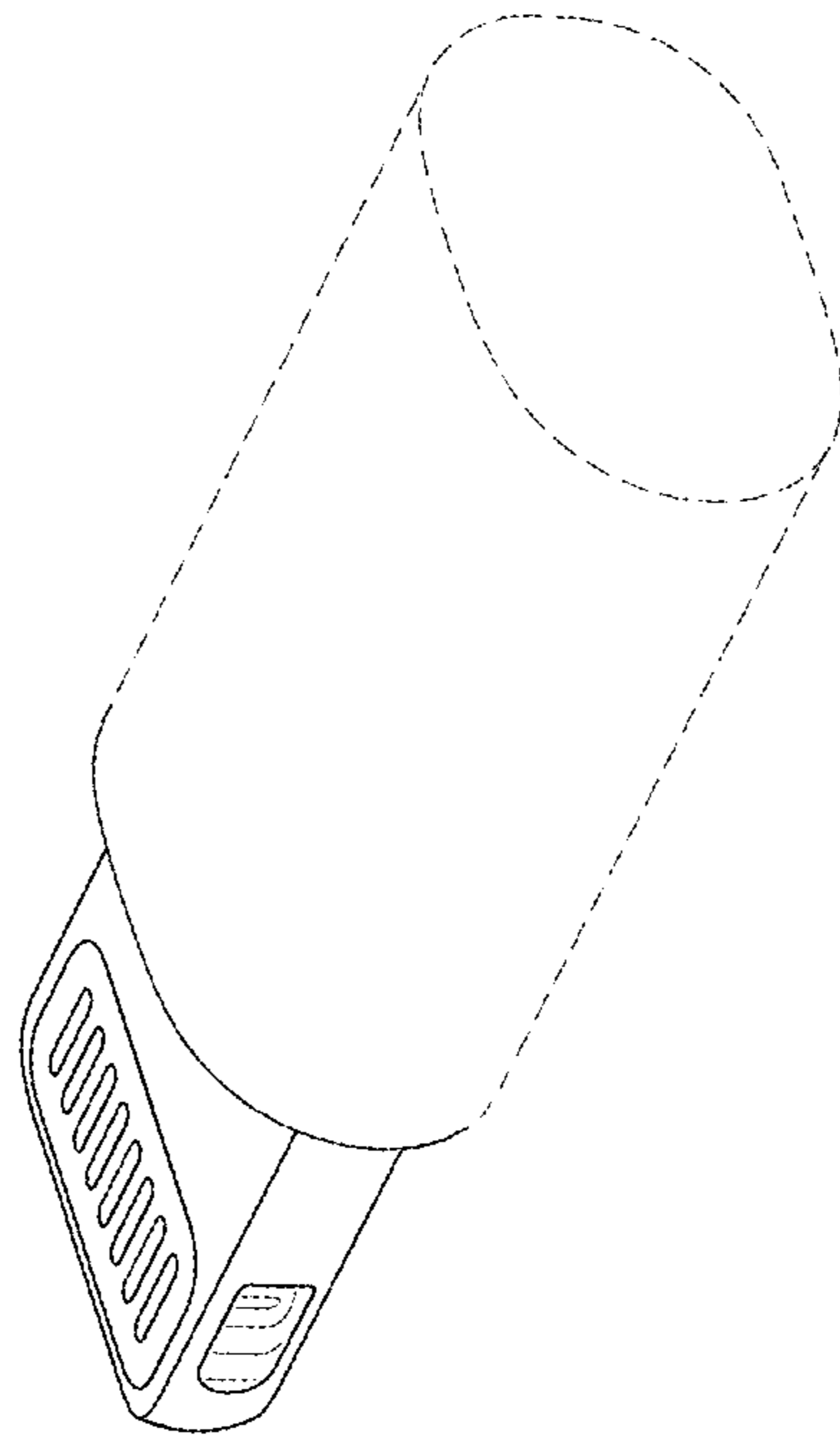
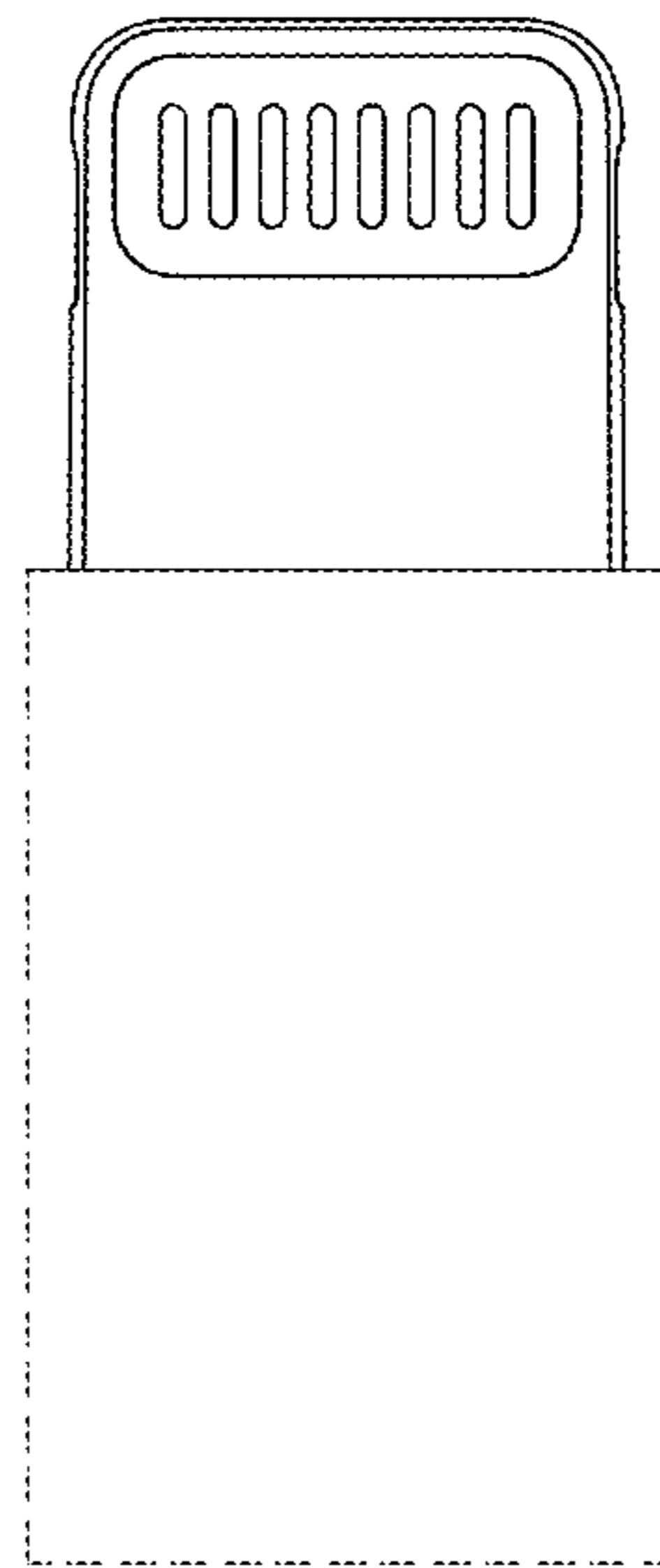
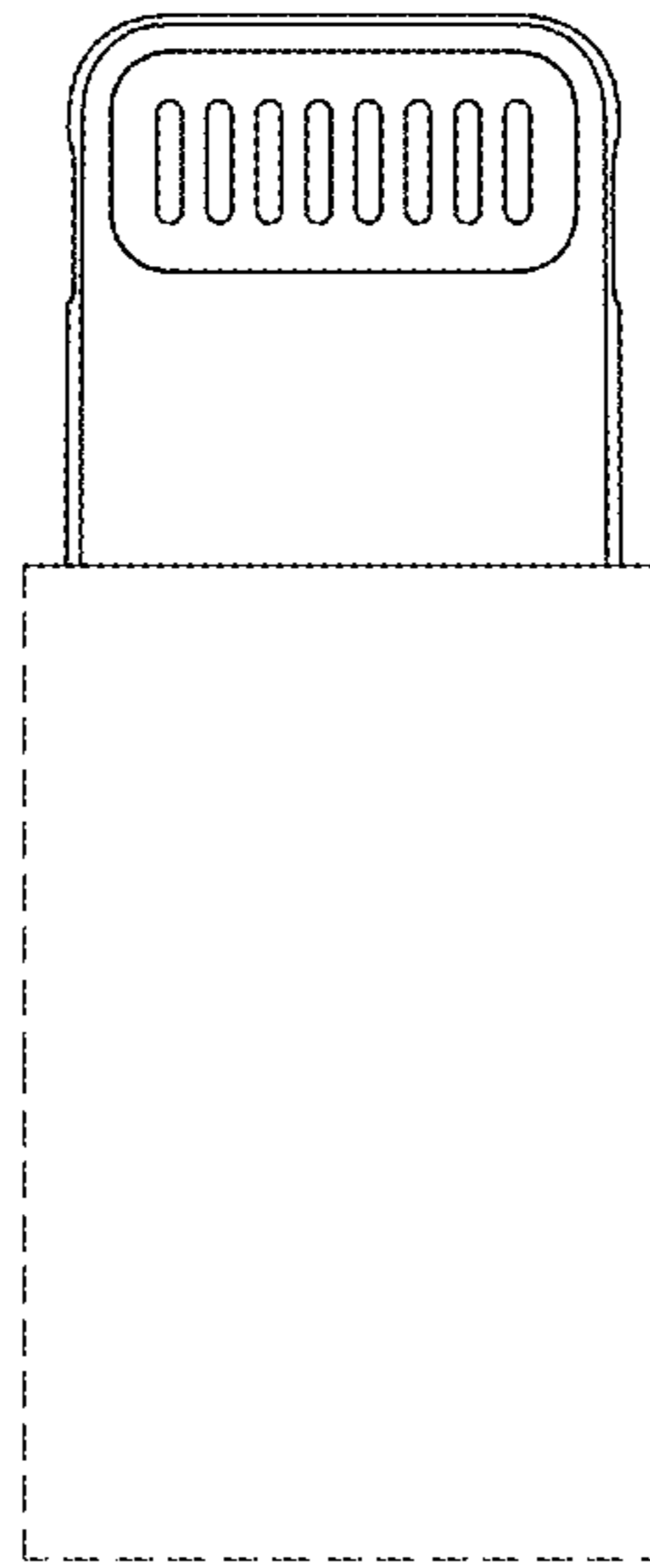


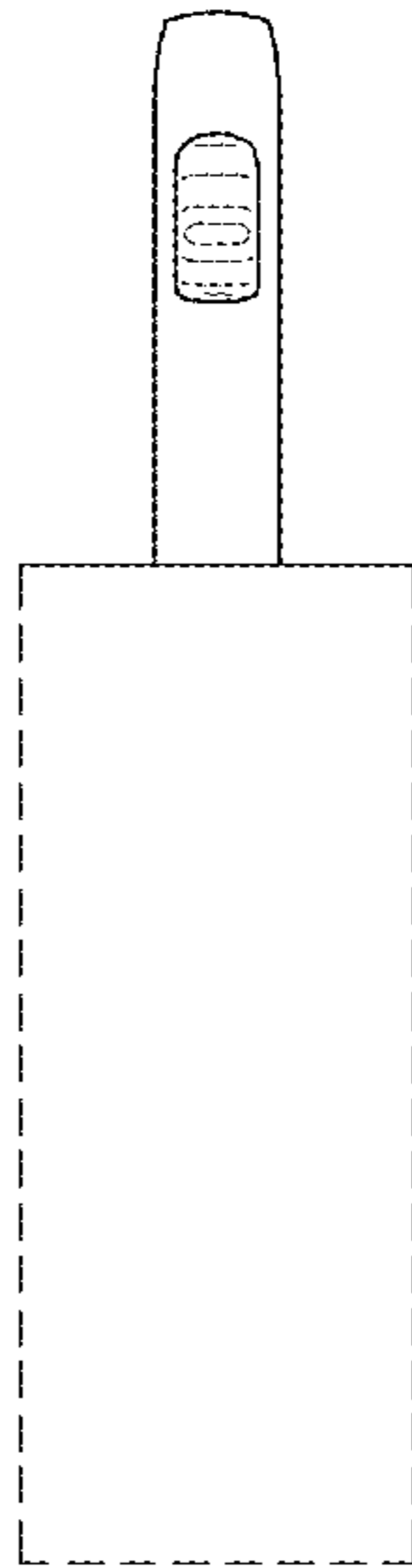
FIG. 2



**FIG. 3**

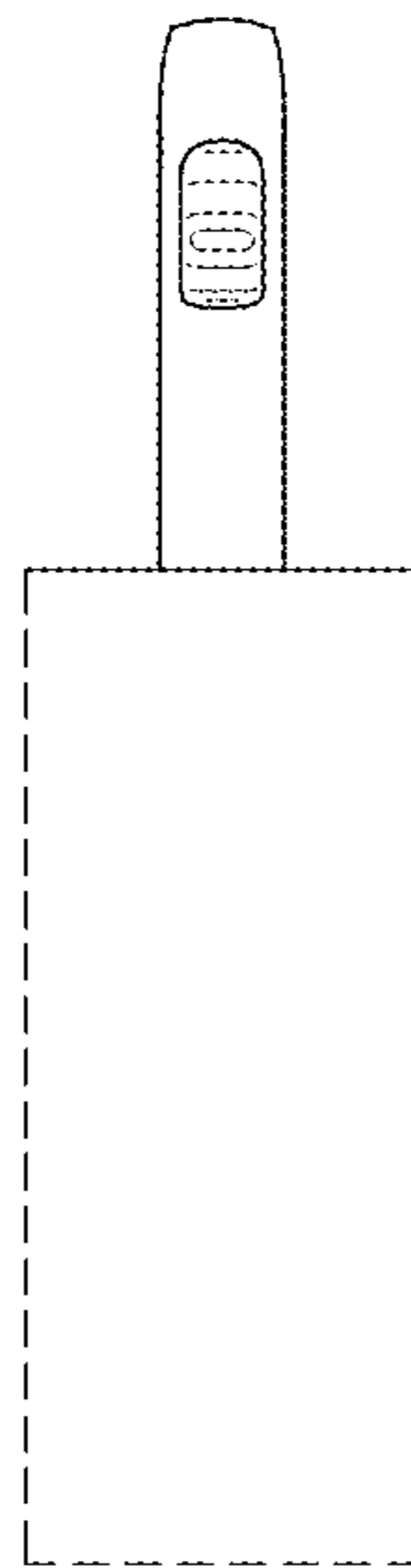


**FIG. 4**

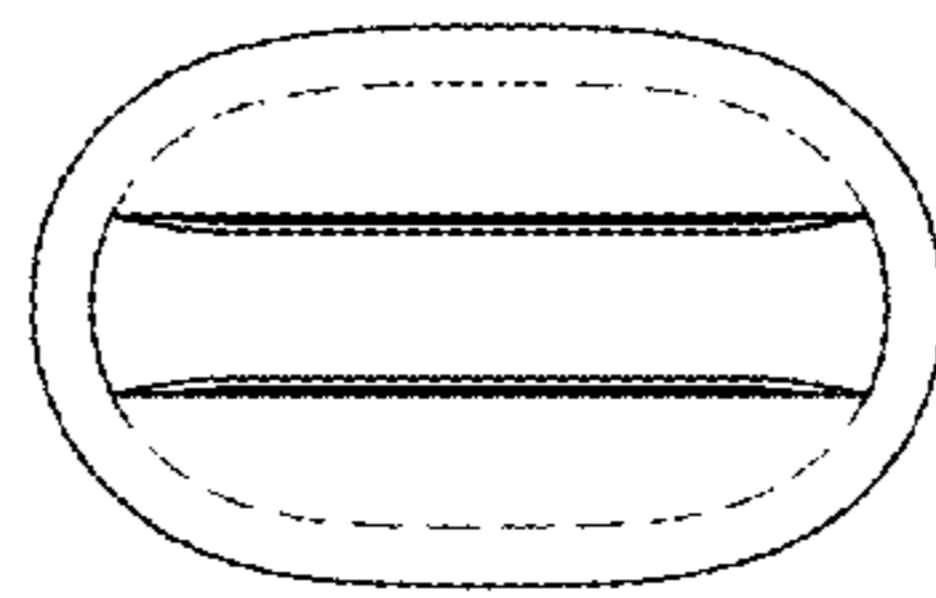


**FIG. 5**

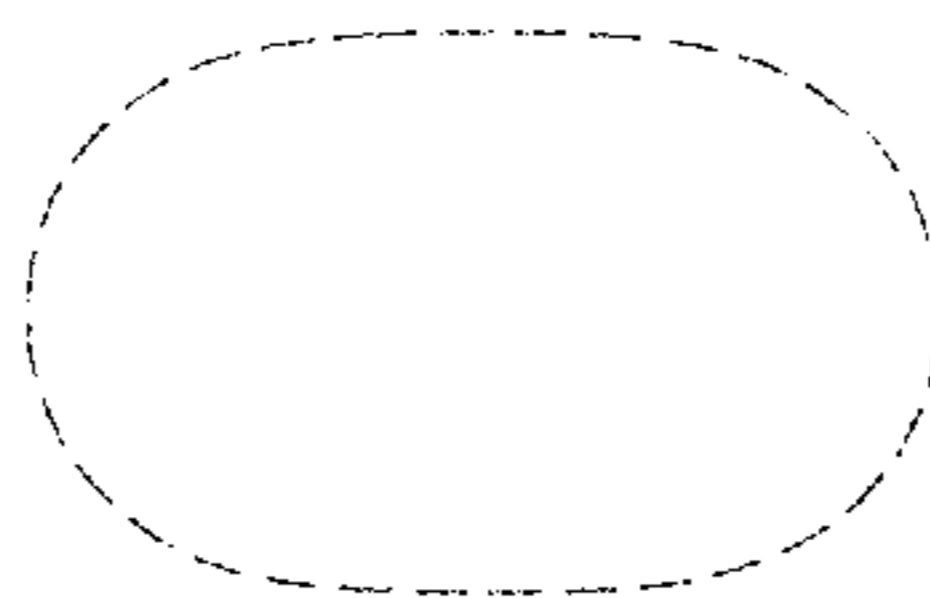




**FIG. 6**



**FIG. 7**



**FIG. 8**