



US00D813819S

(12) **United States Design Patent**
Esses

(10) **Patent No.:** **US D813,819 S**
(45) **Date of Patent:** **** Mar. 27, 2018**

- (54) **CABLE**
- (71) Applicant: **Alfred Esses**, Brooklyn, NY (US)
- (72) Inventor: **Alfred Esses**, Brooklyn, NY (US)
- (73) Assignee: **Alfred Esses**, Brooklyn, NY (US)
- (**) Term: **15 Years**
- (21) Appl. No.: **29/556,972**
- (22) Filed: **Mar. 4, 2016**
- (51) **LOC (11) Cl.** **13-03**
- (52) **U.S. Cl.**
USPC **D13/147**
- (58) **Field of Classification Search**
USPC D13/133, 146, 147, 154, 156, 184, 199;
D14/432, 433, 434, 435.1, 438
CPC H01R 4/24; H01R 13/52; H01R 13/533;
H01R 13/58; H01R 43/16; H01R 4/02;
H01R 4/66; H01R 24/20; H01R 24/60;
H01R 25/00; H01R 27/00; H01R 13/63;
H01R 13/639; H01R 13/6477; H01R
13/648; H01R 13/6581
See application file for complete search history.

D637,159 S *	5/2011	Hu	D13/147
D644,182 S *	8/2011	Hu	D13/147
D691,093 S *	10/2013	Yu	D13/147
D713,794 S *	9/2014	Katayanagi	D13/147

* cited by examiner

Primary Examiner — Daniel D Bui

(74) *Attorney, Agent, or Firm* — Moritt Hock & Hamroff
LLP; Steven S. Rubin, Esq.

(57) **CLAIM**

The ornamental design for a cable, as shown and described.

DESCRIPTION

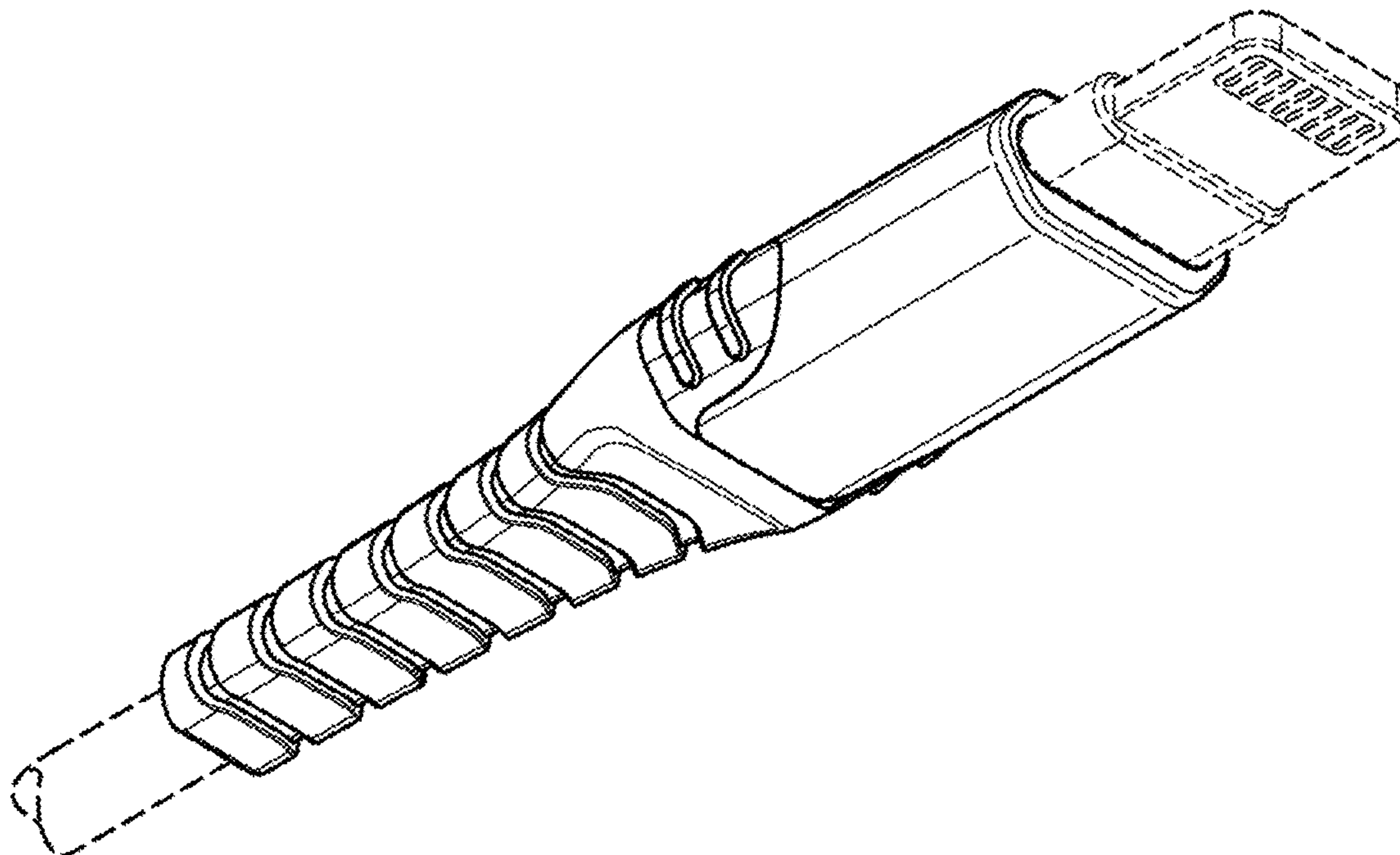
FIG. 1 is a bottom perspective view of a cable showing my new design;
 FIG. 2 is a top plan view thereof;
 FIG. 3 is a bottom plan view thereof;
 FIG. 4 is a left side elevation view thereof;
 FIG. 5 is a right side elevation view thereof;
 FIG. 6 is a front elevation view thereof; and,
 FIG. 7 is a back elevation view thereof.
 The broken line in the drawing views represent unclaimed environment only and forms no part of the claimed design.

1 Claim, 3 Drawing Sheets

(56) **References Cited**

U.S. PATENT DOCUMENTS

D585,836 S *	2/2009	Lee	D13/154
D637,158 S *	5/2011	Hu	D13/147



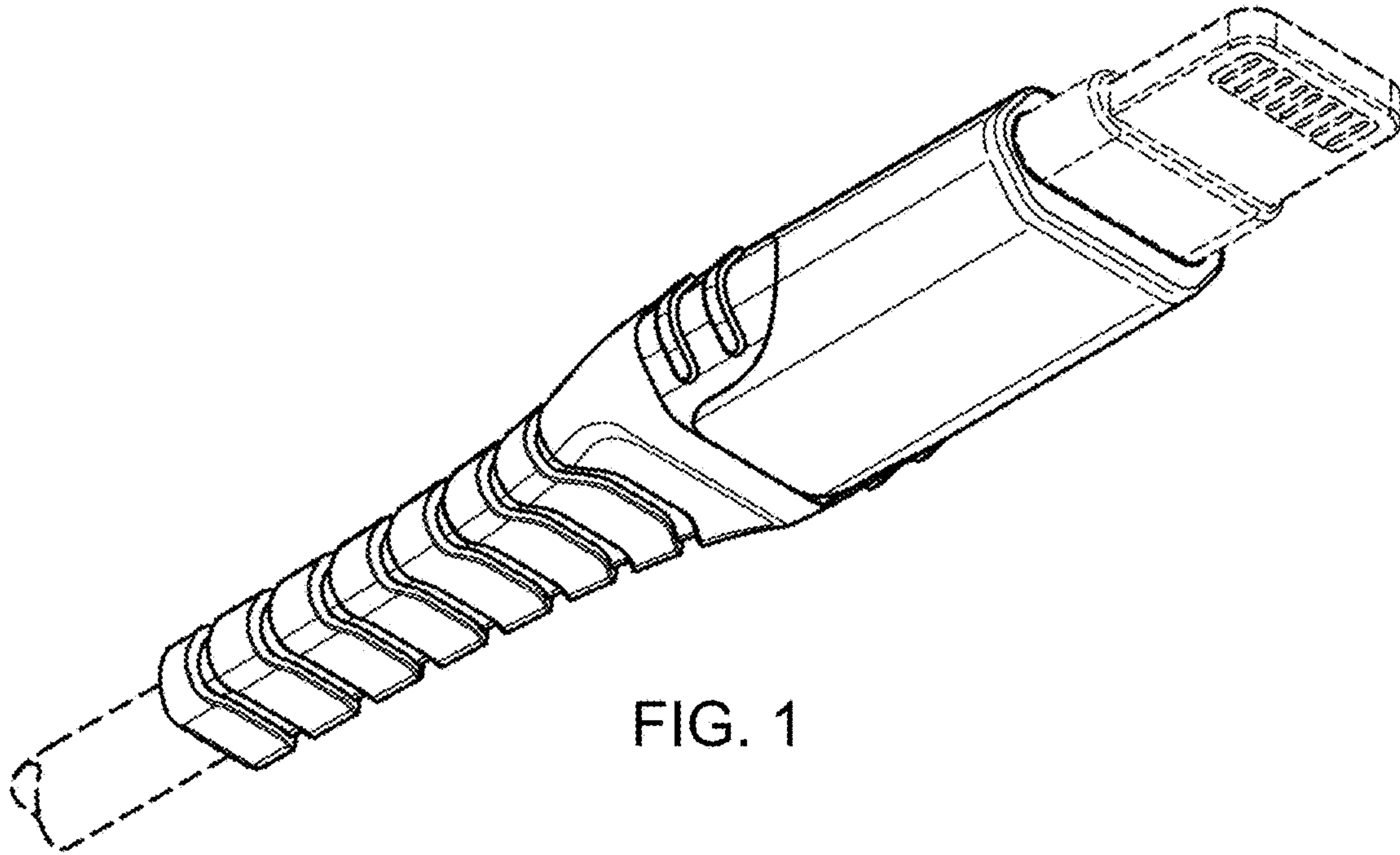


FIG. 1

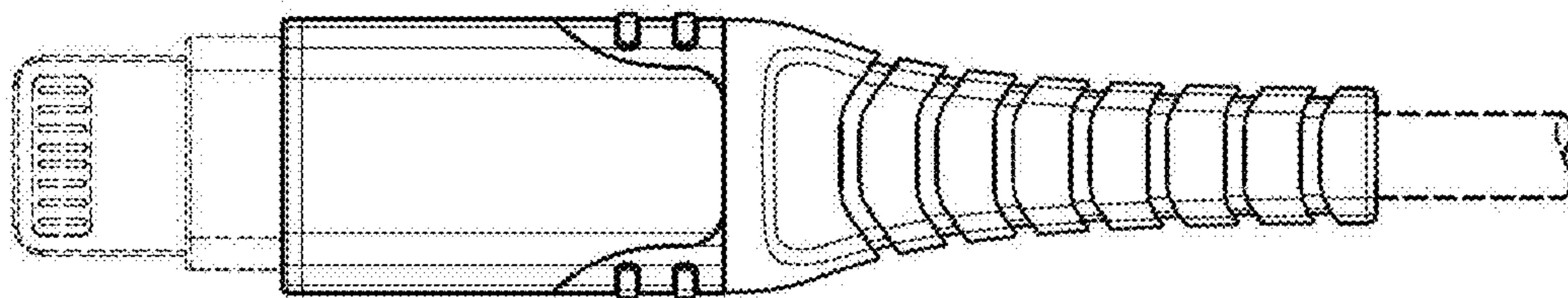


FIG. 2

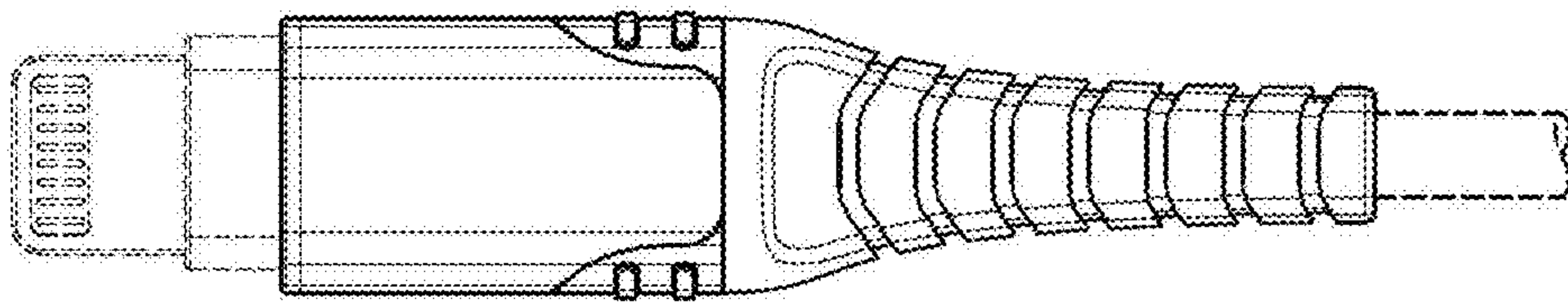


FIG. 3

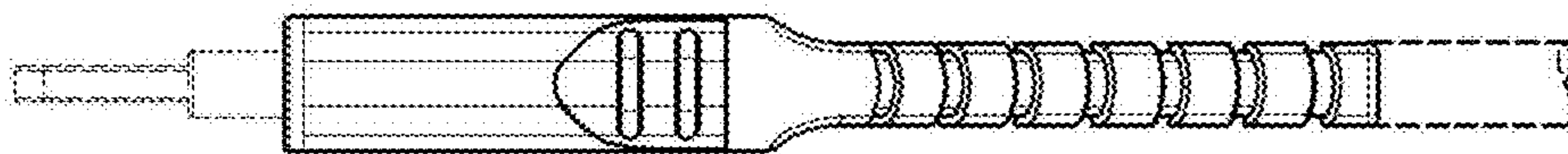


FIG. 4

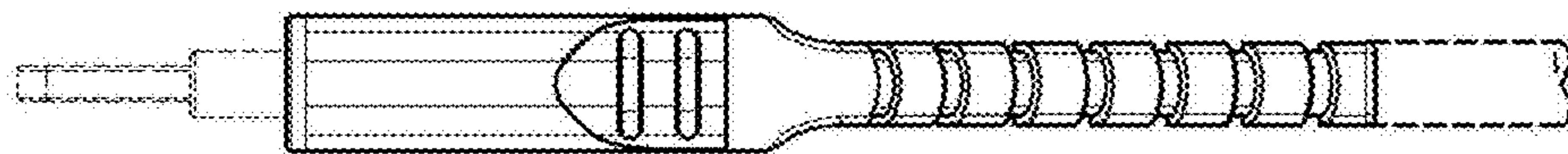


FIG. 5

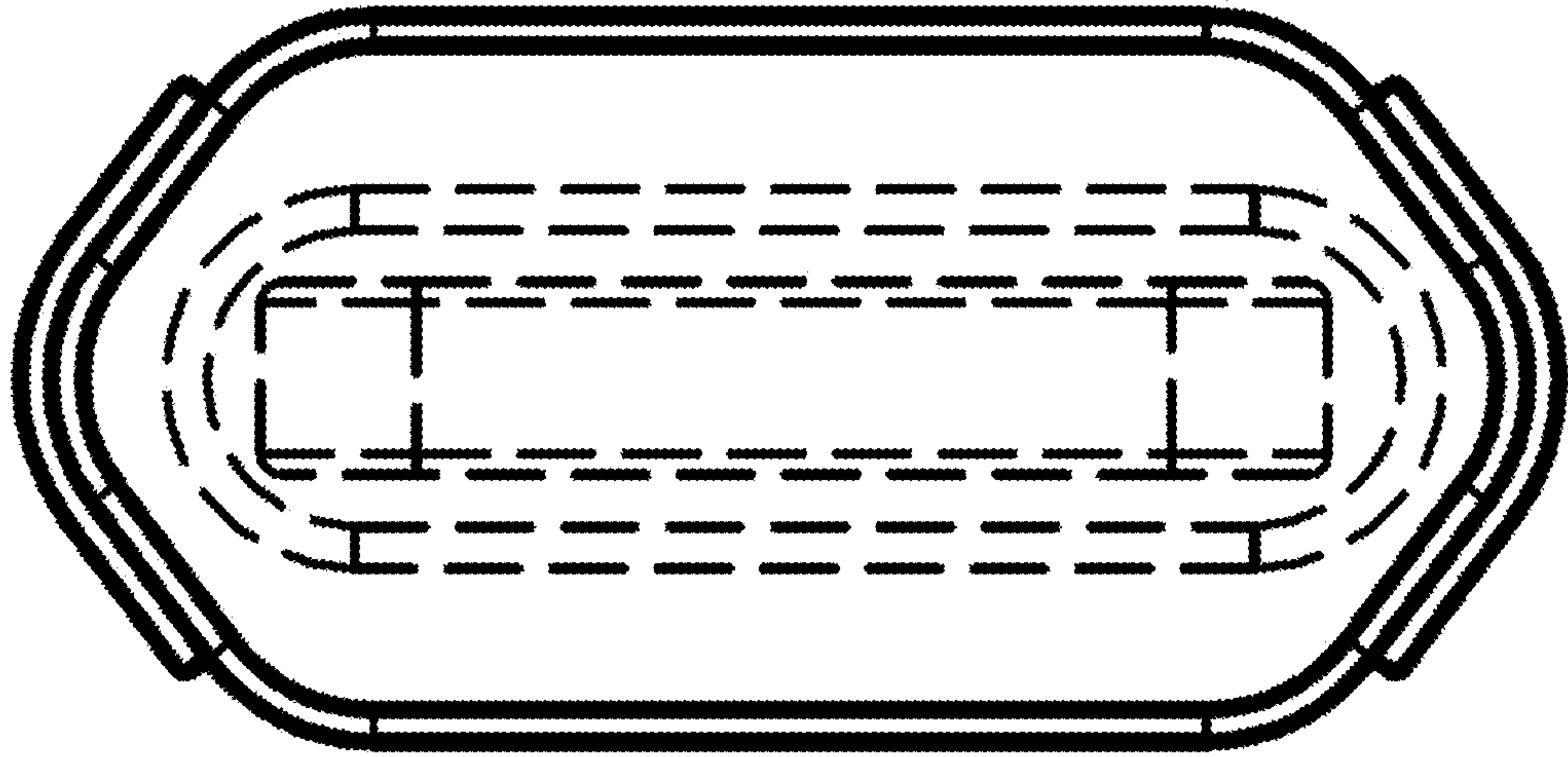


FIG. 6

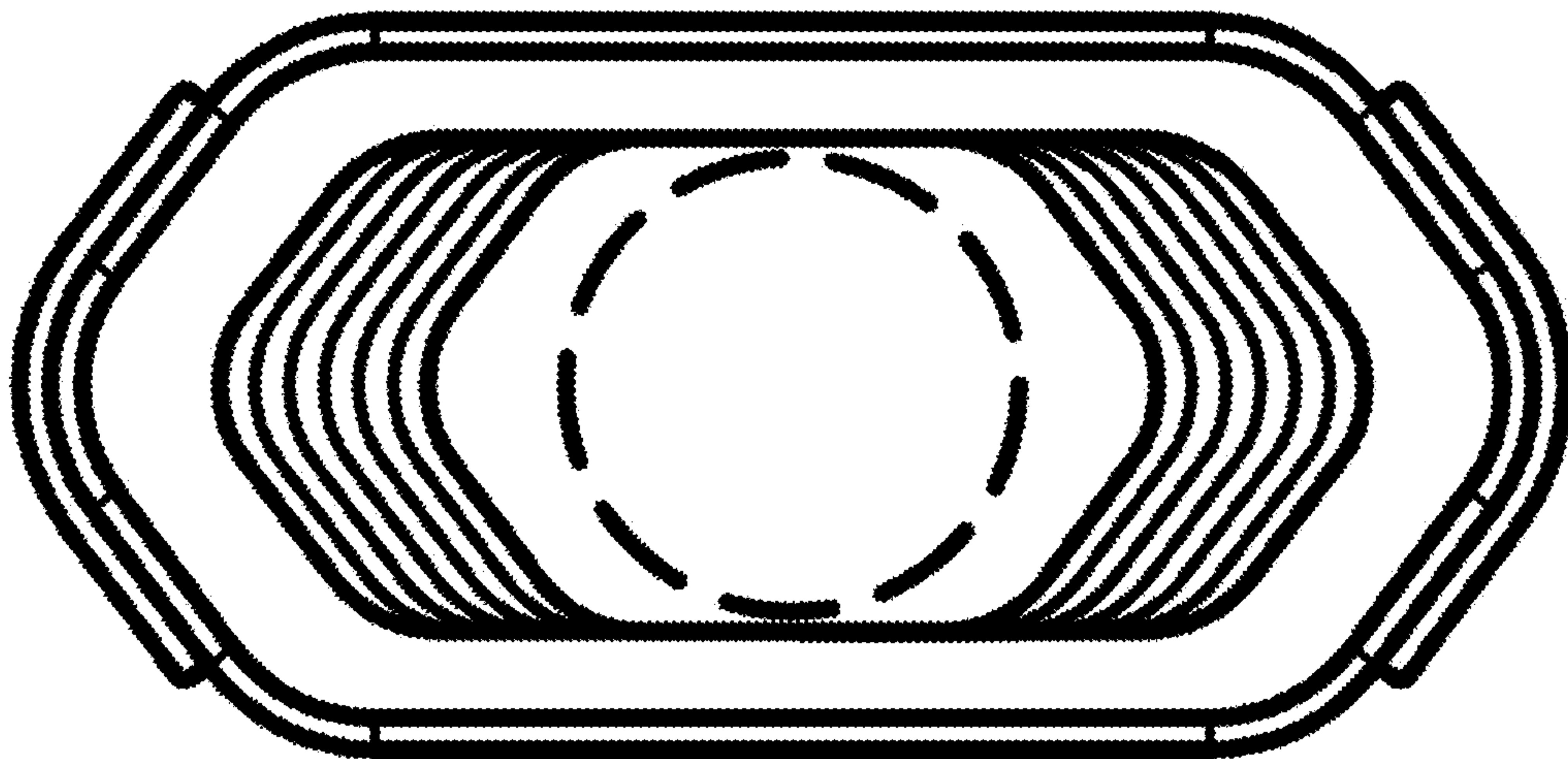


FIG. 7