



US00D813818S

(12) **United States Design Patent**  
**Ni et al.**

(10) **Patent No.:** **US D813,818 S**

(45) **Date of Patent:** **\*\* Mar. 27, 2018**

(54) **USB SOCKET**

(71) Applicant: **Wenzhou MTLIC Electric Co., Ltd.**,  
Yueqing, Zhejiang (CN)

(72) Inventors: **Lidong Ni**, Yueqing (CN); **Wei Gao**,  
Zhejiang (CN)

(73) Assignee: **Wenzhou MTLIC Electric Co., Ltd.**,  
Yueqing, Zhejiang (CN)

(\*\*) Term: **15 Years**

(21) Appl. No.: **29/538,264**

(22) Filed: **Sep. 2, 2015**

(51) **LOC (11) Cl.** ..... **13-03**

(52) **U.S. Cl.**  
USPC ..... **D13/137.2**

(58) **Field of Classification Search**  
USPC ... D13/137.1–137.2, 139.1–139.6, 152, 108;  
D30/199; 361/42  
CPC ..... H01H 73/14; H01H 71/62  
See application file for complete search history.

(56) **References Cited**

**U.S. PATENT DOCUMENTS**

D419,531 S *	1/2000	Keung	.....	D13/139.3
D430,539 S *	9/2000	Leopold	.....	D13/139.3
D462,660 S *	9/2002	Huang	.....	D13/139.3
7,031,125 B2 *	4/2006	Germain	.....	H01H 73/14 361/42
7,209,330 B2 *	4/2007	DiSalvo	.....	H01H 71/62 361/42
D545,272 S *	6/2007	Zhang	.....	D13/139.3
D551,625 S *	9/2007	Loftus	.....	D13/139.3
D601,962 S *	10/2009	Song	.....	D13/139.6
D686,577 S *	7/2013	Flagello	.....	D13/152

D696,198 S *	12/2013	Roy	.....	D13/139.1
D719,512 S *	12/2014	Roy	.....	D13/139.6
D719,915 S *	12/2014	McMahon	.....	D13/139.1
D732,719 S *	6/2015	Mozdzer	.....	D13/139.1
D744,952 S *	12/2015	Ni	.....	D13/139.3
D778,239 S *	2/2017	Ni	.....	D13/108

\* cited by examiner

*Primary Examiner* — Rhea Shields

(74) *Attorney, Agent, or Firm* — Ziegler IP Law Group,  
LLC

(57) **CLAIM**

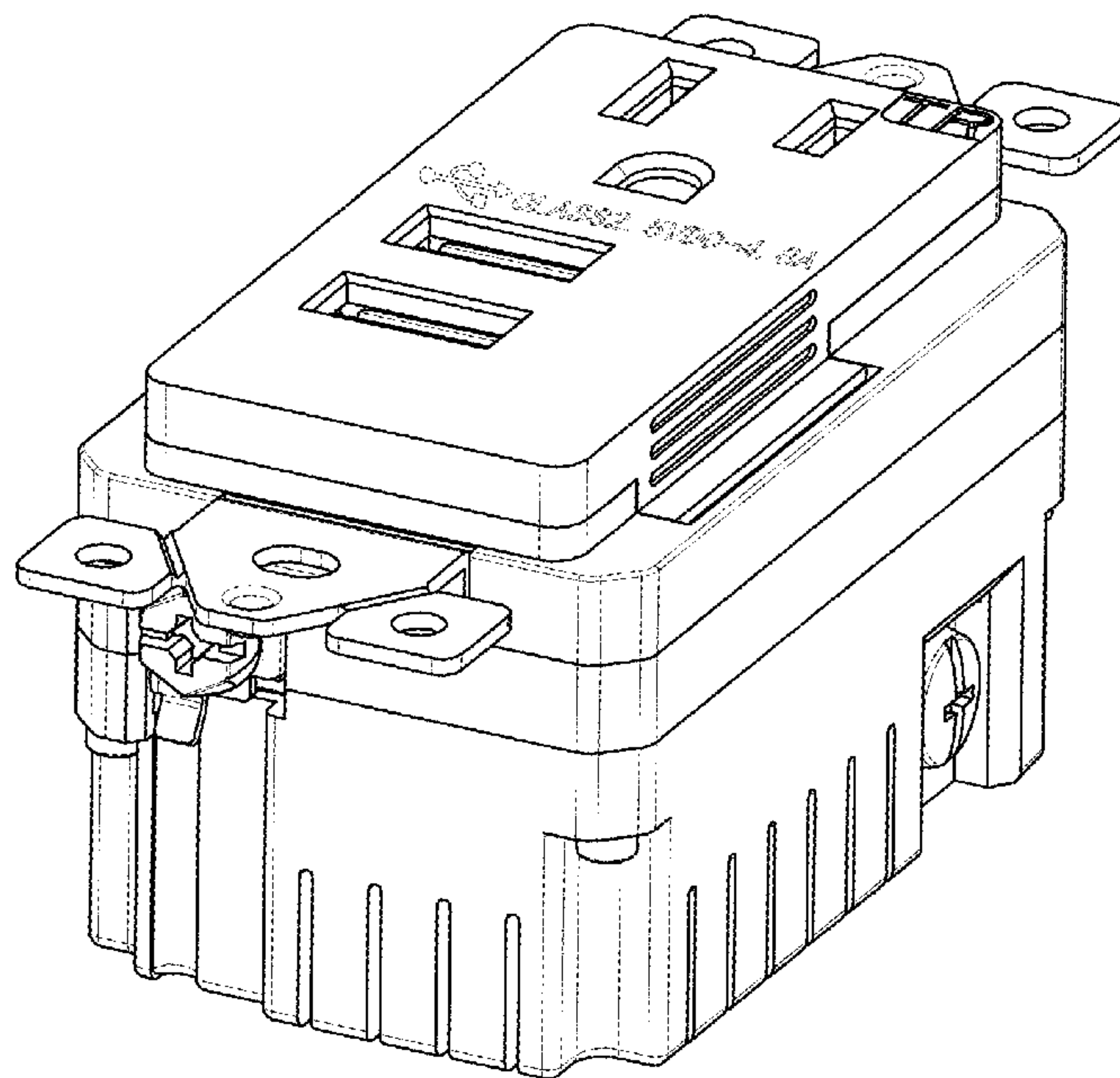
The ornamental design for a USB socket, as shown and described.

**DESCRIPTION**

FIG. 1 is a perspective view of a first embodiment of the USB socket showing our new design;  
 FIG. 2 is a front view thereof;  
 FIG. 3 is a left side view thereof;  
 FIG. 4 is a right side view thereof;  
 FIG. 5 is a top plan view thereof;  
 FIG. 6 is a bottom plan view thereof;  
 FIG. 7 is a back view thereof;  
 FIG. 8 is a perspective view of a second embodiment of the USB socket showing our new design;  
 FIG. 9 is a front view thereof;  
 FIG. 10 is a left side view thereof;  
 FIG. 11 is a right side view thereof;  
 FIG. 12 is a top plan view thereof;  
 FIG. 13 is a bottom plan view thereof; and,  
 FIG. 14 is a back view thereof.

In the drawings, the broken lines are for the purpose of illustrating environment only and form no part of the claimed design.

**1 Claim, 14 Drawing Sheets**



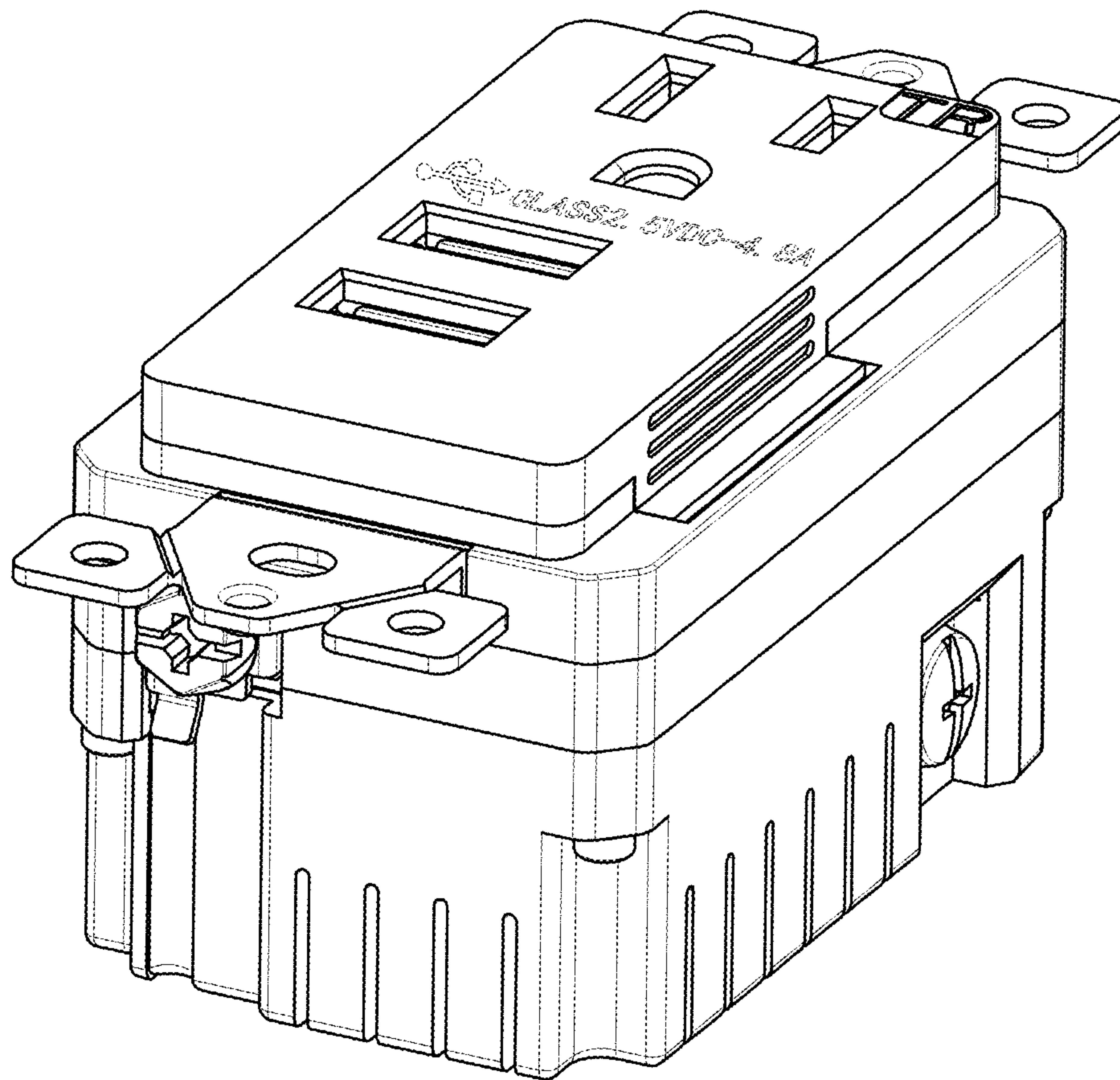


Figure 1

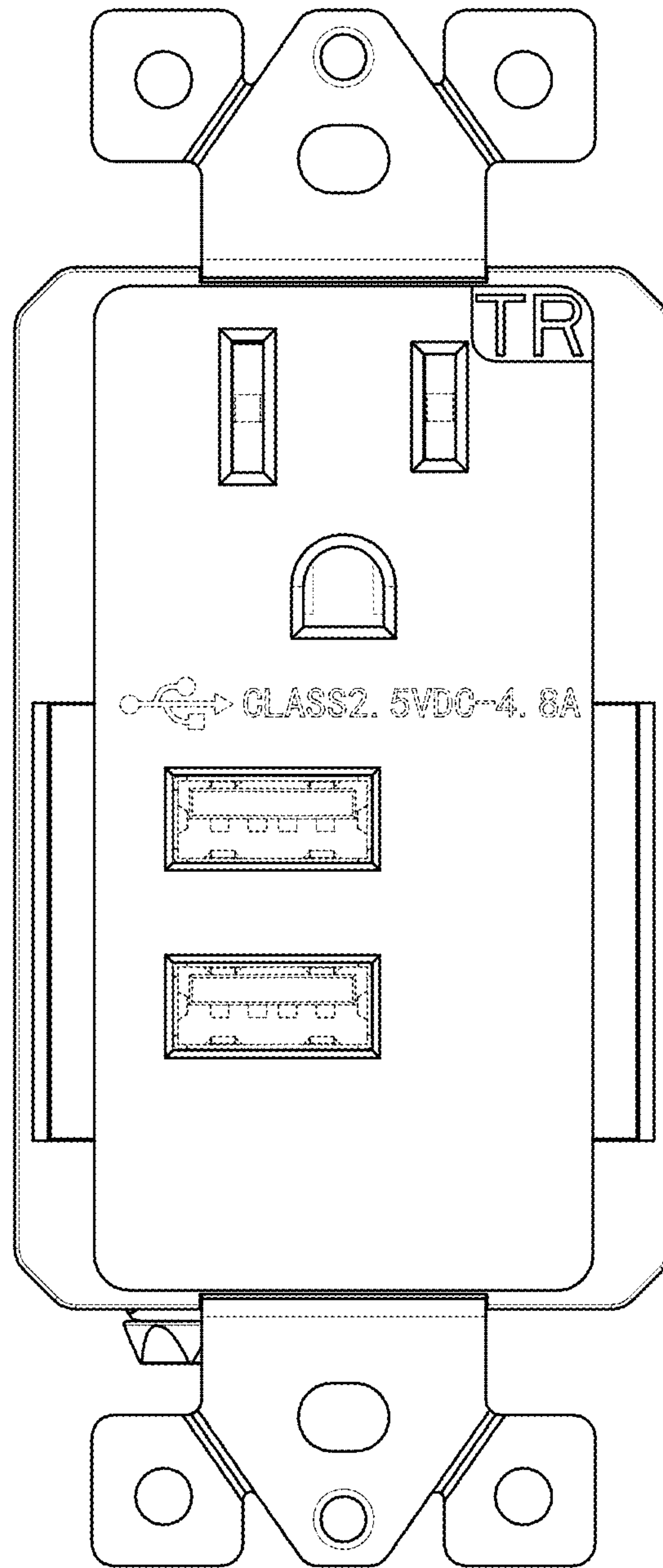


Figure 2

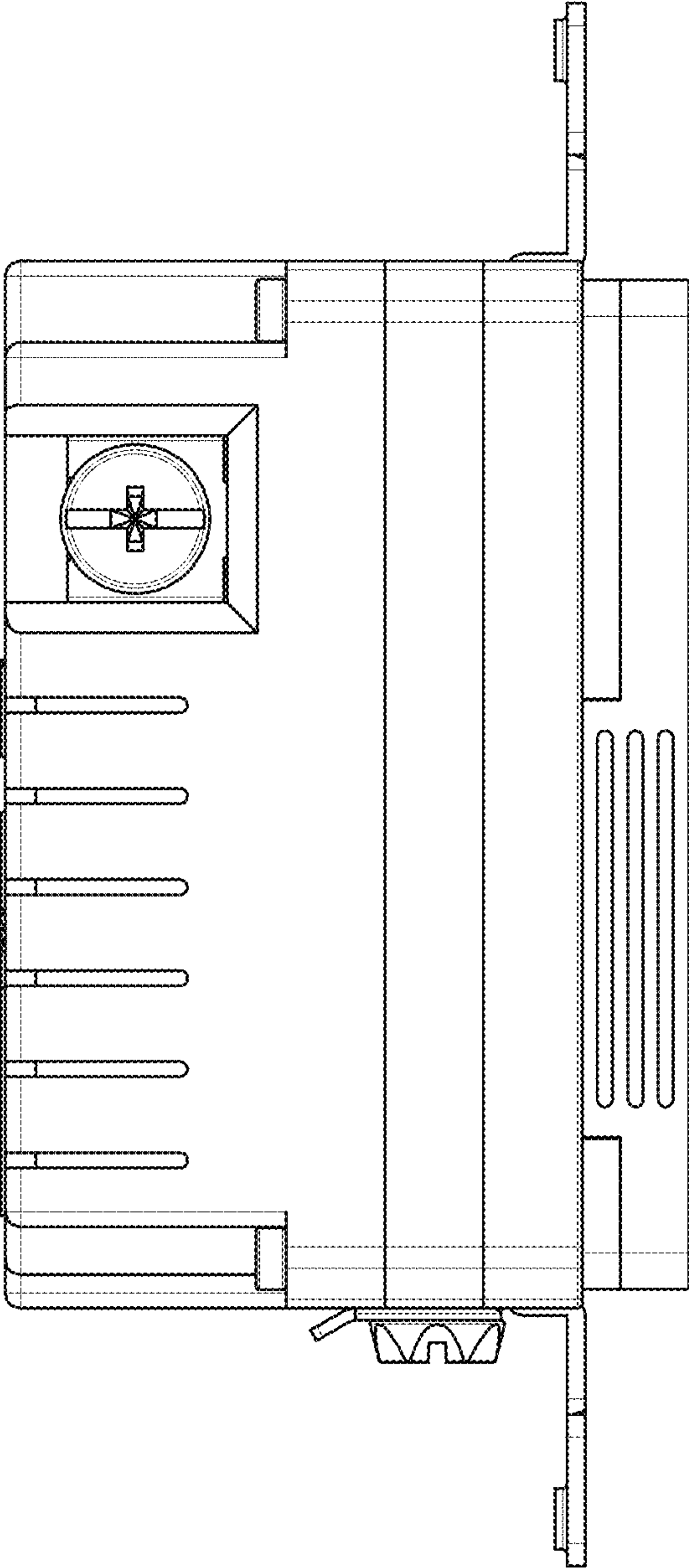


Figure 3

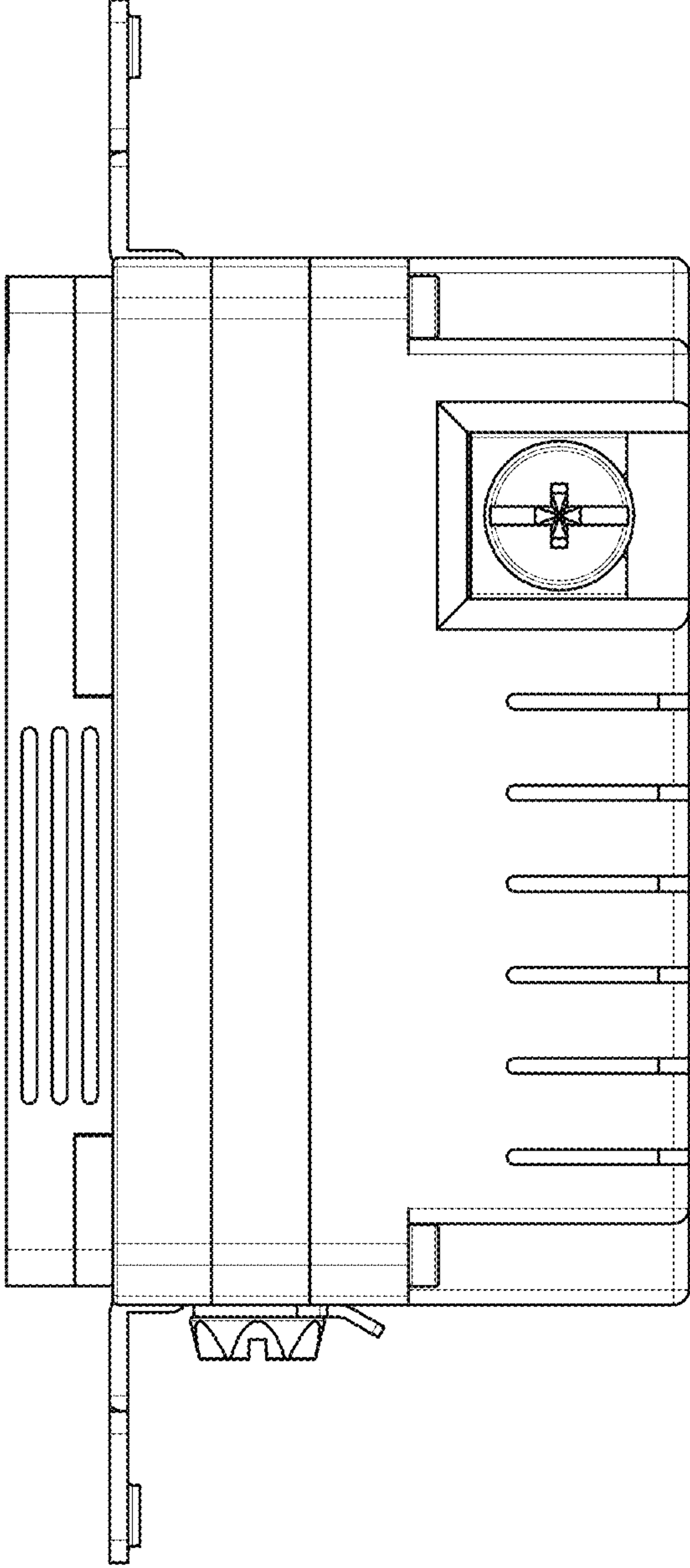


Figure 4



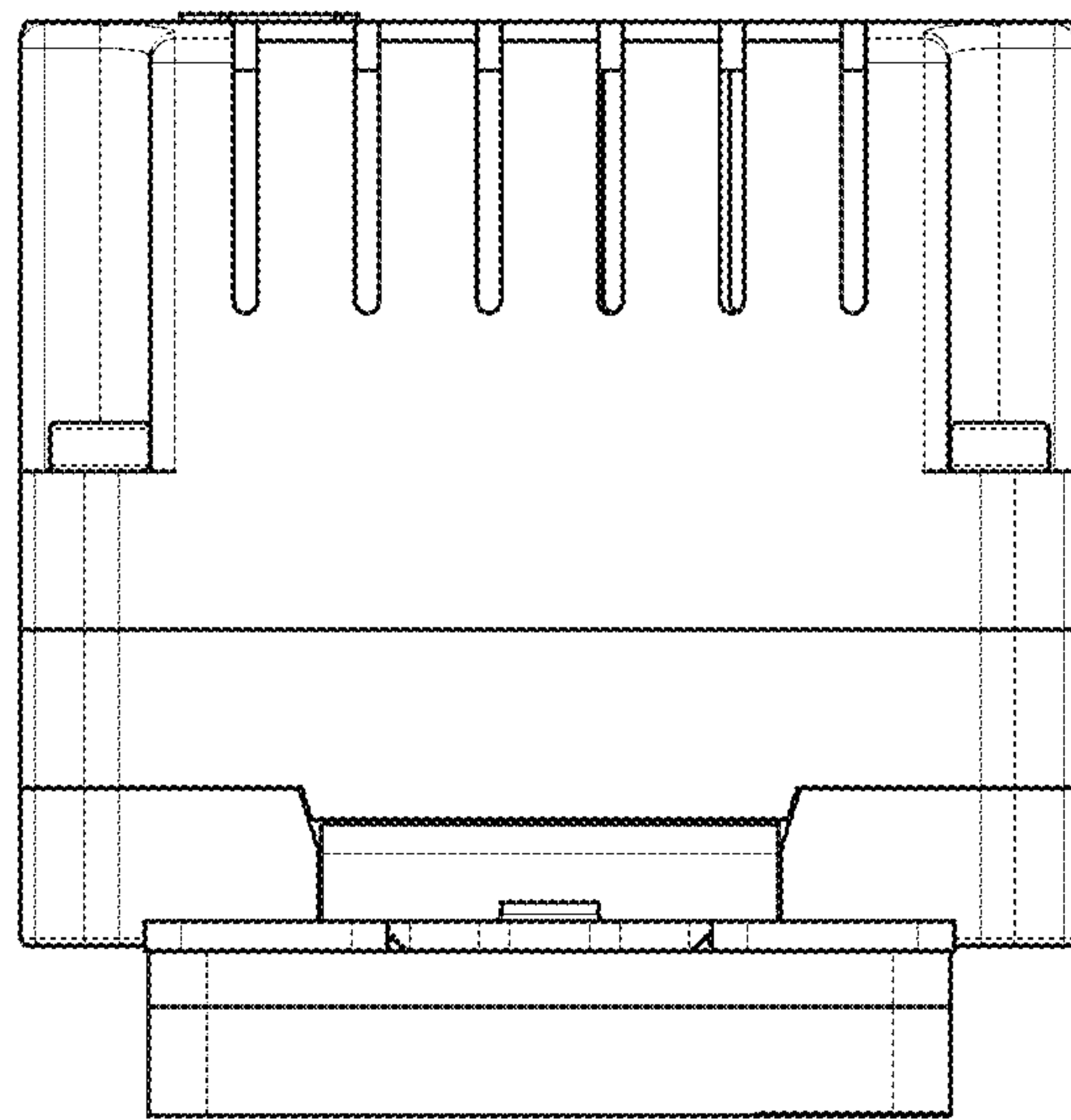


Figure 5

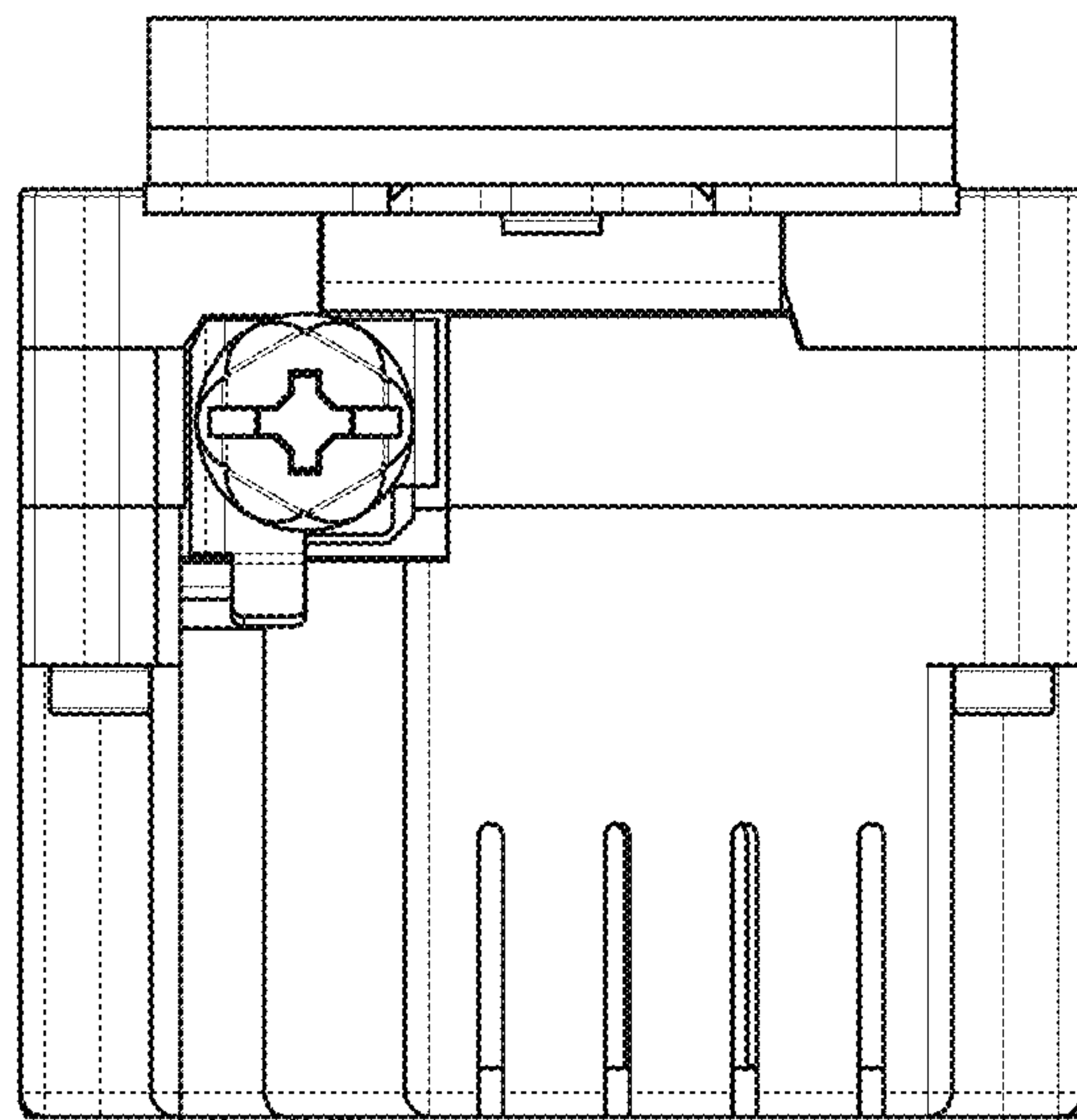


Figure 6

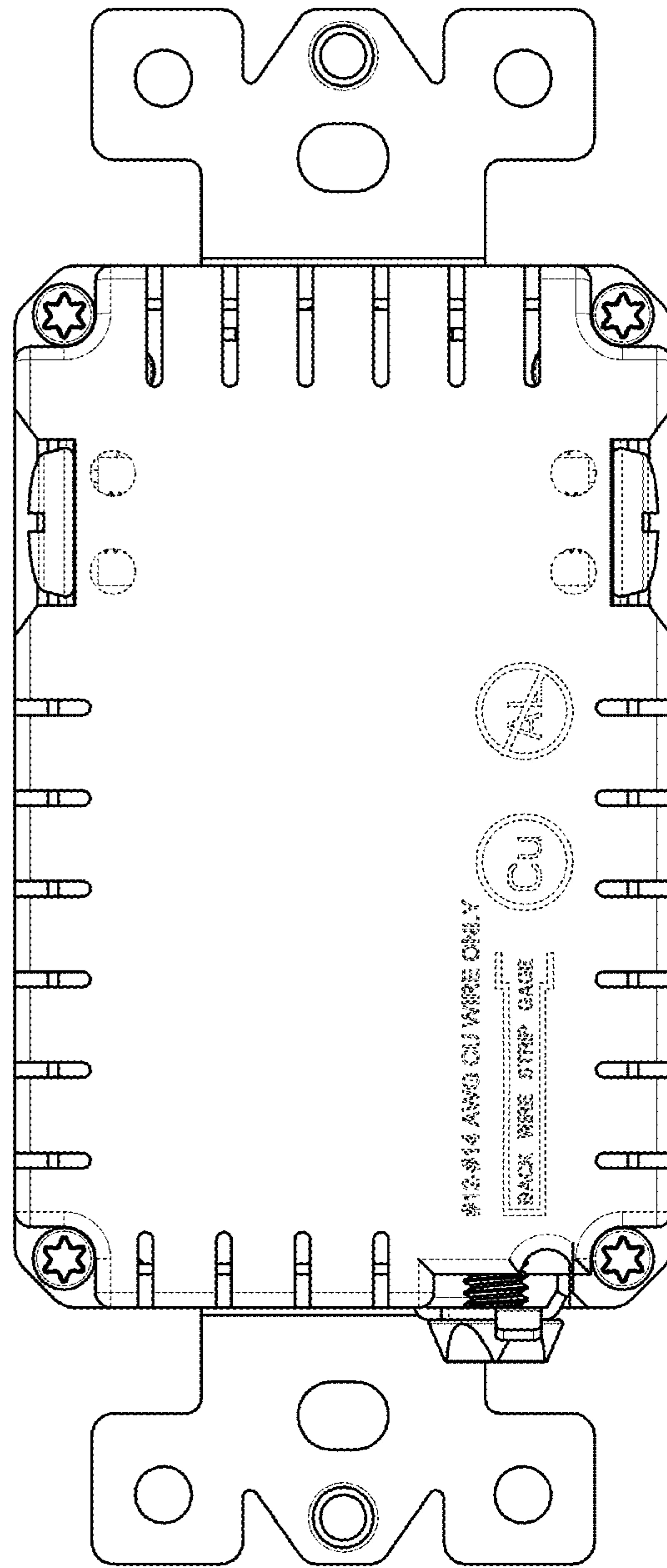


Figure 7



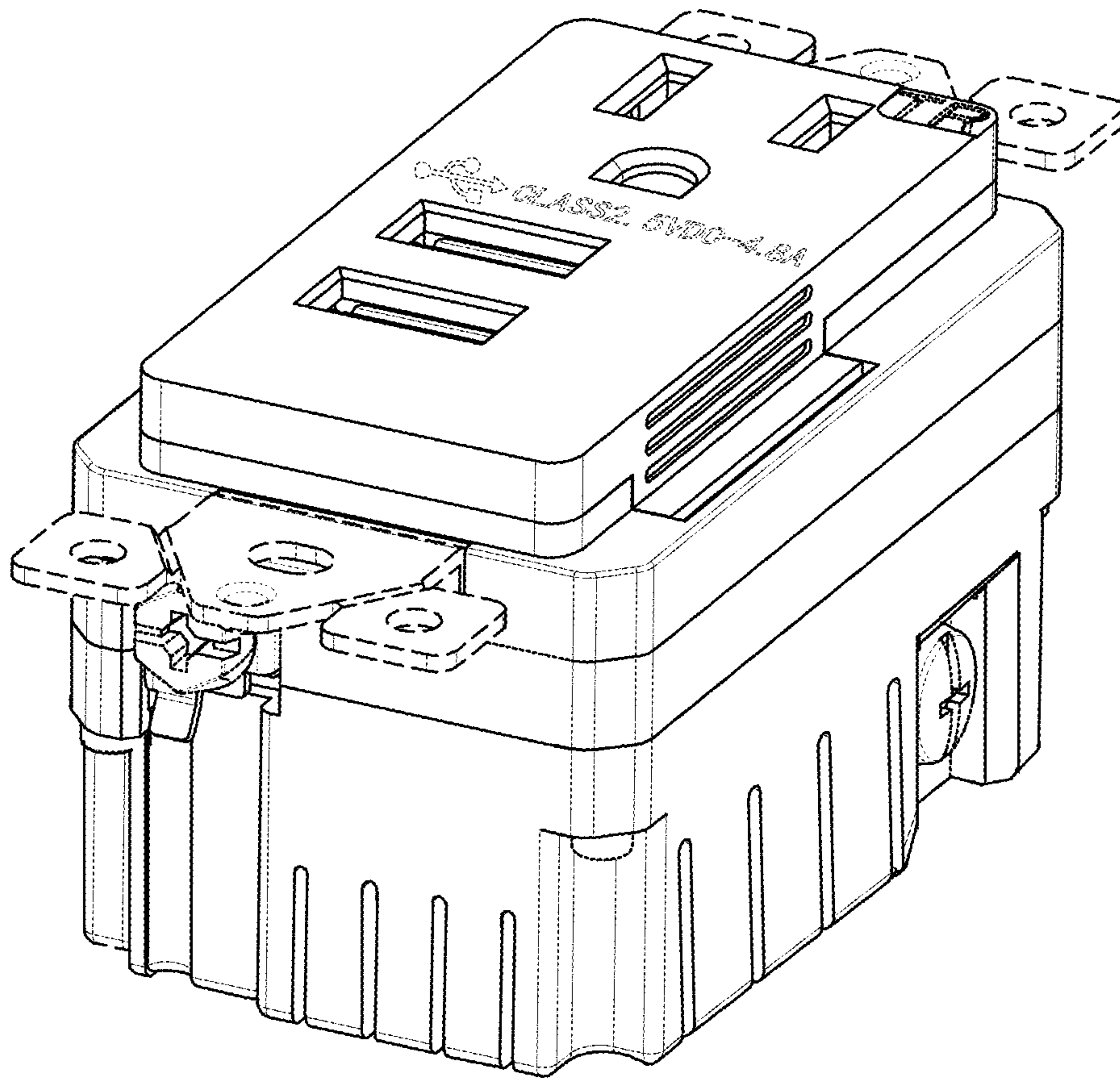


Figure 8

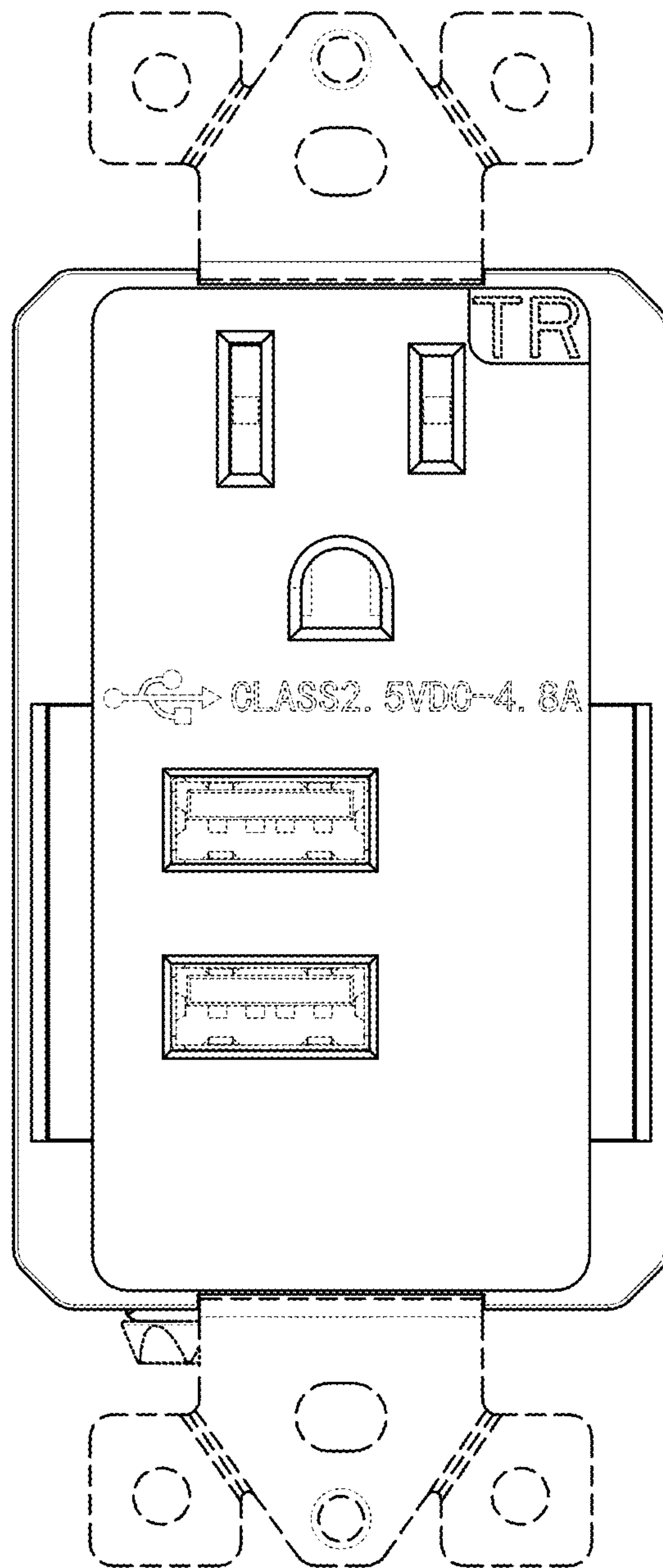


Figure 9

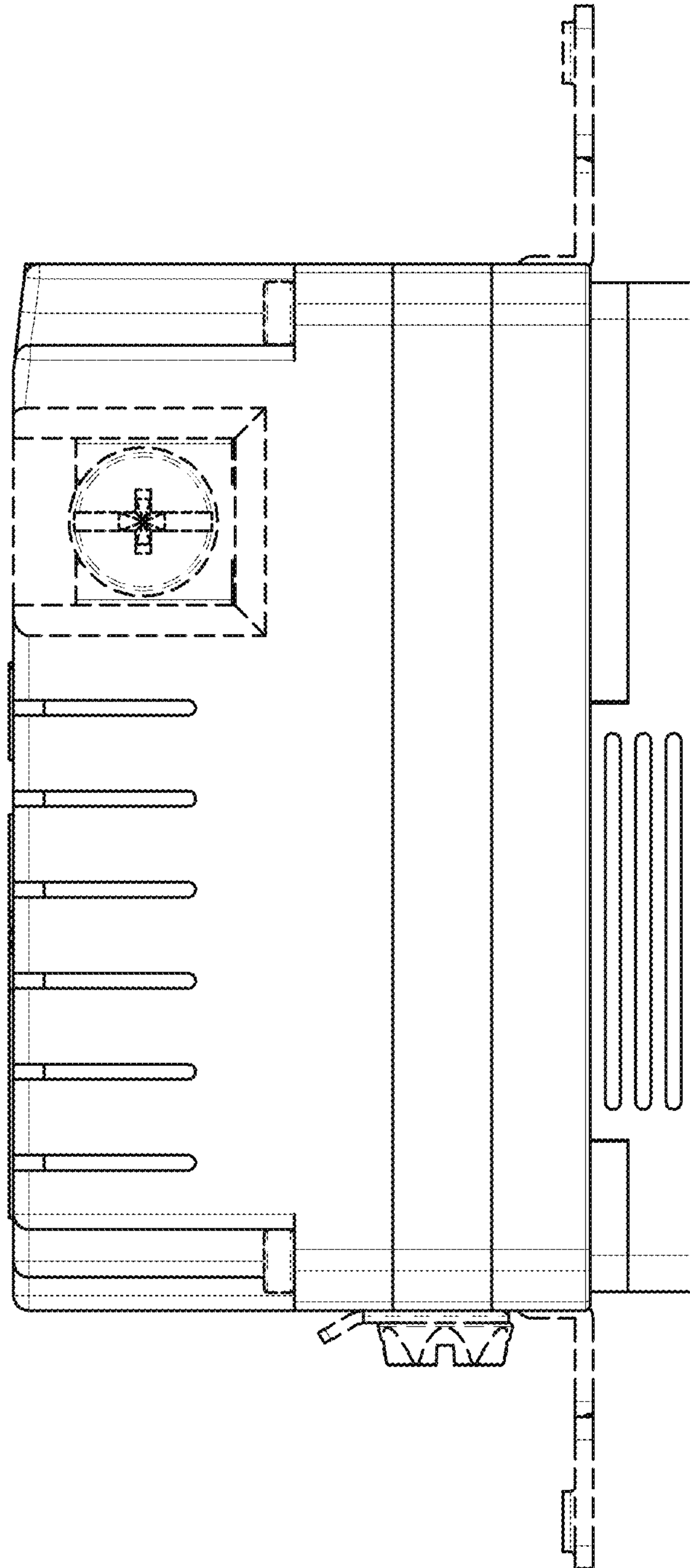


Figure 10

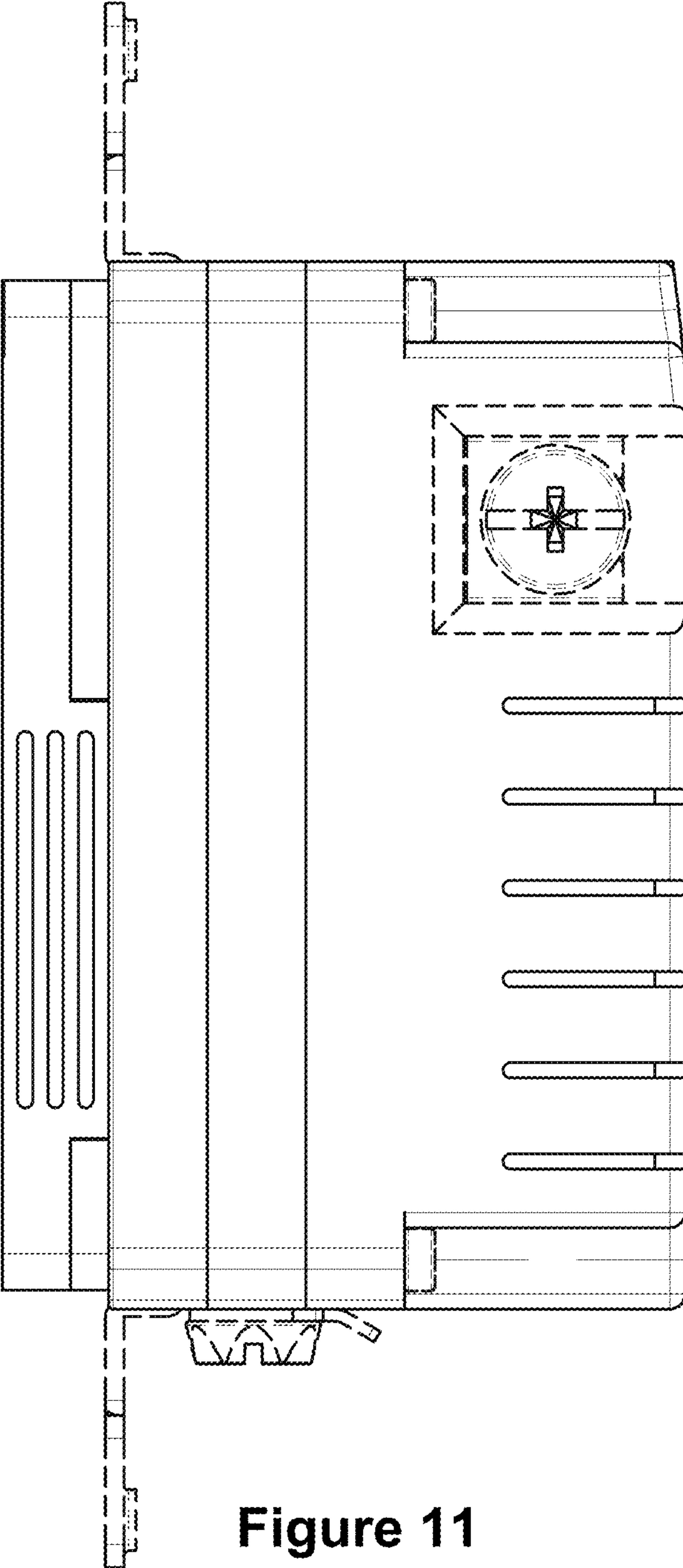


Figure 11

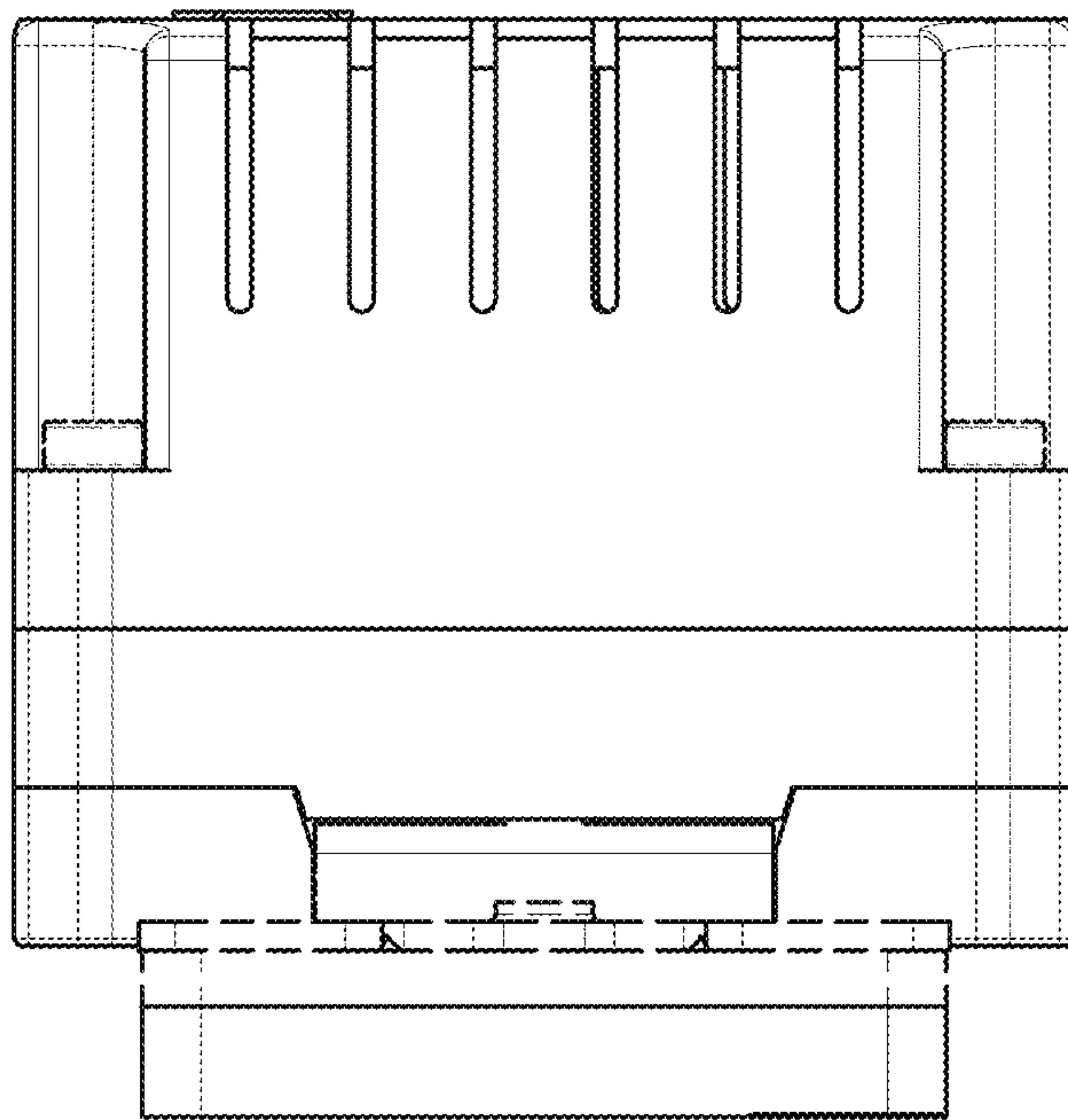


Figure 12

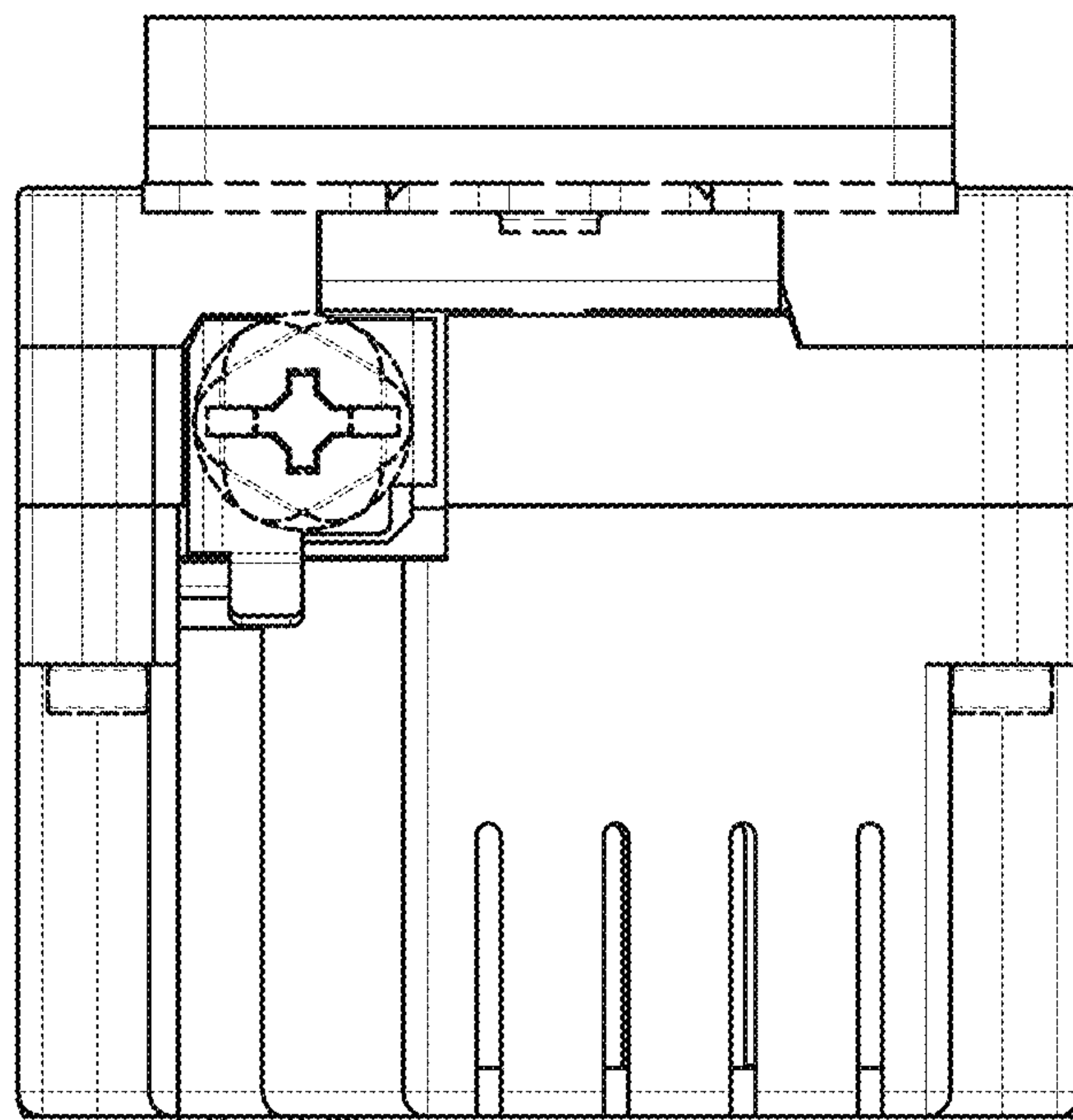


Figure 13



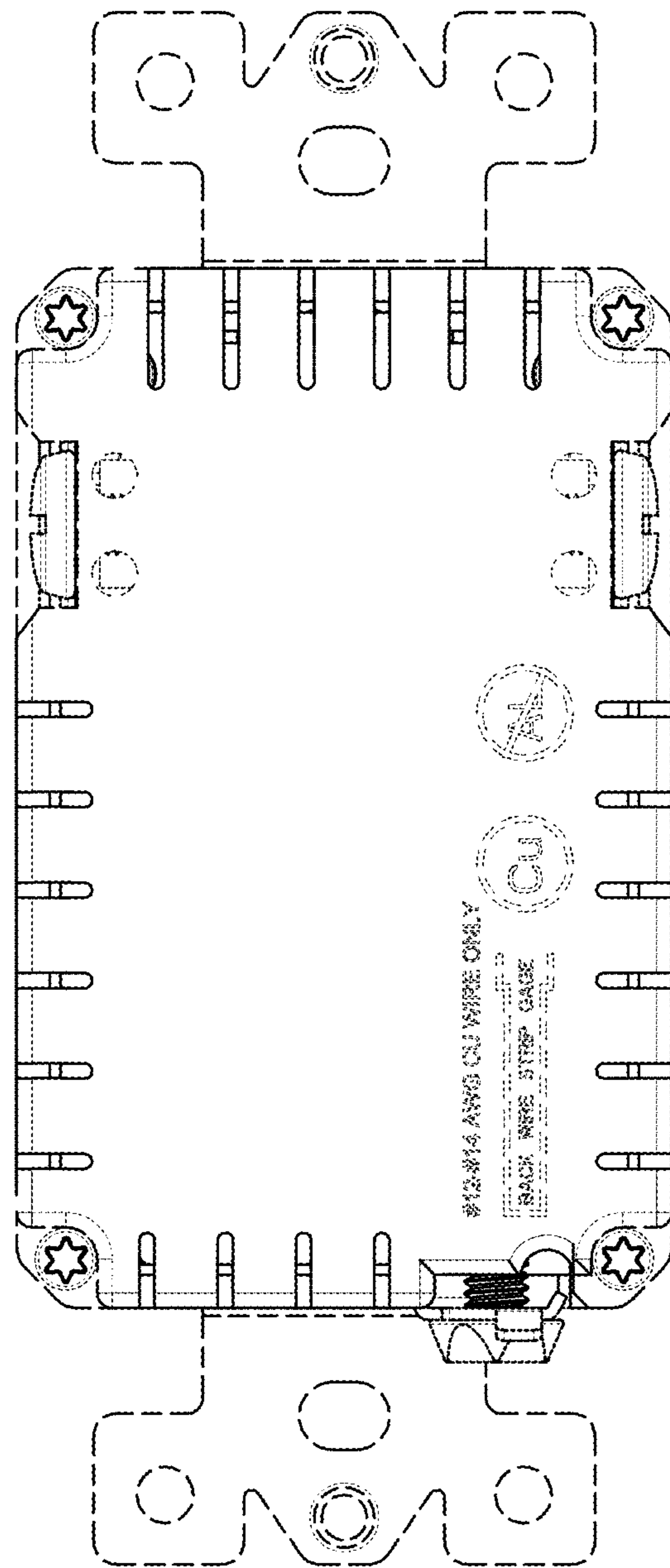


Figure 14