



US00D813817S

(12) **United States Design Patent**
Kataoka

(10) **Patent No.:** **US D813,817 S**
(45) **Date of Patent:** **** Mar. 27, 2018**

(54) **ELECTRICAL CONNECTION TERMINAL**

(71) Applicant: **Japan Aviation Electronics Industry, Limited**, Tokyo (JP)

(72) Inventor: **Tomoki Kataoka**, Tokyo (JP)

(73) Assignee: **JAPAN AVIATION ELECTRONICS INDUSTRY, LIMITED**, Tokyo (JP)

(**) Term: **15 Years**

(21) Appl. No.: **29/595,206**

(22) Filed: **Feb. 27, 2017**

(30) **Foreign Application Priority Data**

Sep. 13, 2016 (JP) 2016-019753

(51) **LOC (11) Cl.** **13-03**

(52) **U.S. Cl.**
USPC **D13/133**

(58) **Field of Classification Search**

USPC D13/103, 110, 112, 118-123, 133, 134,
D13/145-147, 149, 152, 154-156, 173,
D13/184, 199

CPC H01R 4/24; H01R 4/48; H01R 4/4818;
H01R 11/22; H01R 11/30; H01R 12/00;
H01R 12/57; H01R 13/00; H01R 13/11;
H01R 13/40; H01R 13/42; H01R 13/50;
H01R 13/60; H01R 13/62; H01R 13/68

See application file for complete search history.

(56) **References Cited**

U.S. PATENT DOCUMENTS

D196,506 S * 10/1963 Keller D13/149
4,708,416 A * 11/1987 Awano H01R 13/11
439/851
5,145,409 A * 9/1992 Sato H01R 9/0518
439/585
D332,773 S * 1/1993 Sato D13/133

5,839,925 A * 11/1998 Simmons H01R 13/113
439/595
7,198,526 B1 * 4/2007 MacNeil H01R 4/185
439/881
D553,080 S * 10/2007 Sakamaki D13/133
D621,368 S * 8/2010 Lee D13/154
D725,046 S * 3/2015 Kuo D13/154
D762,587 S * 8/2016 Ebisawa D13/154
D781,239 S * 3/2017 Ikeda D13/154
2006/0035538 A1 * 2/2006 Suemitsu H01R 13/113
439/852

(Continued)

Primary Examiner — Cathron C Brooks

Assistant Examiner — Shawn T Gingrich

(74) *Attorney, Agent, or Firm* — Manabu Kanesaka

(57) **CLAIM**

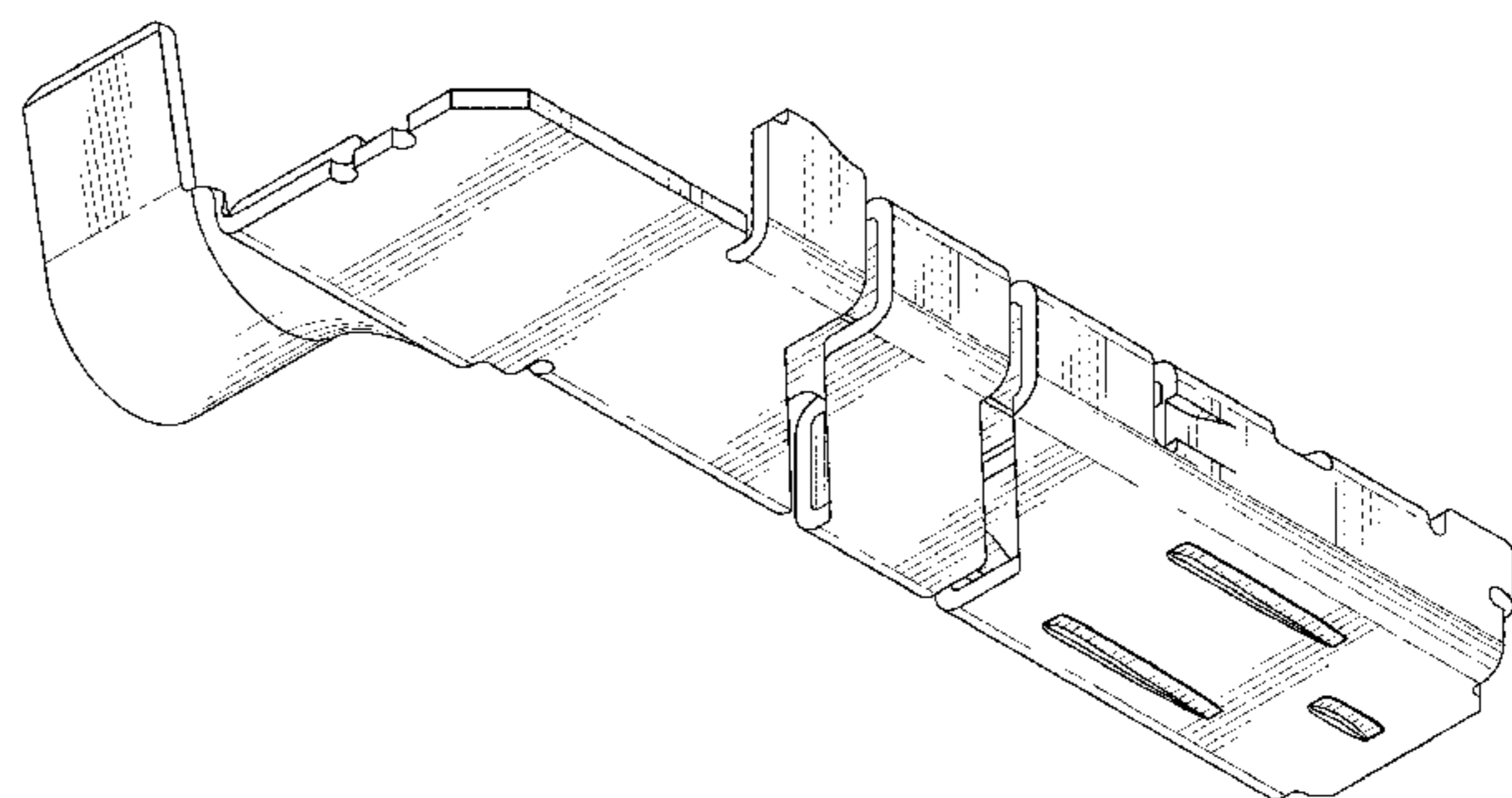
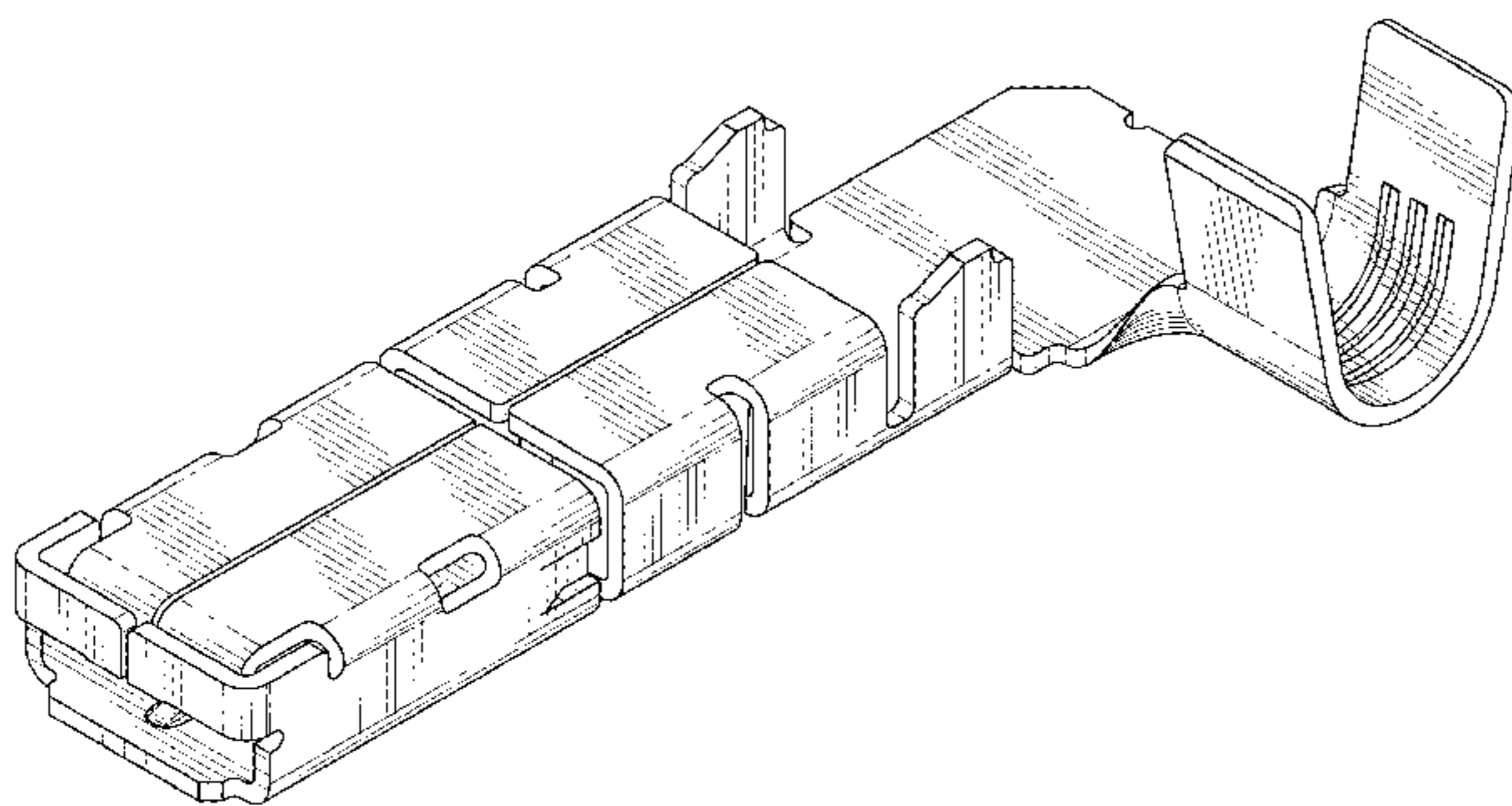
The ornamental design for an electrical connection terminal, as shown and described.

DESCRIPTION

FIG. 1 is a front elevational view of an electrical connection terminal showing my new design;
FIG. 2 is a rear elevational view thereof;
FIG. 3 is a right side elevational view thereof;
FIG. 4 is a left side elevational view thereof;
FIG. 5 is a top plan view thereof;
FIG. 6 is a bottom plan view thereof;
FIG. 7 is a perspective view showing a front, top and right side thereof;
FIG. 8 is a perspective view showing a rear, bottom and left side thereof;
FIG. 9 is a perspective view showing a front, right side and bottom thereof; and,
FIG. 10 is a perspective view showing a rear, left side and top thereof.

The broken lines are shown for environmental purposes only and depict portions of the electrical connection terminal that form no part of claimed design.

1 Claim, 9 Drawing Sheets



(56)

References Cited

U.S. PATENT DOCUMENTS

2016/0072203 A1* 3/2016 II H01R 13/113
439/816

* cited by examiner

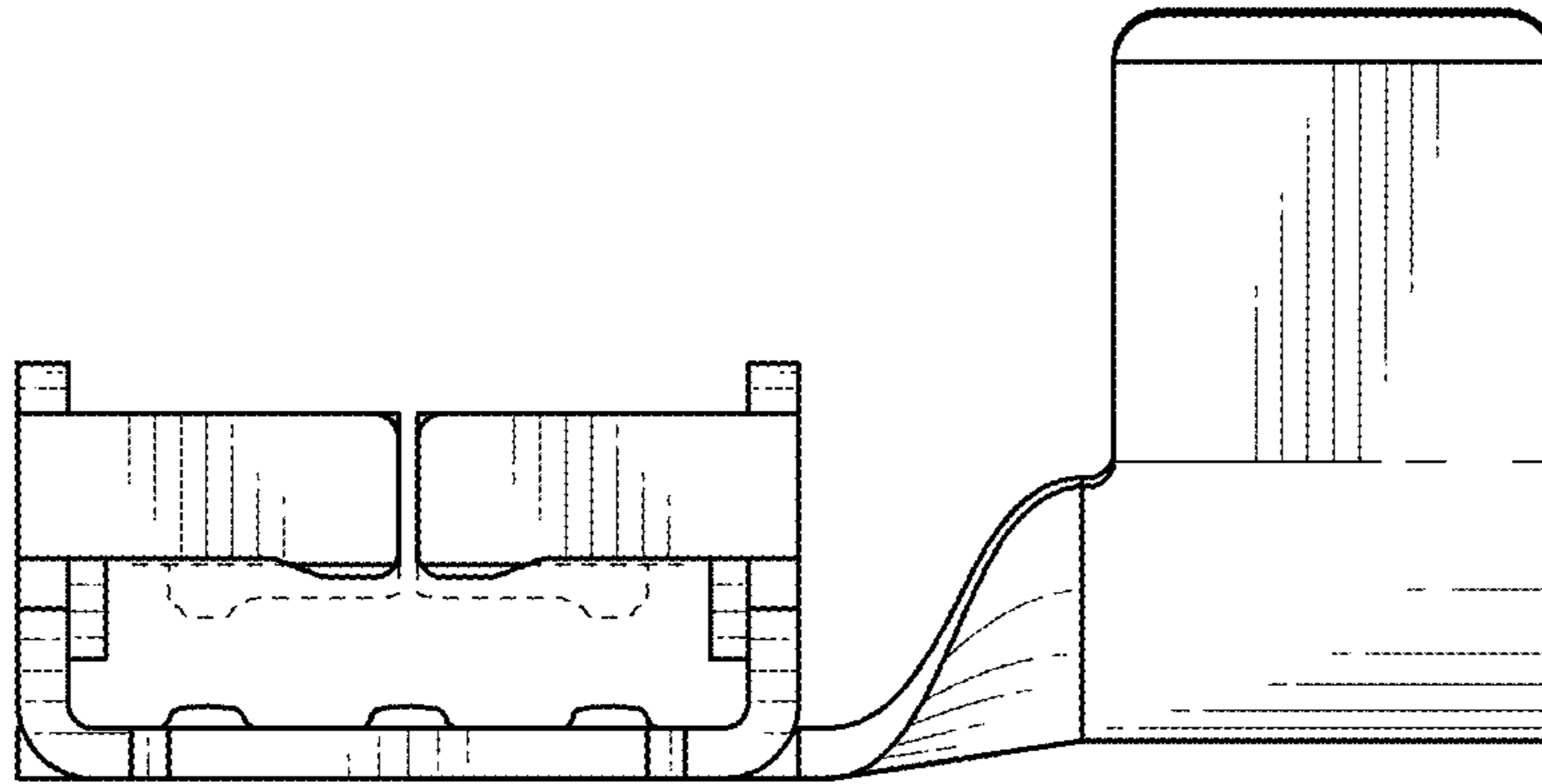


FIG. 1

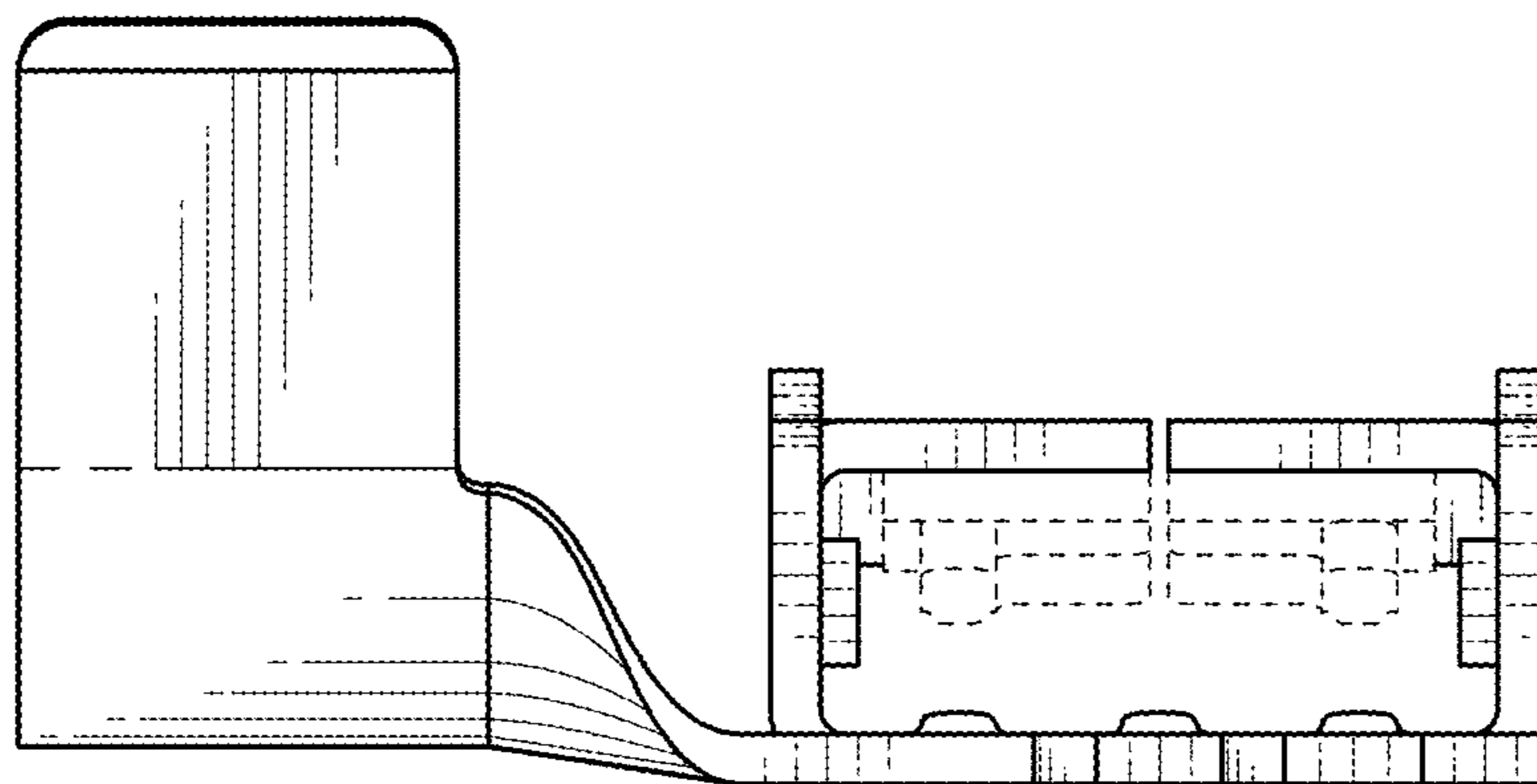


FIG. 2

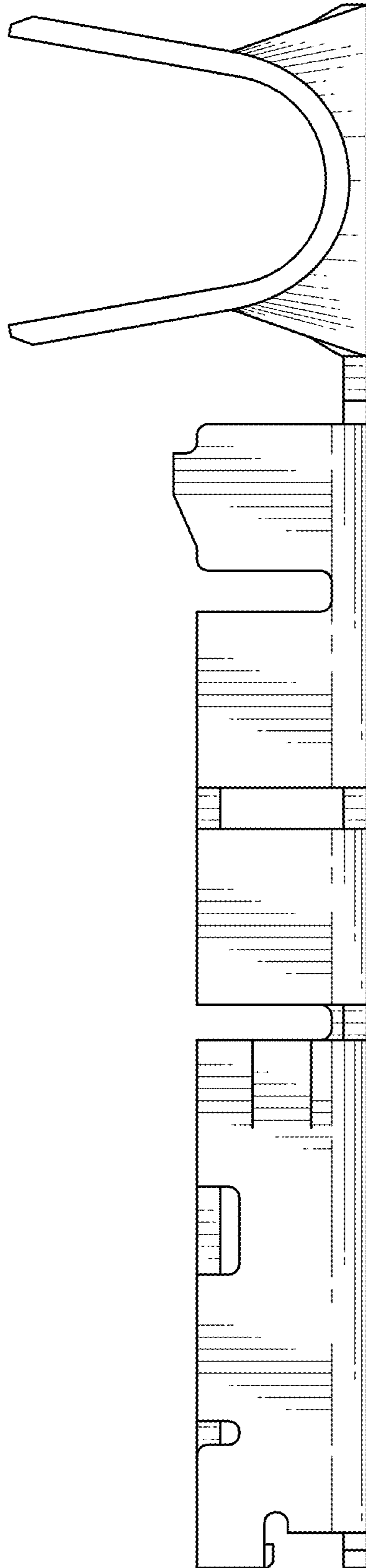


FIG. 3

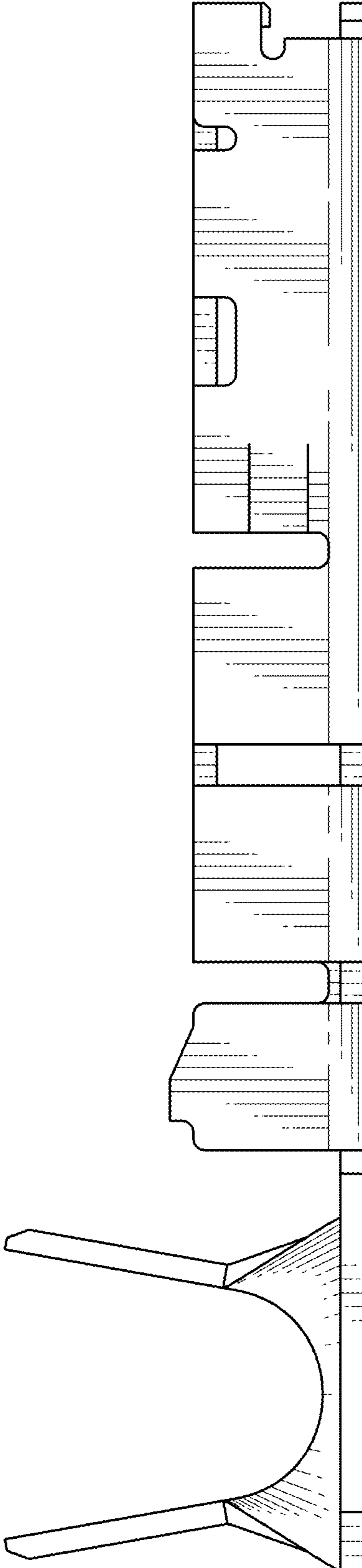


FIG. 4

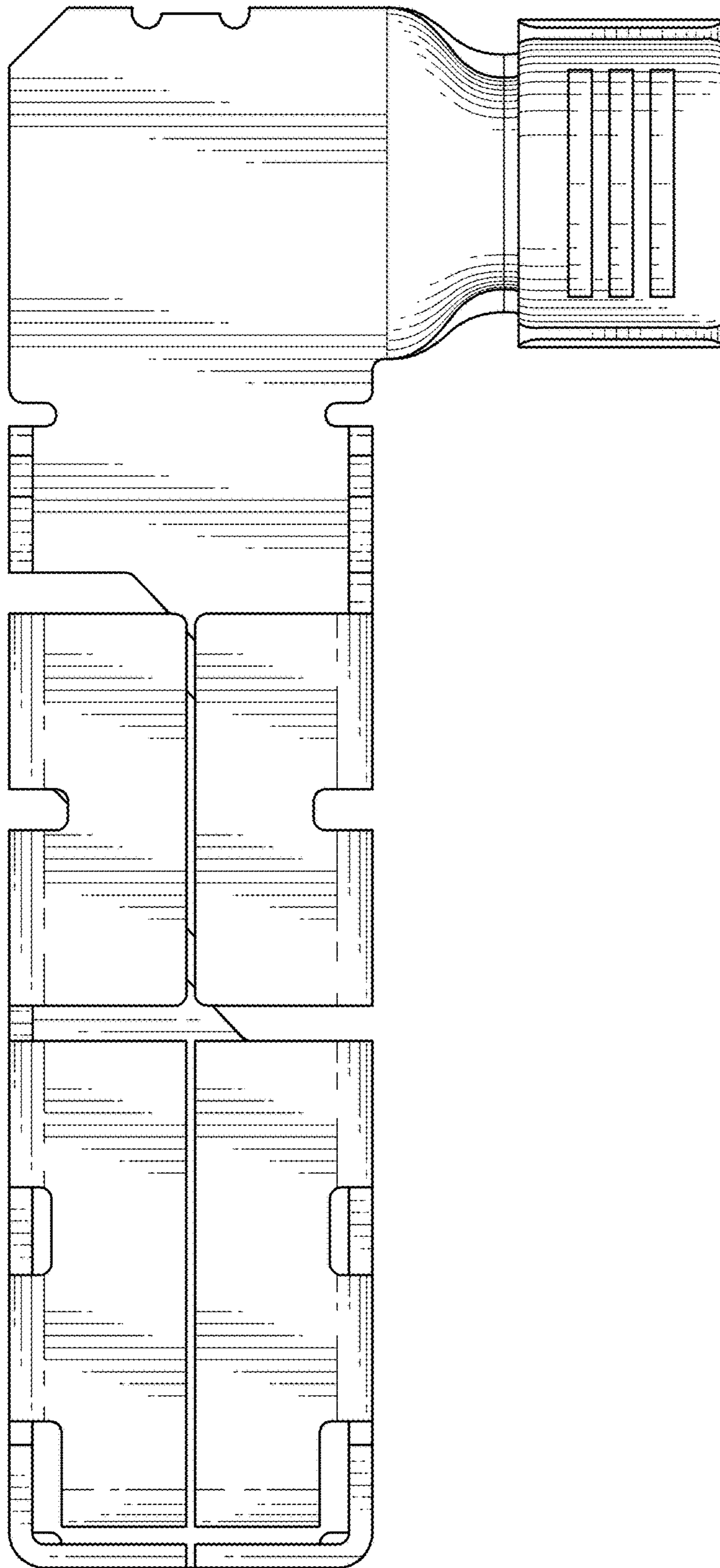


FIG. 5

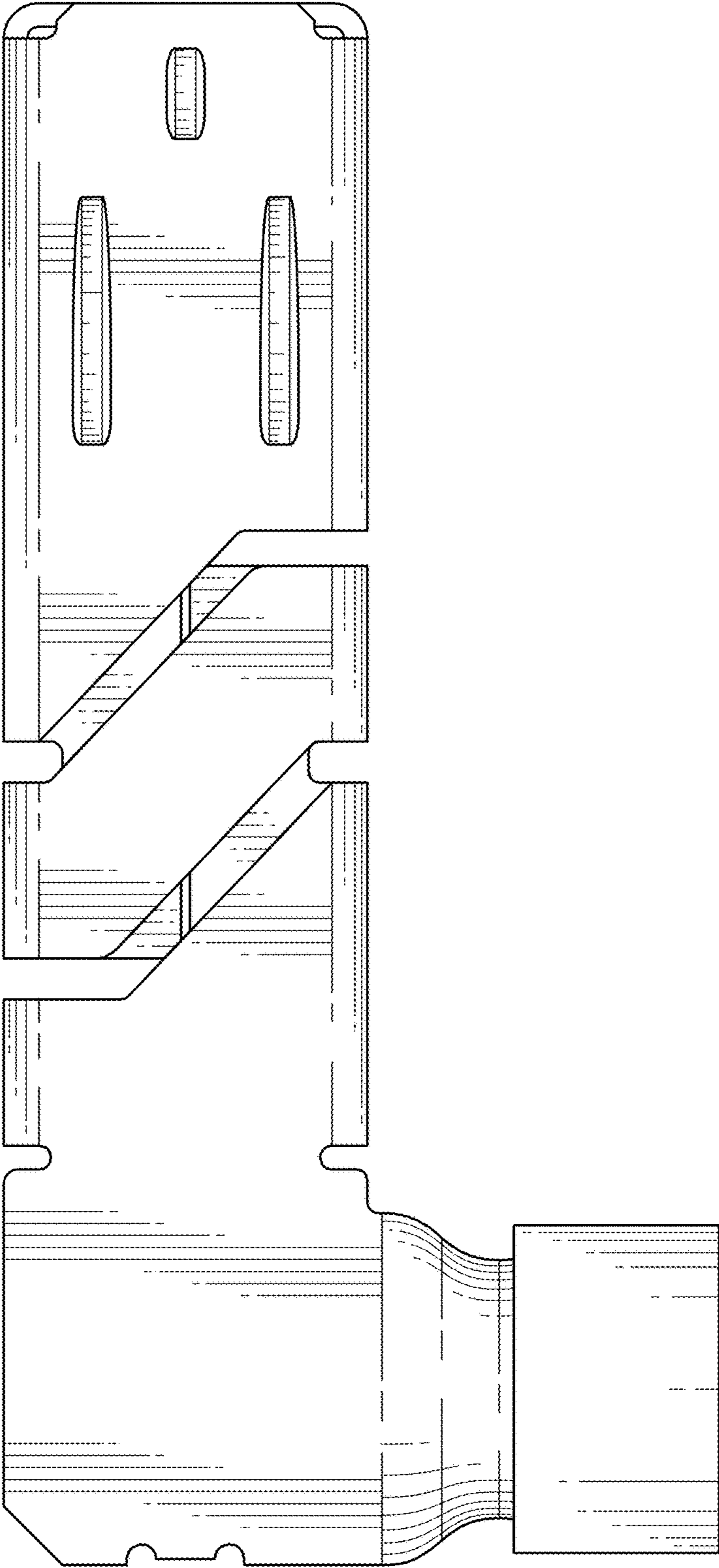


FIG. 6

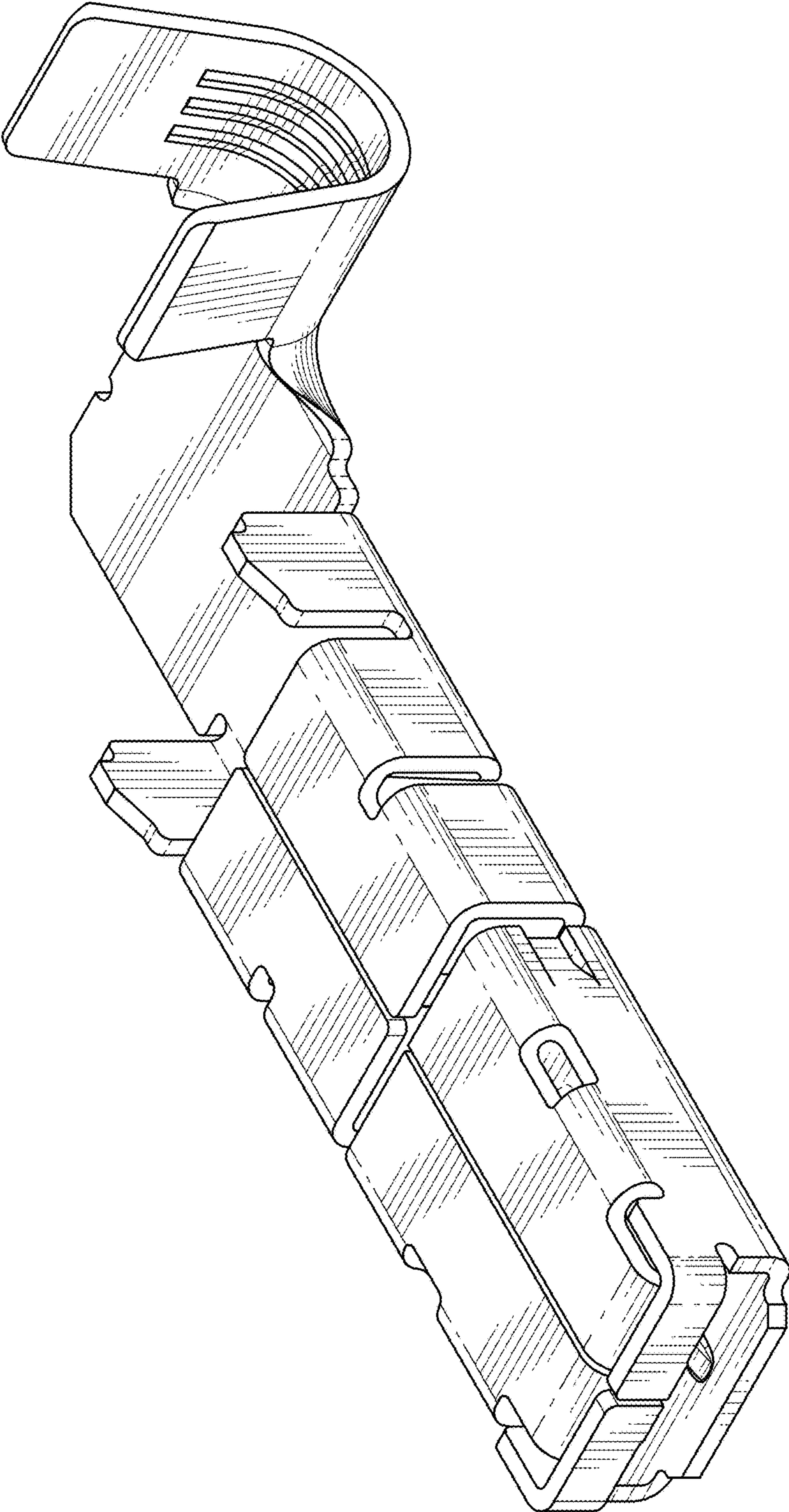


FIG. 7

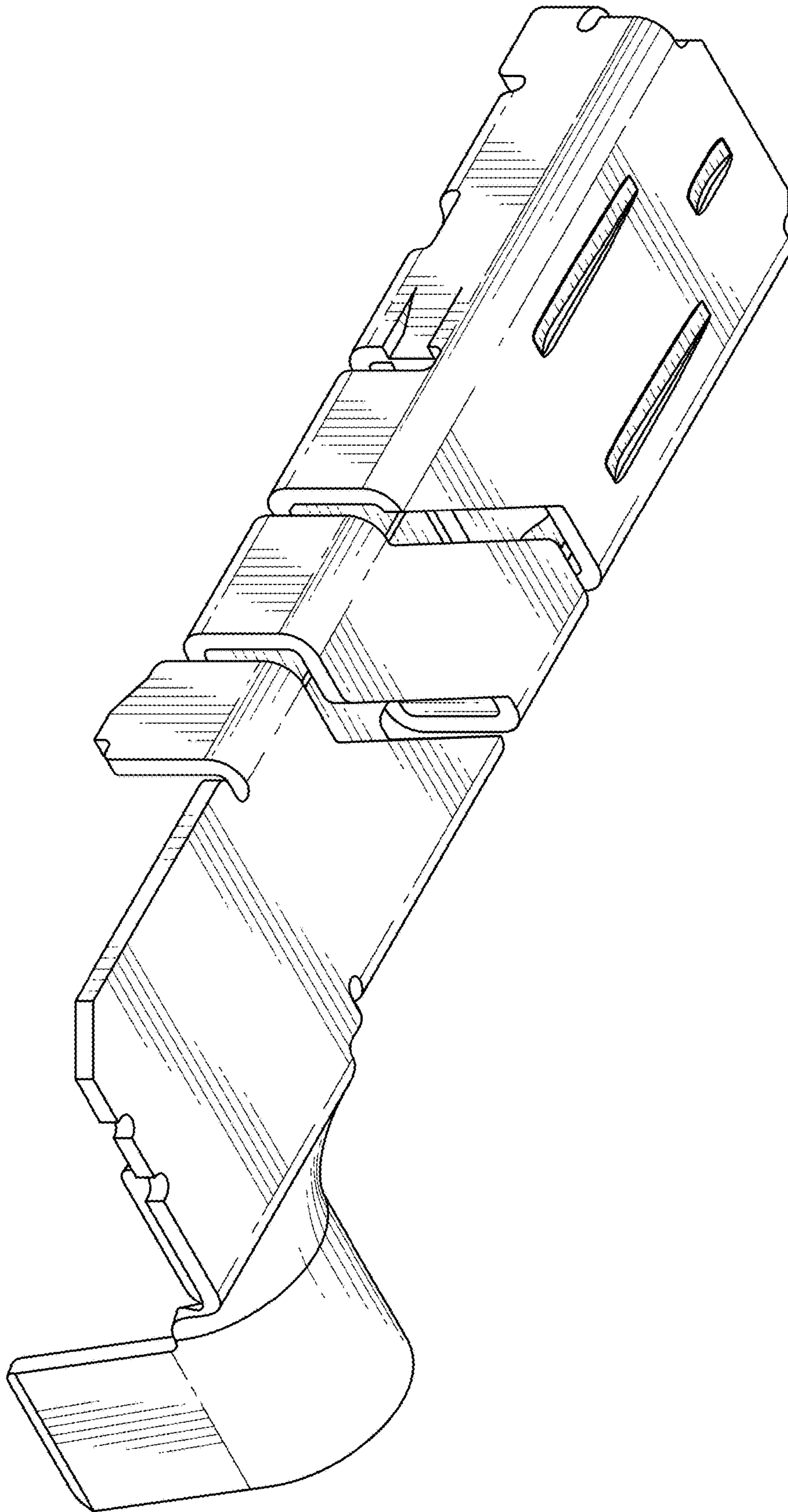


FIG. 8

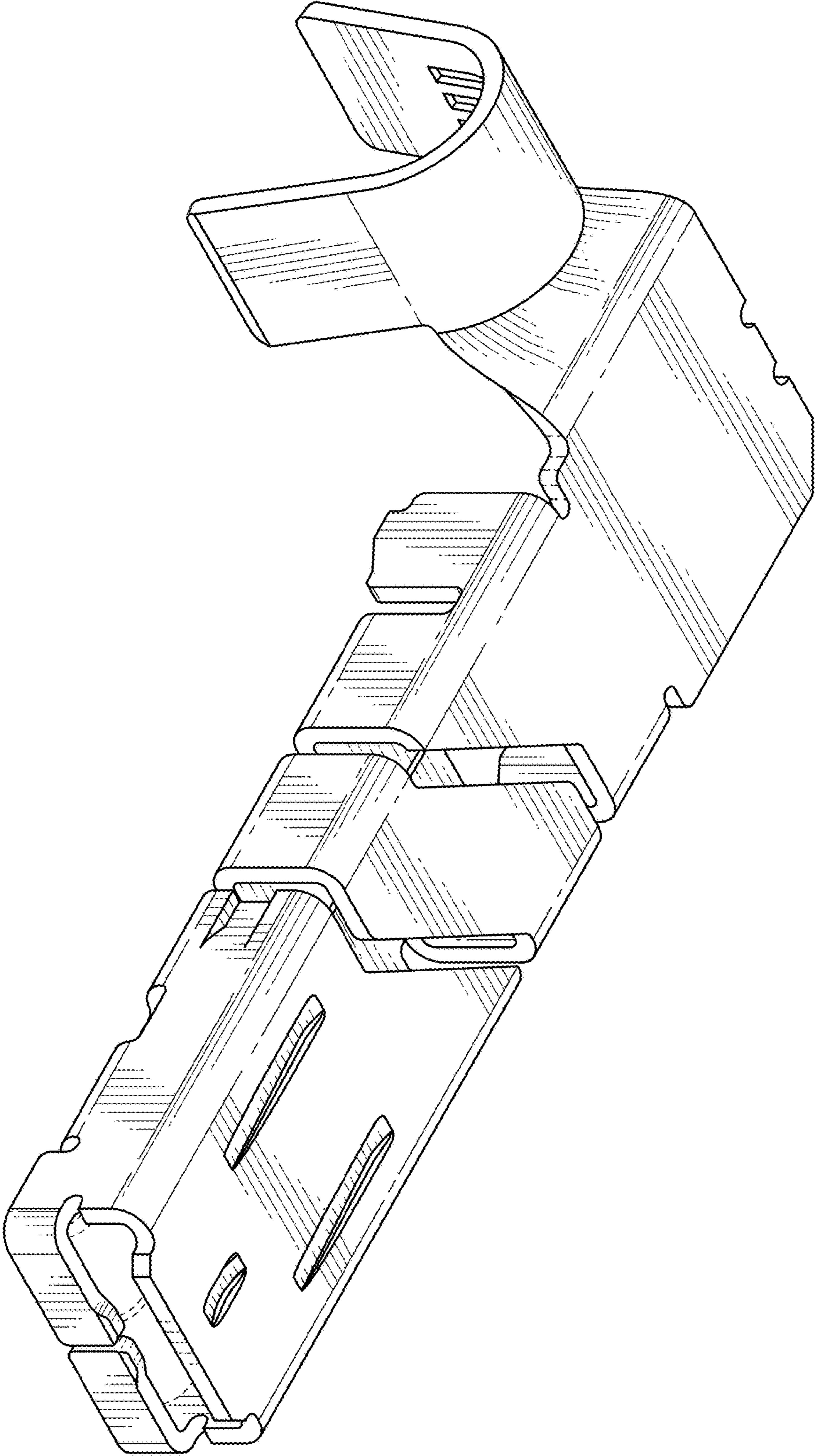


FIG. 9

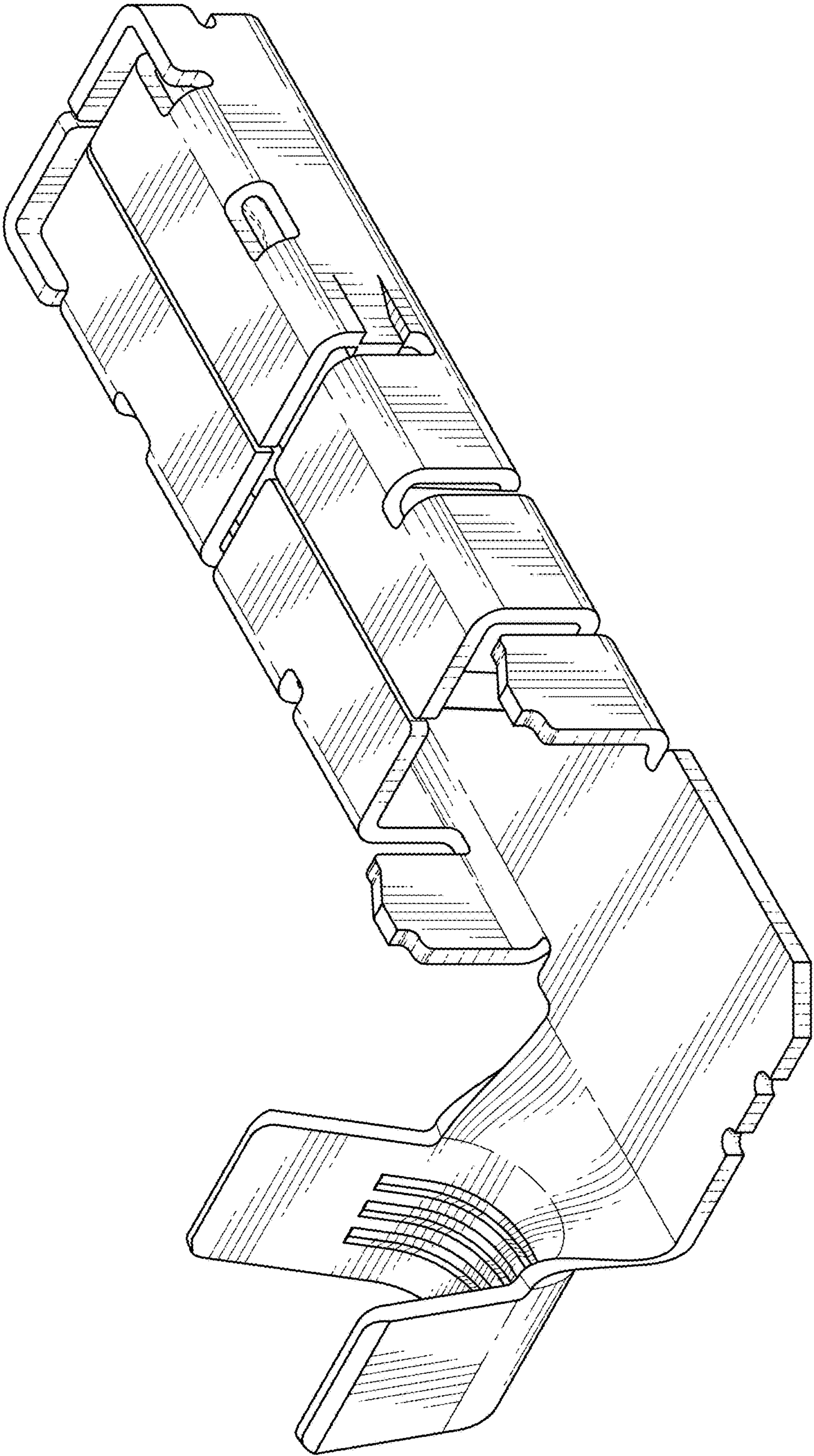


FIG. 10