



US00D813815S

(12) **United States Design Patent**
Osako

(10) **Patent No.:** **US D813,815 S**
(45) **Date of Patent:** **** Mar. 27, 2018**

(54) **STORAGE BATTERY**
(71) Applicant: **MITSUBISHI ELECTRIC CORPORATION**, Tokyo (JP)
(72) Inventor: **Yosuke Osako**, Tokyo (JP)
(73) Assignee: **MITSUBISHI ELECTRIC CORPORATION**, Tokyo (JP)
(**) Term: **15 Years**
(21) Appl. No.: **29/560,293**
(22) Filed: **Apr. 5, 2016**

4,752,543 A * 6/1988 Anderson H01M 2/043
429/122
5,663,008 A * 9/1997 Shimakawa H01M 2/0245
429/159
5,736,273 A * 4/1998 Lee H01M 2/105
429/1
6,413,122 B2 * 7/2002 Fujioka H01R 13/6453
361/796
6,669,497 B2 * 12/2003 Westphall H05K 7/1409
439/160
D635,508 S * 4/2011 Seyama D13/104
D659,088 S * 5/2012 Steinberg D13/106
D718,231 S * 11/2014 Burns D13/104
D742,307 S * 11/2015 DeKeuster D13/103

(Continued)

(30) **Foreign Application Priority Data**
Oct. 28, 2015 (JP) 2015-023933
(51) **LOC (11) Cl.** **13-02**
(52) **U.S. Cl.**
USPC **D13/119**
(58) **Field of Classification Search**
USPC D13/102-106, 110, 119-121, 184;
429/96-100, 163, 176
CPC Y02E 60/12; Y02E 60/122; Y02E 60/124;
Y02E 60/50; H01M 2/30; H01M 2/022;
H01M 2/202; H01M 2/206; H01M
2/0202; H01M 2/0207; H01M 2/0212;
H01M 2/1061; H01M 2/1022; H01M
2/1055; H01M 2/1066; H01M 2/1077;
H01M 2/105; H01M 2/2042; H01M
10/04257; H01M 10/0436; H01M 10/48
See application file for complete search history.

Primary Examiner — Derrick E Holland
Assistant Examiner — Jennifer O King
(74) *Attorney, Agent, or Firm* — Stuebaker & Brackett
PC

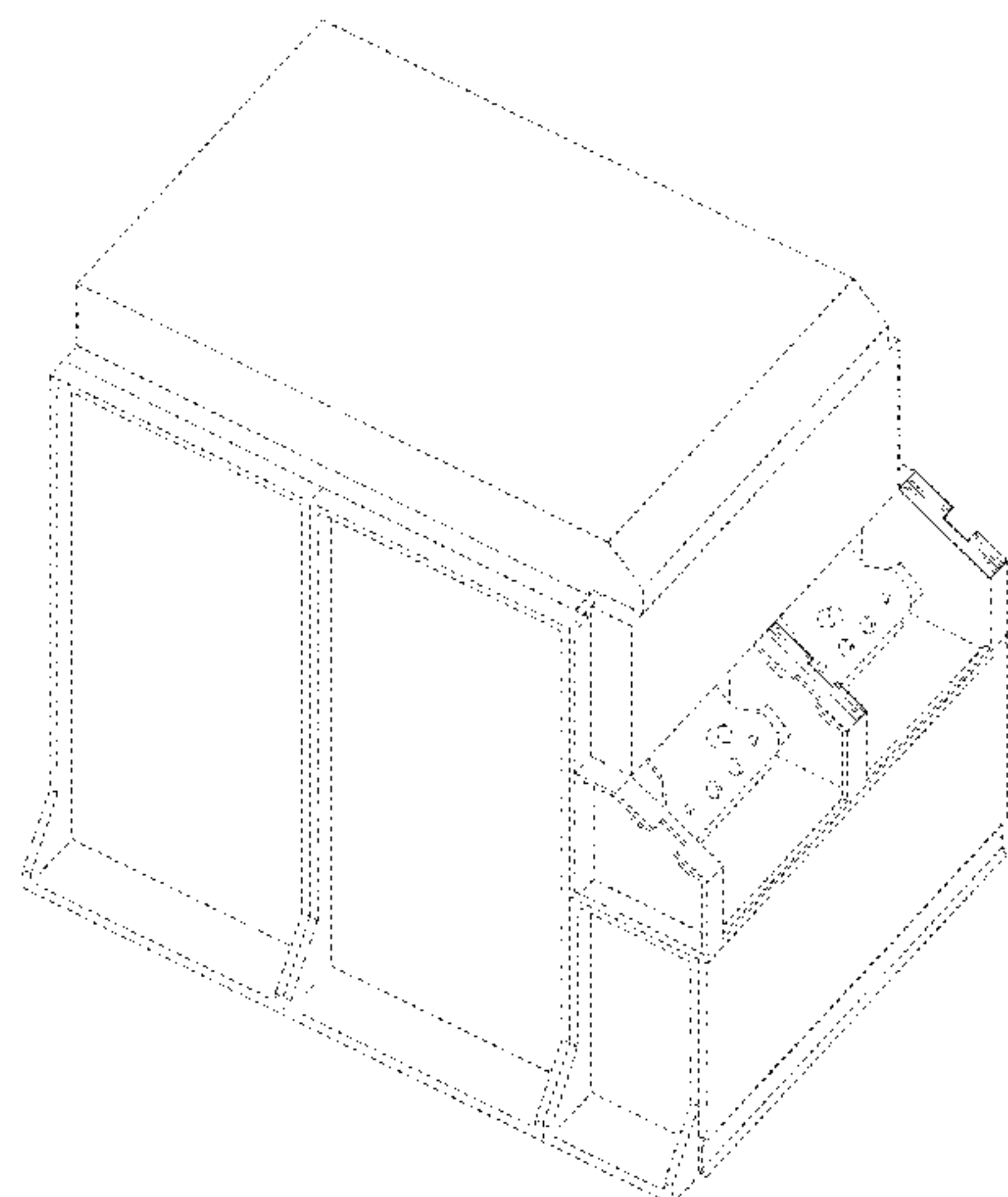
(56) **References Cited**
U.S. PATENT DOCUMENTS
2,278,327 A * 3/1942 Magnus A63H 33/108
446/112
4,547,835 A * 10/1985 Pansaerts E05B 65/46
361/759
D283,084 S * 3/1986 Bannigan D13/139.8

(57) **CLAIM**
The ornamental design for a storage battery, as shown and described.

DESCRIPTION

FIG. 1 is a perspective view of the front, left and top sides of a storage battery showing our new design;
FIG. 2 is a front view thereof;
FIG. 3 is a rear view thereof;
FIG. 4 is a left side view thereof;
FIG. 5 is a right side view thereof;
FIG. 6 is a top view thereof;
FIG. 7 is a bottom view thereof; and,
FIG. 8 is a reference view of usage thereof.
The broken lines shown represent portions of the storage battery that form no part of the claim. Where the dot-dash broken lines abut the shaded surface it is understood that those broken lines represent an unclaimed boundary between claimed and unclaimed surfaces. None of the broken lines form any part of the claimed design.

1 Claim, 8 Drawing Sheets



(56)

References Cited

U.S. PATENT DOCUMENTS

9,406,920 B2 * 8/2016 Furuya H01M 2/202
9,419,263 B2 * 8/2016 Nakamori H01M 2/1077
D772,816 S * 11/2016 DeKeuster D13/119
D777,666 S * 1/2017 Krivonak D13/110
D778,853 S * 2/2017 Skowranek D13/184
D784,260 S * 4/2017 Rowe D13/119
D785,567 S * 5/2017 Abena D13/119
9,641,002 B2 * 5/2017 Lavender H02J 1/10
9,722,286 B2 * 8/2017 Smith H01M 10/613
9,799,872 B2 * 10/2017 Kim H01M 2/206

* cited by examiner

Fig. 1

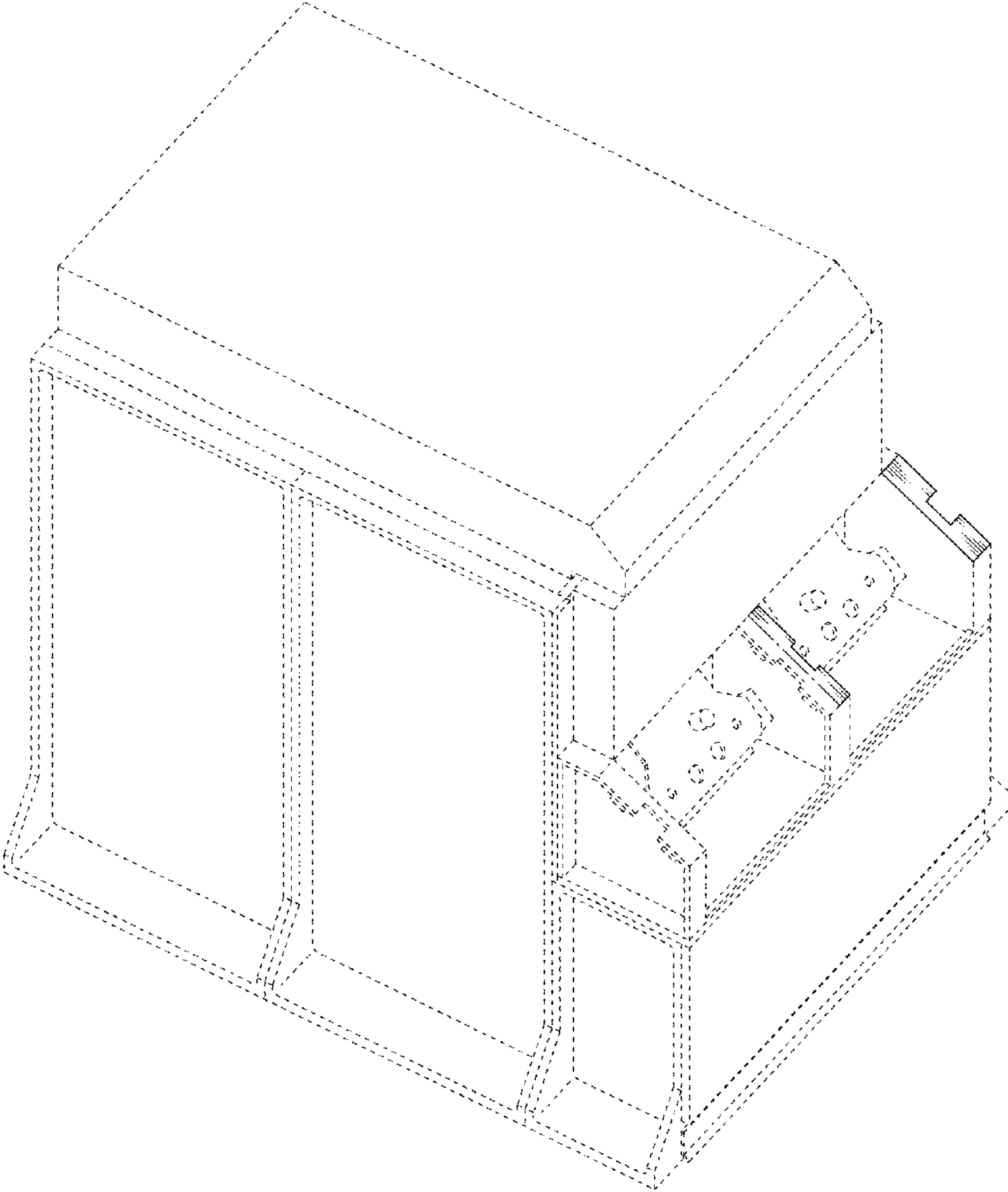


Fig. 2

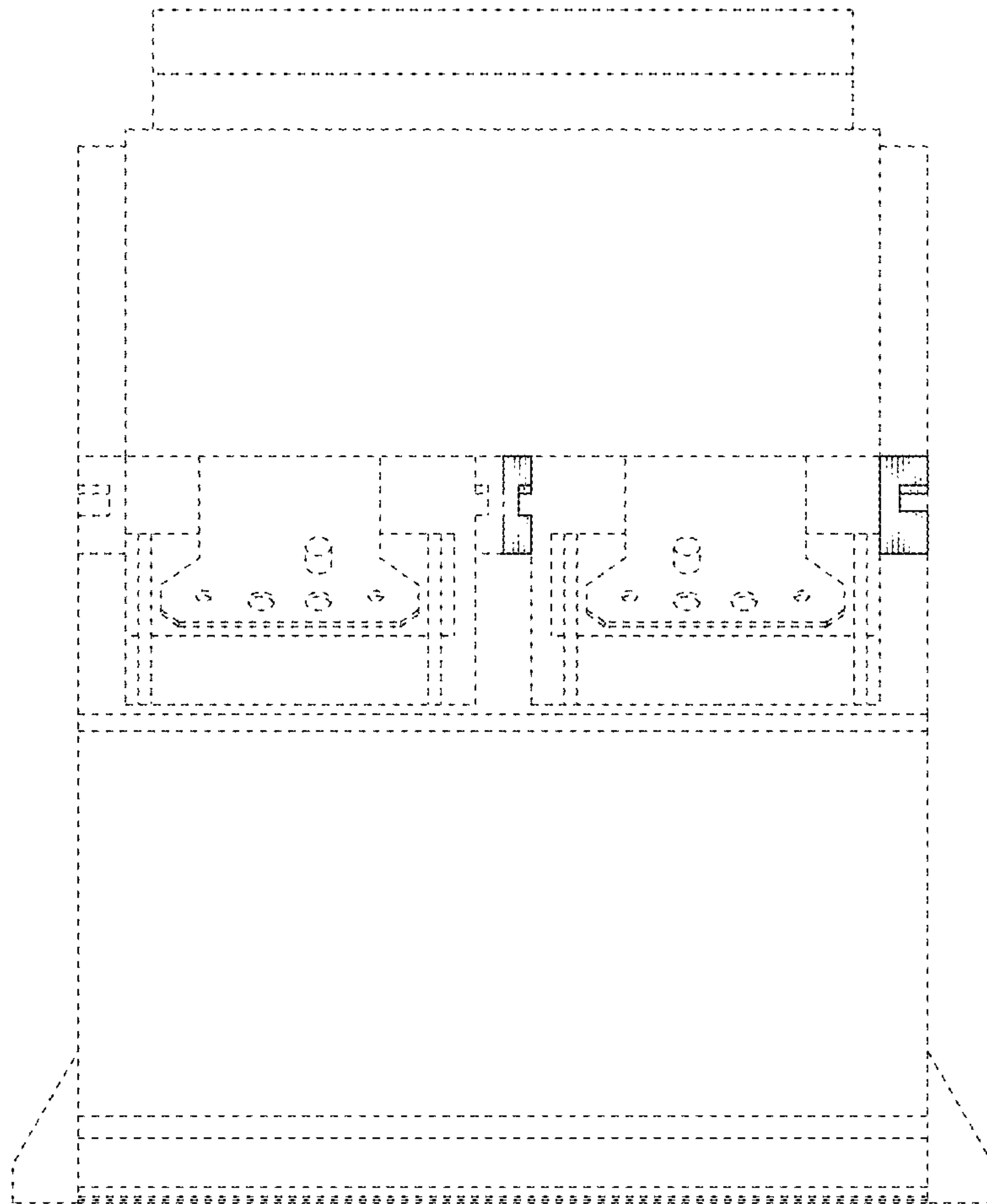


Fig. 3

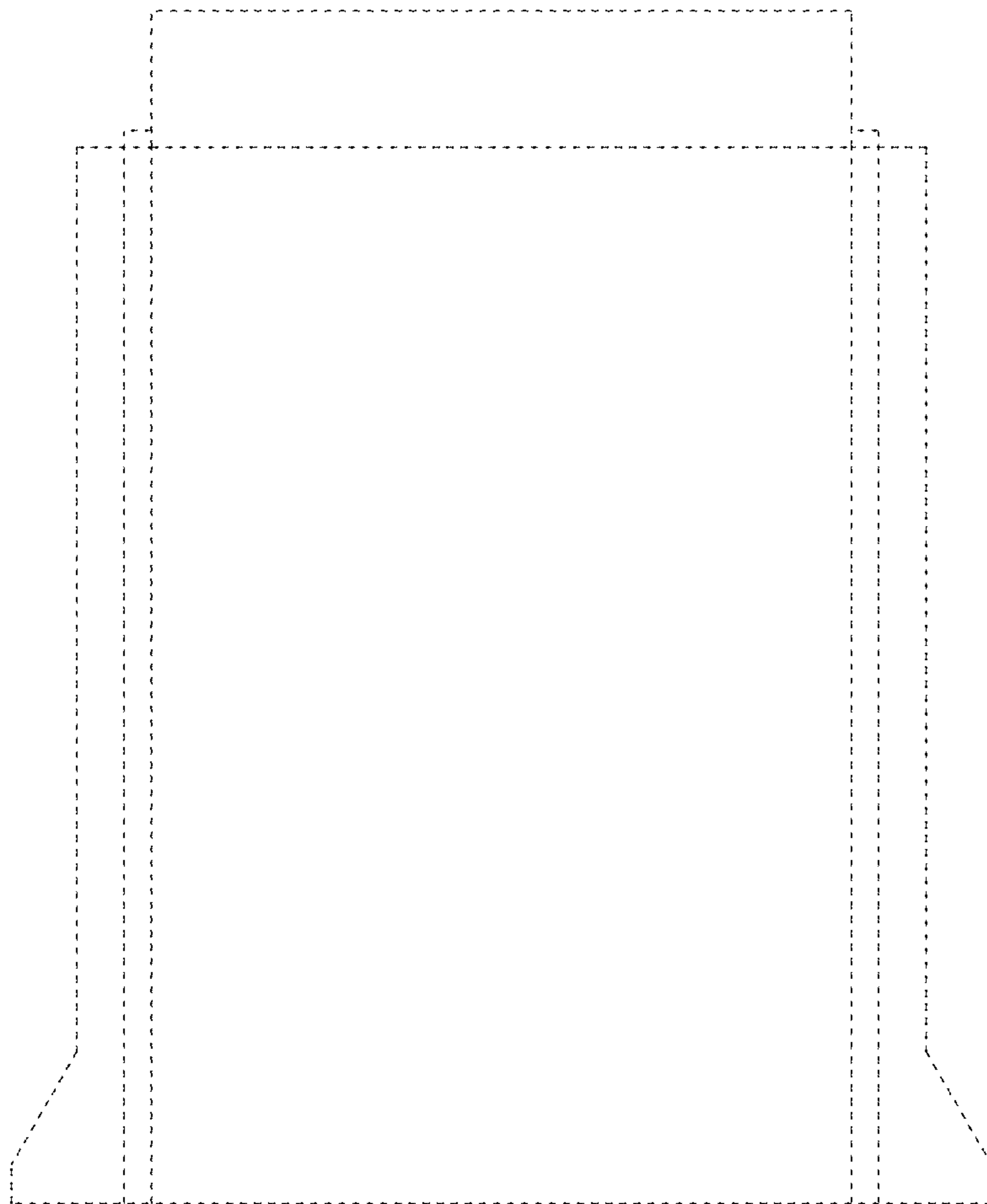


Fig. 4

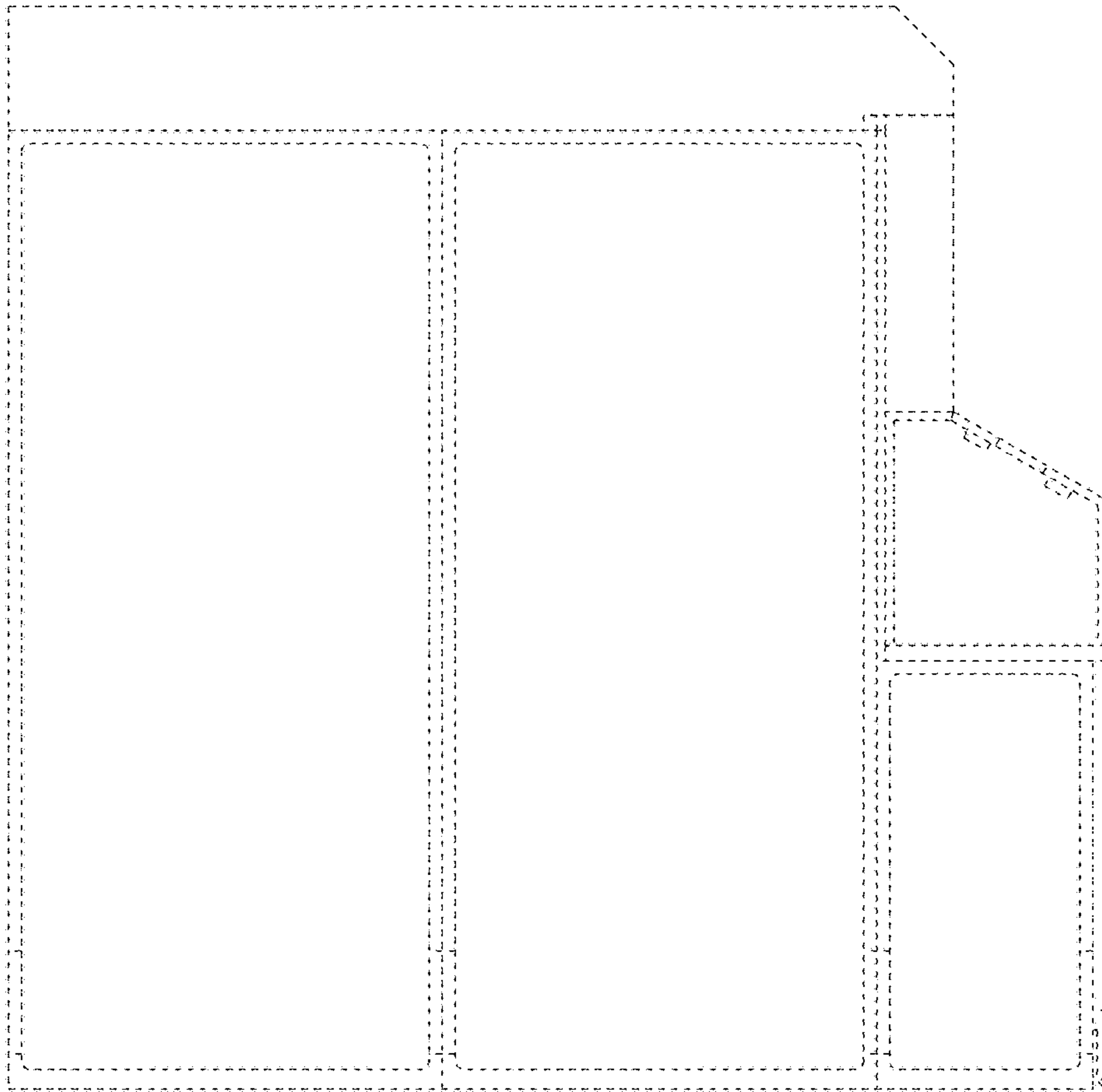


Fig. 5

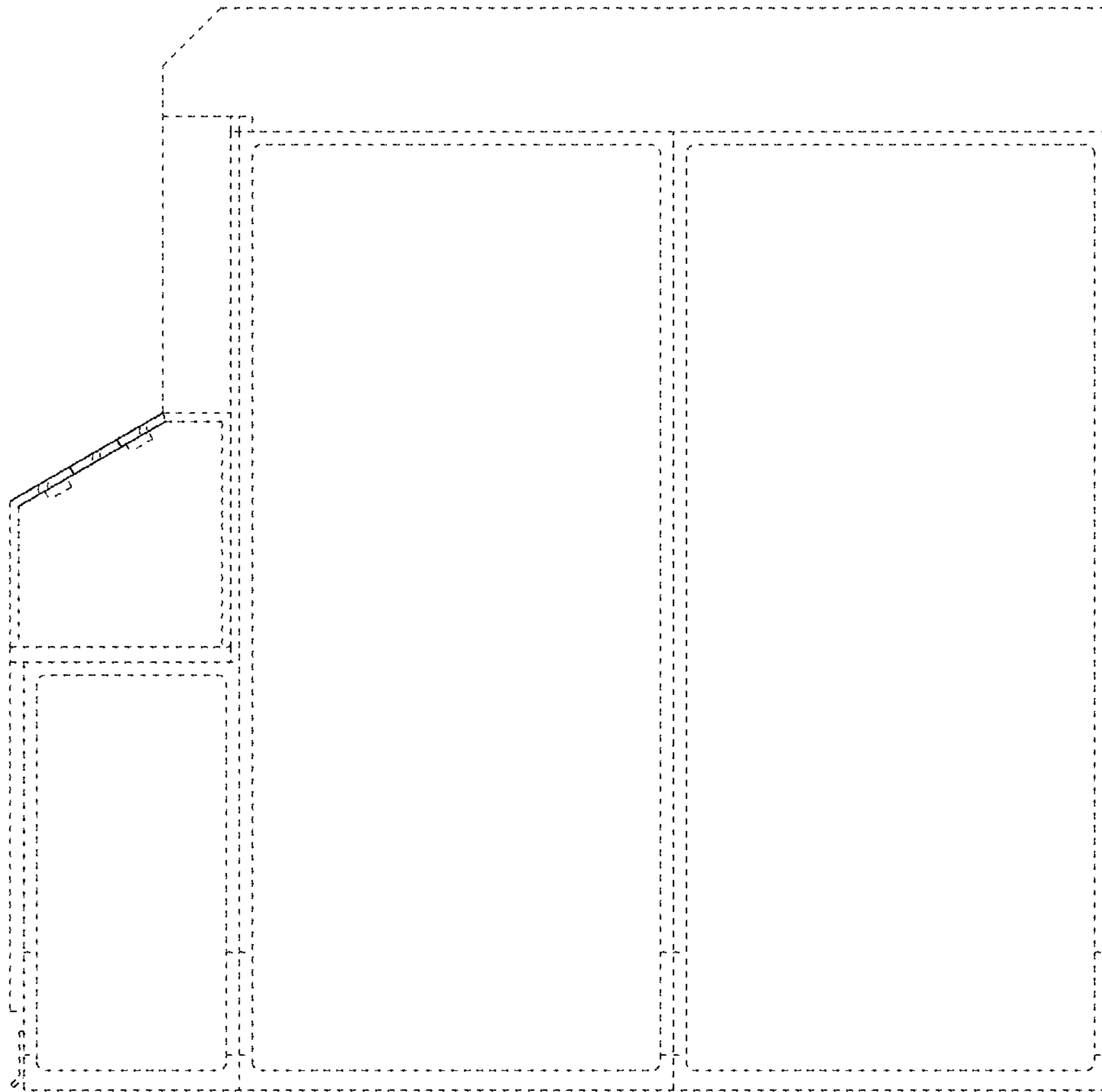


Fig. 6

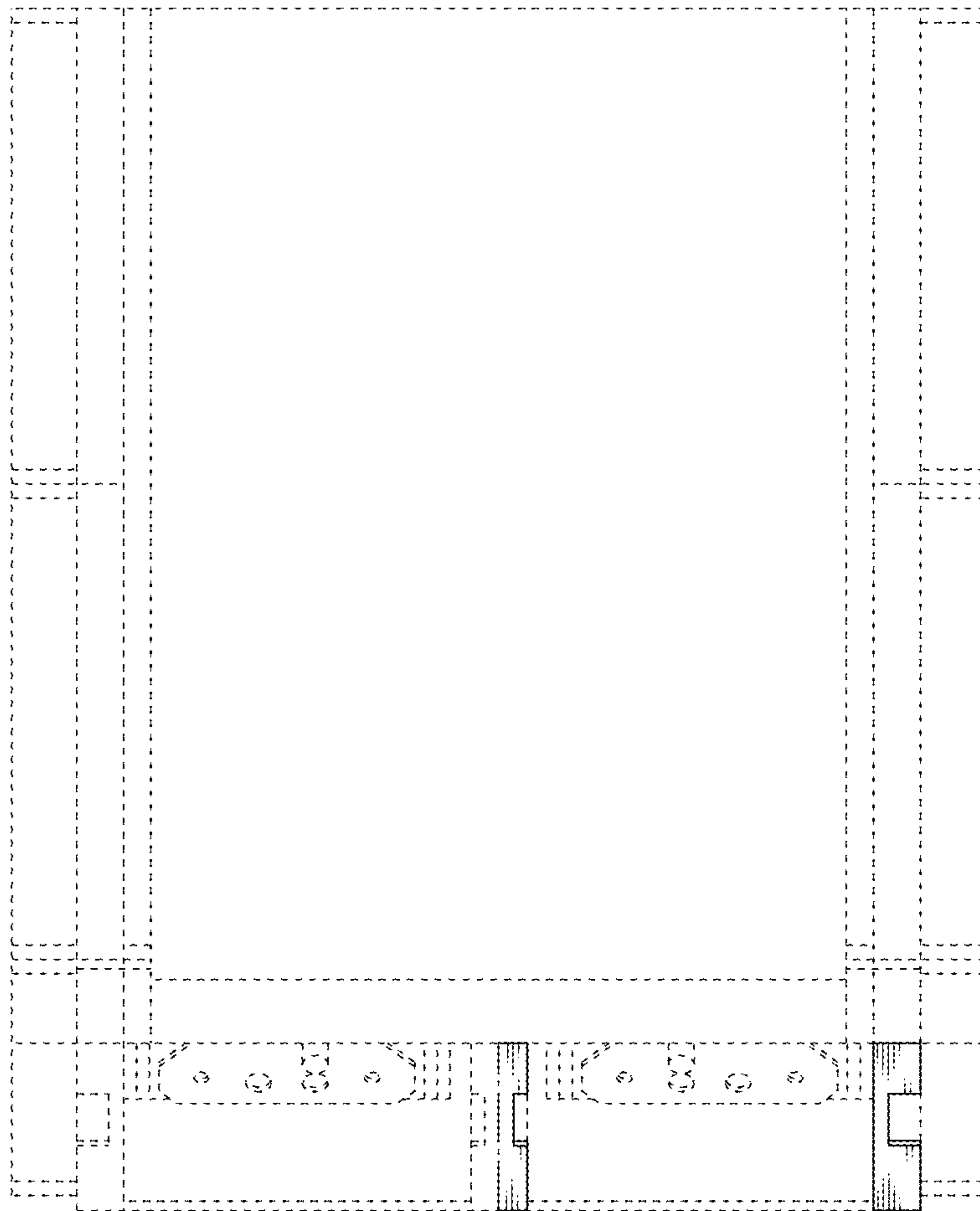


Fig. 7

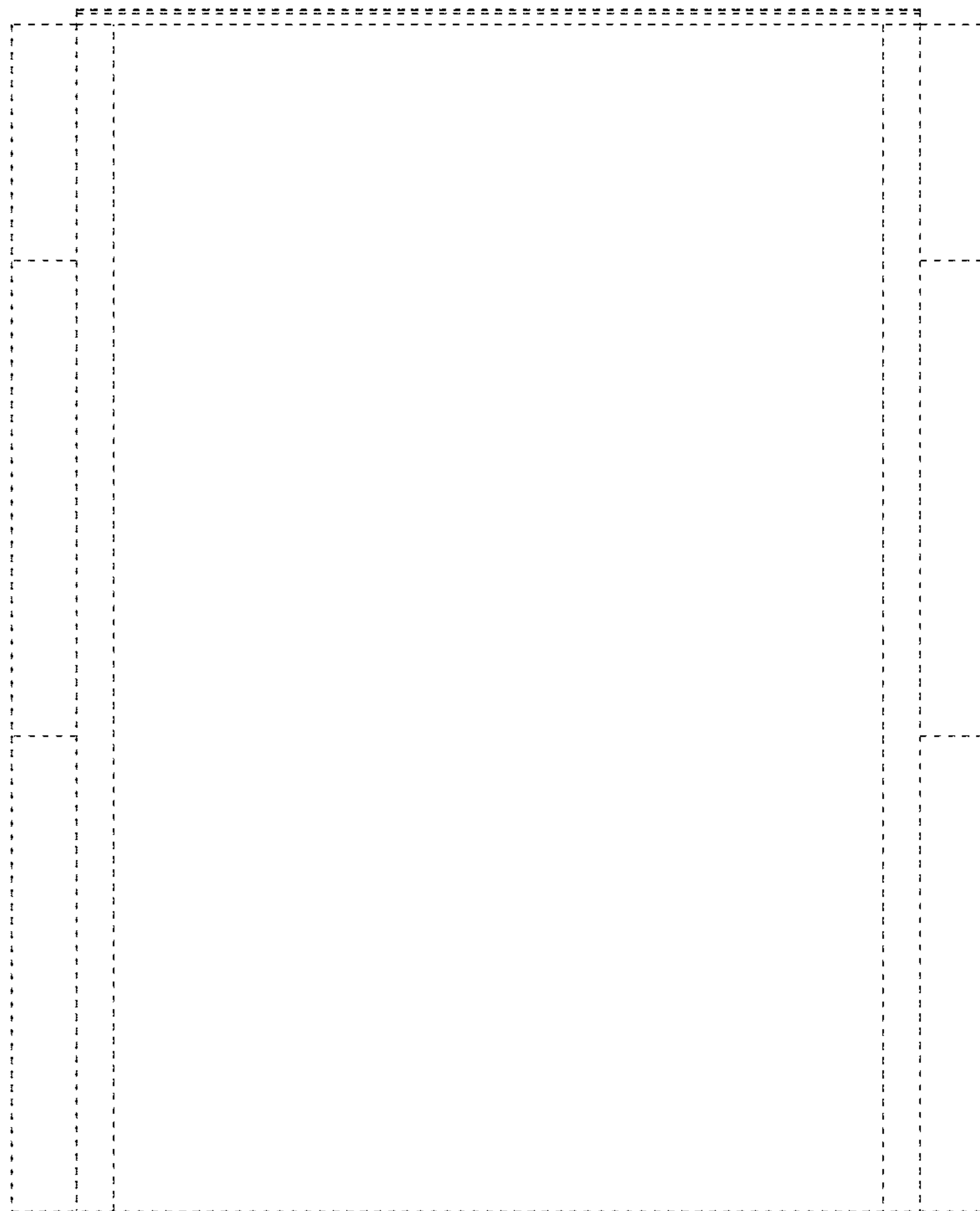


Fig. 8

