



US00D813814S

(12) **United States Design Patent**
Osako

(10) **Patent No.:** **US D813,814 S**
(45) **Date of Patent:** **** Mar. 27, 2018**

- (54) **STORAGE BATTERY**
- (71) Applicant: **mitsubishi electric CORPORATION**, Tokyo (JP)
- (72) Inventor: **Yosuke Osako**, Tokyo (JP)
- (73) Assignee: **Mitsubishi Electric Corporation**, Tokyo (JP)
- (**) Term: **15 Years**
- (21) Appl. No.: **29/560,289**
- (22) Filed: **Apr. 5, 2016**

(30) **Foreign Application Priority Data**

Oct. 28, 2015 (JP) 2015-023932

- (51) **LOC (11) Cl.** **13-02**
- (52) **U.S. Cl.**
USPC **D13/119**

(58) **Field of Classification Search**

USPC D13/102-106, 110, 119-121, 184;
429/96-100, 163, 176
CPC Y02E 60/12; Y02E 60/122; Y02E 60/124;
Y02E 60/50; H01M 2/022; H01M 2/202;
H01M 2/0202; H01M 2/0207; H01M
2/0212; H01M 2/1061; H01M 2/1022;
H01M 2/1055; H01M 2/1066; H01M
2/105; H01M 2/204; H01M 2/30; H01M
10/04257; H01M 10/0436; H01M 10/48
See application file for complete search history.

(56) **References Cited**

U.S. PATENT DOCUMENTS

- D223,668 S * 5/1972 Ulrich D13/120
- D283,084 S * 3/1986 Bannigan D13/139.8
- 4,752,543 A * 6/1988 Anderson H01M 2/043
429/122
- 5,663,008 A * 9/1997 Shimakawa H01M 2/0245
429/159

- D522,965 S * 6/2006 Nakamaru D13/119
- D635,508 S * 4/2011 Seyama D13/104
- D636,727 S * 4/2011 Sakae D13/121
- D659,088 S * 5/2012 Steinberg D13/106
- D718,231 S * 11/2014 Burns D13/104
- D742,307 S * 11/2015 DeKeuster D13/103
- 9,419,263 B2 * 8/2016 Nakamori H01M 2/1077
- D772,816 S * 11/2016 DeKeuster D13/119
- D777,666 S * 1/2017 Krivonak D13/110
- D778,853 S * 2/2017 Skowranek D13/184
- D784,260 S * 4/2017 Rowe D13/119

(Continued)

Primary Examiner — Derrick E Holland

Assistant Examiner — Jennifer O King

(74) *Attorney, Agent, or Firm* — Studebaker & Brackett
PC

(57) **CLAIM**

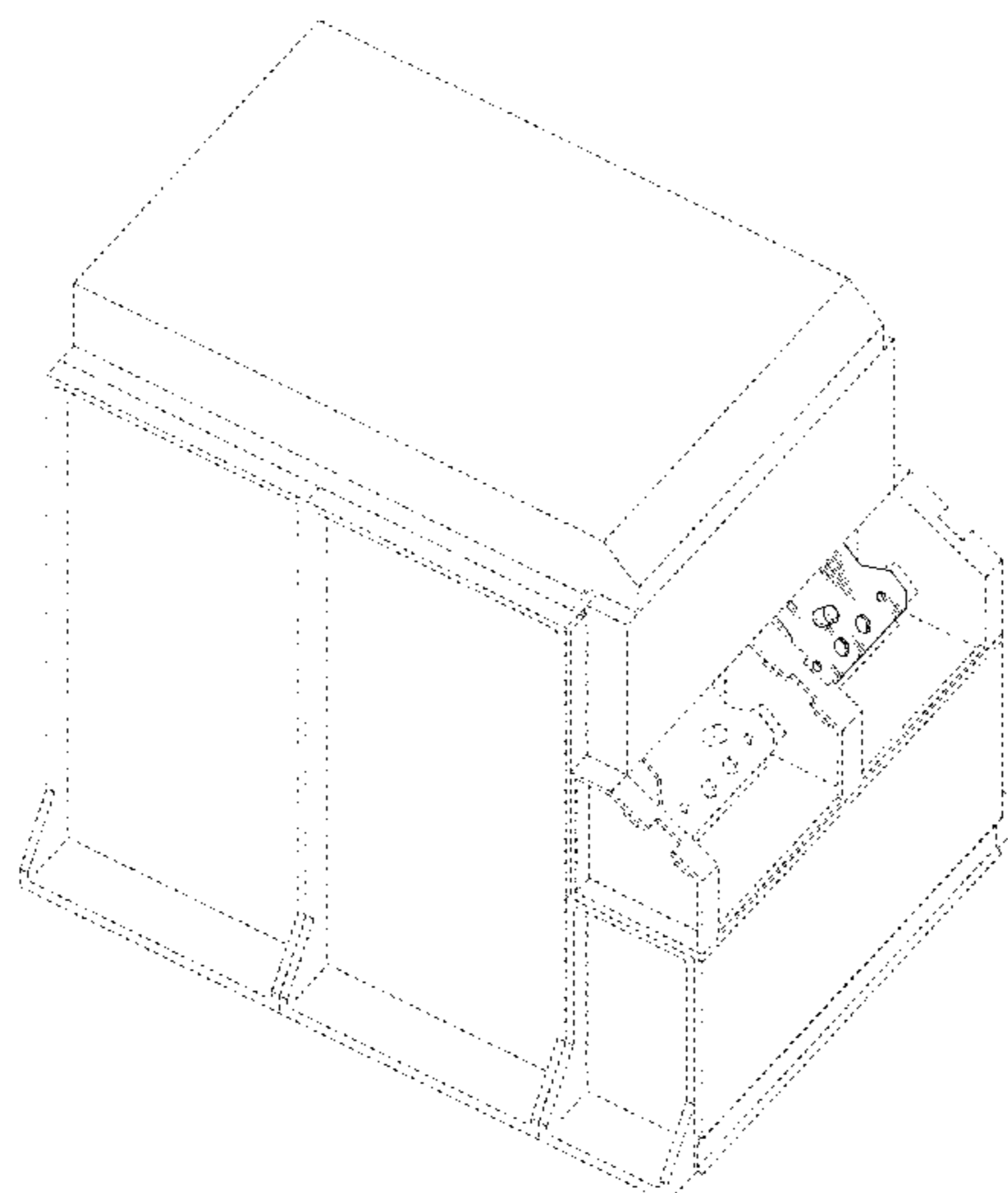
The ornamental design for a storage battery, as shown and described.

DESCRIPTION

FIG. 1 is a perspective view of the front, left and top sides of a storage battery showing our new design;
FIG. 2 is a front view thereof;
FIG. 3 is a rear view thereof;
FIG. 4 is a right side view, a left side view being a mirror image thereof;
FIG. 5 is a top view thereof;
FIG. 6 is a bottom view thereof;
FIG. 7 is a sectional view thereof, taken at line 7-7 in FIG. 2; and,
FIG. 8 is a reference view of usage thereof.

The broken lines shown represent portions of the storage battery that form no part of the claim. Where the dot-dash broken lines abut the shaded surface it is understood that those broken lines represent an unclaimed boundary between claimed and unclaimed surfaces. None of the broken lines form any part of the claimed design.

1 Claim, 8 Drawing Sheets



(56)

References Cited

U.S. PATENT DOCUMENTS

D785,567 S * 5/2017 Abena D13/119
D788,703 S * 6/2017 Krysinski D13/120

* cited by examiner

Fig. 1

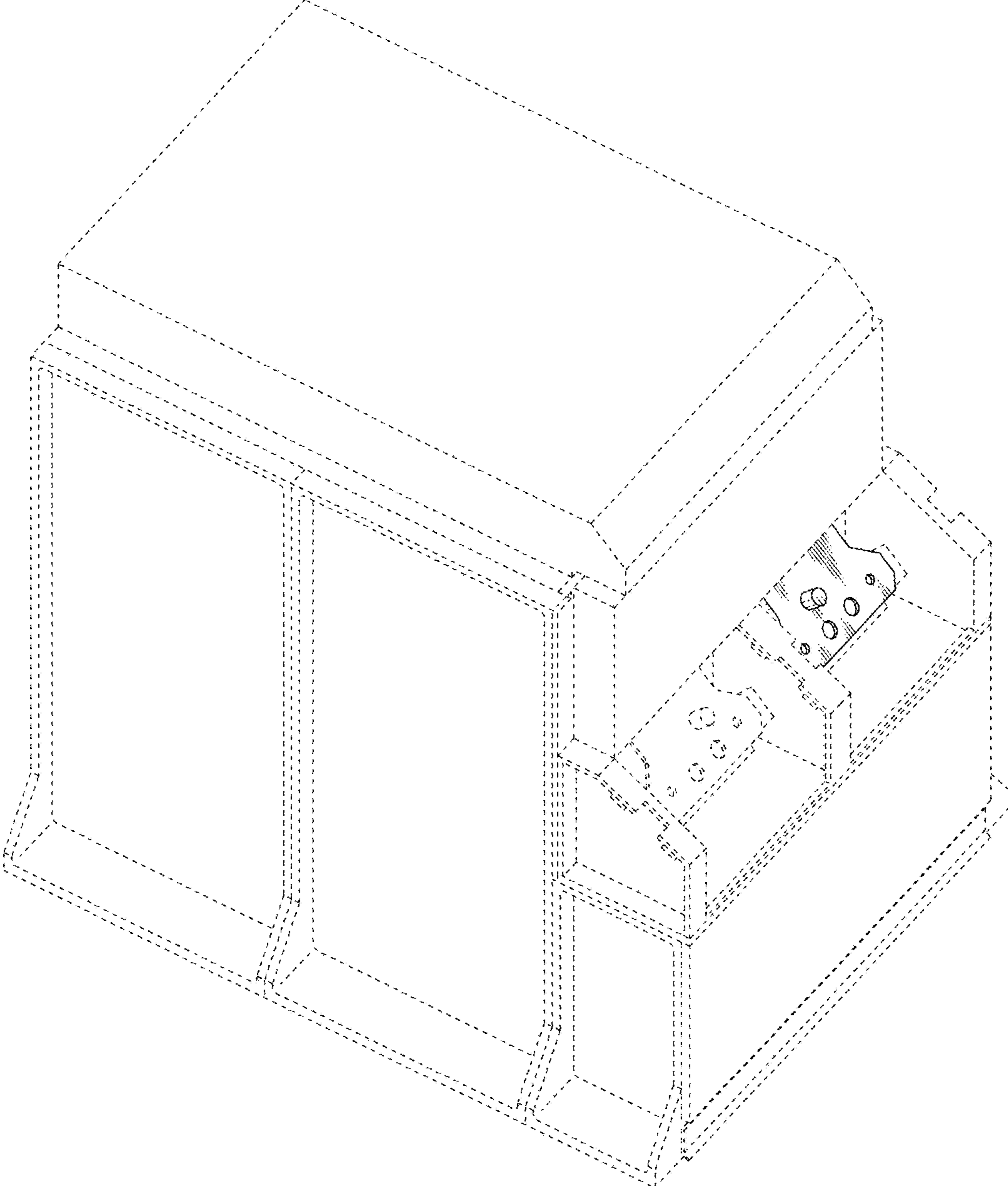


Fig. 2

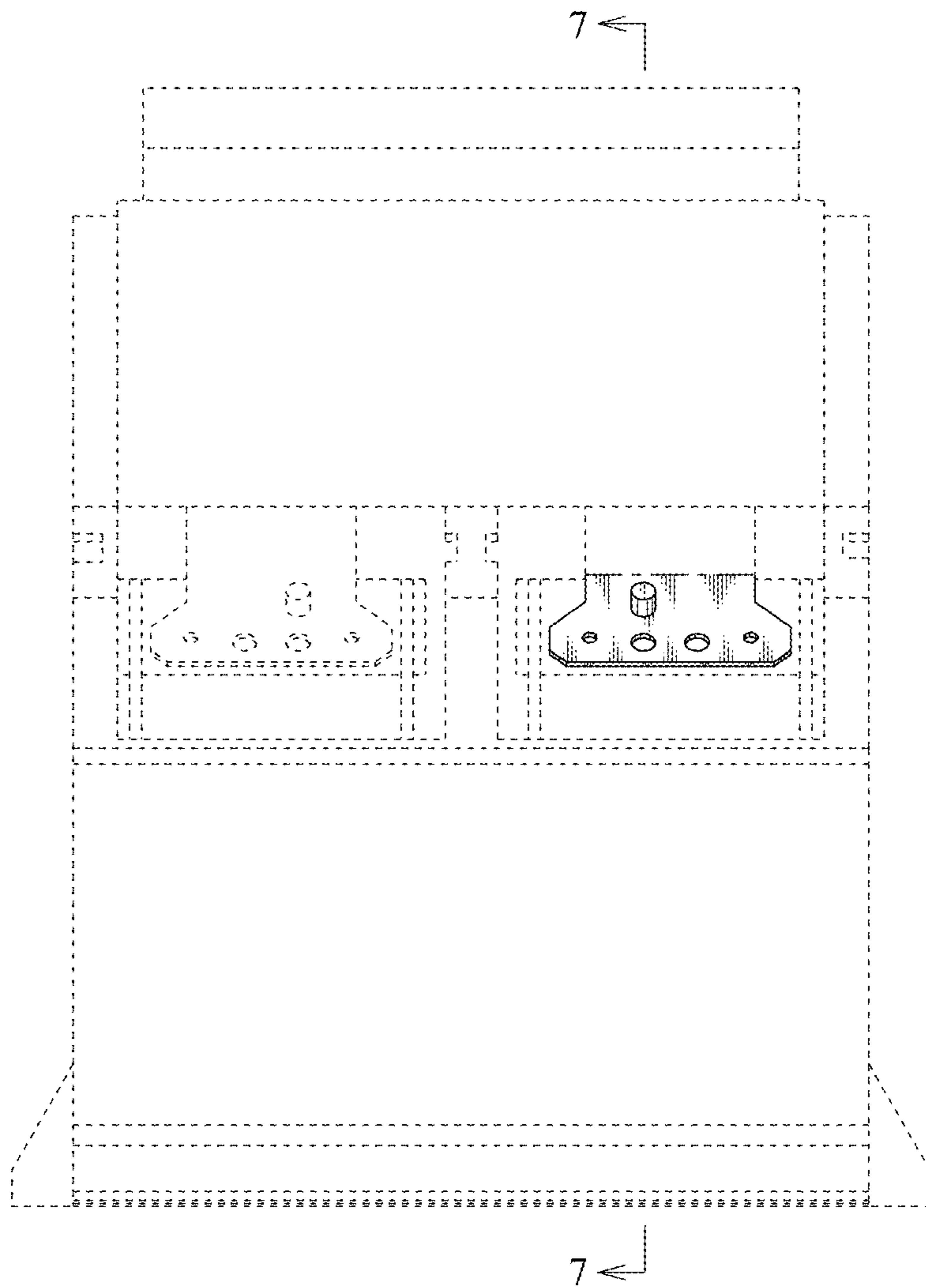


Fig. 3

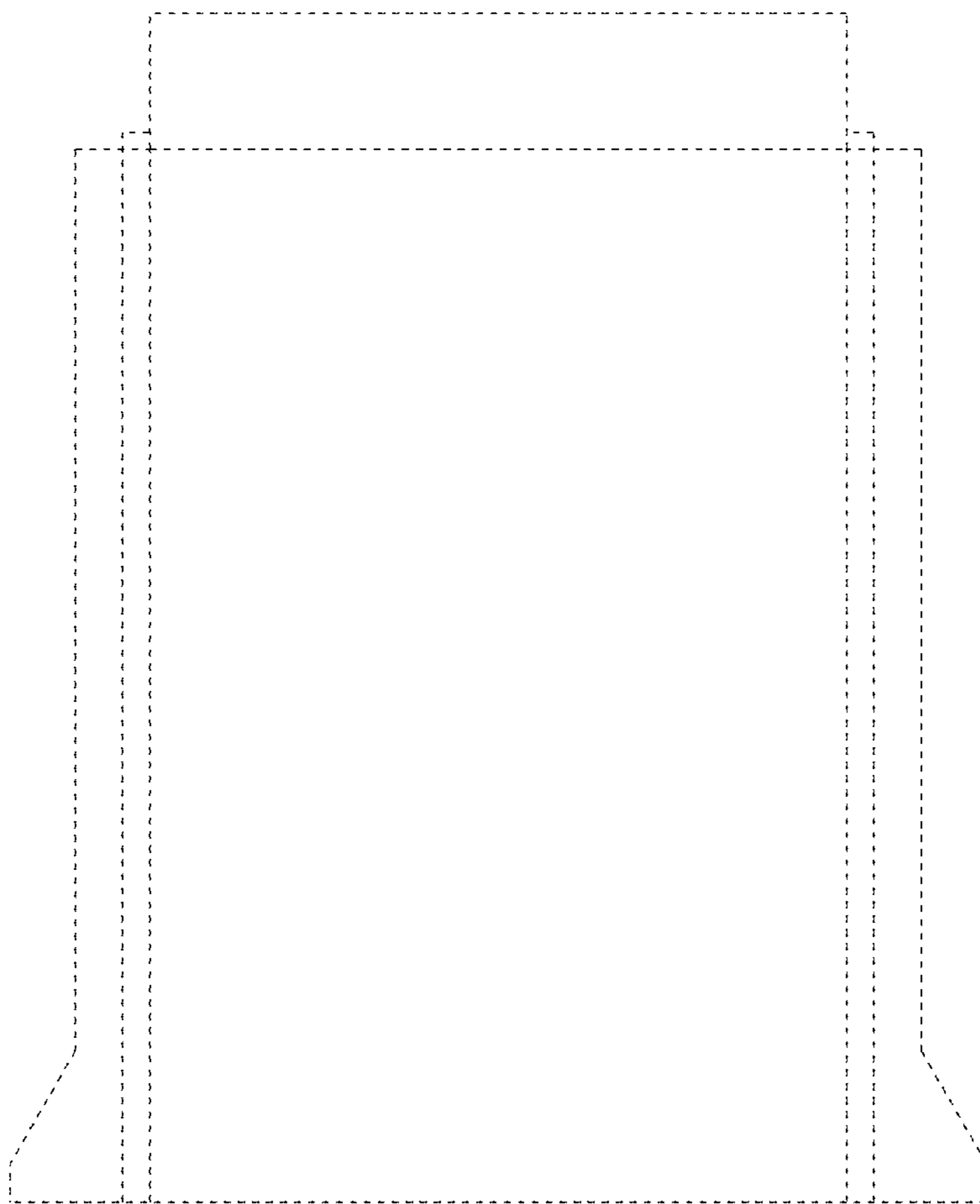


Fig. 4

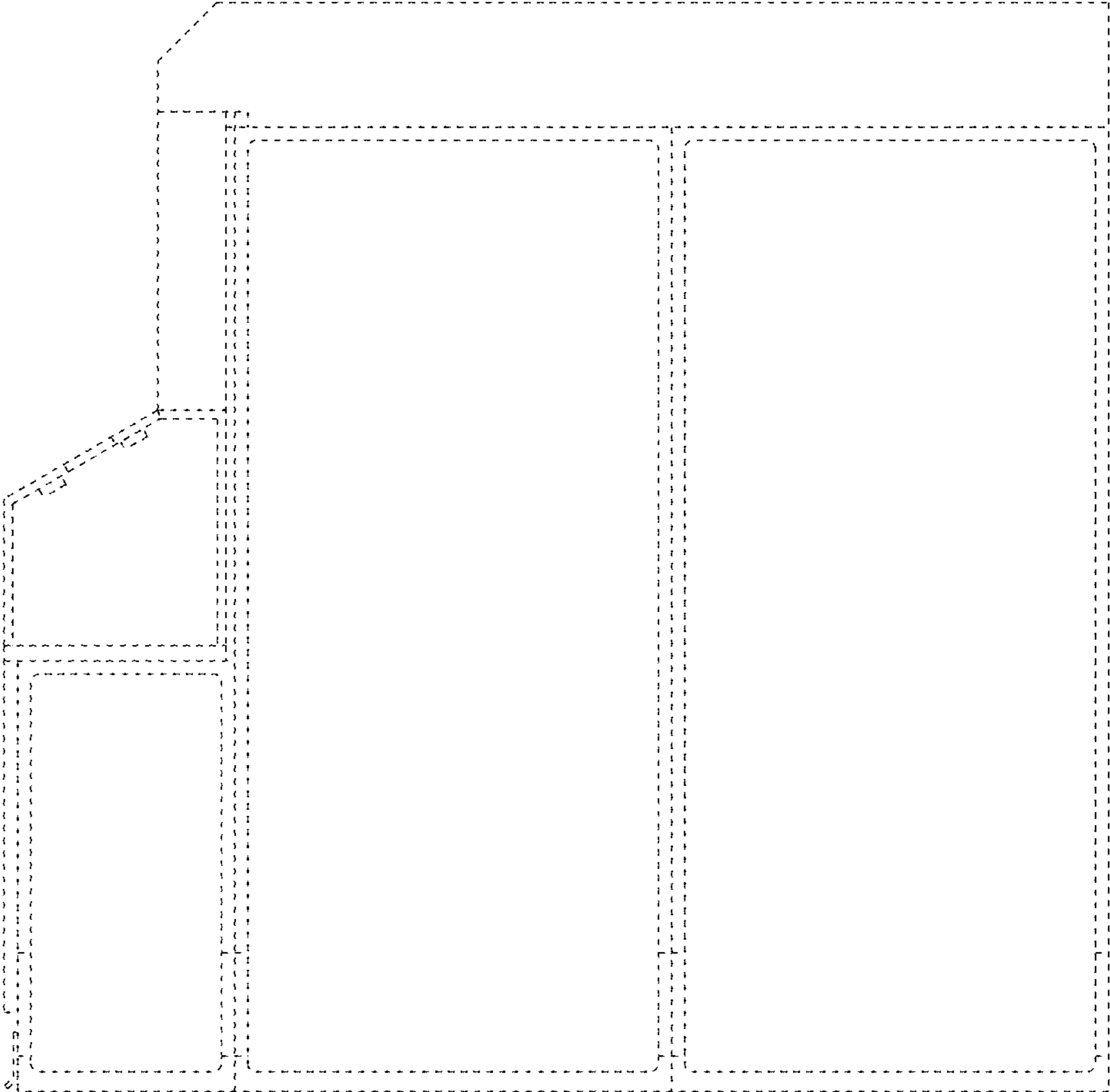


Fig. 5

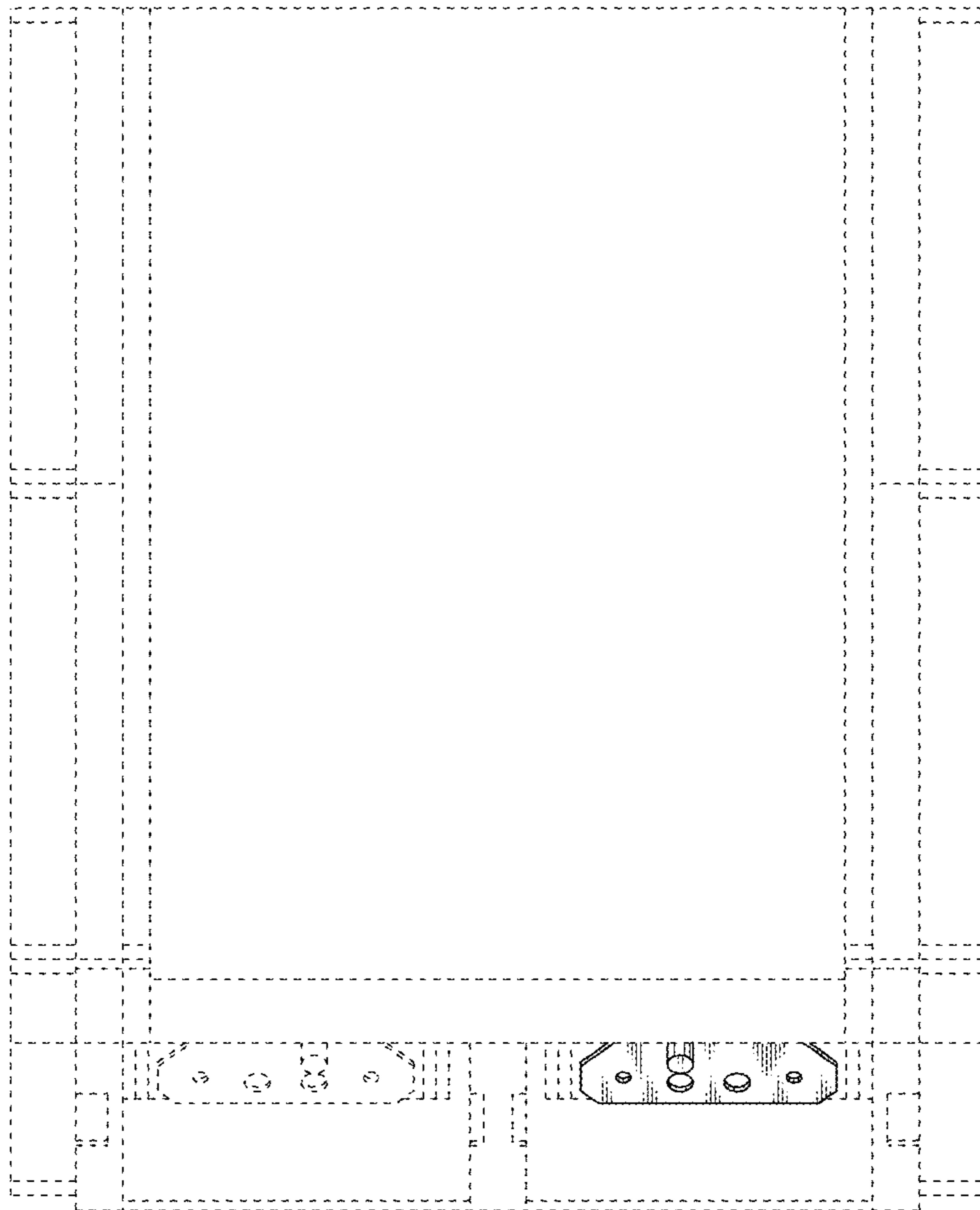


Fig. 6

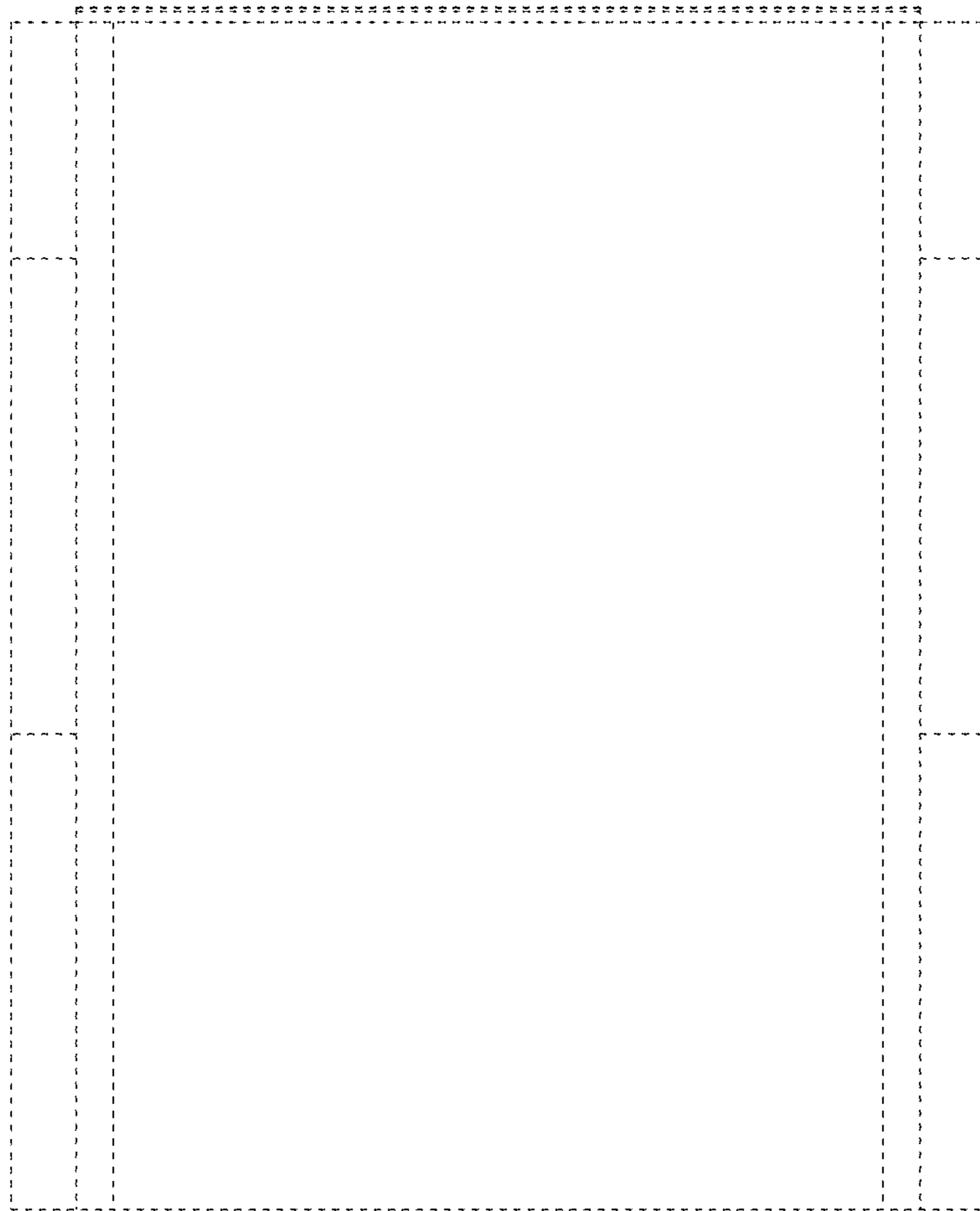


Fig. 7

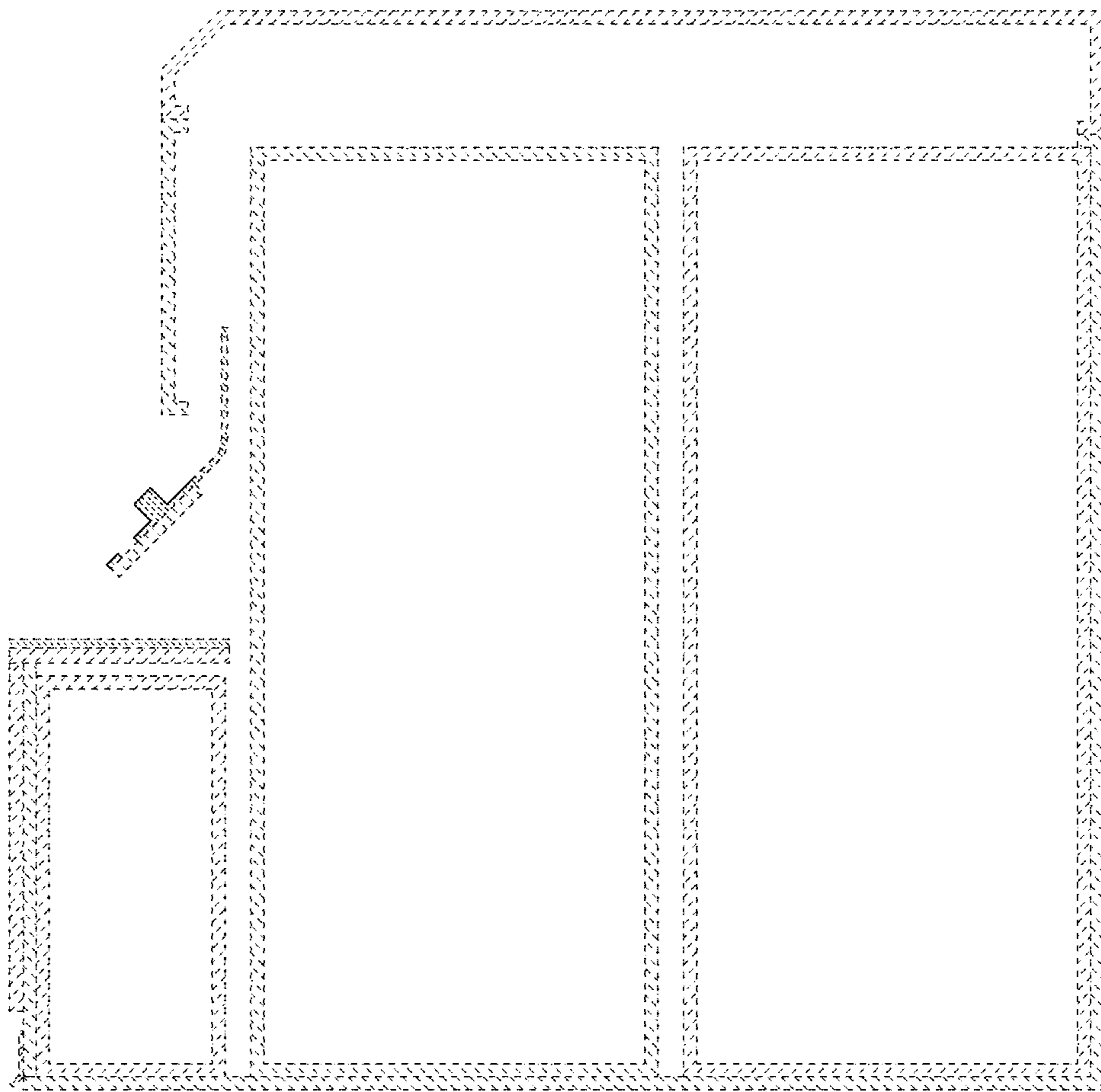


Fig. 8

