



US00D813811S

(12) **United States Design Patent** (10) **Patent No.:** **US D813,811 S**
Courtois et al. (45) **Date of Patent:** **** Mar. 27, 2018**

(54) **ALTERNATOR** D236,005 S * 7/1975 Baumann D13/112
D296,097 S * 6/1988 Reynolds D13/116
(71) Applicant: **MOTEURS LEROY-SOMER,** D336,890 S * 6/1993 Hirose D13/112
Angouleme (FR) D568,811 S * 5/2008 Andersson D13/112
D576,941 S * 9/2008 Evon D13/112
(72) Inventors: **Arnaud Courtois,** Orléans (FR); D735,135 S * 7/2015 Todd D13/112
Thomas Verchere, Orléans (FR) D768,079 S * 10/2016 Yamada D13/112
D772,814 S * 11/2016 Rivault D13/114
(73) Assignee: **MOTEURS LEROY-SOMER,** D794,563 S * 8/2017 Matta D13/114
Angouleme (FR)

(**) Term: **15 Years**
(21) Appl. No.: **29/543,820**
(22) Filed: **Oct. 28, 2015**

(30) **Foreign Application Priority Data**
Jun. 25, 2015 (WO) 002726158-0001
(51) **LOC (11) Cl.** **13-01**
(52) **U.S. Cl.**
USPC **D13/114**
(58) **Field of Classification Search**
USPC 123/2, 3; 290/1 A, 1 B, 1 R; 310/89;
322/100; 361/730, 836; D13/101,
D13/110-116, 118, 122, 184, 199;
D23/111, 351, 395
CPC . F02B 63/04; G06F 1/188; G06F 1/26; H02K
35/02
See application file for complete search history.

(56) **References Cited**
U.S. PATENT DOCUMENTS
D43,036 S * 9/1912 Gray D13/122
D59,228 S * 10/1921 Jones D13/114
D123,201 S * 10/1940 Jackson 290/1 R
D148,332 S * 1/1948 Scofield D13/110
D173,758 S * 12/1954 Kerr D13/116

FOREIGN PATENT DOCUMENTS

EM 001686742-0001 S 3/2010
EM 002195537-0001 S 3/2013
EM 002640847-0001 S 2/2015
EM 002653402-0001 3/2015

* cited by examiner

Primary Examiner — Derrick Holland
Assistant Examiner — Jennifer O King
(74) *Attorney, Agent, or Firm* — Oliff PLC

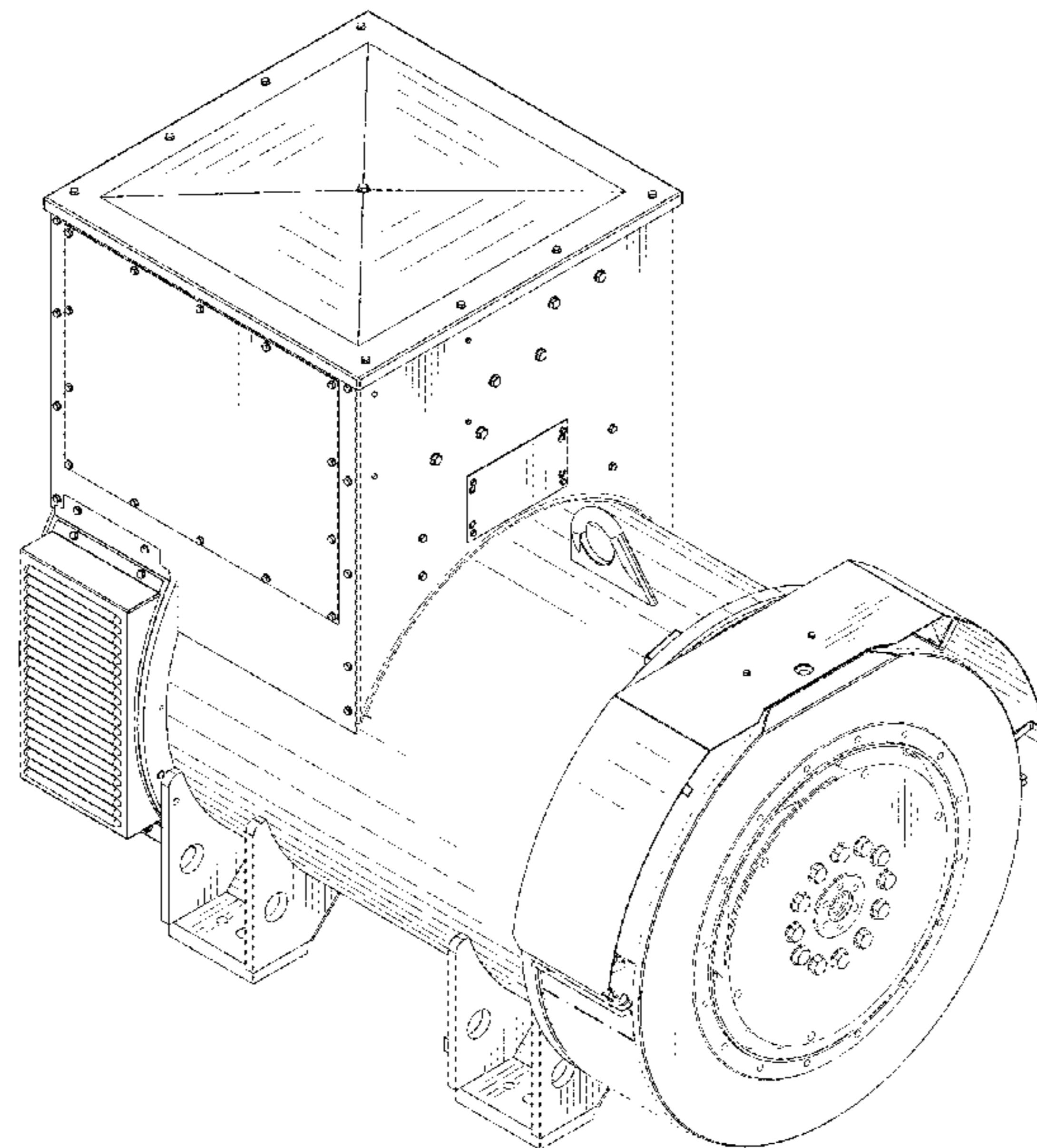
(57) **CLAIM**

The ornamental design for an alternator, as shown and described.

DESCRIPTION

FIG. 1 is a front, top, left-side perspective view of an alternator showing our new design;
FIG. 2 is a left-side elevational view thereof;
FIG. 3 is a front elevational view thereof;
FIG. 4 is a right-side elevational view thereof;
FIG. 5 is a top plan view thereof;
FIG. 6 is a bottom plan view thereof;
FIG. 7 is a rear elevational view thereof; and,
FIG. 8 is a rear, top, right-side perspective view thereof.
The broken lines depict environmental subject matter only and form no part of the claimed design.

1 Claim, 8 Drawing Sheets



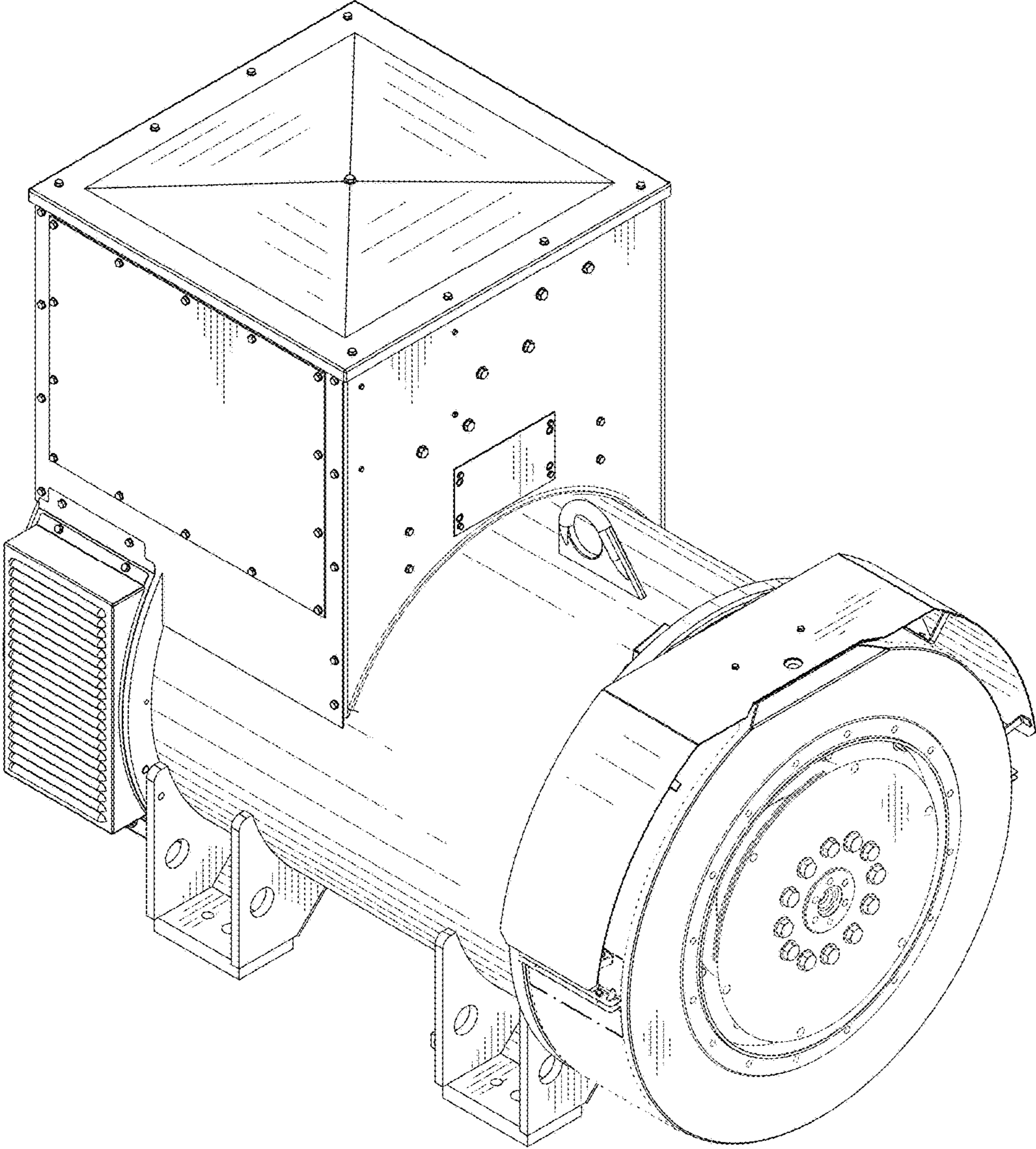


FIG. 1

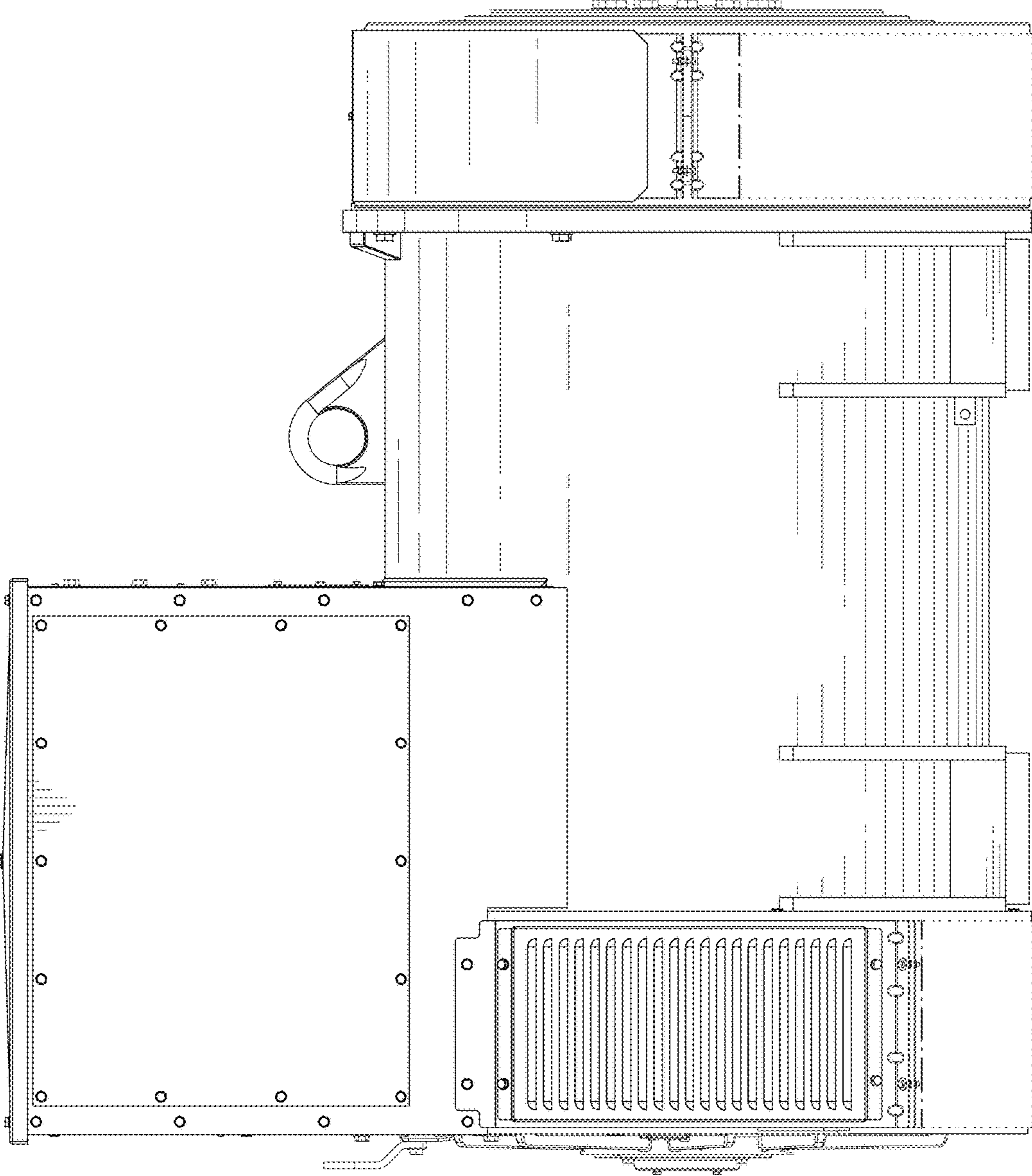


FIG. 2

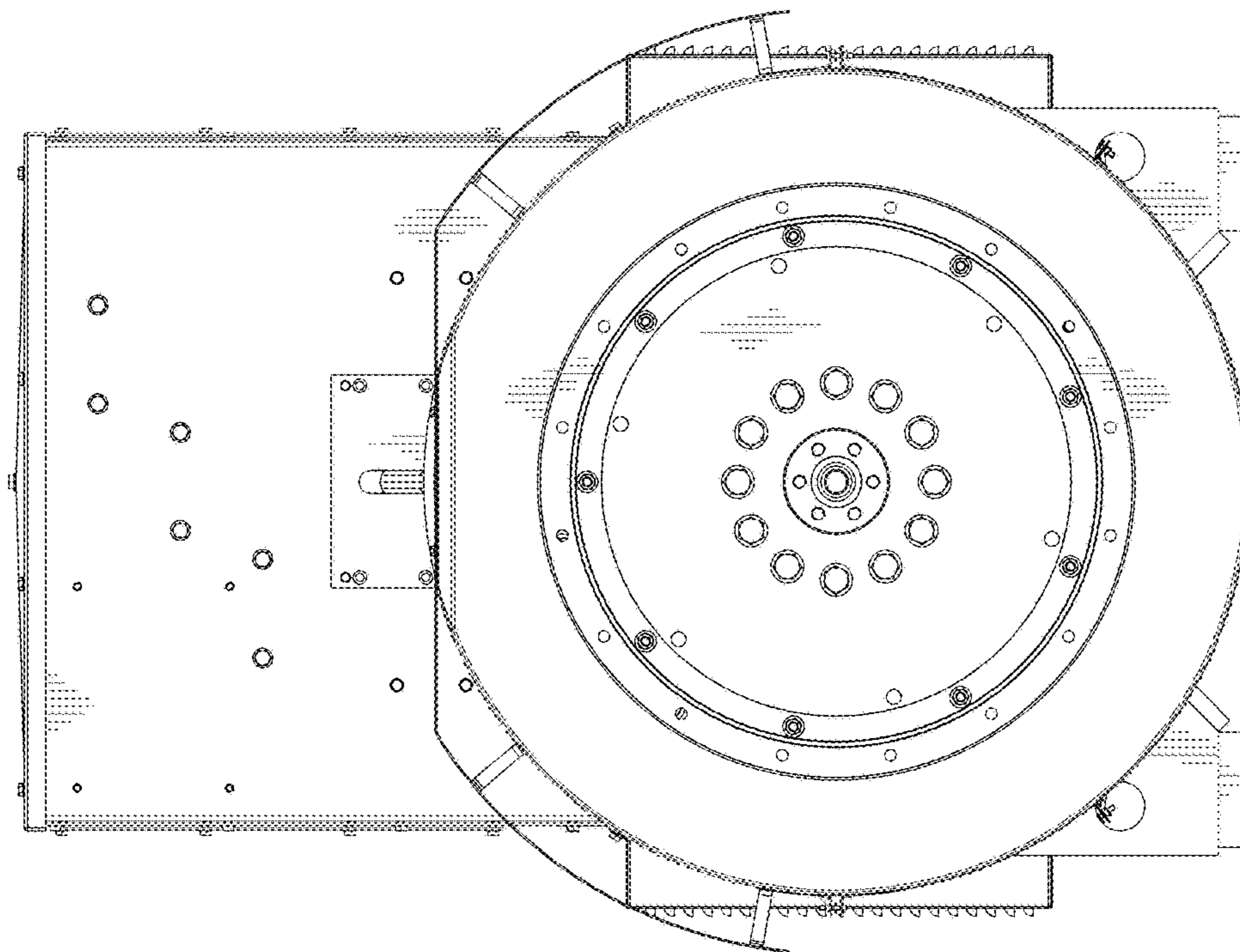


FIG. 3

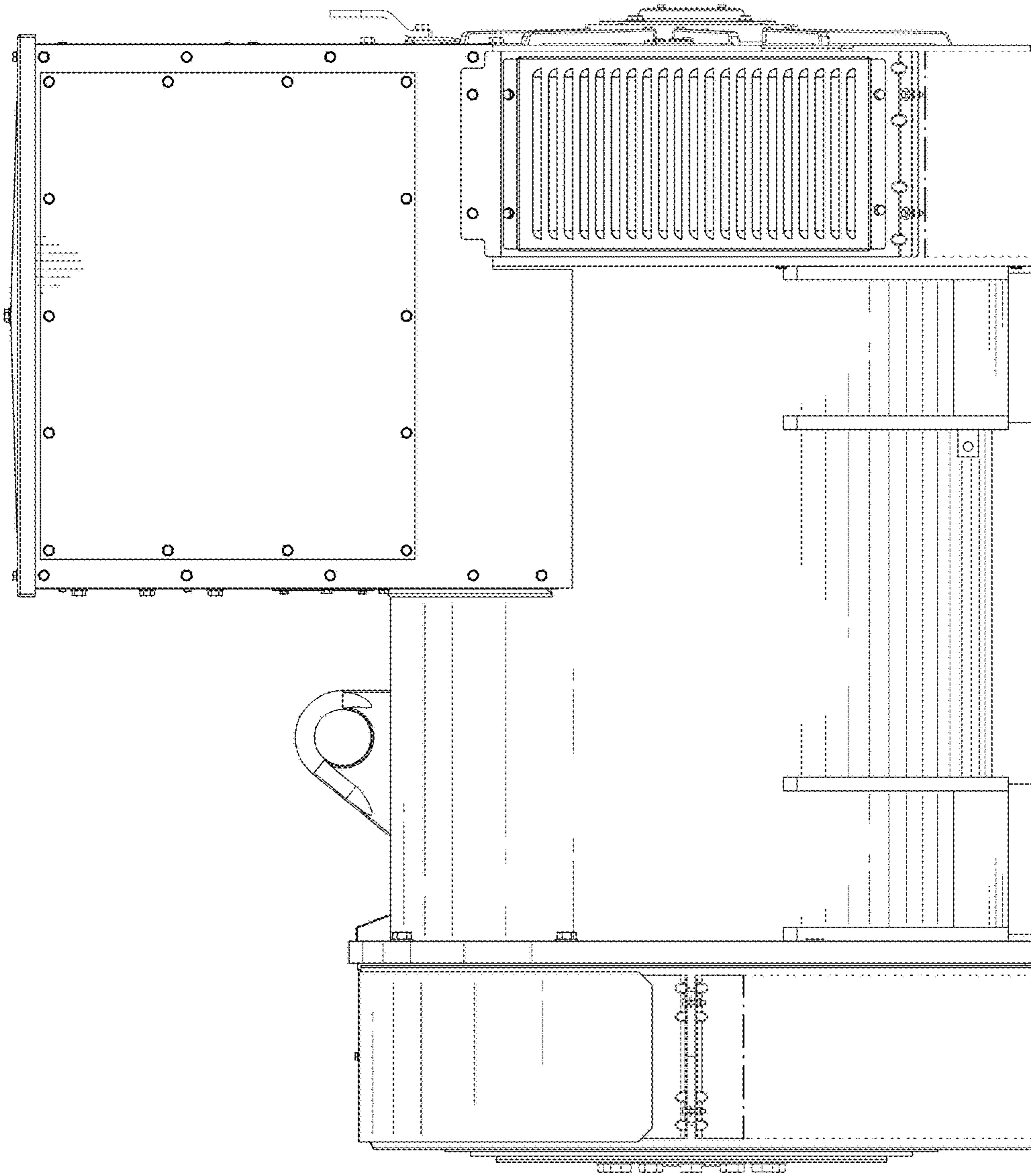


FIG. 4

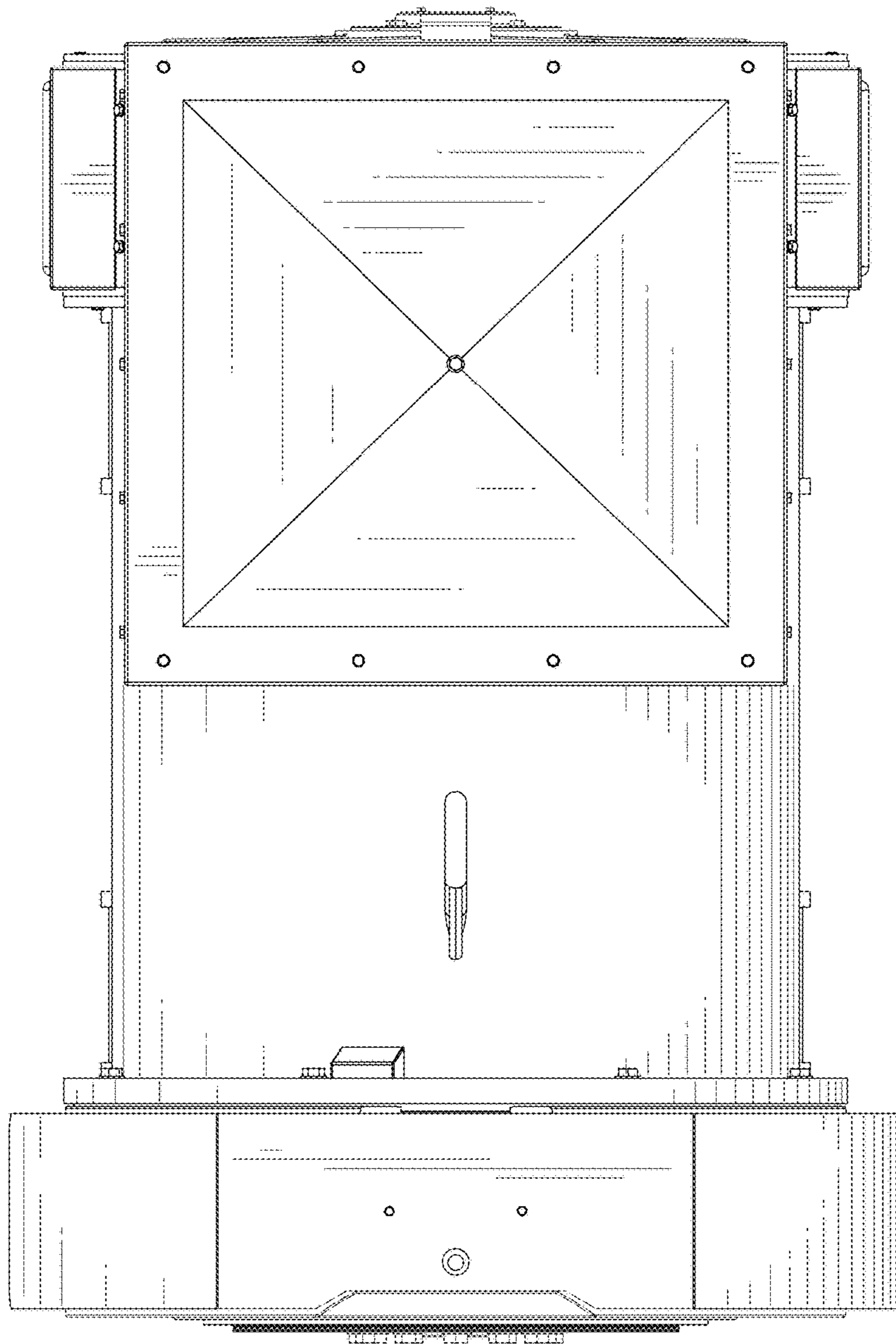


FIG. 5

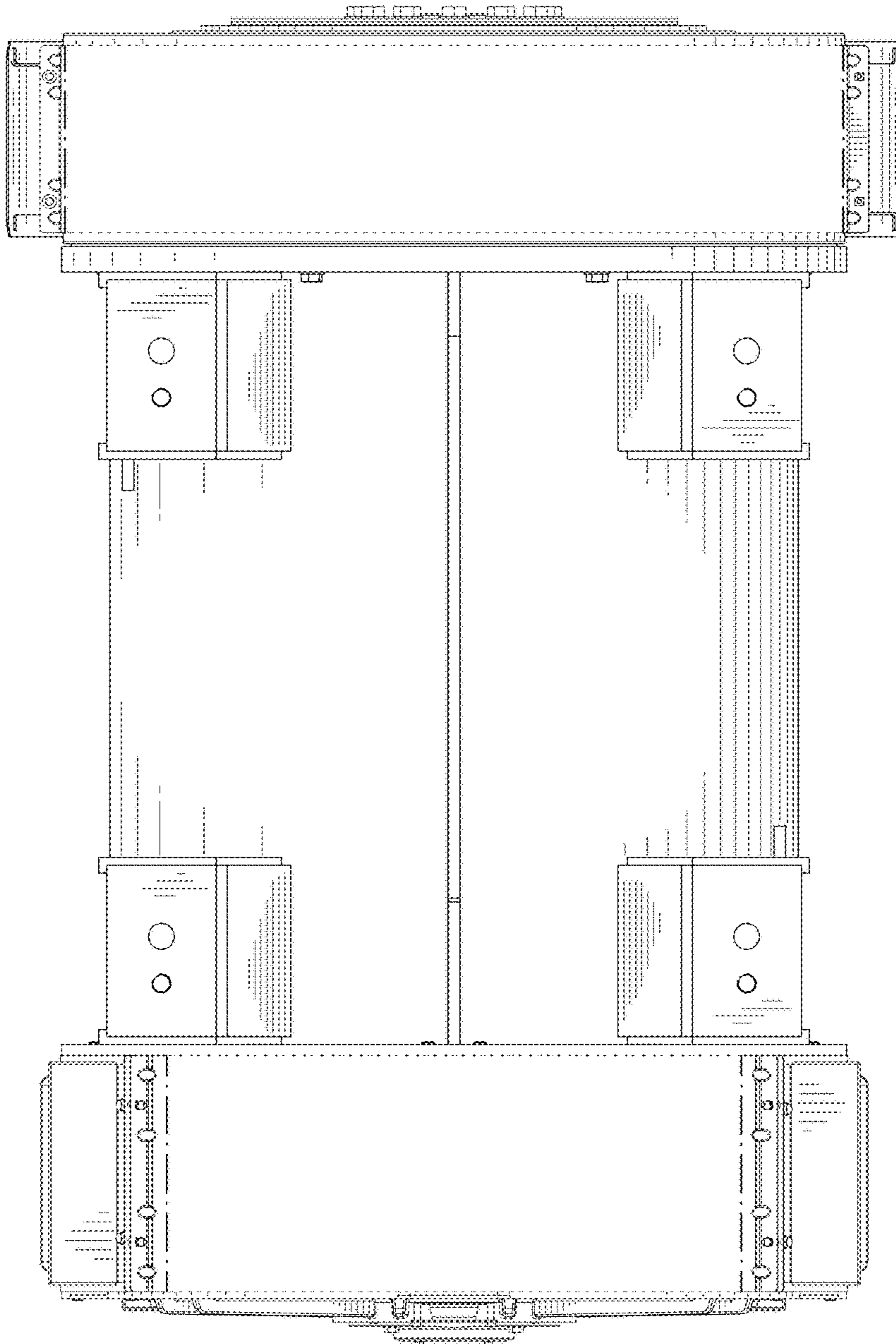


FIG. 6

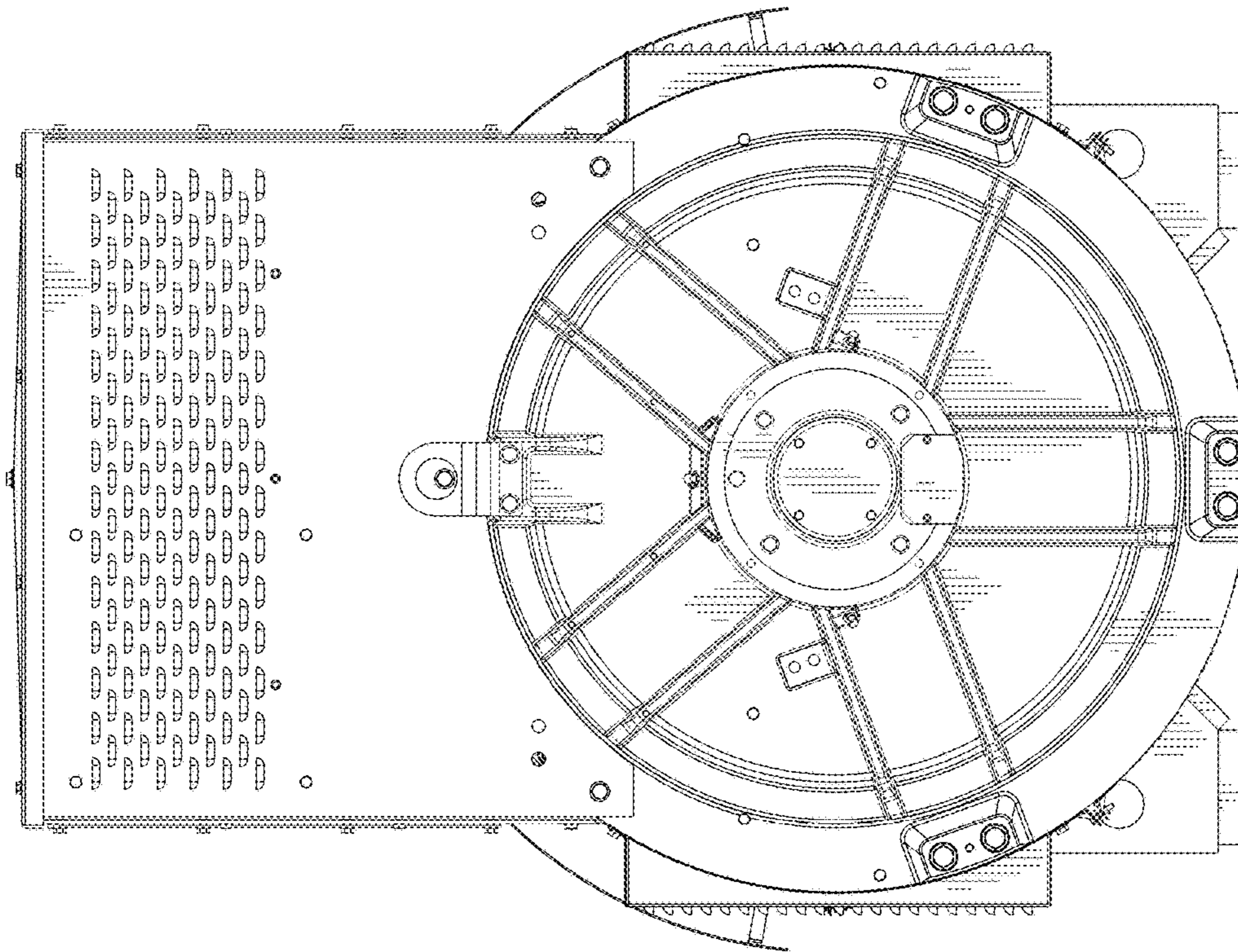


FIG. 7

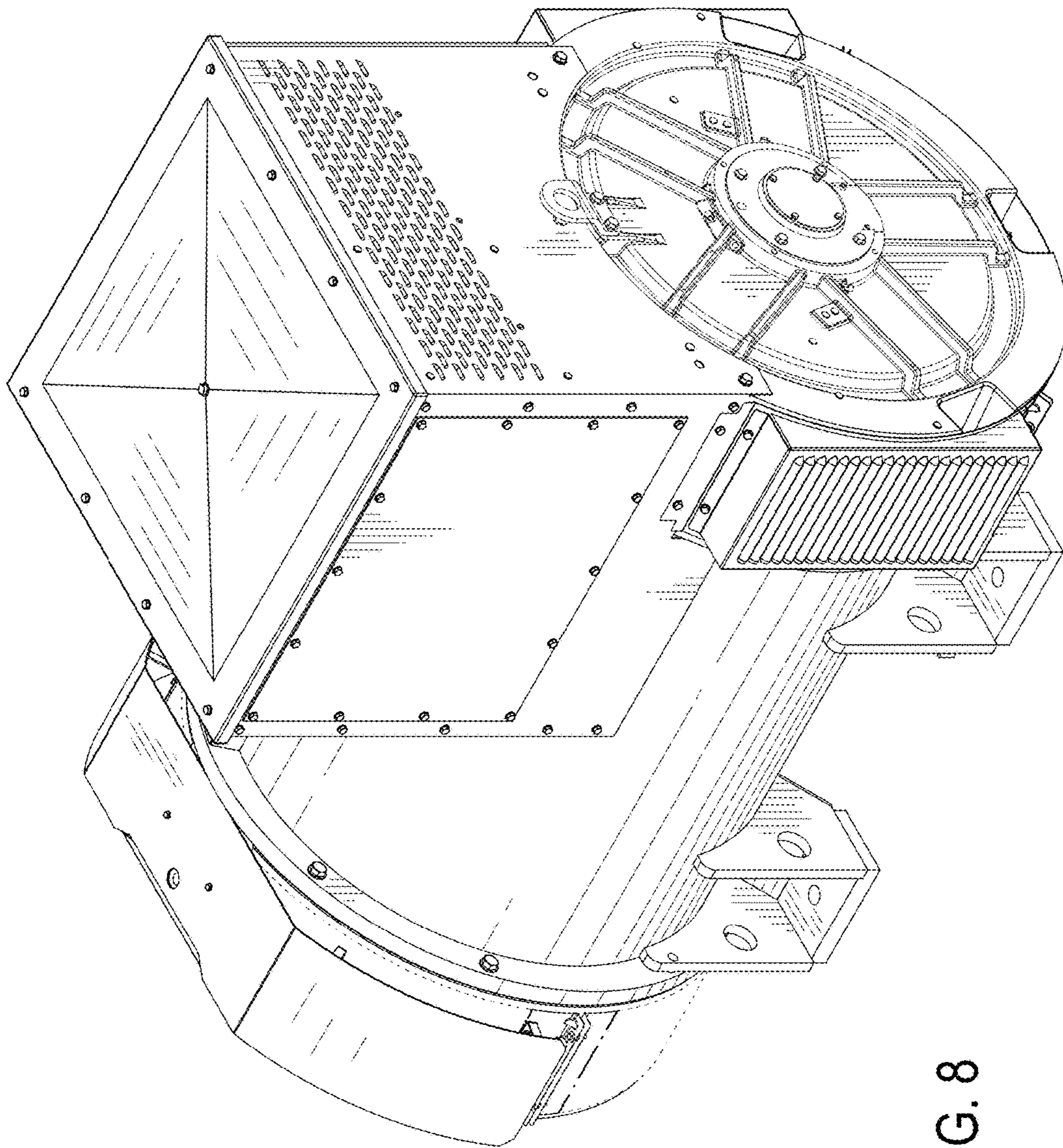


FIG. 8