



US00D813808S

(12) **United States Design Patent**
Tinius

(10) **Patent No.:** **US D813,808 S**
(45) **Date of Patent:** **** Mar. 27, 2018**

(54) **BATTERY POWERED DRIVE UNIT**

(71) Applicant: **Andreas Stihl AG & Co. KG**,
Waiblingen (DE)

(72) Inventor: **Michael Tinius**, Ulm (DE)

(73) Assignee: **Andreas Stihl AG & Co. KG**,
Waiblingen (DE)

(**) Term: **15 Years**

(21) Appl. No.: **29/571,502**

(22) Filed: **Jul. 19, 2016**

(30) **Foreign Application Priority Data**

Feb. 15, 2016 (EM) 002986414-0010

(51) **LOC (11) Cl.** **13-02**

(52) **U.S. Cl.**
USPC **D13/110**

(58) **Field of Classification Search**
USPC D13/110; D8/8, 7, 9; D15/17, 1
CPC ... B23Q 11/0089; F04D 25/084; F02D 11/02;
H02P 1/22; A01G 3/053; A01D 34/90;
B23D 47/00

See application file for complete search history.

(56) **References Cited**

U.S. PATENT DOCUMENTS

- D260,394 S * 8/1981 Tuggle D15/1
- D352,430 S * 11/1994 Kikuchi D8/8
- D361,481 S * 8/1995 Rees D8/8
- D389,707 S * 1/1998 Ohi D8/8
- D416,265 S 11/1999 Kato
- D598,935 S 8/2009 Kobayashi
- D599,822 S 9/2009 Okuda
- D623,197 S 9/2010 Hotta
- D638,856 S 5/2011 Koizumi
- 7,958,642 B2 * 6/2011 Rosskamp A01G 3/053
30/228
- D644,664 S 9/2011 Sugiyama

- D646,299 S 10/2011 Aruga
 - D653,509 S 2/2012 Tinius
 - D656,370 S * 3/2012 Tinius D8/8
 - D667,024 S 9/2012 Taniguchi
 - D668,822 S * 10/2012 Tinius D32/15
- (Continued)

OTHER PUBLICATIONS

FSA 130 posted by Stihl posted date unknown, © GustHarts, [online], [site visited Jul. 20, 2017]. <https://www.gustharts.com/machinery-c123/brushcutters-and-strimmers-c174/battery-strimmers-c178/stihl-fsa-130-p1497>.*

(Continued)

Primary Examiner — Cynthia Ramirez

Assistant Examiner — Laura H Yu

(74) *Attorney, Agent, or Firm* — McGuireWoods LLP

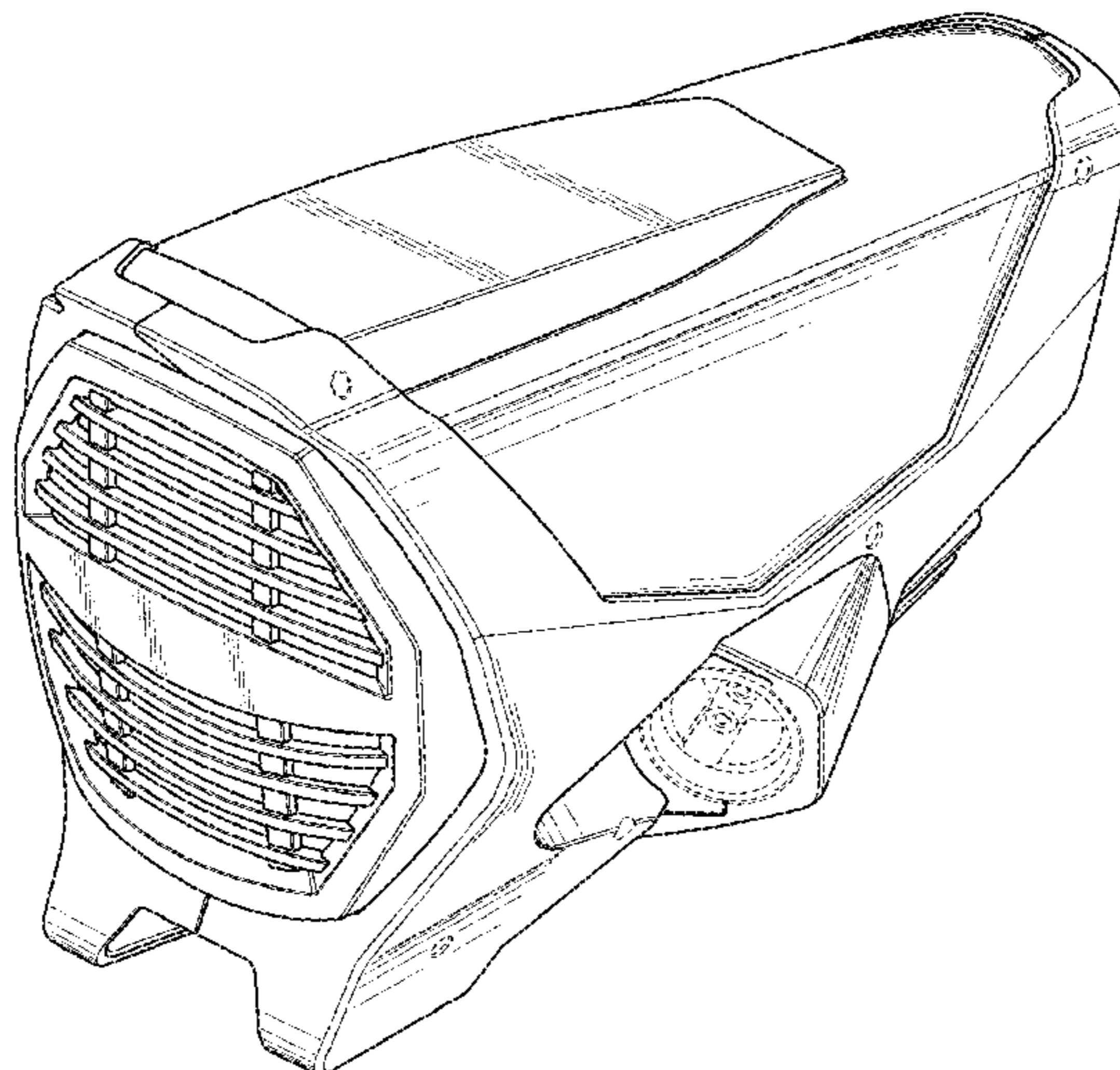
(57) **CLAIM**

I claim the ornamental design for a battery powered drive unit, as shown and described.

DESCRIPTION

FIG. 1 is a left perspective view of the battery powered drive unit;
 FIG. 2 is a left view of the battery powered drive unit shown in FIG. 1;
 FIG. 3 is a right view of the battery powered drive unit shown in FIG. 1;
 FIG. 4 is a front view of the battery powered drive unit shown in FIG. 1;
 FIG. 5 is a rear view of the battery powered drive unit shown in FIG. 1
 FIG. 6 is a top view of the battery powered drive unit shown in FIG. 1; and,
 FIG. 7 is a bottom view of the battery powered drive unit shown in FIG. 1.
 The portions of the battery powered drive unit shown in broken lines form no part of the claimed design.

1 Claim, 7 Drawing Sheets



(56)

References Cited

U.S. PATENT DOCUMENTS

D673,976 S 1/2013 Yuasa
 D702,630 S * 4/2014 Tinius D13/103
 D704,741 S 5/2014 Tinius
 D710,662 S * 8/2014 Kawase D8/8
 D712,217 S * 9/2014 Kawase D8/8
 8,894,382 B2 * 11/2014 Binder F04D 25/084
 310/191
 D740,088 S * 10/2015 Ishikawa D8/8
 D741,917 S * 10/2015 Tinius D15/15
 D758,150 S * 6/2016 Tinius D8/8
 D758,151 S * 6/2016 Tinius D8/8
 9,417,651 B2 * 8/2016 Goetzel F02D 11/02
 9,460,869 B2 * 10/2016 Valfridsson H01H 9/06
 9,636,792 B2 * 5/2017 Mandalka B23Q 11/0089
 2003/0172898 A1 * 9/2003 Uhl B23B 45/048
 123/198 B
 2005/0284422 A1 * 12/2005 Riehmman B23D 47/00
 123/41.7

2007/0245575 A1 * 10/2007 Rosskamp A01G 3/053
 30/392
 2007/0247095 A1 * 10/2007 Machens A01D 34/90
 318/268
 2014/0070737 A1 * 3/2014 Kloeker H02P 1/22
 318/283
 2014/0166325 A1 * 6/2014 Goetzel F02D 11/02
 173/170

OTHER PUBLICATIONS

EGO Trimmer posted by EGO posted review date Mar. 1, 2015, © HomeDepot, [online], [site visited Jul. 20, 2017]. <http://www.homedepot.com/p/EGO-15-in-56-Volt-Lithium-Ion-Electric-Cordless-Brushless-String-Trimmer-with-Split-Shaft-Battery-and-Charger-Not-Included-ST1500-S/205983358>.
 Andreas Stihl France posted by the Secteur Vert posted date Sep. 19, 2016, © YouTube, [online], [site visited Jul. 20, 2017]. <https://www.youtube.com/watch?v=jmnFtpydgkk>.

* cited by examiner

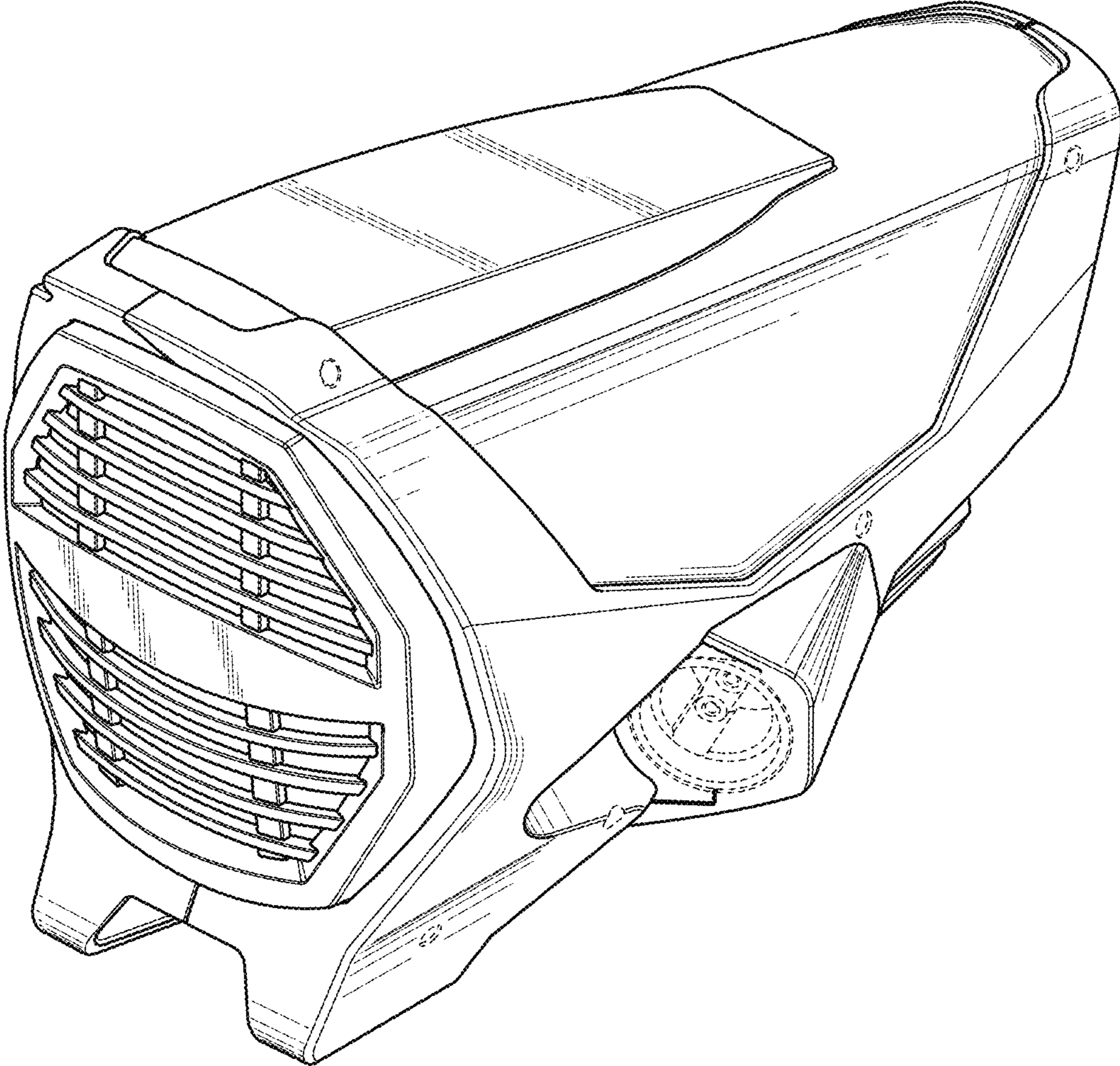


FIG. 1

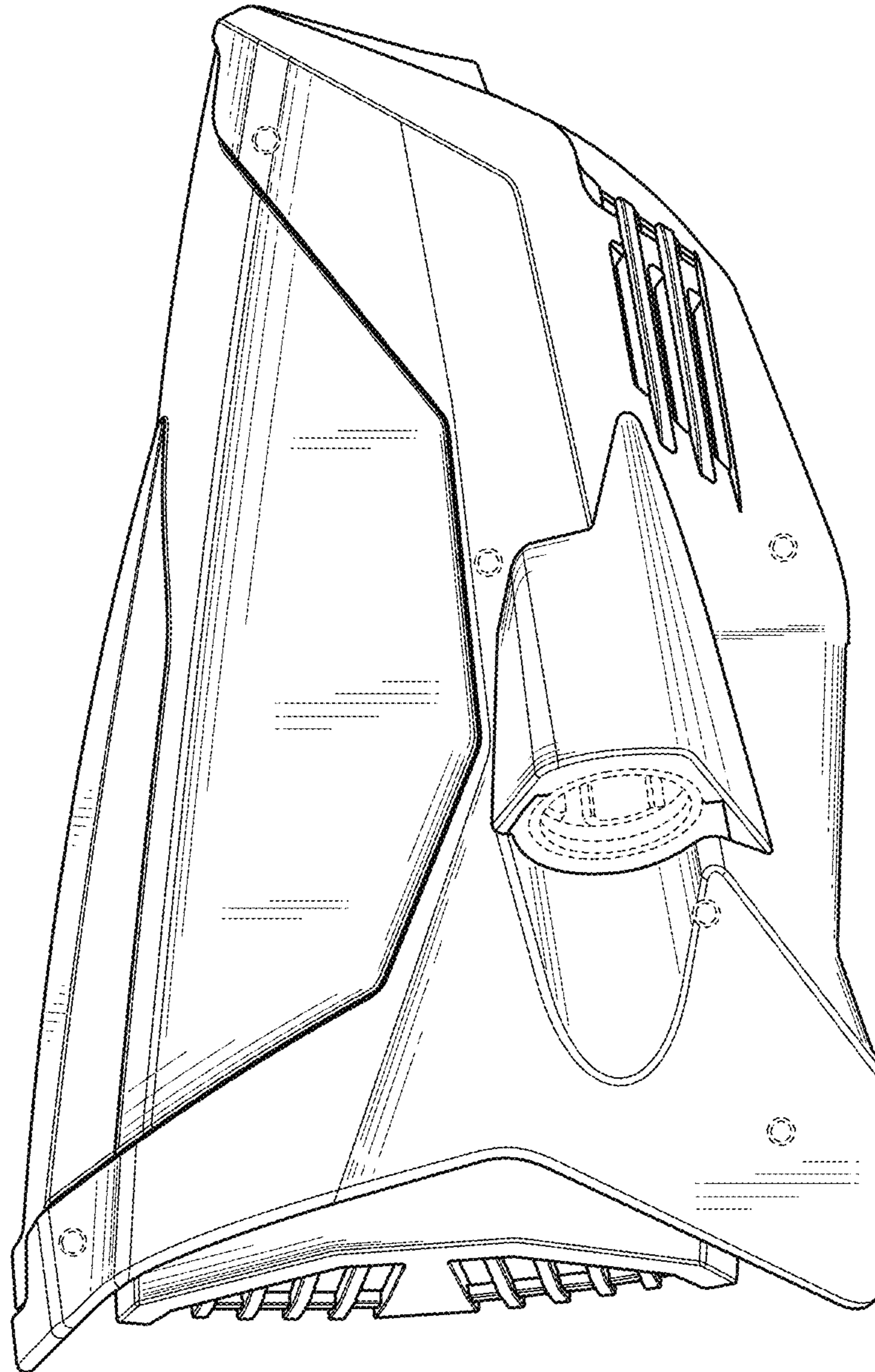


FIG. 2

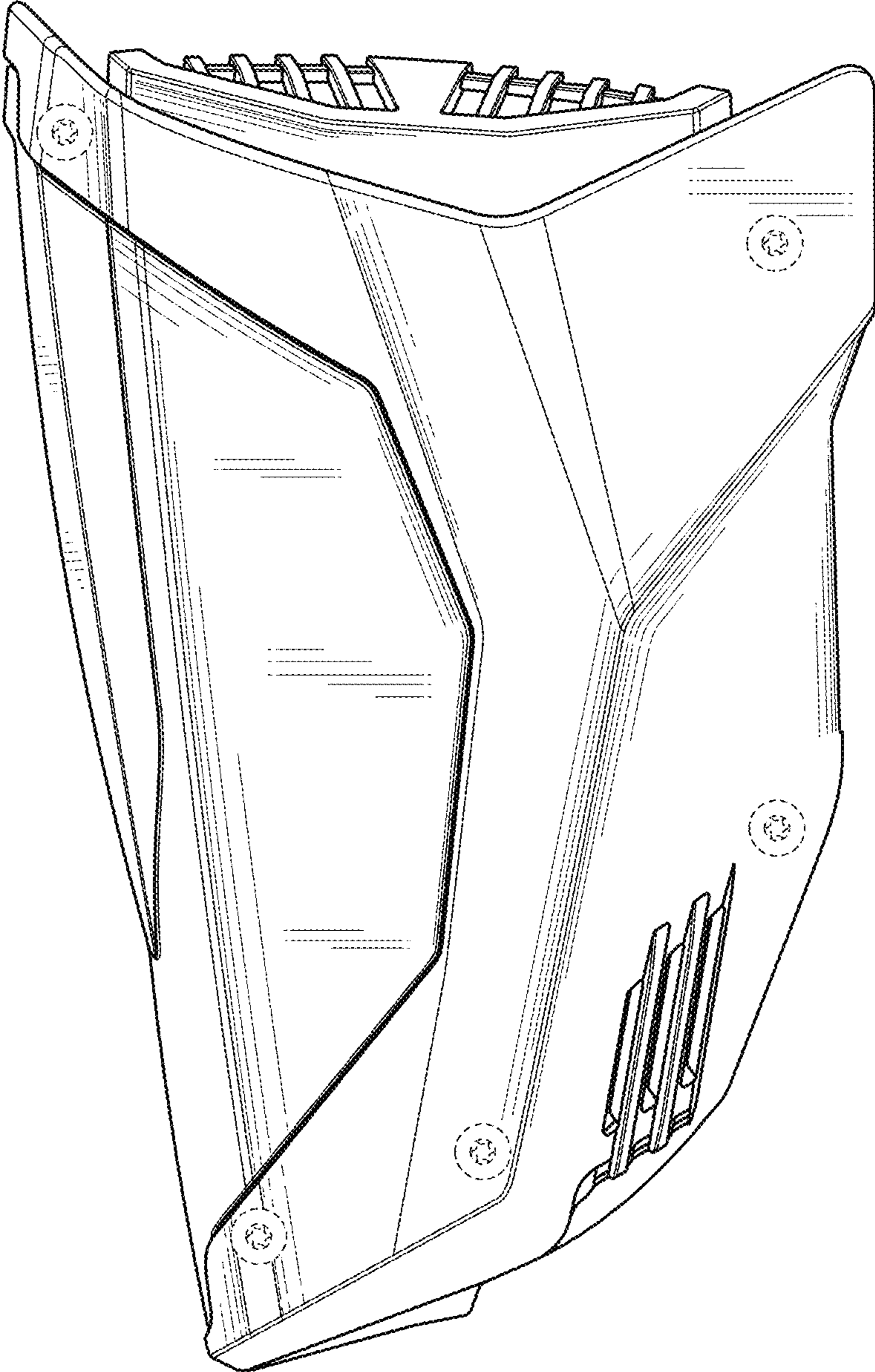


FIG. 3

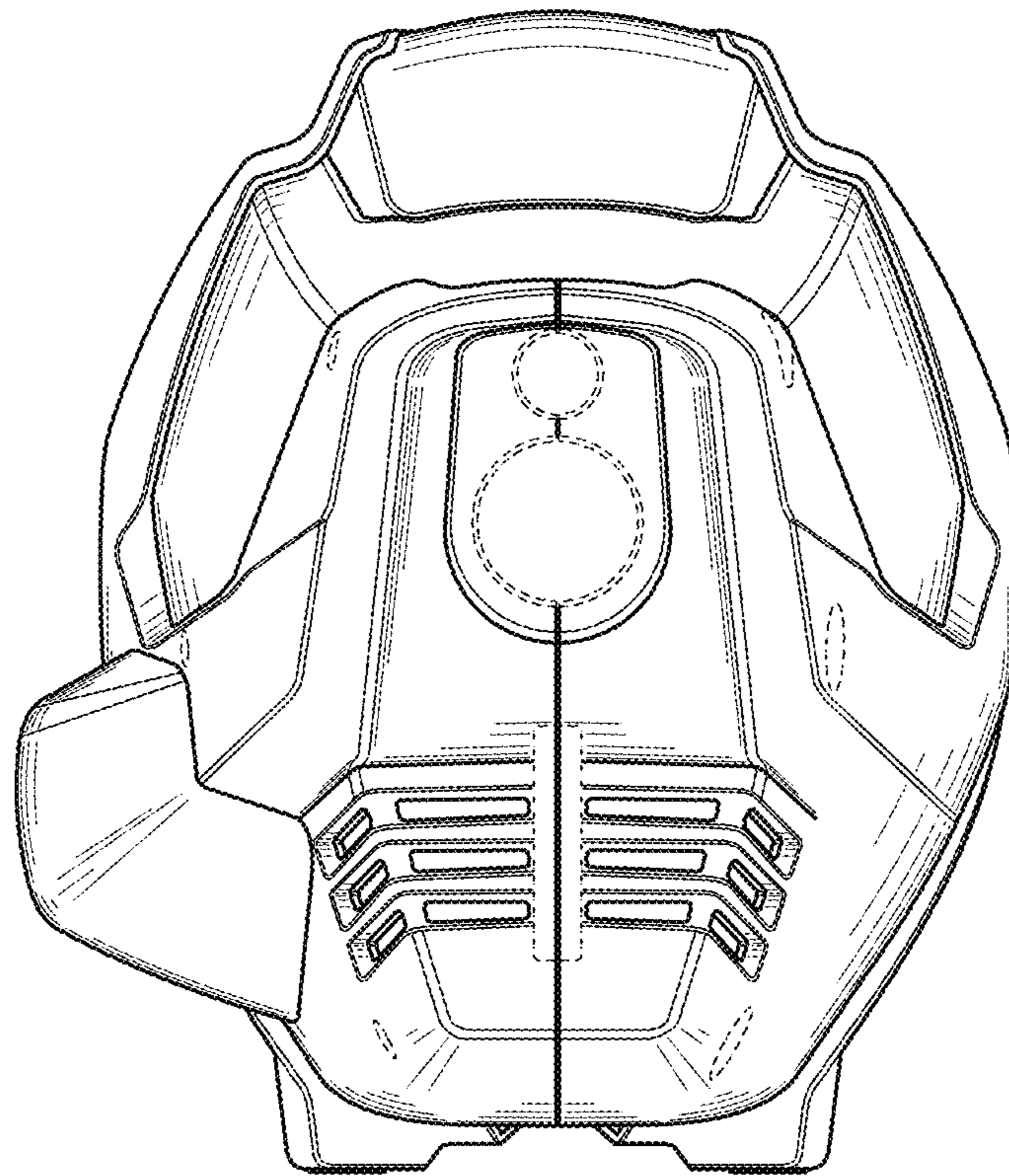


FIG. 4

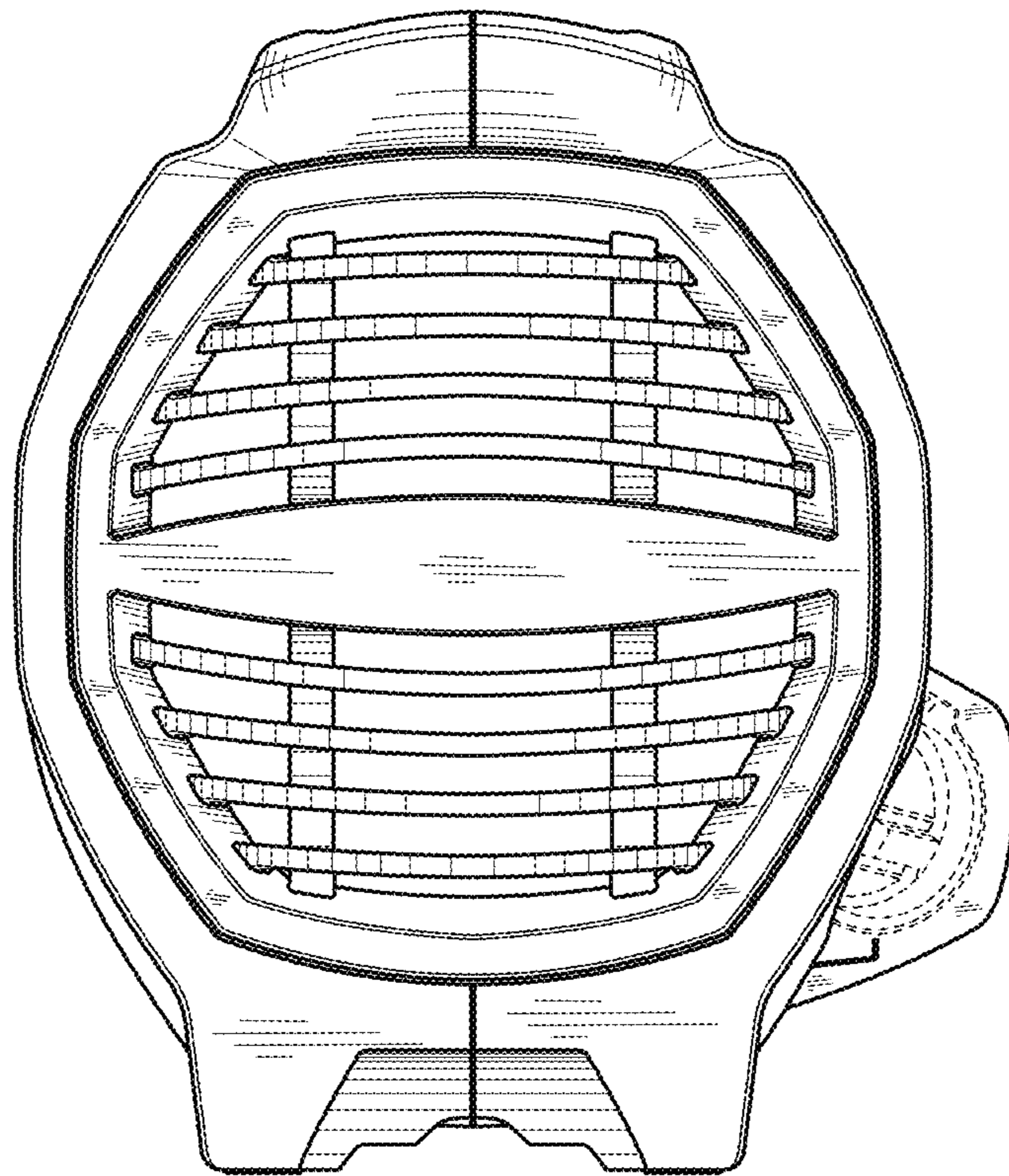


FIG. 5

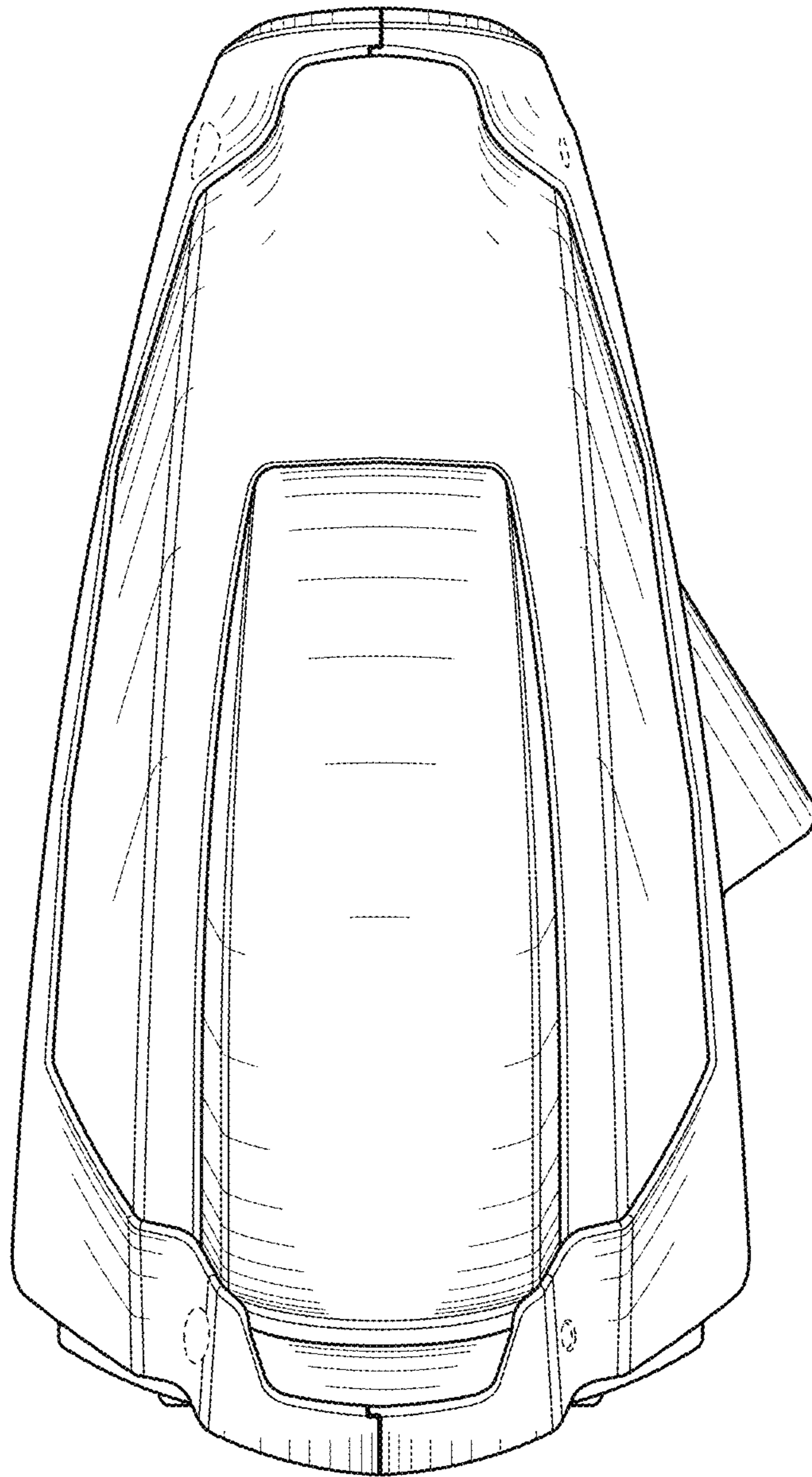


FIG. 6

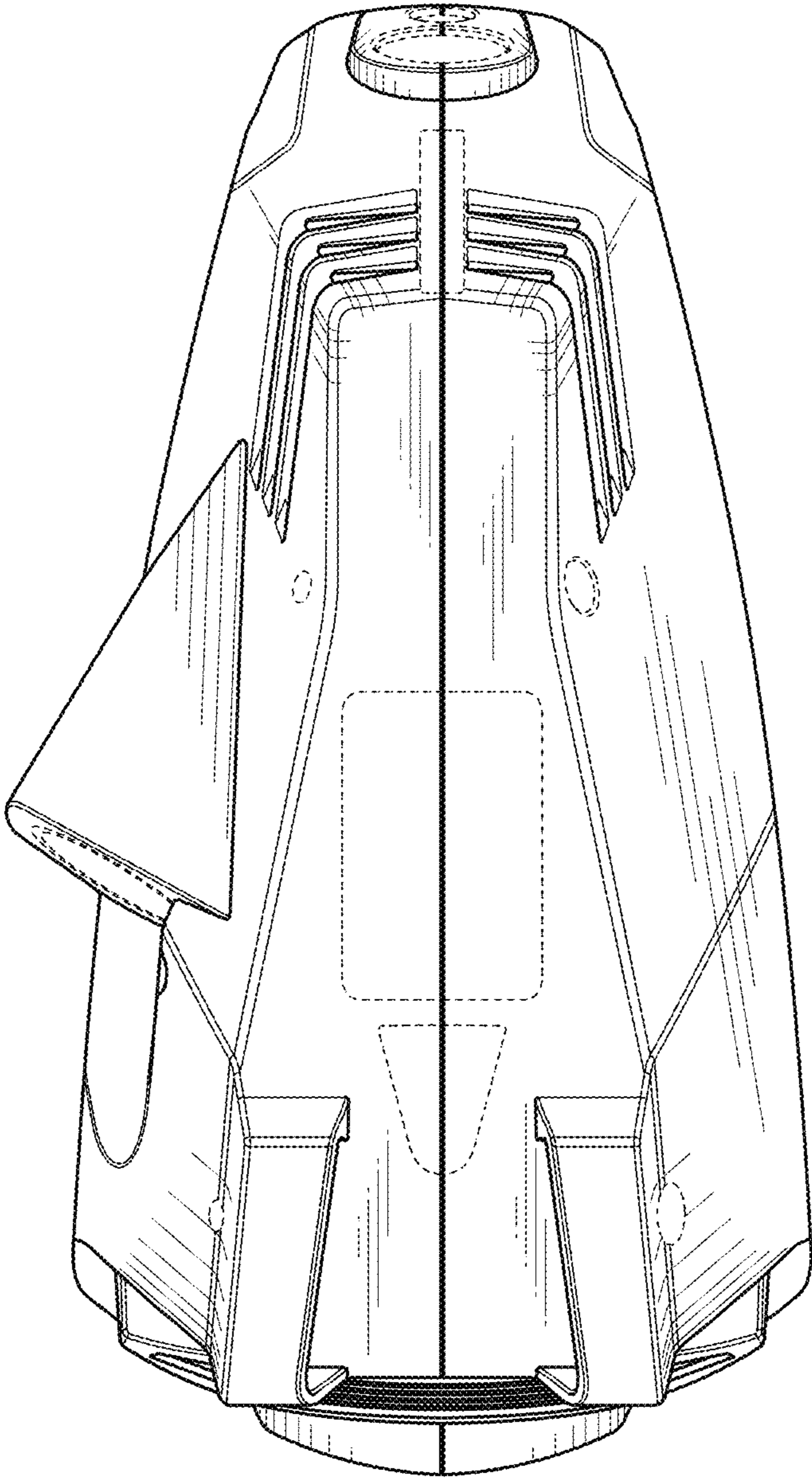


FIG. 7