



US00D813806S

(12) **United States Design Patent**
Ito et al.

(10) **Patent No.:** **US D813,806 S**

(45) **Date of Patent:** **** Mar. 27, 2018**

(54) **CHARGER**

(71) Applicant: **OMRON HEALTHCARE Co., Ltd.**,
Muko-shi, Kyoto (JP)

(72) Inventors: **Tamaki Ito**, Muko (JP); **Tsuyoshi Ogihara**, Muko (JP); **Takashi Shigeno**, Tokyo (JP); **Kazuya Andachi**, Tokyo (JP)

(73) Assignee: **OMRON HEALTHCARE Co., Ltd.** (JP)

(**) Term: **15 Years**

(21) Appl. No.: **29/596,926**

(22) Filed: **Mar. 13, 2017**

(30) **Foreign Application Priority Data**

Nov. 28, 2016 (JP) 2016-025738

(51) **LOC (11) Cl.** **13-02**

(52) **U.S. Cl.**
USPC **D13/108**

(58) **Field of Classification Search**
USPC D13/107–110, 118–119, 184, 199;
D14/251, 253, 432, 434
CPC Y02E 60/12; Y02T 90/14; Y02T 90/122;
Y02T 90/128; Y02T 90/163; H02J 7/025;
H02J 7/0042; H02J 7/0044; H02J 7/0045;
H02J 7/0003; H01F 38/14; H01R
13/6675; H01M 2/1022; H01M 2/1055;
H01M 10/44; H01M 10/46; H01M
10/425; B60L 11/182

See application file for complete search history.

(56) **References Cited**

U.S. PATENT DOCUMENTS

D278,426 S *	4/1985	Lanci	D13/107
D397,084 S *	8/1998	Siddoway	D13/107
D462,657 S *	9/2002	Kaneko	D13/107
D526,995 S *	8/2006	Claxton	D13/108
D551,163 S *	9/2007	Hamasaki	D13/107
D562,230 S *	2/2008	Houghton	D13/107
D609,637 S *	2/2010	Chu	D13/108
D609,638 S *	2/2010	Biheller	D13/108
D629,355 S *	12/2010	Bodley	D13/108
D656,459 S *	3/2012	Crawley	D13/108
D657,311 S *	4/2012	Chan	D13/118
D689,231 S *	9/2013	Crawford	D13/108
D731,967 S *	6/2015	Tuhkanen	D13/108

* cited by examiner

Primary Examiner — Rosemary K Tarcza

(74) *Attorney, Agent, or Firm* — Saidman DesignLaw Group, LLC

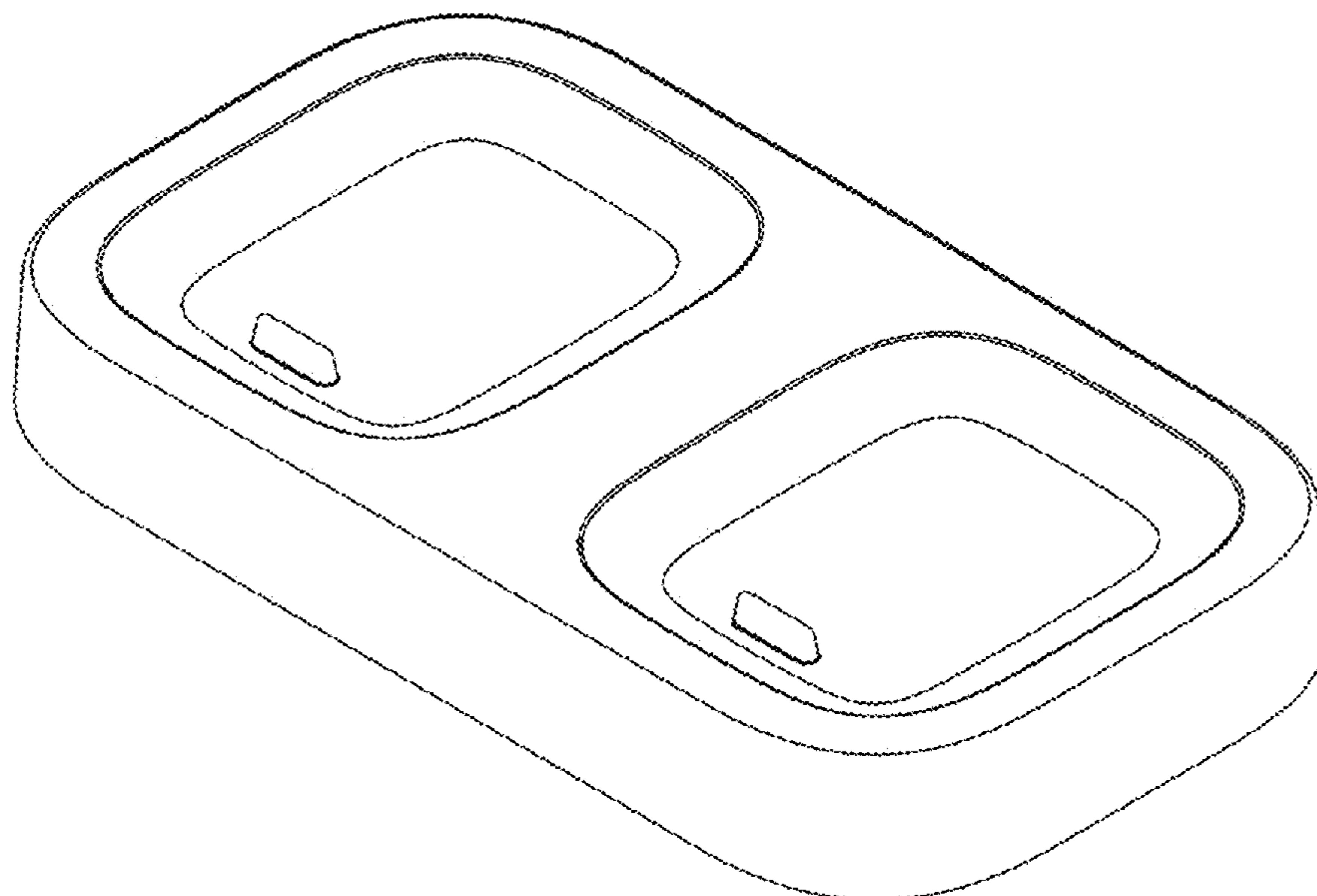
(57) **CLAIM**

The ornamental design for a charger, as shown and described.

DESCRIPTION

FIG. 1 is a perspective view of a charger showing our new design;
FIG. 2 is a front view thereof;
FIG. 3 is a rear view thereof;
FIG. 4 is a top view thereof;
FIG. 5 is a bottom view thereof;
FIG. 6 is a left side view thereof; and,
FIG. 7 is a right side view thereof.

1 Claim, 5 Drawing Sheets



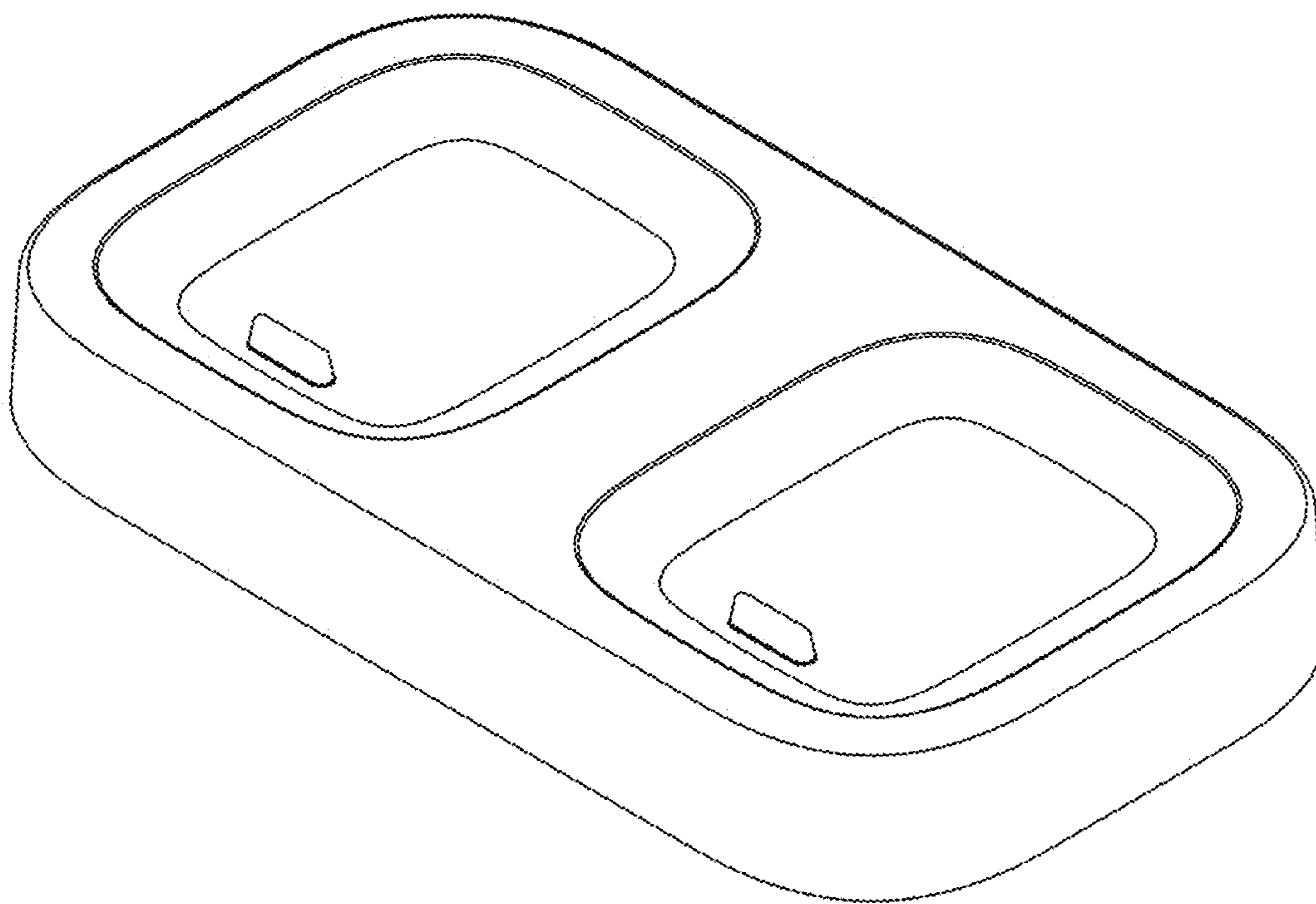


FIG. 1

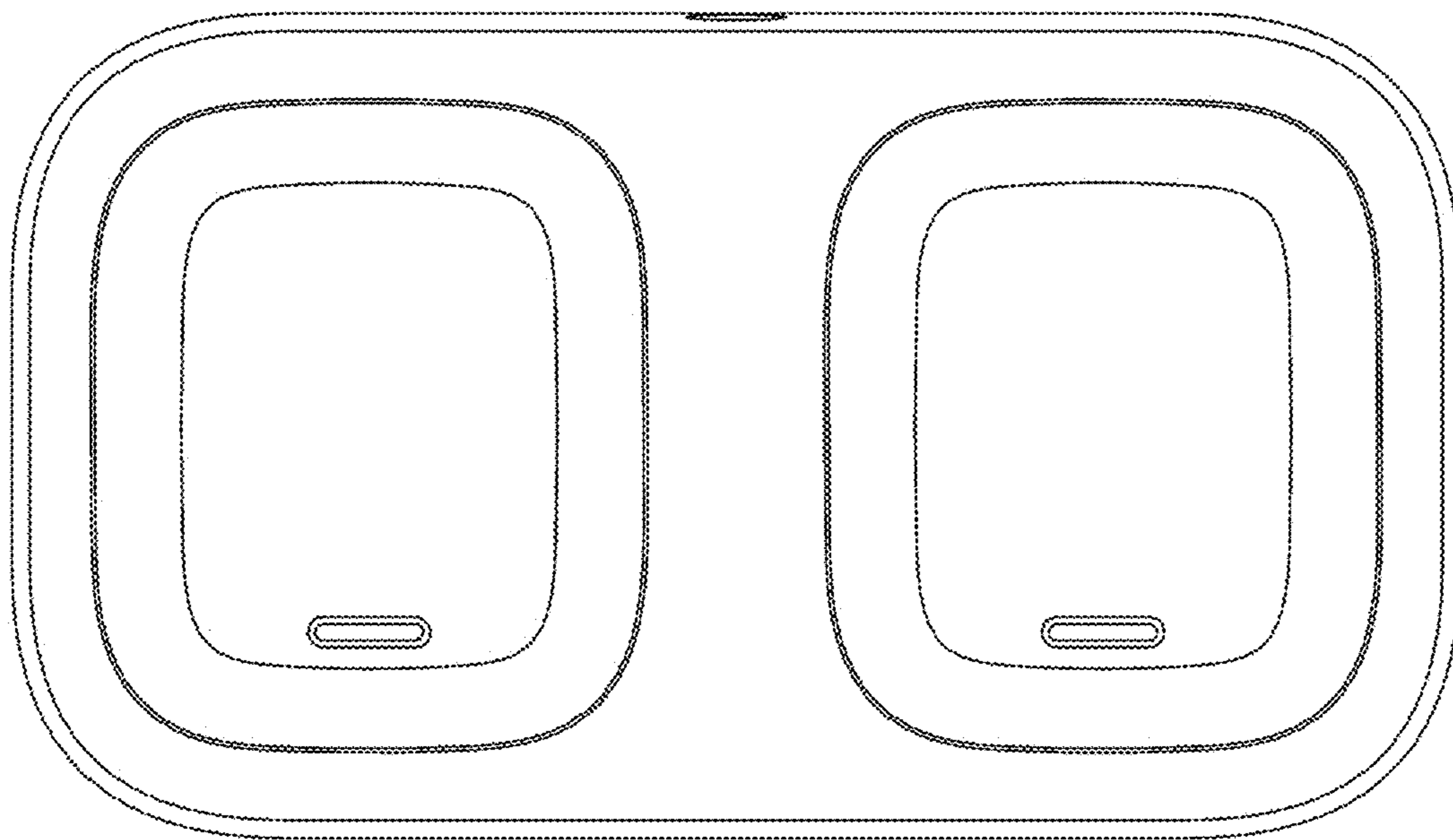


FIG. 2

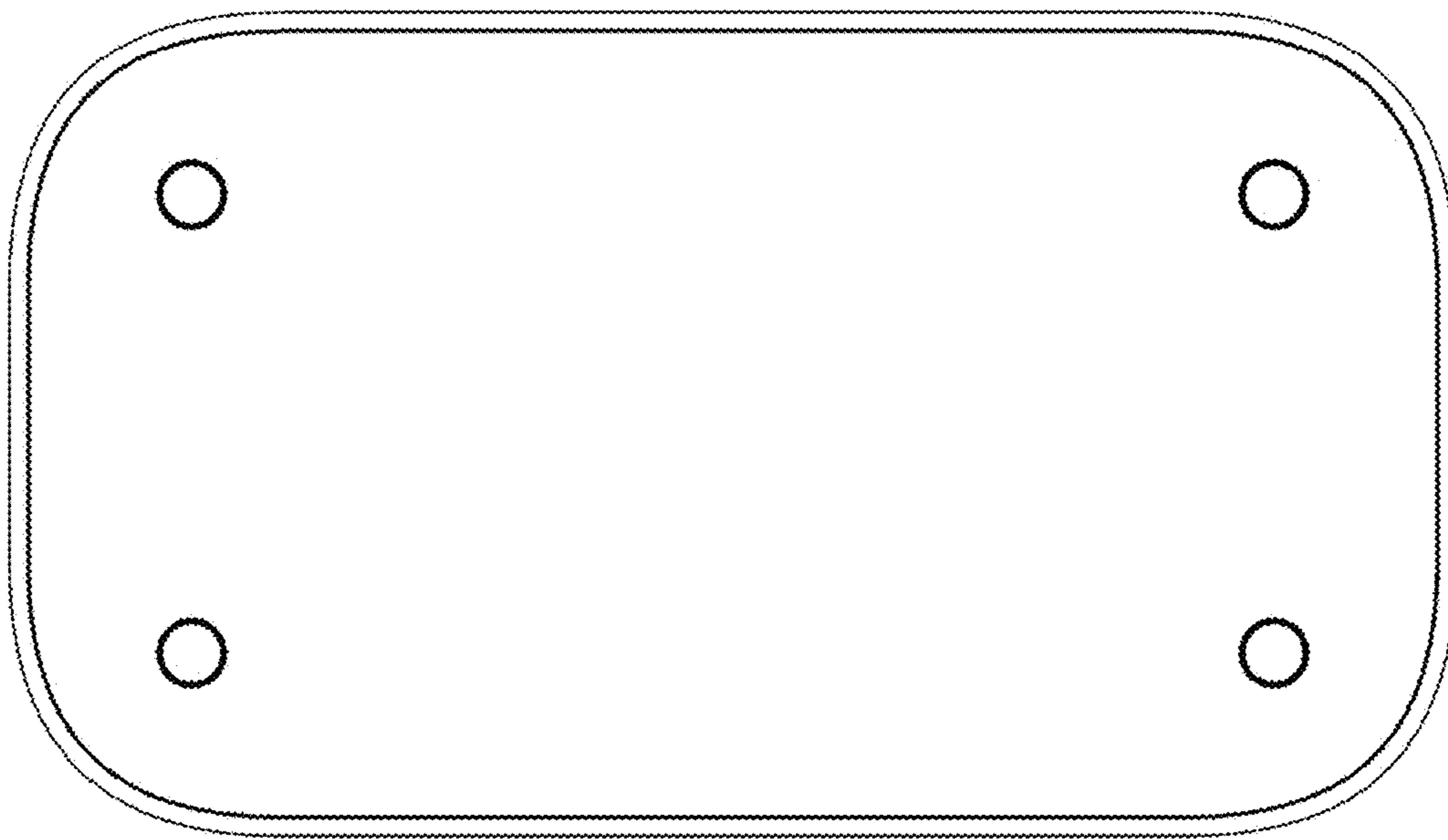


FIG. 3

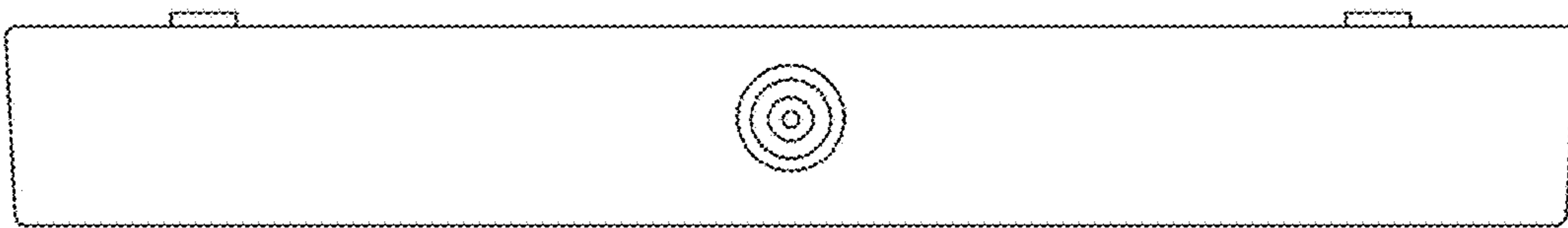


FIG. 4



FIG. 5

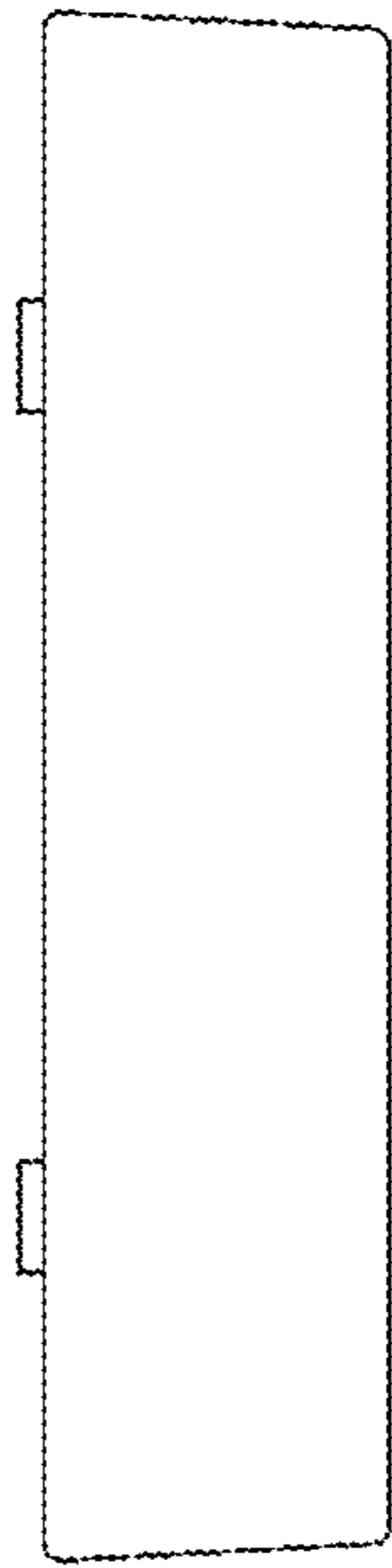


FIG. 6

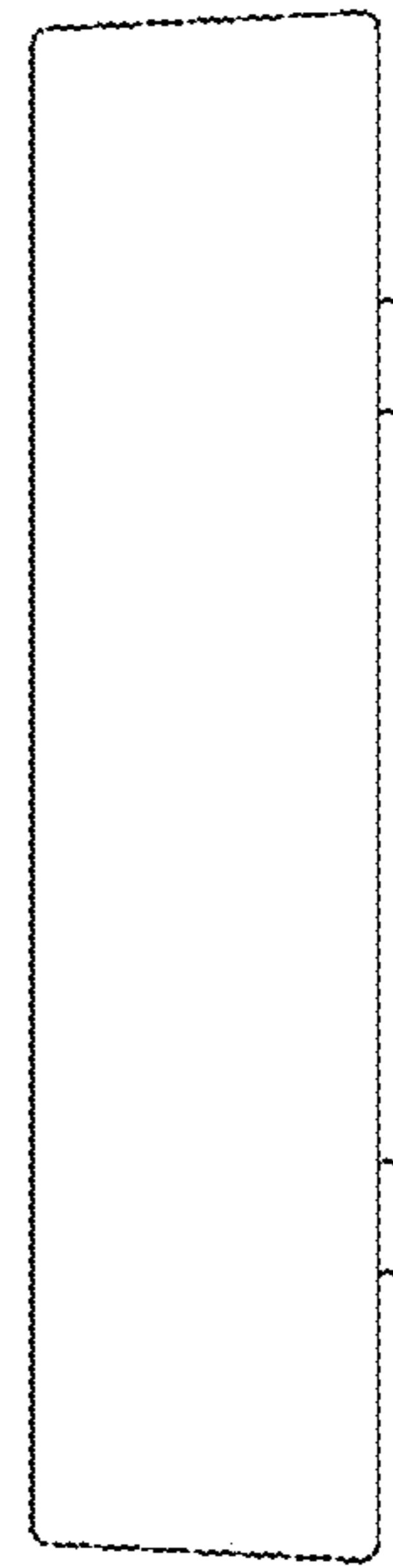


FIG. 7