



US00D813805S

(12) **United States Design Patent**  
**Zhong**

(10) **Patent No.:** **US D813,805 S**  
(45) **Date of Patent:** **\*\* Mar. 27, 2018**

(54) **CHARGING STAND FOR PORTABLE ELECTRONIC DEVICES**

(71) Applicant: **Shenzhen Ruimaide Technology Co., Ltd.**, Shenzhen, Guangdong (CN)

(72) Inventor: **Decai Zhong**, Fujian (CN)

(73) Assignee: **SHENZHEN RUIMAIDE TECHNOLOGY CO. LTD.**, Shenzhen (CN)

(\*\*) Term: **15 Years**

(21) Appl. No.: **29/590,619**

(22) Filed: **Jan. 12, 2017**

(51) **LOC (11) Cl.** ..... **13-02**

(52) **U.S. Cl.**  
USPC ..... **D13/108**

(58) **Field of Classification Search**  
USPC ..... D13/107-110, 118-119, 184, 199;  
D14/251, 253, 432, 434  
CPC ..... Y02E 60/12; Y02T 90/14; Y02T 90/122;  
Y02T 90/128; Y02T 90/163; H02J 7/025;  
H02J 7/0042; H02J 7/0044; H02J 7/0045;  
H02J 7/0003; H01F 38/14; H01R  
13/6675; H01M 2/1022; H01M 2/1055;  
H01M 10/44; H01M 10/46; H01M  
10/425; B60L 11/182  
See application file for complete search history.

(56) **References Cited**

**U.S. PATENT DOCUMENTS**

D471,906 S \* 3/2003 Salazar ..... D13/108  
D489,322 S \* 5/2004 Sawai ..... D13/108

D554,115 S \* 10/2007 Liu ..... D13/108  
D554,116 S \* 10/2007 Liu ..... D13/108  
D558,749 S \* 1/2008 Furuno ..... D13/107  
D568,808 S \* 5/2008 Hamasaki ..... D13/108  
D572,188 S \* 7/2008 Prat-Pfister ..... D13/108  
D642,521 S \* 8/2011 Markowitz ..... D13/108  
D772,216 S \* 11/2016 Lau ..... D13/108

\* cited by examiner

*Primary Examiner* — Rosemary K Tarcza

(74) *Attorney, Agent, or Firm* — Law Offices of Steven W. Weinrieb

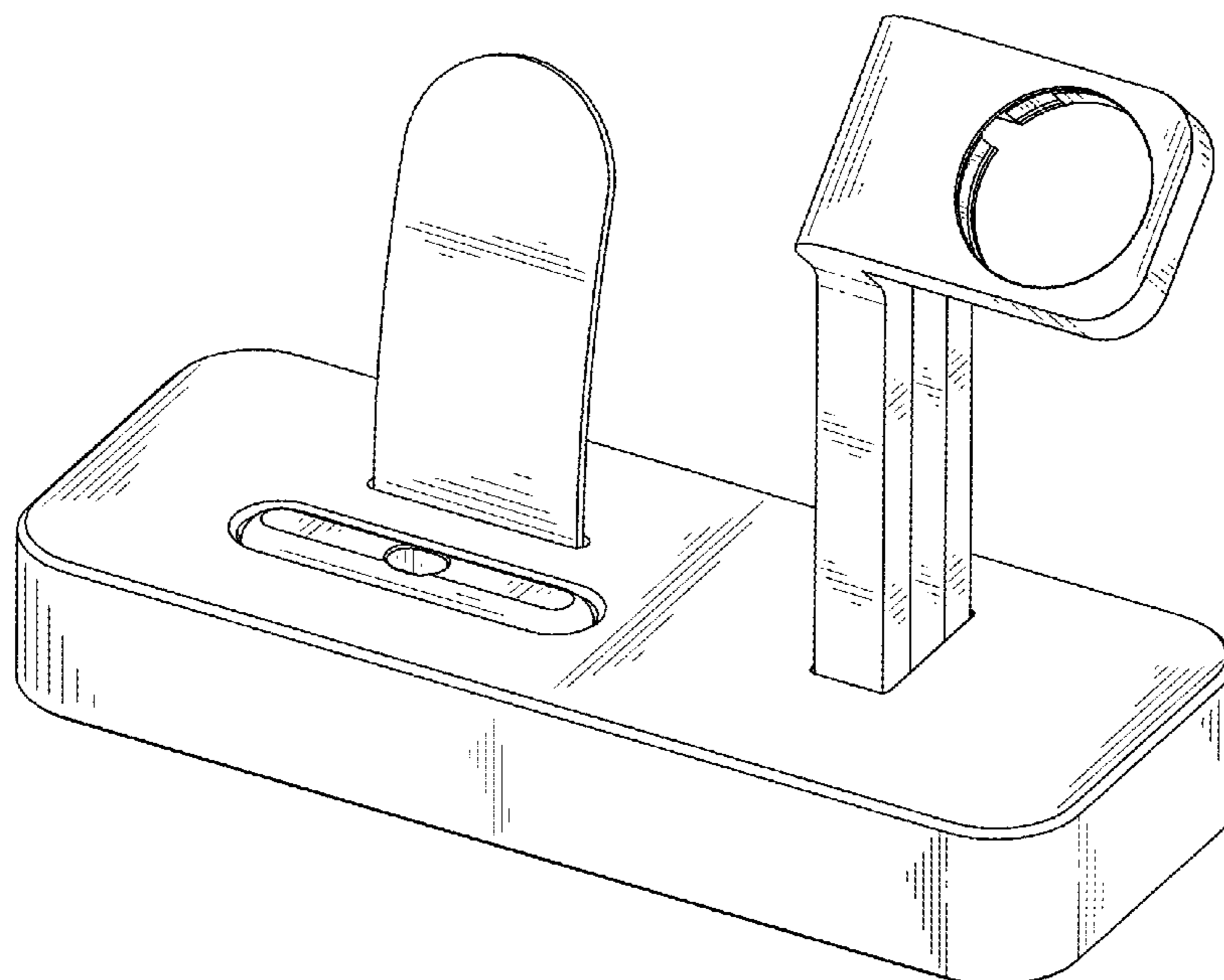
(57) **CLAIM**

The ornamental design for a charging stand for portable electronic devices, as shown and described.

**DESCRIPTION**

FIG. 1 is a front perspective view of a charging stand for portable electronic devices showing my new design; FIG. 2 is a rear perspective view thereof; FIG. 3 is a front elevational view thereof; FIG. 4 is a rear elevational view thereof; FIG. 5 is a right side view thereof; FIG. 6 is a left side view thereof; FIG. 7 is a top plan view thereof; FIG. 8 is a bottom plan view thereof; and, FIG. 9 is a perspective view showing the charging stand for portable electronic devices in a use state. The broken lines in the FIG. 9 depict electronic devices to be charged which form no part of the claimed design.

**1 Claim, 9 Drawing Sheets**



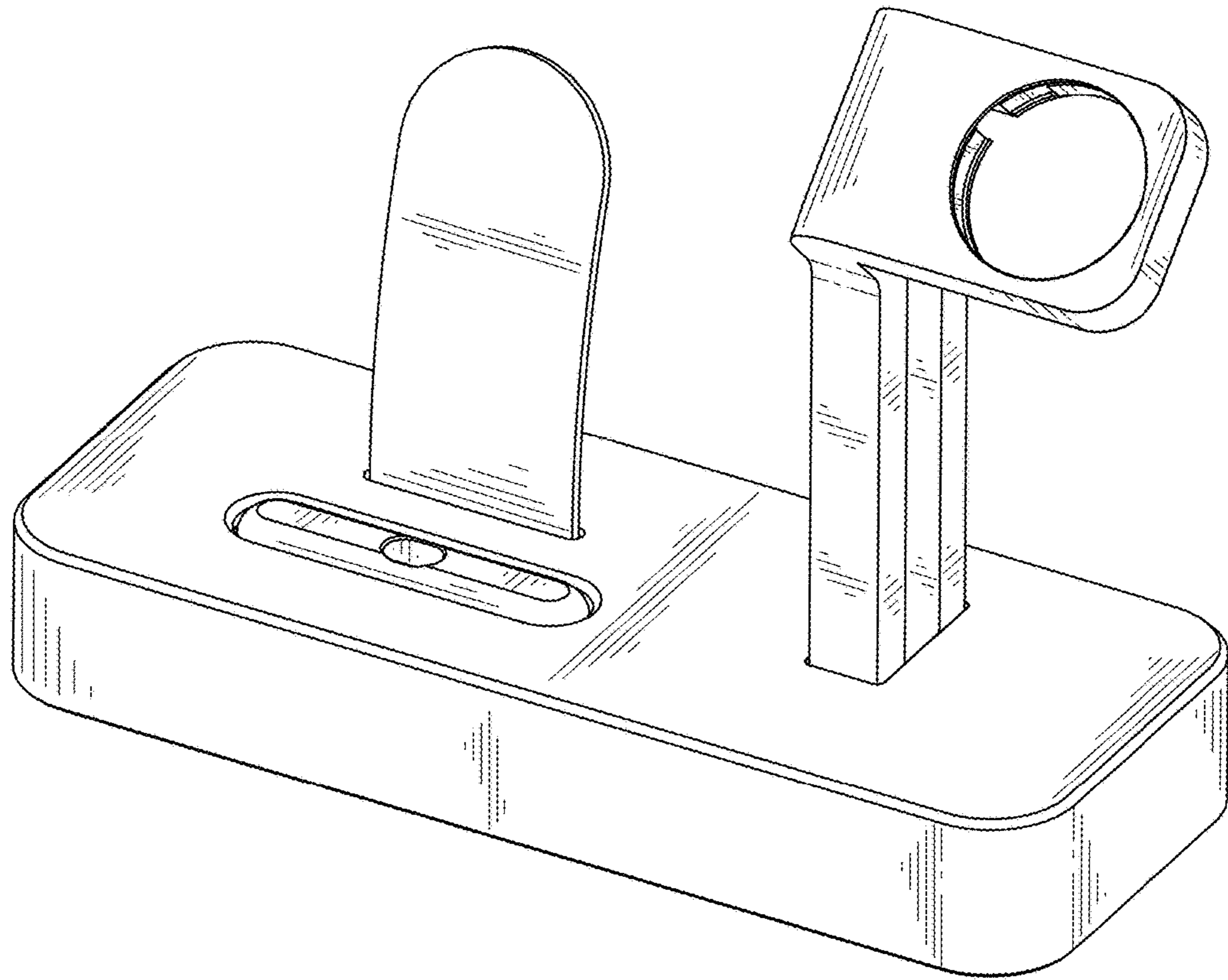


FIG. 1

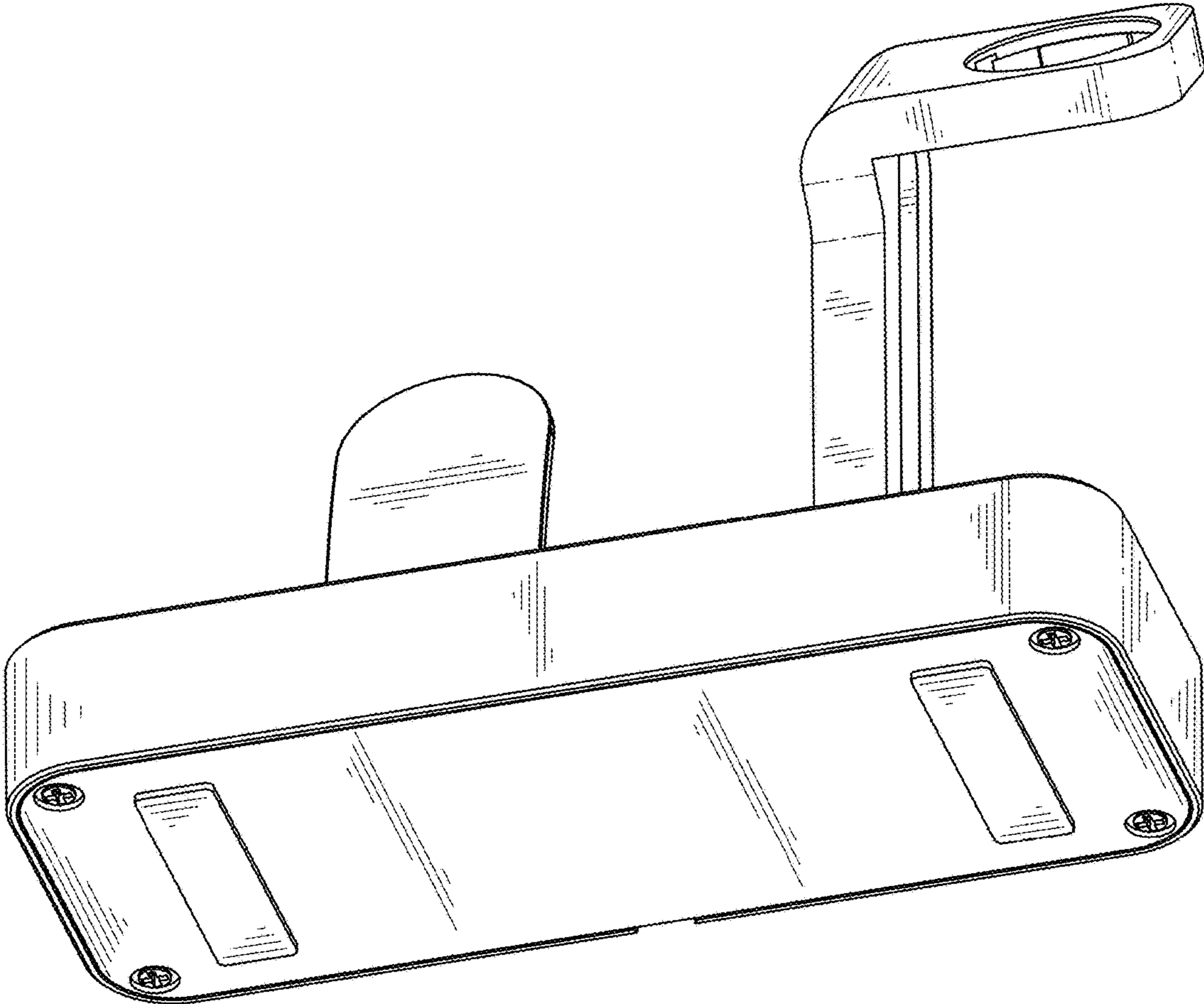


FIG. 2

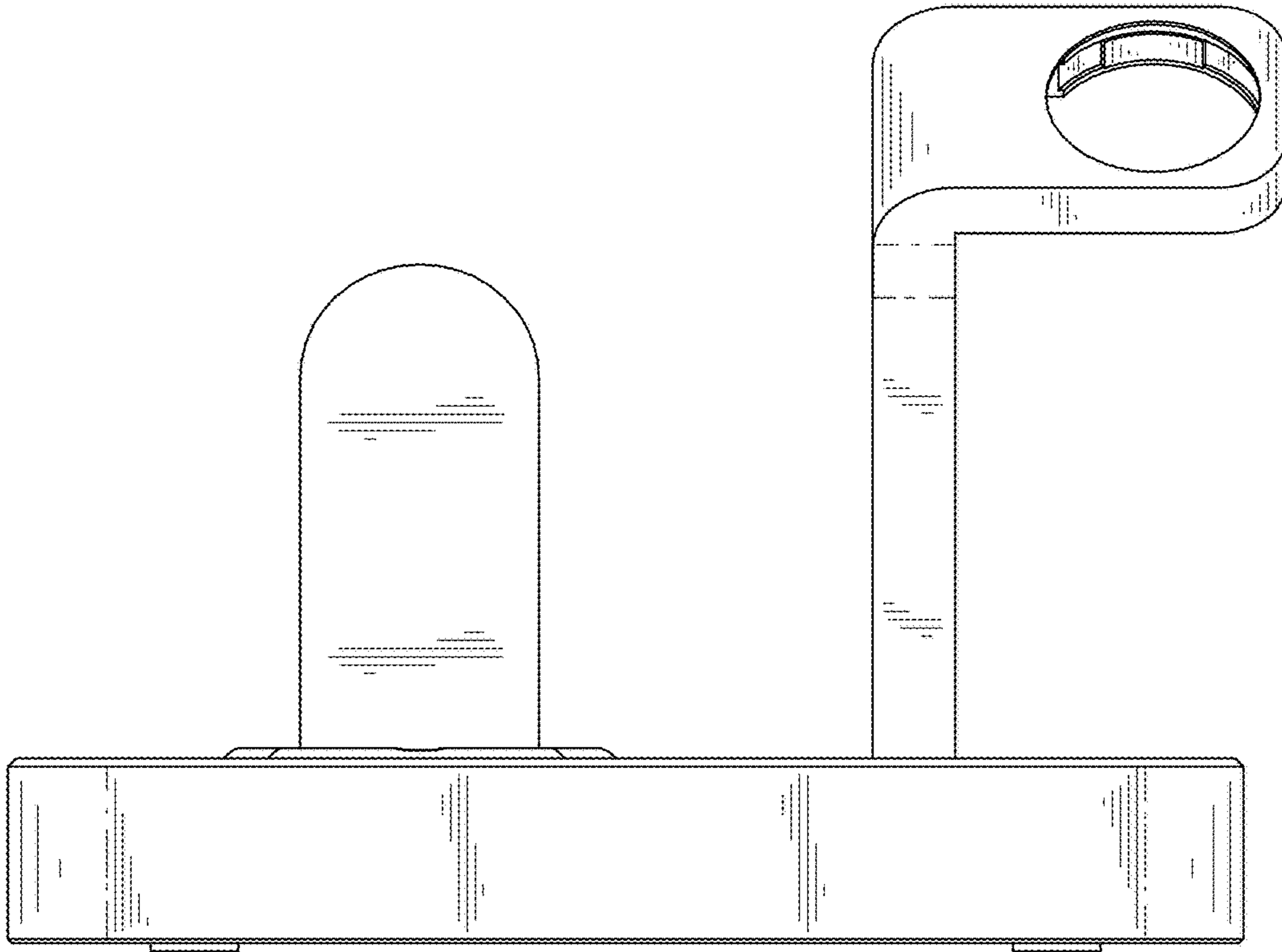


FIG. 3

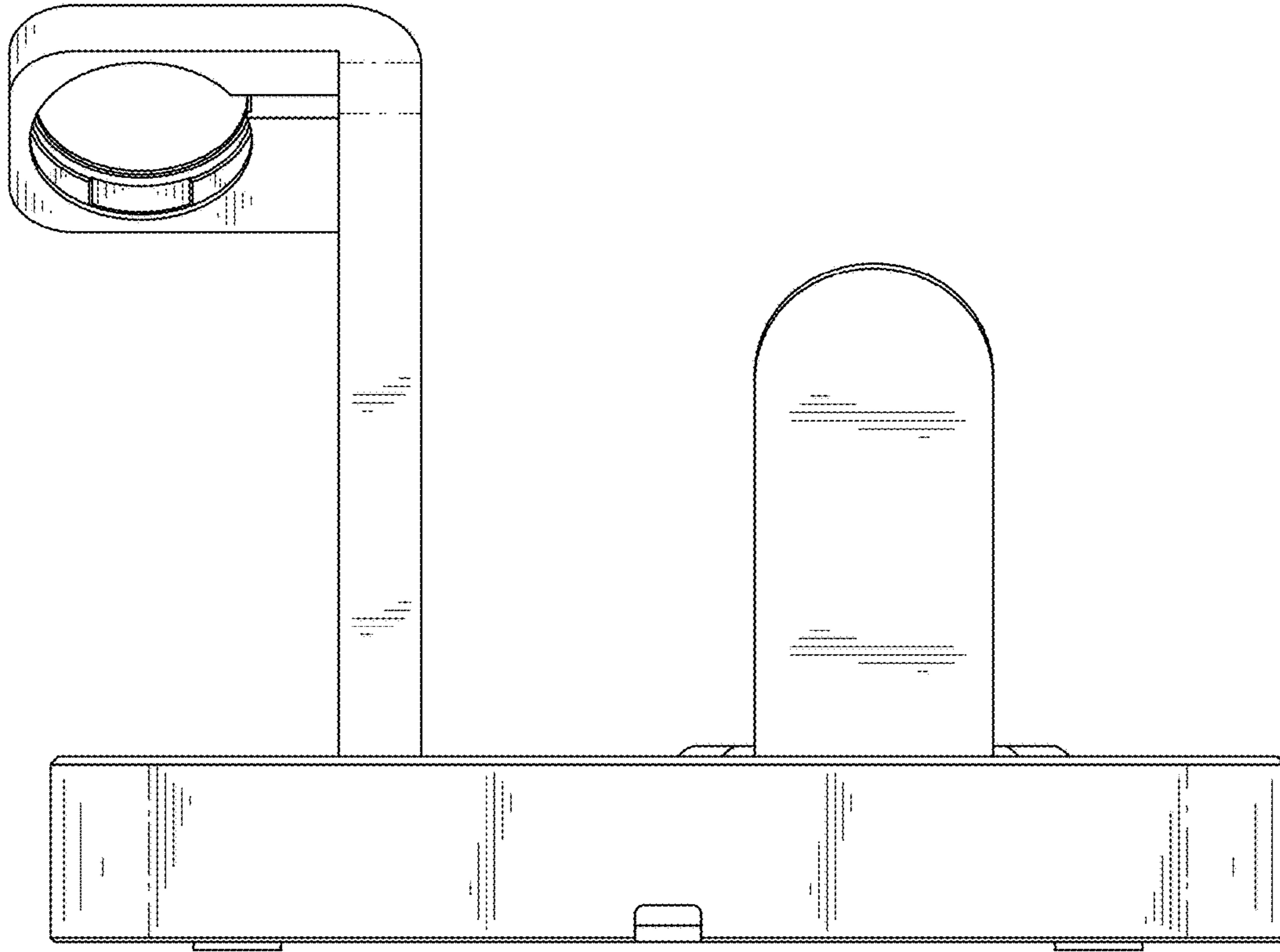


FIG. 4

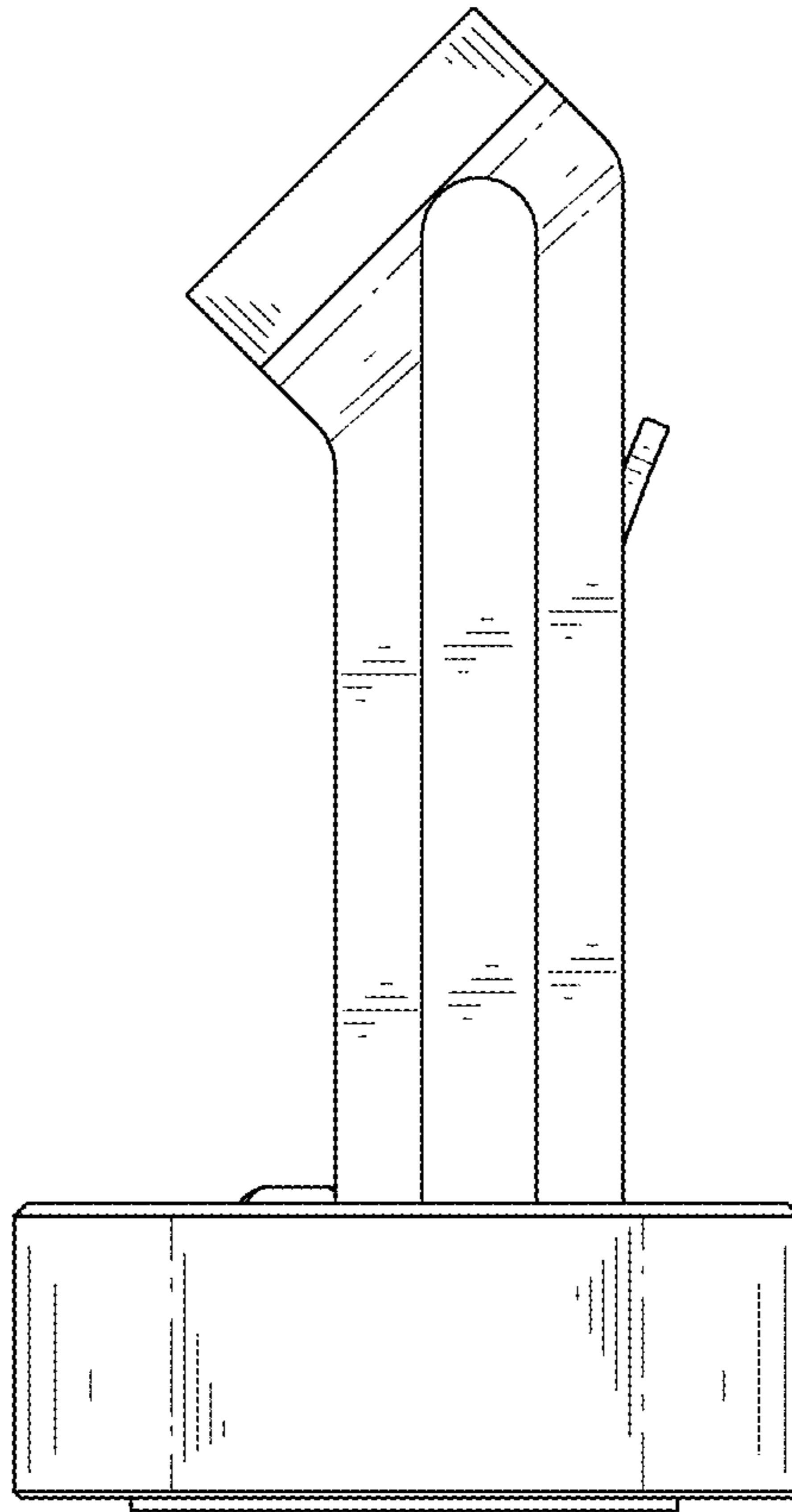


FIG. 5

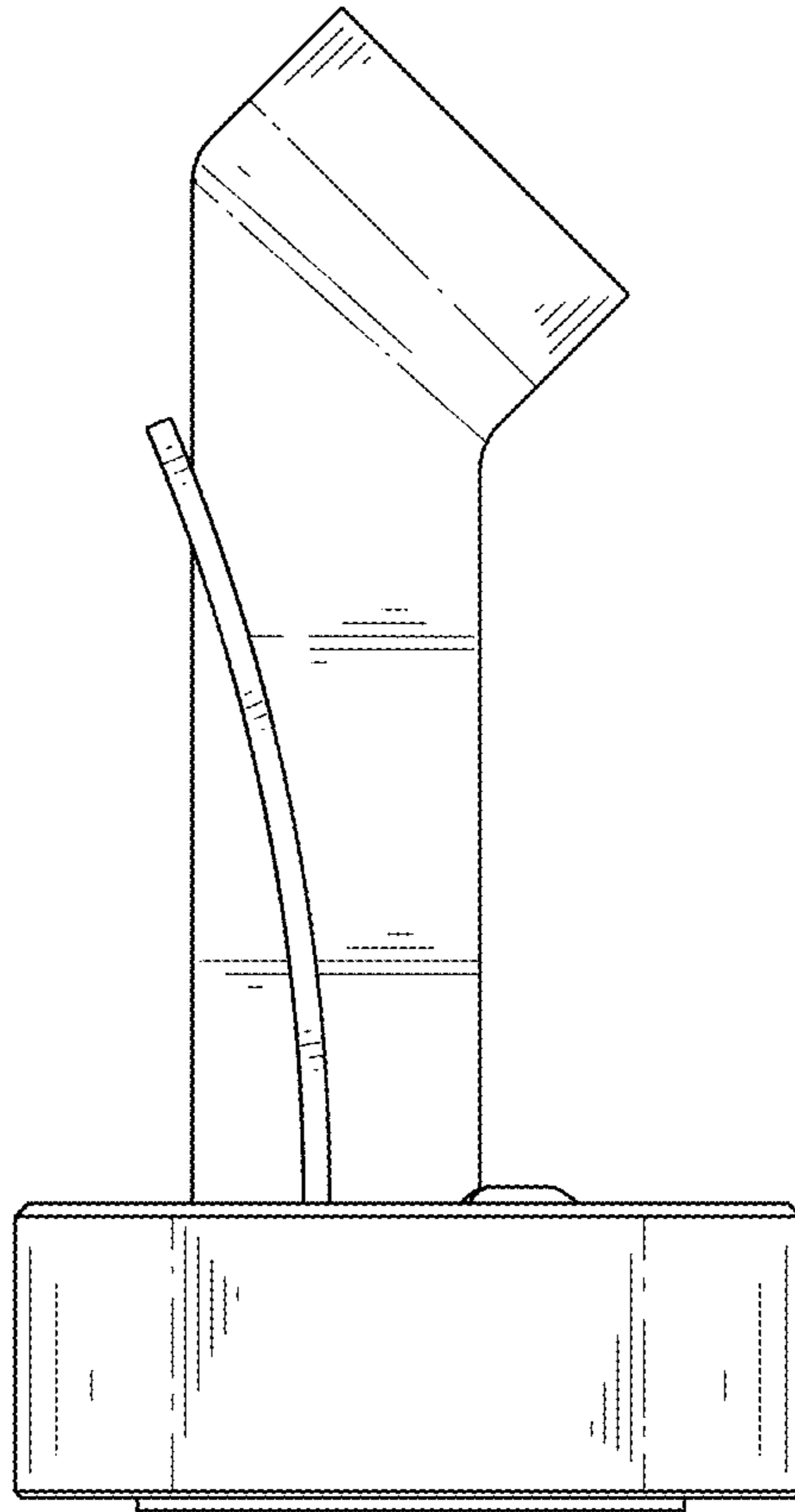


FIG. 6

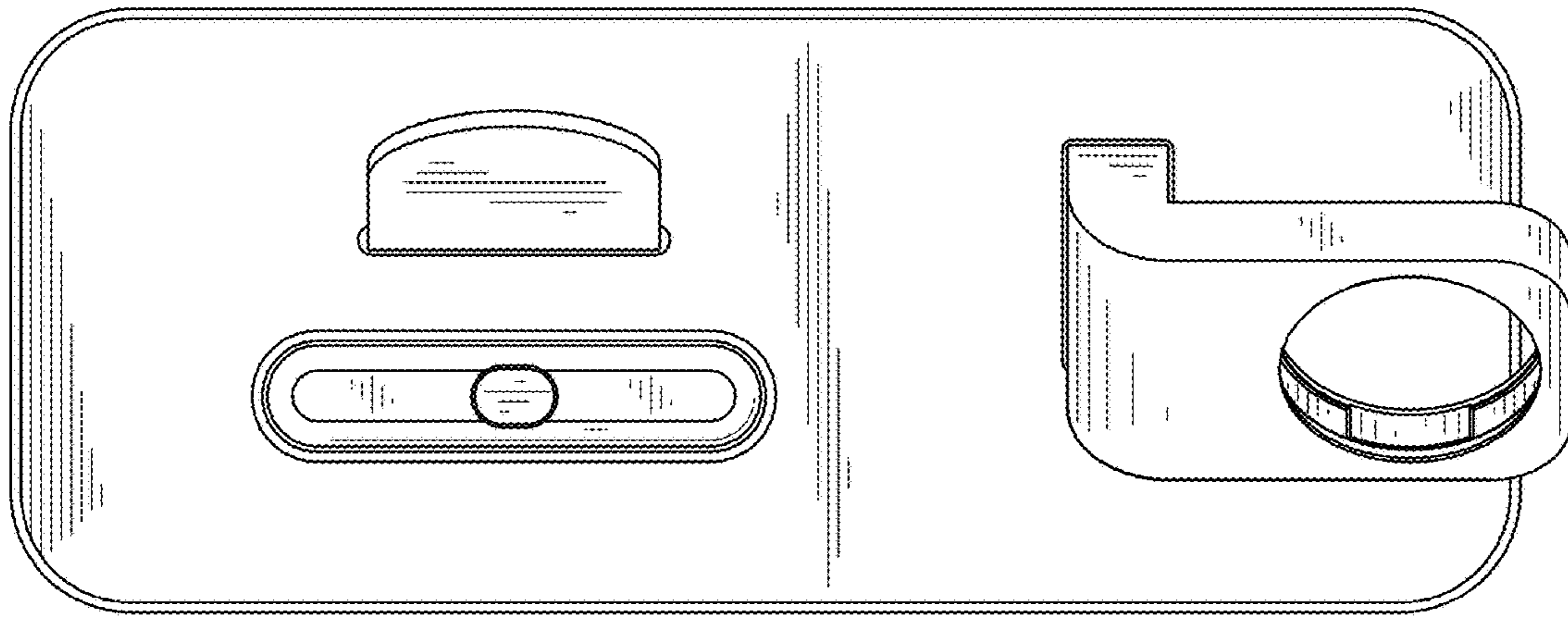


FIG. 7



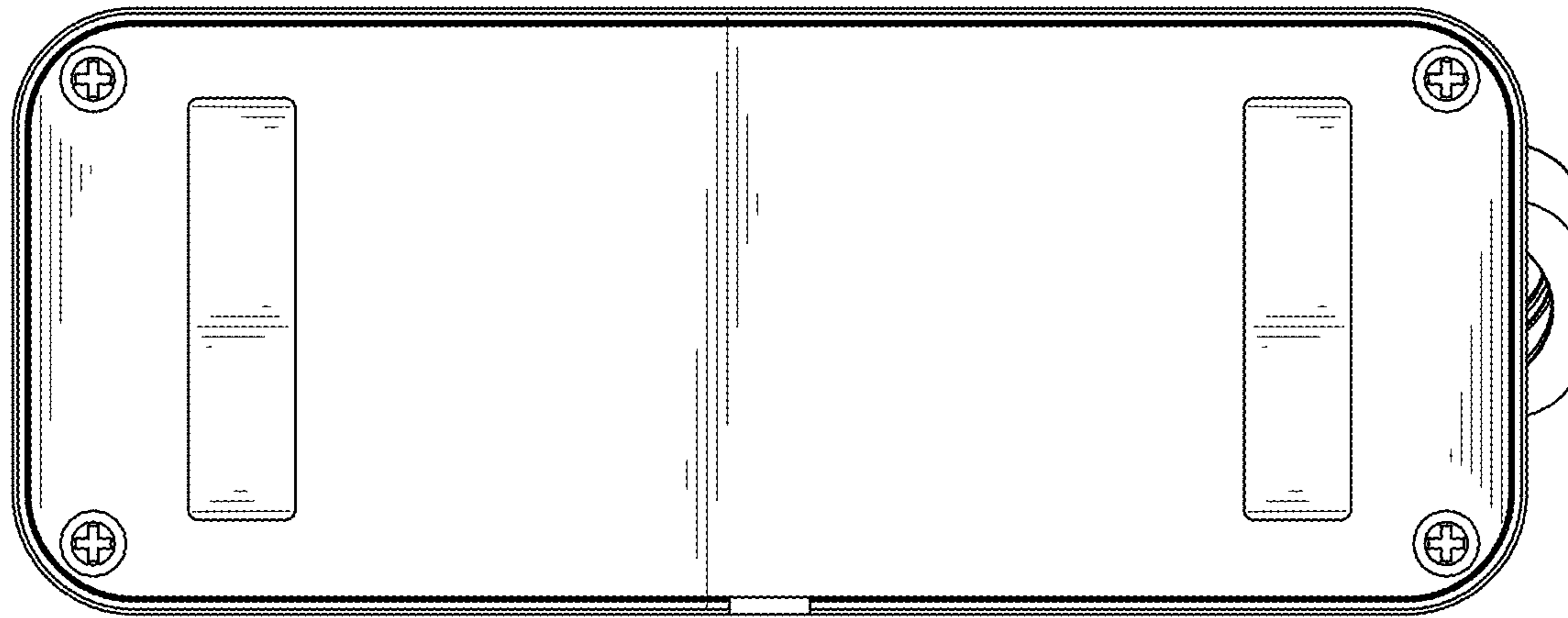


FIG. 8

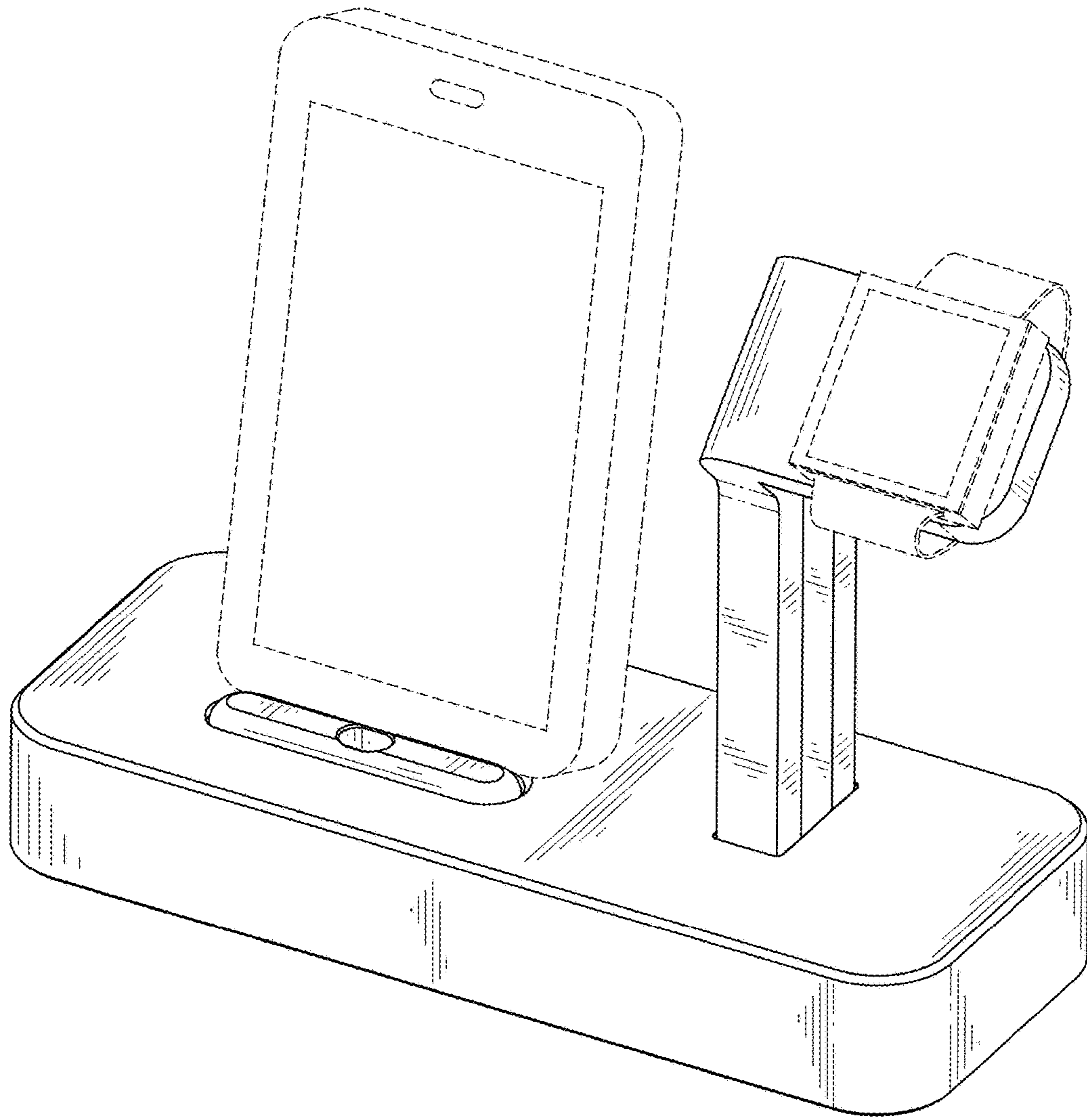


FIG. 9