



US00D813803S

(12) **United States Design Patent** (10) **Patent No.:** **US D813,803 S**
Massar (45) **Date of Patent:** **** Mar. 27, 2018**

(54) **POWER BANK**

(71) Applicant: **Westhill Innovation, LLC,**
Mukwonago, WI (US)

(72) Inventor: **Luke G. Massar,** Mukwonago, WI
(US)

(**) Term: **15 Years**

(21) Appl. No.: **29/573,456**

(22) Filed: **Aug. 5, 2016**

(51) **LOC (11) Cl.** **13-02**

(52) **U.S. Cl.**
USPC **D13/108**

(58) **Field of Classification Search**
USPC D13/118–119, 184, 102–110, 199;
D14/251, 253, 432, 434, 356
CPC Y02E 60/12; Y02T 90/14; Y02T 90/122;
Y02T 90/128; Y02T 90/163; H02J 7/025;
H02J 7/0042; H02J 7/0044; H02J 7/0045;
H02J 7/0003; H01F 38/14; H01R
13/6675; H01M 2/1022; H01M 2/1055;
H01M 10/44; H01M 10/46; H01M
10/425; B60L 11/182
See application file for complete search history.

(56) **References Cited**

U.S. PATENT DOCUMENTS

D586,741 S *	2/2009	Song	D13/103
D592,130 S *	5/2009	Tatehata	D13/103
D635,142 S *	3/2011	Borislow	D14/435.1
D751,985 S *	3/2016	Curry	D13/103
D760,721 S *	7/2016	Akana	D14/434
D769,877 S *	10/2016	Akana	D14/433
D770,456 S *	11/2016	Akana	D14/433

D774,514 S *	12/2016	Turksu	D14/480.5
D781,786 S *	3/2017	Akana	D13/147
D783,526 S *	4/2017	Warren	D13/108
D792,409 S *	7/2017	Shim	D14/435
2008/0214248 A1	9/2008	Hensel		
2012/0187902 A1	7/2012	Wang		
2013/0230752 A1*	9/2013	Fujihara	H01M 2/1235 429/82
2013/0273983 A1	10/2013	Hsu		
2013/0314880 A1	11/2013	Sun et al.		
2014/0184139 A1	7/2014	Wen		
2016/0380457 A1*	12/2016	Criss	H02J 7/0045 320/107

* cited by examiner

Primary Examiner — Rosemary K Tarcza

Assistant Examiner — Alison M Ofstun

(74) *Attorney, Agent, or Firm* — Manatt, Phelps & Phillips, LLP

(57) **CLAIM**

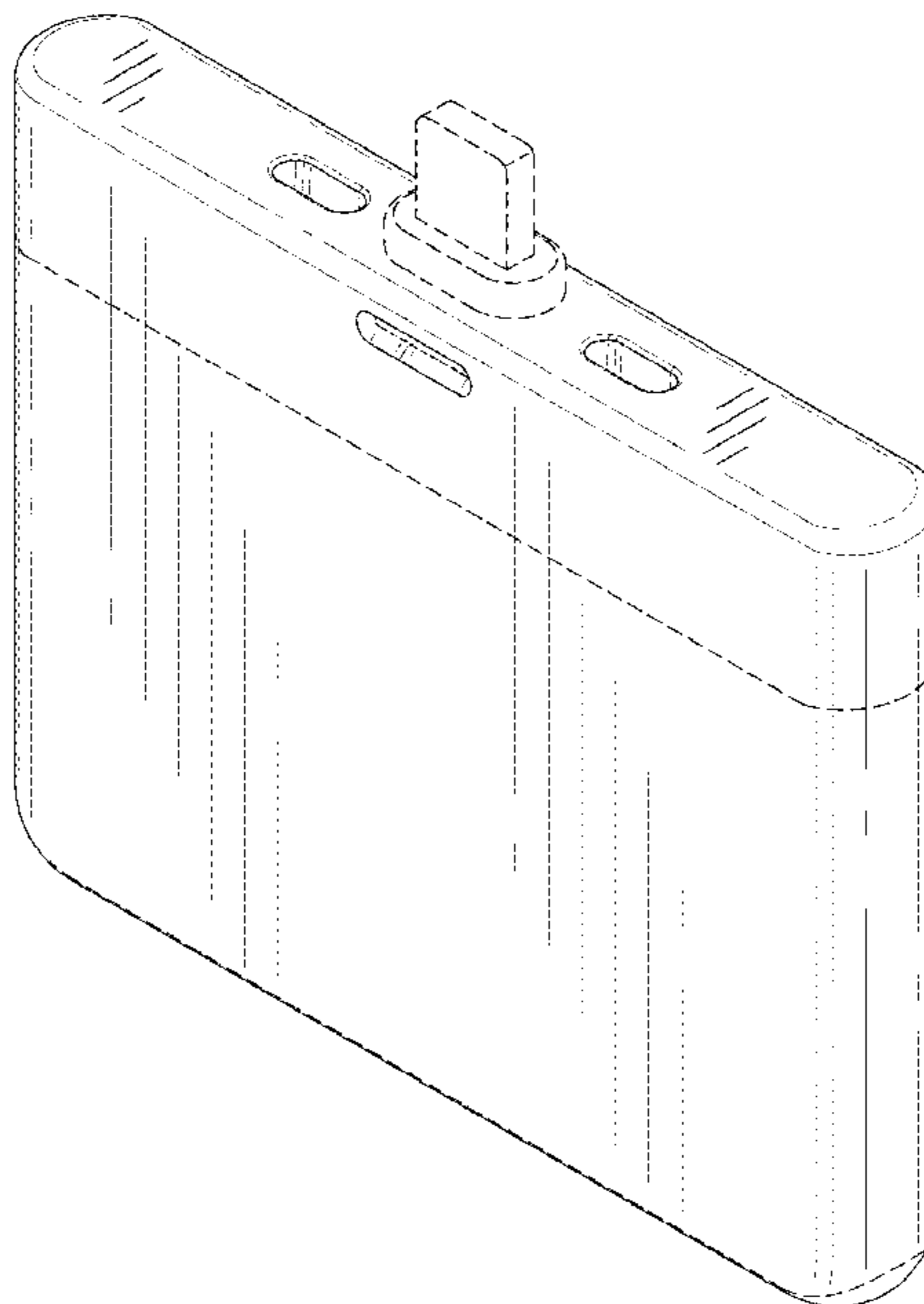
The ornamental design for a power bank, as shown and described.

DESCRIPTION

FIG. 1 is a front, top, and right side perspective view of a power bank;
FIG. 2 is a front view thereof, the rear side being a mirror image thereof;
FIG. 3 is a top view thereof;
FIG. 4 is a bottom view thereof; and,
FIG. 5 is a left side view thereof, the right side being a mirror image thereof.

The broken lines present in the drawings are included for the purpose of illustrating portions of the article which form no part of the claimed design.

1 Claim, 3 Drawing Sheets



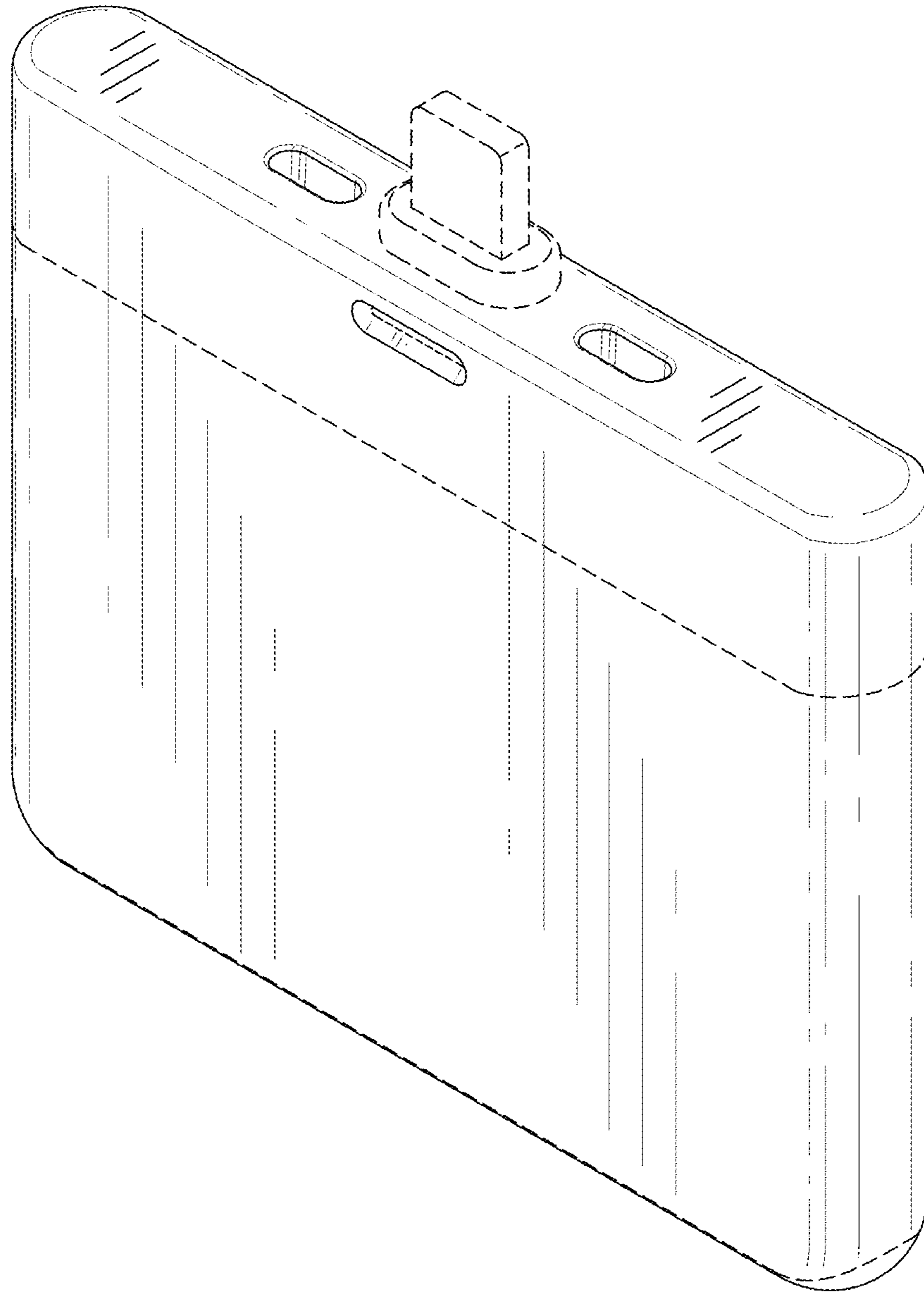


FIG. 1

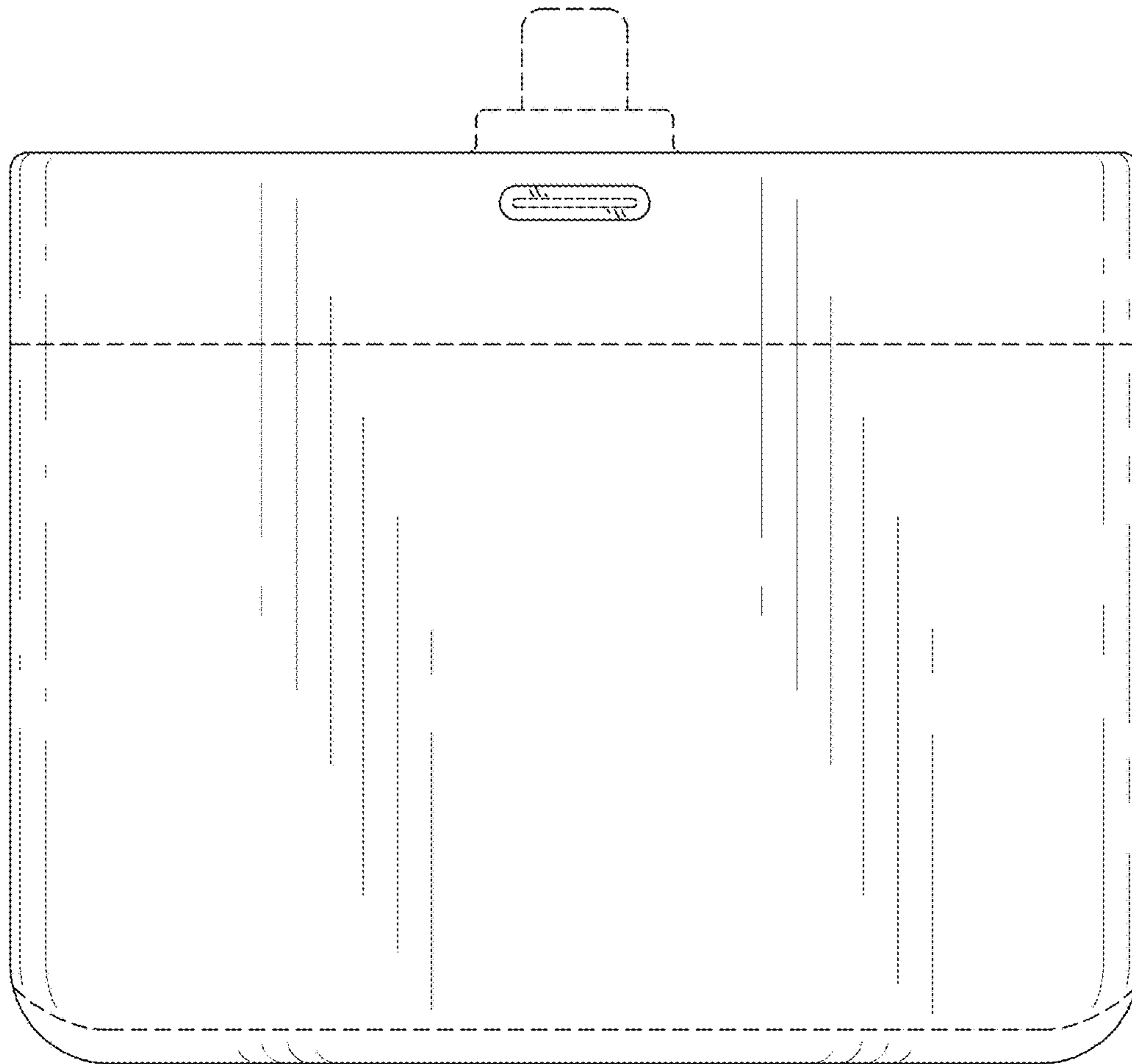


FIG. 2

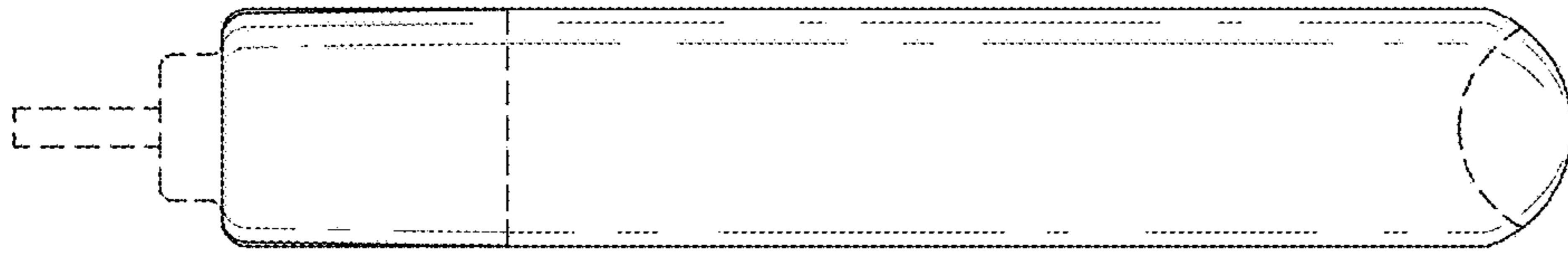


FIG. 5

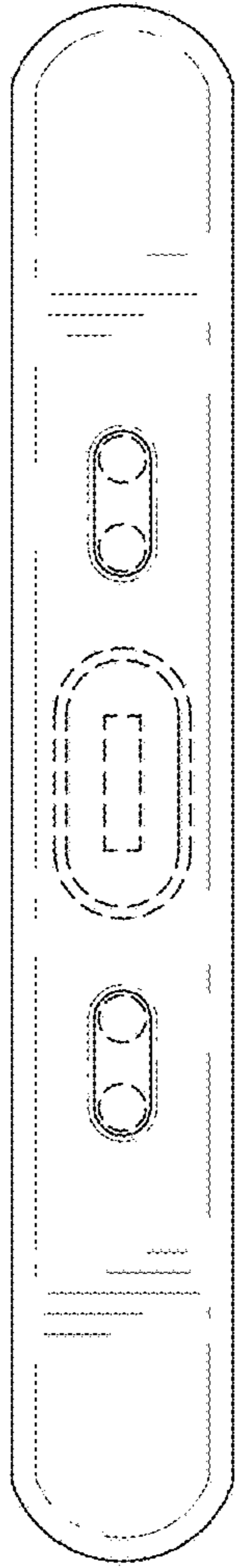


FIG. 3

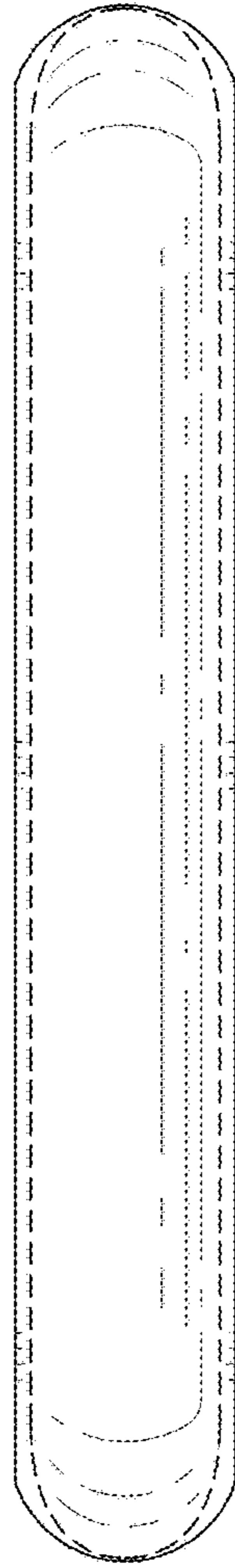


FIG. 4