



US00D813802S

(12) **United States Design Patent** (10) **Patent No.:** **US D813,802 S**
Krantz et al. (45) **Date of Patent:** **** Mar. 27, 2018**

- (54) **SOLAR PANEL**
- (71) Applicant: **Goal Zero LLC**, Bluffdale, UT (US)
- (72) Inventors: **Norman L. Krantz**, Draper, UT (US);
Henry J. Howell, Herriman, UT (US);
Fred Lillywhite, Cottonwood Heights,
UT (US)
- (73) Assignee: **Goal Zero LLC**, Bluffdale, UT (US)
- (**) Term: **15 Years**
- (21) Appl. No.: **29/591,985**
- (22) Filed: **Jan. 25, 2017**

D716,219 S *	10/2014	Quinlan	D13/102
D717,987 S	11/2014	Prommel et al.	
D723,205 S	2/2015	Prommel et al.	
D724,012 S	3/2015	Zhan	
D729,156 S	5/2015	Nook et al.	
D731,408 S	6/2015	Ko	
D734,248 S	7/2015	Nook et al.	
D755,119 S *	5/2016	Munshi	D13/102
D778,234 S *	2/2017	Cheung	D13/102
D781,229 S *	3/2017	Krantz	D13/102
D796,430 S *	9/2017	Gramm	D13/102
D801,914 S *	11/2017	Bauer	D13/102
D806,931 S *	1/2018	Hui	D26/102
D807,285 S *	1/2018	Krantz	D13/102

(Continued)

Related U.S. Application Data

- (63) Continuation of application No. 29/535,211, filed on Aug. 4, 2015, now Pat. No. Des. 807,285.
- (51) **LOC (11) Cl.** **13-02**
- (52) **U.S. Cl.**
USPC **D13/102**
- (58) **Field of Classification Search**
USPC D13/102, 101, 103, 118, 119, 184, 199;
126/561, 667; 136/206, 244, 251, 291,
136/292; 438/597; D6/301, 311
CPC Y02E 10/47; Y02E 10/50; Y02E 10/52;
H02S 20/00; F24J 2/5237; H01L 31/00;
H01L 31/02002; H01L 31/02008; H01L
31/042
See application file for complete search history.

References Cited

U.S. PATENT DOCUMENTS

D265,452 S *	7/1982	Keller	D6/301
D599,286 S	9/2009	Horito et al.	
D625,251 S	10/2010	Workman et al.	
D697,864 S	1/2014	McGrath	
D701,488 S	3/2014	Lim	

OTHER PUBLICATIONS

U.S. Appl. No. 13/111,442, filed Dec. 1, 2011, Workman et al.
(Continued)

Primary Examiner — Derrick Holland
Assistant Examiner — Jennifer O King
(74) *Attorney, Agent, or Firm* — Foley & Lardner LLP

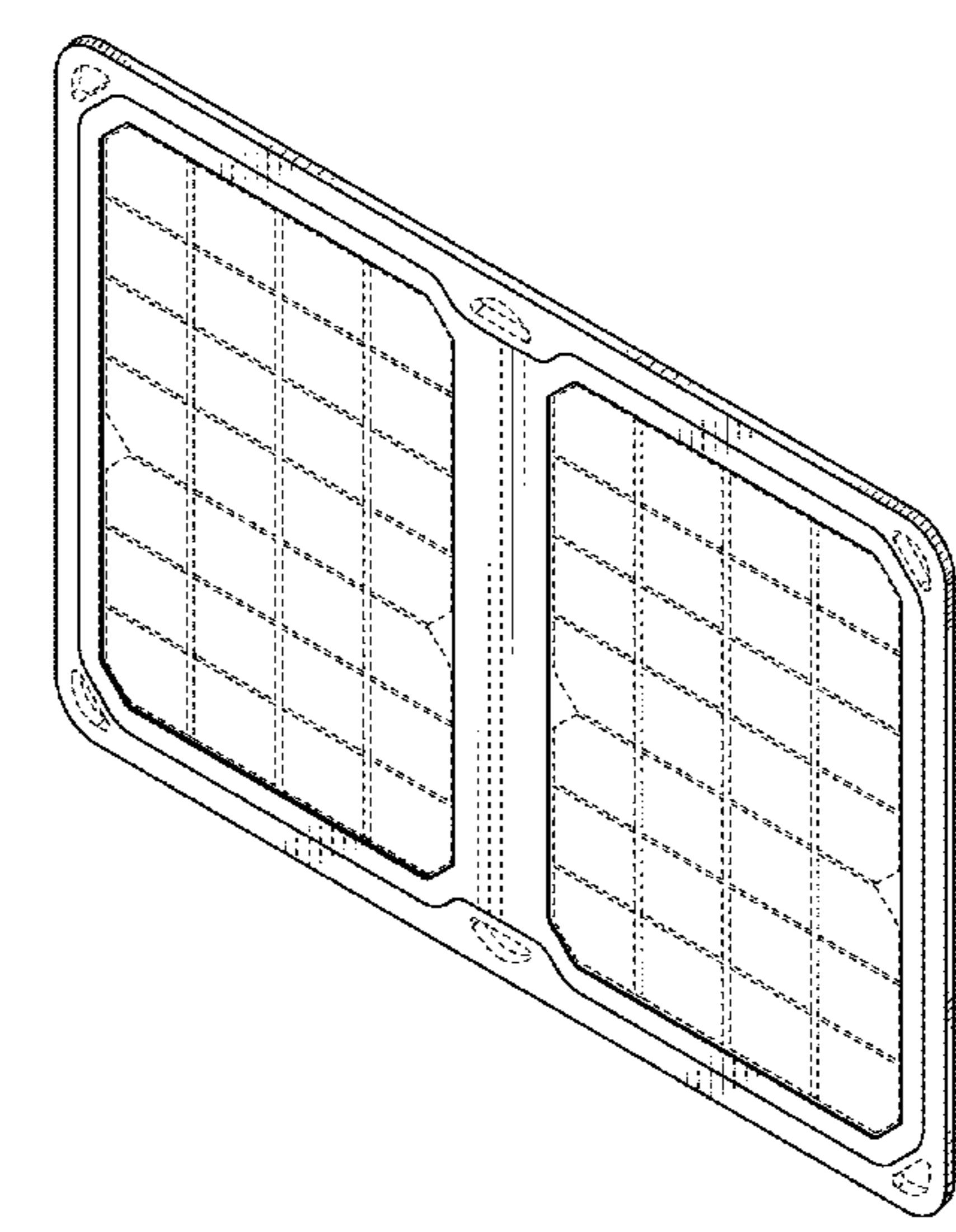
CLAIM

We claim the ornamental design for a solar panel, as shown and described.

DESCRIPTION

FIG. 1 is a front perspective view of a solar panel of the claimed design;
FIG. 2 is a front view thereof;
FIG. 3 is a rear view thereof;
FIG. 4 is a left side view thereof;
FIG. 5 is a right side view thereof;
FIG. 6 is a top view thereof; and,
FIG. 7 is a bottom view thereof.
The broken lines shown represent portions of the solar panel that form no part of the claimed design.

1 Claim, 5 Drawing Sheets



(56)

References Cited

U.S. PATENT DOCUMENTS

2011/0162690 A1 7/2011 Workman et al.

OTHER PUBLICATIONS

U.S. Appl. No. 14/096,837, filed Jun. 12, 2014, Goal Zero LLC.
U.S. Appl. No. 14/191,070, filed Aug. 28, 2014, Goal Zero LLC.
U.S. Appl. No. 12/945,583, filed Nov. 12, 2010, Workman et al.
U.S. Appl. No. 61/262,796, filed Nov. 19, 2009, Workman, et al.
U.S. Appl. No. 61/335,463, filed Jan. 6, 2010, Workman, et al.
U.S. Appl. No. 62/201,062, filed Aug. 4, 2015, Goal Zero LLC.
U.S. Appl. No. 62/201,100, filed Aug. 4, 2015, Goal Zero LLC.

* cited by examiner

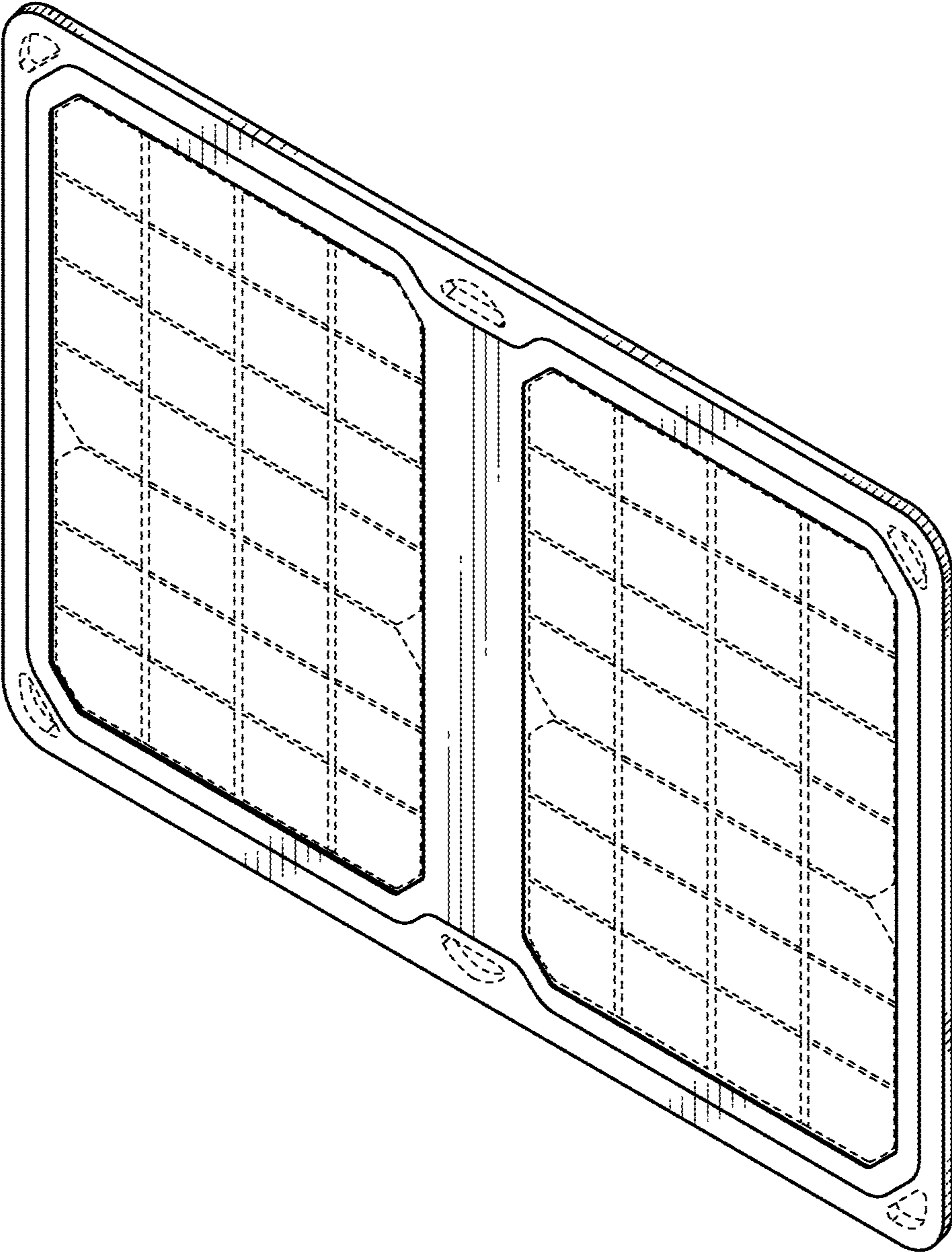


FIG. 1

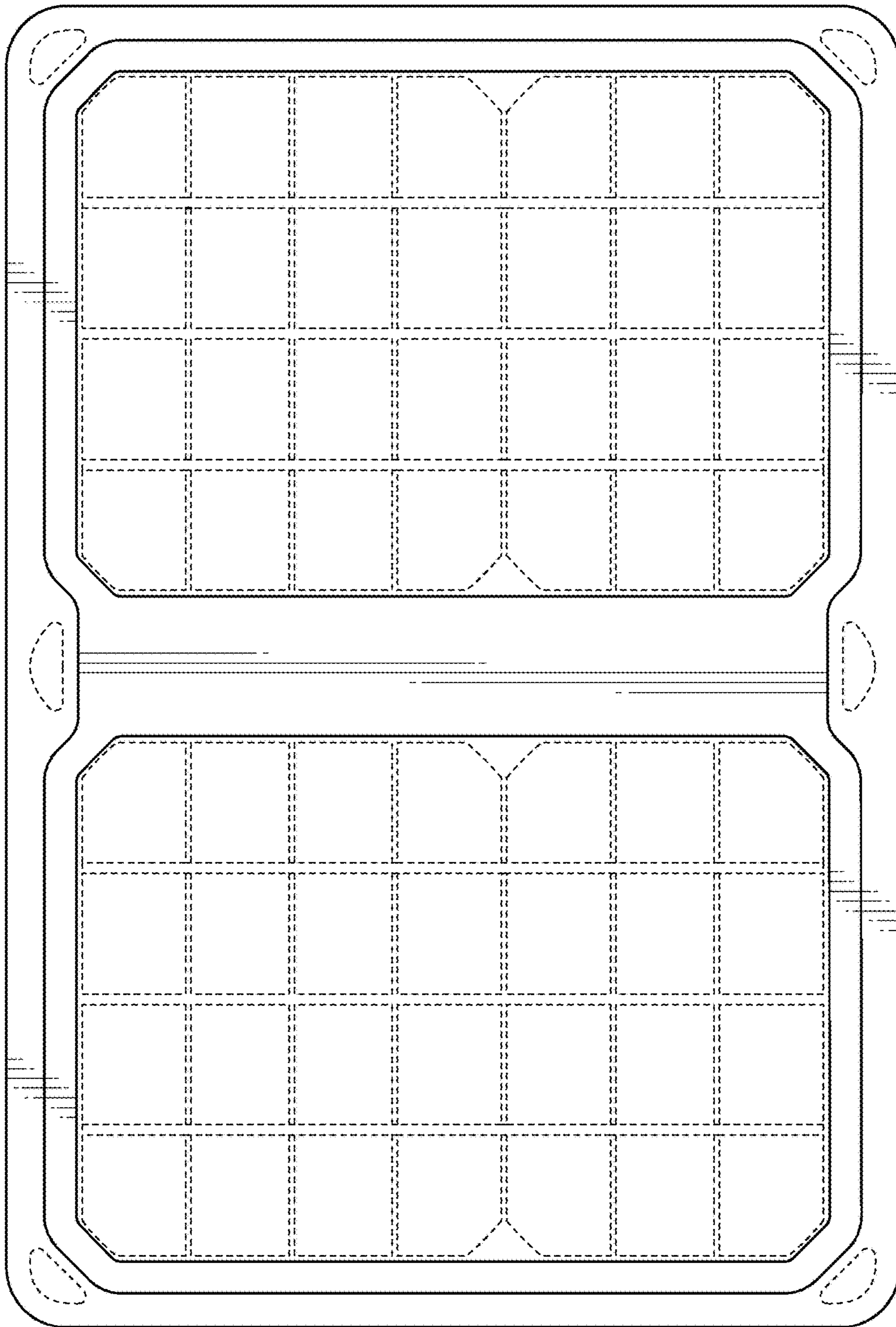


FIG. 2

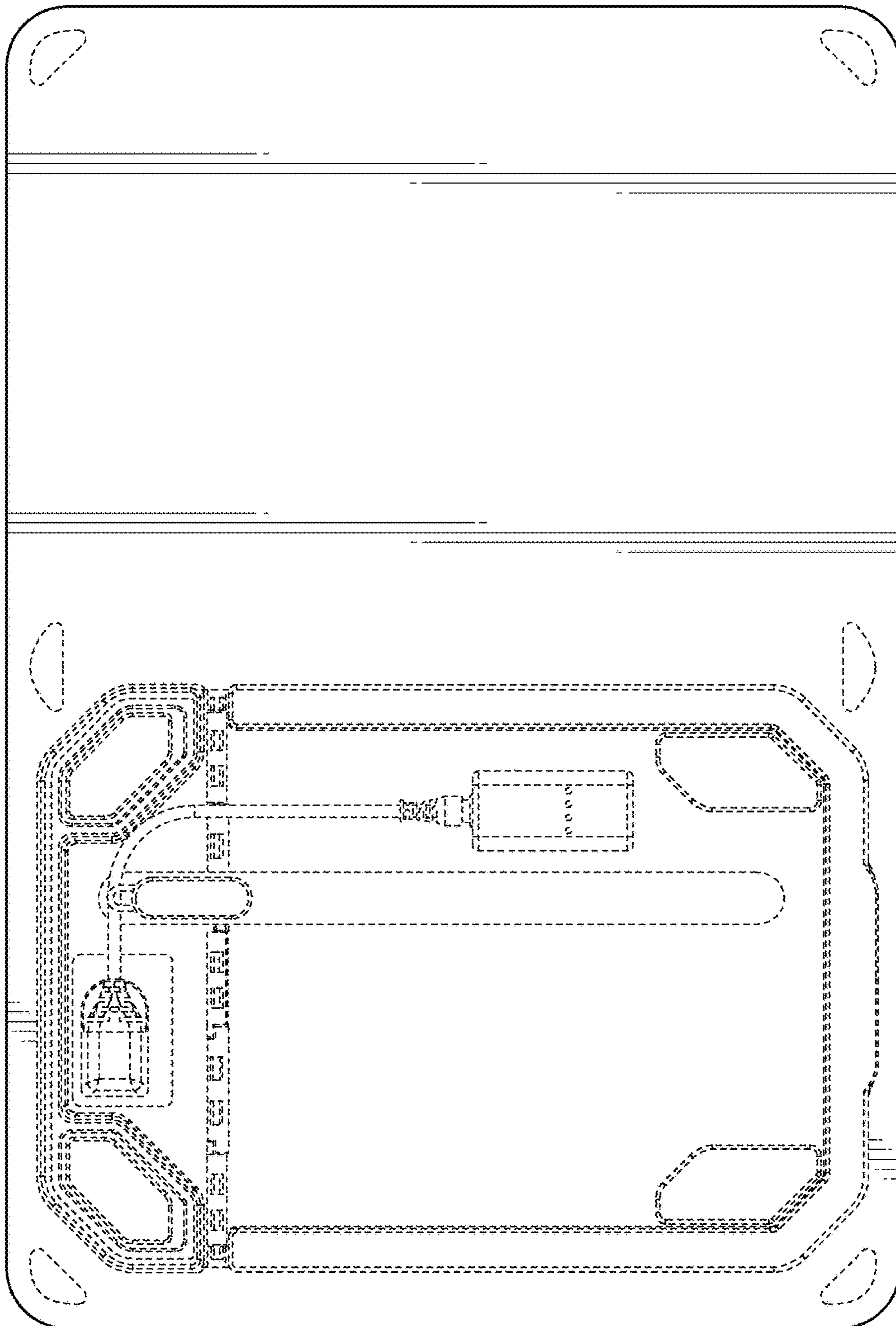


FIG. 3

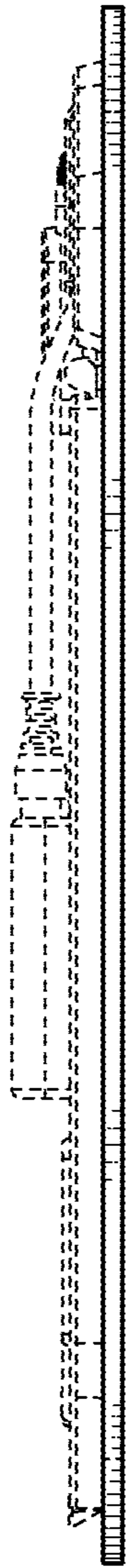


FIG. 4

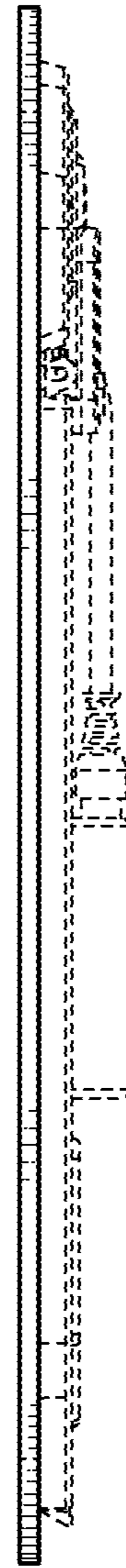


FIG. 5

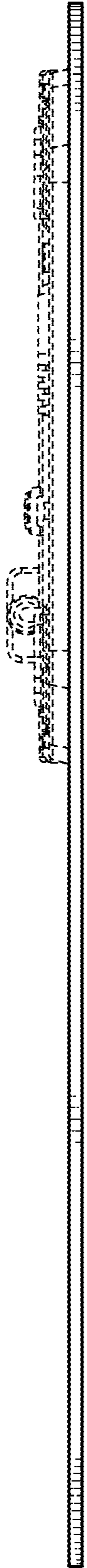


FIG. 6

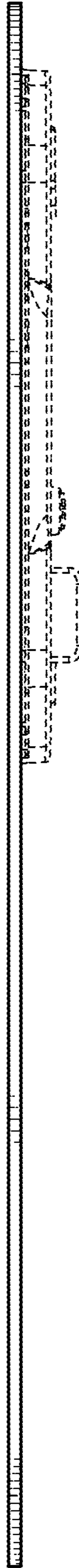


FIG. 7