



US00D813800S

(12) **United States Design Patent**
Mori et al.

(10) **Patent No.:** **US D813,800 S**
(45) **Date of Patent:** **** Mar. 27, 2018**

(54) **CONCENTRATOR PHOTOVOLTAIC UNIT**

(71) Applicant: **Sumitomo Electric Industries, Ltd.**,
Osaka-shi (JP)

(72) Inventors: **Koji Mori**, Osaka (JP); **Takashi Iwasaki**, Osaka (JP); **Masao Moriguchi**, Osaka (JP); **Yoshiya Abiko**, Osaka (JP)

(73) Assignee: **Sumitomo Electric Industries, Ltd.**,
Osaka-shi (JP)

(**) Term: **15 Years**

(21) Appl. No.: **29/577,815**

(22) Filed: **Sep. 15, 2016**

(30) **Foreign Application Priority Data**

Mar. 23, 2016 (JP) 2016-006287
Mar. 23, 2016 (JP) 2016-006288

(51) **LOC (11) Cl.** **13-02**

(52) **U.S. Cl.**
USPC **D13/102**

(58) **Field of Classification Search**
USPC D6/300, 310, 314; D8/354; D13/101,
D13/102, 103, 118, 119, 184, 199;
(Continued)

(56) **References Cited**

U.S. PATENT DOCUMENTS

6,396,239 B1 * 5/2002 Benn F24J 2/36
307/150
D611,404 S * 3/2010 Mackler D13/102
(Continued)

FOREIGN PATENT DOCUMENTS

JP 2013-004684 A 1/2013

OTHER PUBLICATIONS

CPV technology, posted at Cpvconsortium.org, posted on Aug. 11, 2014, [online], [site visited Jul. 21, 2017]. Available from Internet, <<https://web.archive.org/web/20140811085727/http://cpvconsortium.org/>>.*

(Continued)

Primary Examiner — Mary Ann Calabrese

Assistant Examiner — Catherine Ho

(74) *Attorney, Agent, or Firm* — Venable LLP; Michael A. Sartori; Laura G. Remus

(57) **CLAIM**

The ornamental design for a concentrator photovoltaic unit, as shown and described.

DESCRIPTION

FIG. 1 is a first perspective view of a concentrator photovoltaic unit showing our new design;
FIG. 2 is a second perspective view thereof;
FIG. 3 is a front view thereof;
FIG. 4 is a rear view thereof;
FIG. 5 is a top view thereof;
FIG. 6 is a bottom view thereof;
FIG. 7 is a right side view thereof;
FIG. 8 is a left side view thereof;
FIG. 9 is an enlarged view of IX portion of FIG. 2;
FIG. 10 is an enlarged view of X-X portion of FIG. 5;
FIG. 11 is an enlarged view of XI-XI portion of FIG. 6;
FIG. 12 is an enlarged view of XII-XII portion of FIG. 6;
FIG. 13 is an enlarged view of XIII-XIII portion of FIG. 8;
FIG. 14 is a first referential alternate perspective view of the front;
FIG. 15 is an enlarged view of XV portion of FIG. 14;
FIG. 16 is a second referential perspective view of the front;
FIG. 17 is an enlarged view of XVII portion of FIG. 16;
FIG. 18 is a third referential alternate perspective view of the rear;
FIG. 19 is an enlarged view of XIX portion of FIG. 18;
FIG. 20 is a fourth referential perspective view of the rear;
FIG. 21 is an enlarged view of XXI portion of FIG. 20;
FIG. 22 is a fifth referential alternate perspective view of the rear;
FIG. 23 is an enlarged view of XXIII portion of FIG. 22;
FIG. 24 is a sixth referential alternate perspective view of the rear;
FIG. 25 is an enlarged view of XXV portion of FIG. 24;
FIG. 26 is a seventh referential alternate perspective view of the rear;
FIG. 27 is an enlarged view of XXVII portion of FIG. 26;

(Continued)

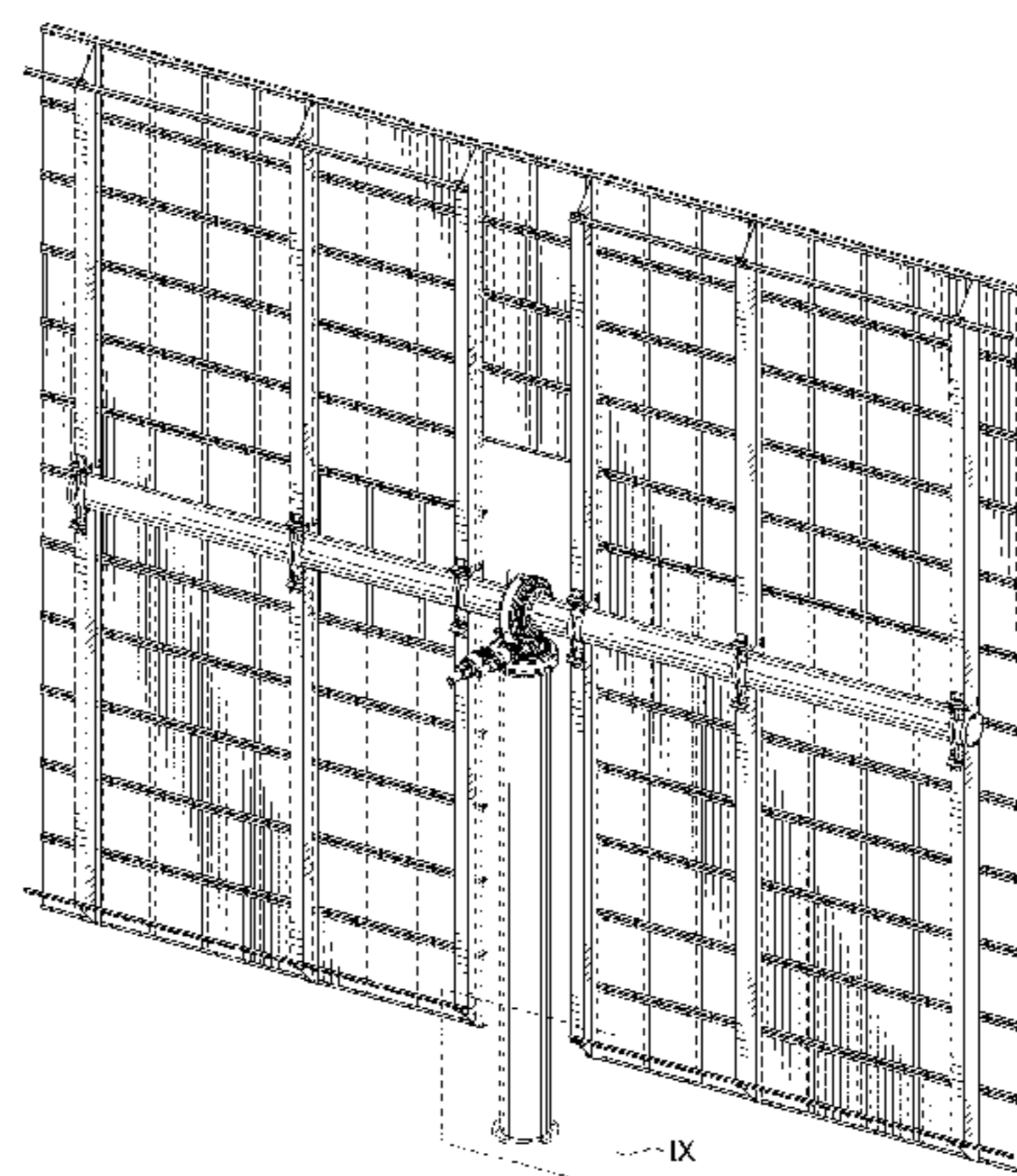
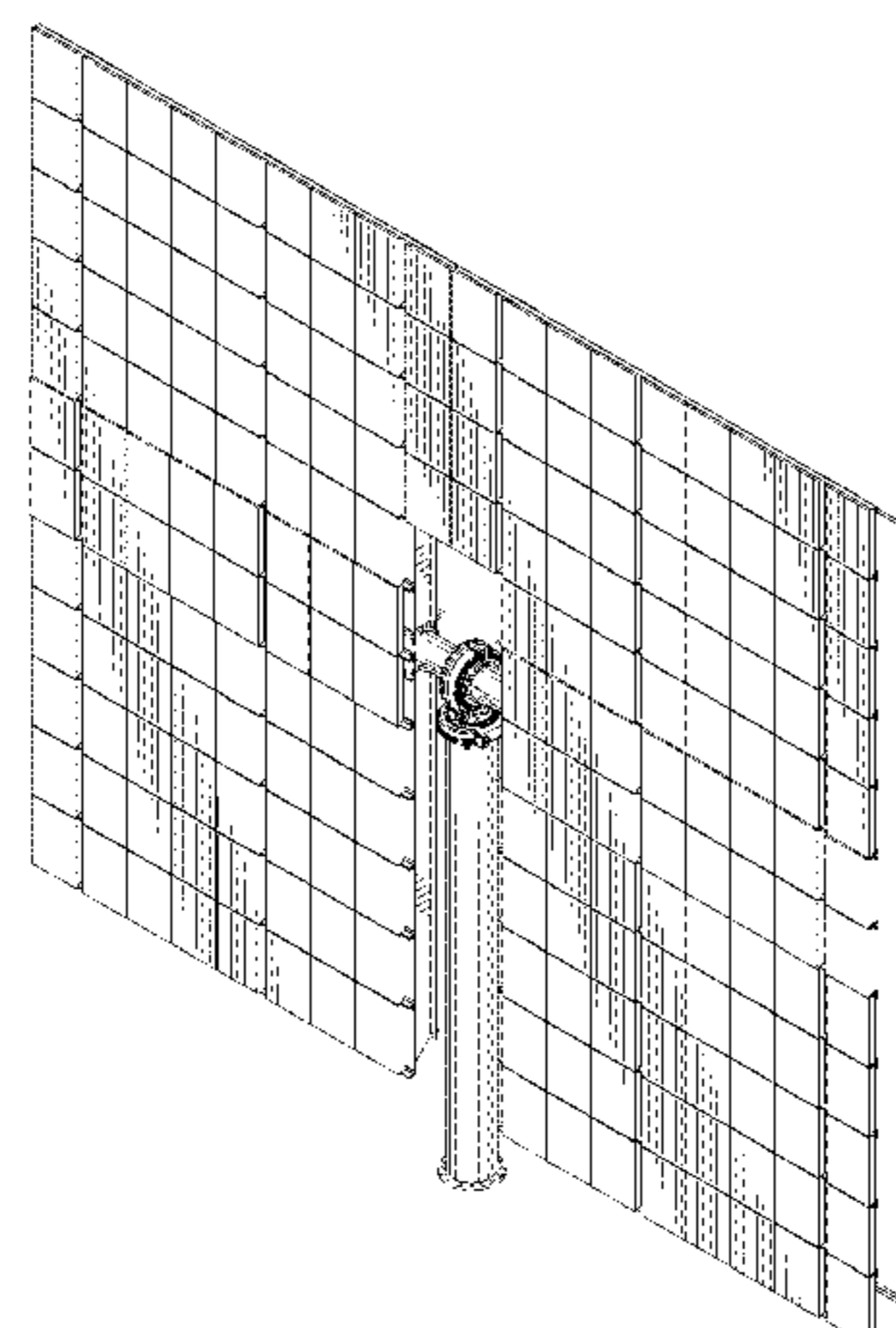


FIG. 28 is an eighth referential alternate perspective view of the rear; and,
 FIG. 29 is an enlarged view of XXIX portion of FIG. 28.
 The broken line portion of the figure drawings is included to show portions of the article and boundaries that form no part of the claimed design.

1 Claim, 26 Drawing Sheets

(58) **Field of Classification Search**

USPC D21/494; D25/57, 139, 180, 141, 143, D25/144
 CPC H01L 31/00; H02S 10/00; H02S 20/00; Y02B 10/00; Y02E 10/00; Y02E 10/40; Y02E 10/41; Y02E 10/42; Y02E 10/43; Y02E 10/44; Y02E 10/45; Y02E 10/46; Y02E 10/47; Y02E 10/50; Y02E 10/51; Y02E 10/52

See application file for complete search history.

(56) **References Cited**

U.S. PATENT DOCUMENTS

D611,405 S * 3/2010 Mackler D13/102
 D657,737 S * 4/2012 Mackler D13/102
 2006/0266408 A1* 11/2006 Horne F24J 2/067
 136/246
 2012/0313568 A1* 12/2012 Paluszek H02J 7/0027
 320/101

2013/0206712 A1* 8/2013 Magalhaes H01L 31/0424
 211/41.1
 2014/0338723 A1* 11/2014 Flynn F24J 2/38
 136/246
 2015/0082924 A1* 3/2015 Morgan F16B 7/0493
 74/89.14
 2015/0188484 A1* 7/2015 Huang F24J 2/38
 74/89.36
 2015/0243821 A1* 8/2015 Nagai H01L 31/0543
 136/246
 2015/0280489 A1* 10/2015 Curlett H05B 37/0218
 307/66
 2015/0377519 A1* 12/2015 Ryu F24J 2/38
 126/601

OTHER PUBLICATIONS

Sumitomo Electric Commences the Demonstration, posted at Global-sei.com, posted on Jul. 24, 2012, [online], [site visited Jul. 21, 2017]. Available from Internet, <http://global-sei.com/news/press/12/prs069_s.html>.*
 Sumitomo Electric Made the Contract, posted at Global-sei.com, posted on May 11, 2016, [online], [site visited Jul. 21, 2017]. Available from Internet, <<http://global-sei.com/company/press/2016/05/prs034.html>>.*
 QUT Partners With Sumitomo, posted at Energymatters.com, posted on Nov. 17, 2016, [online], [site visited Jul. 21, 2017]. Available from Internet, <<http://www.energymatters.com.au/renewable-news/qut-sumitomo-solar-5755/>>.*
 Notice in Japanese Patent Application No. 2016-006288 dated Aug. 8, 2016.

* cited by examiner

FIG. 1

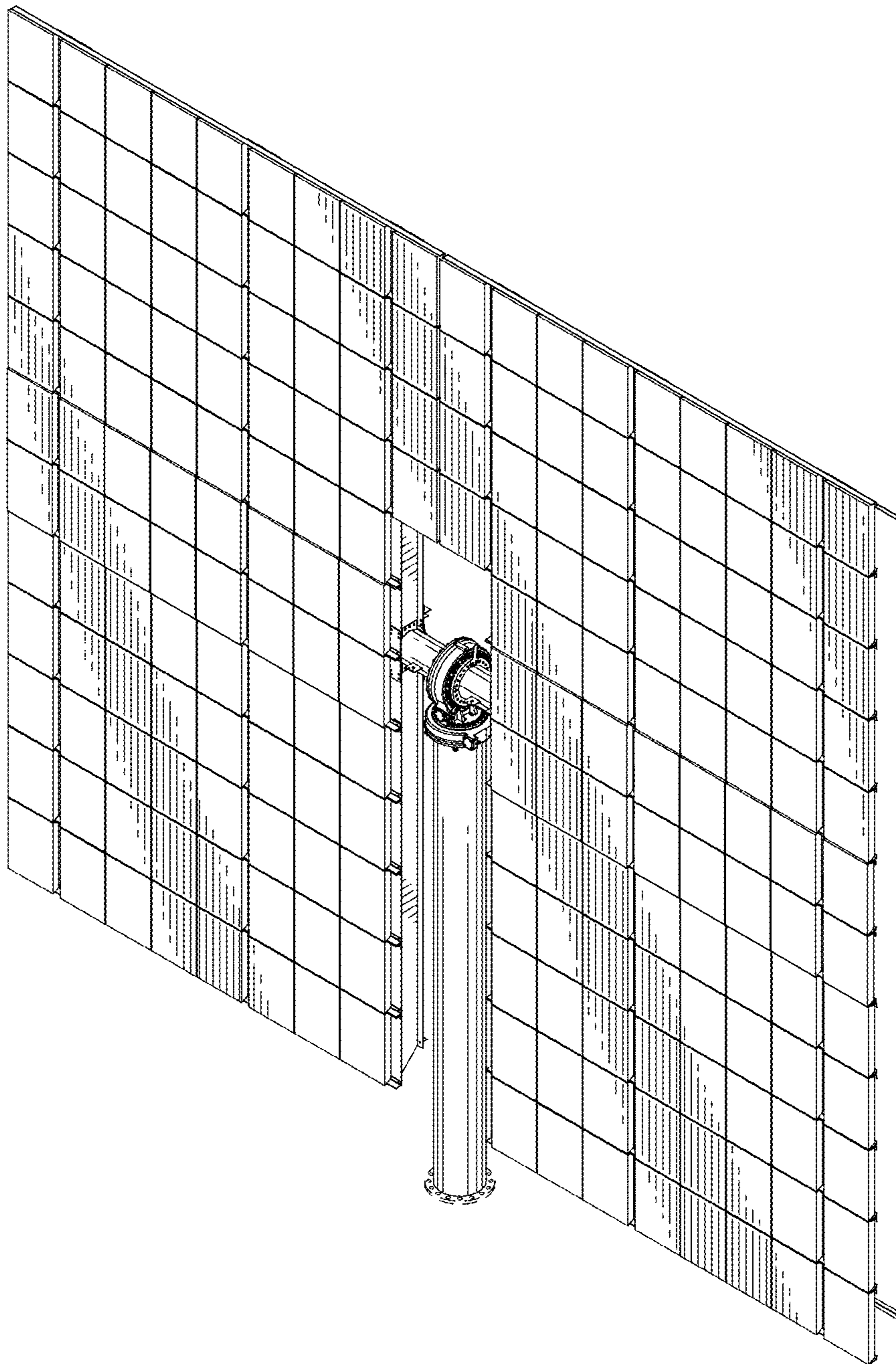


FIG.2

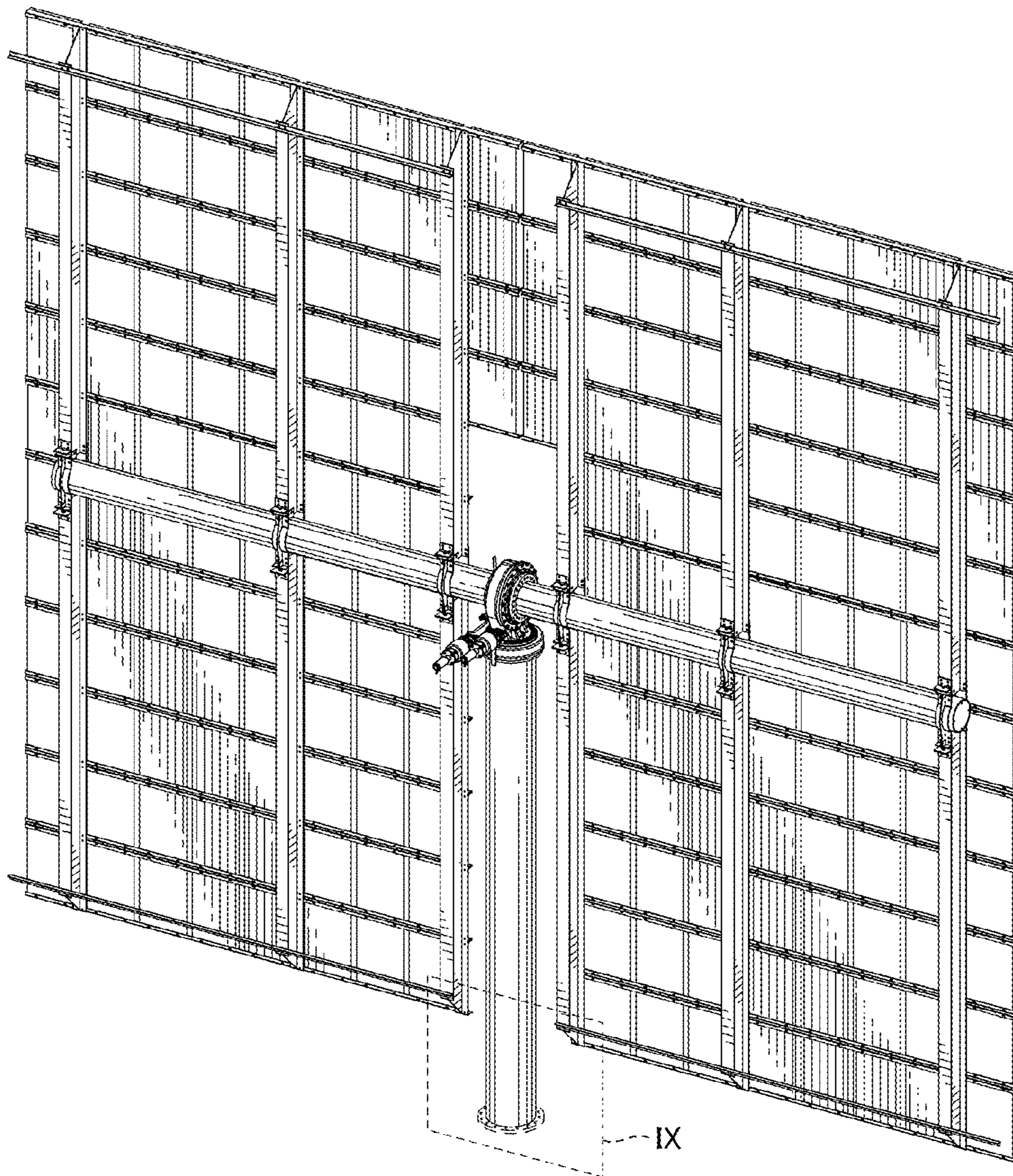


FIG.3

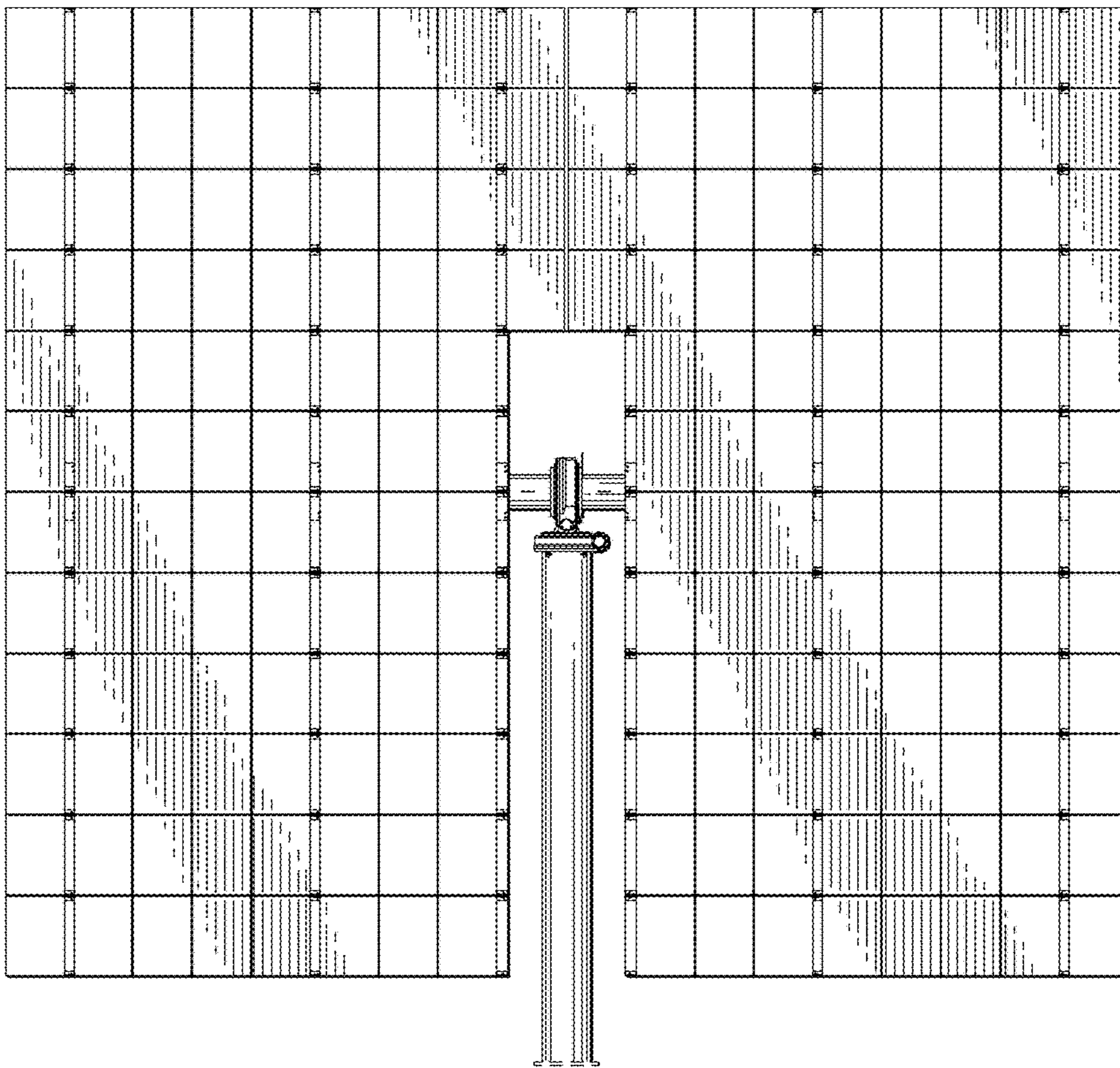


FIG.4

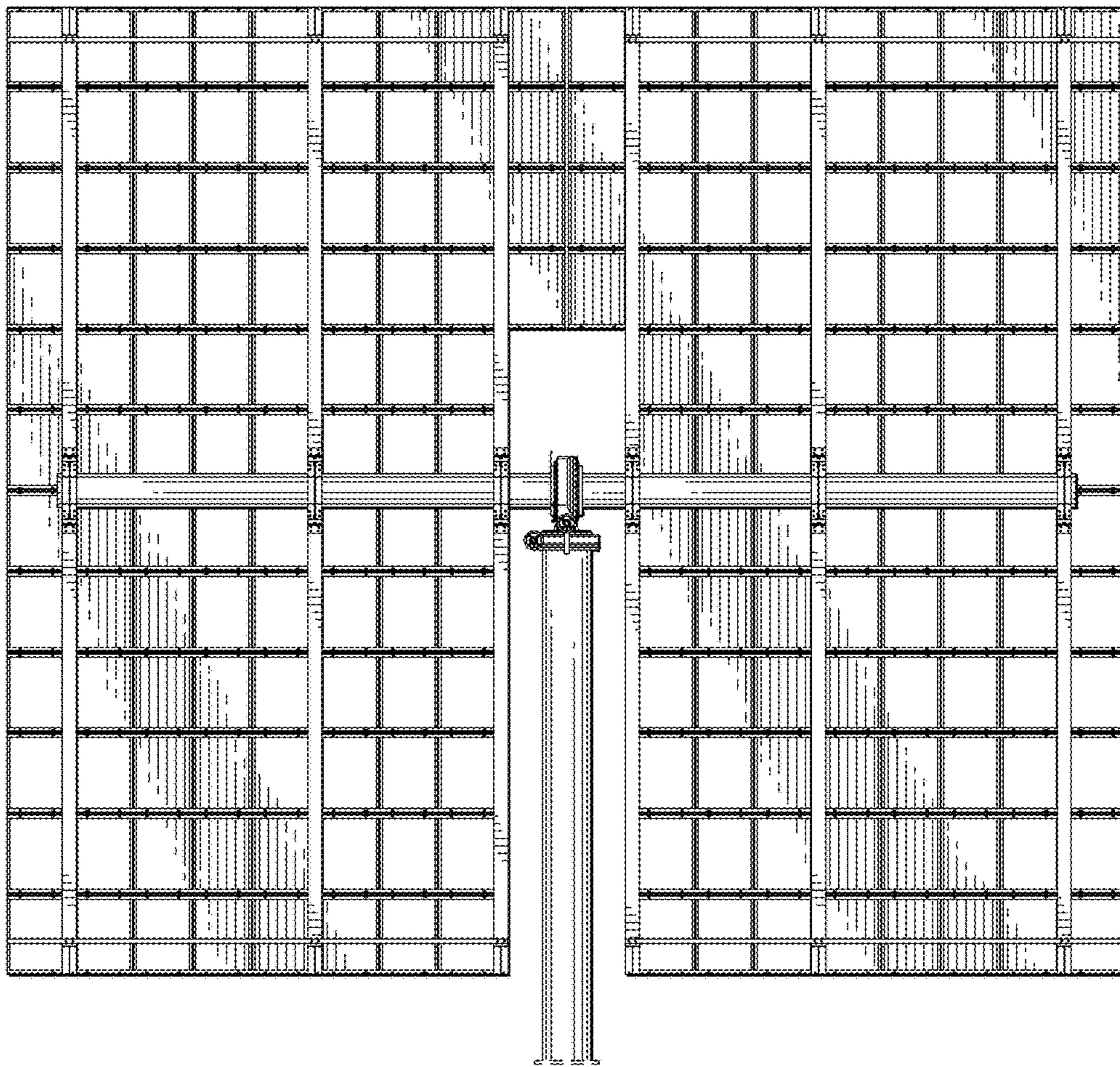


FIG.5

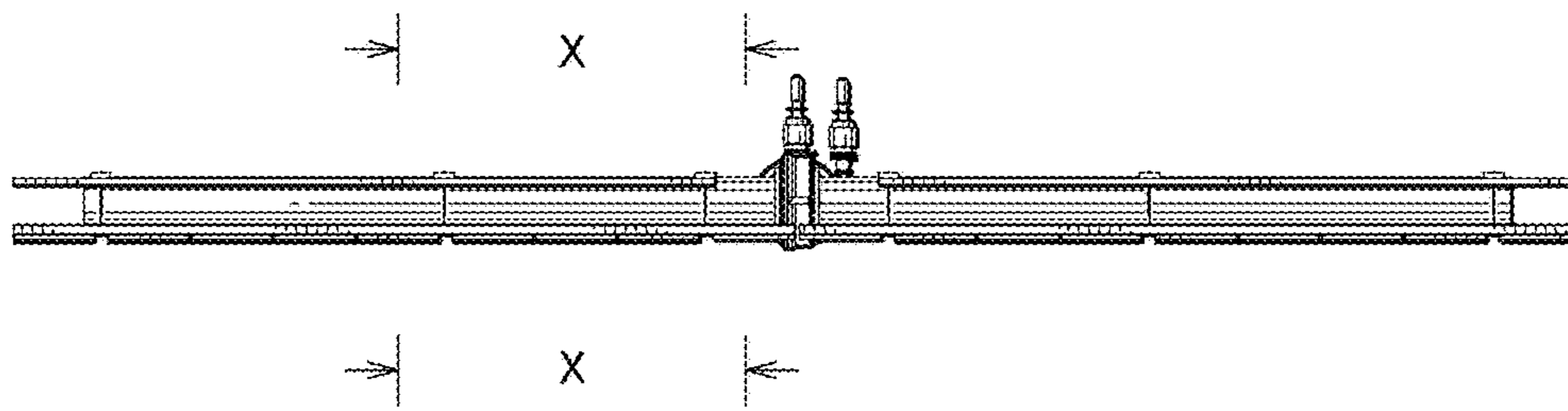


FIG.6

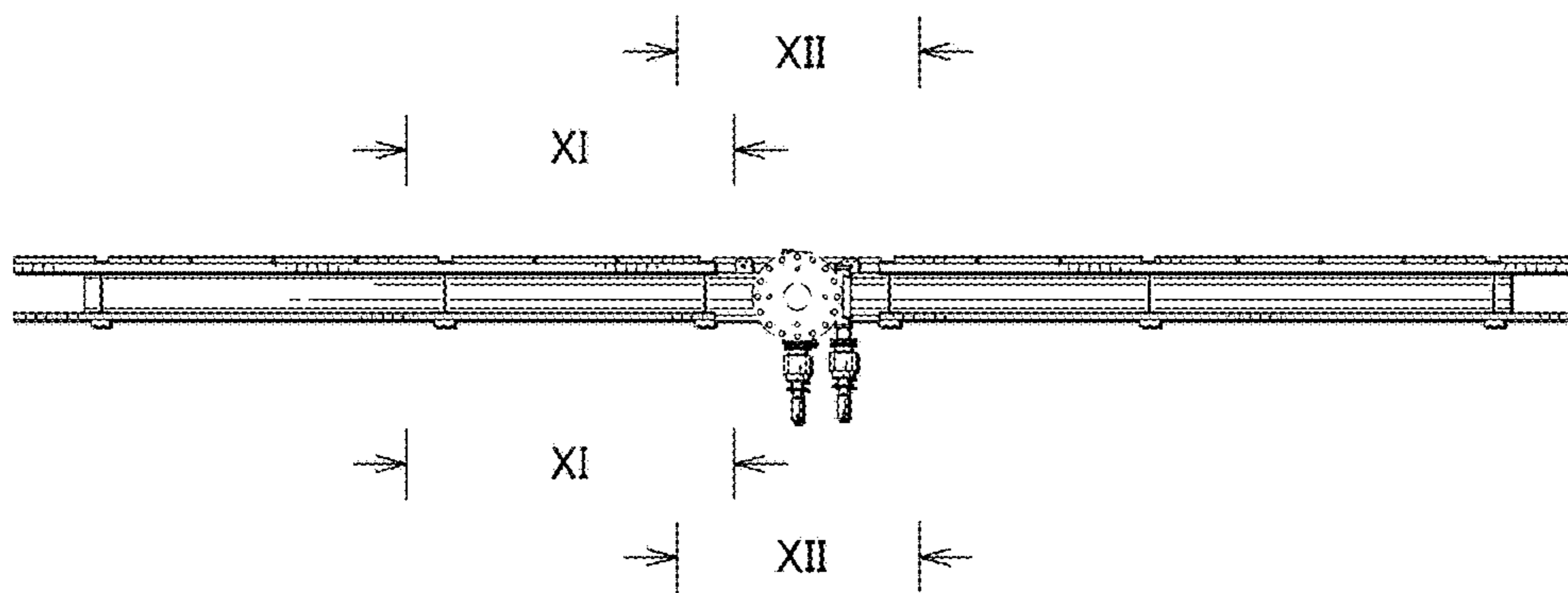


FIG. 7

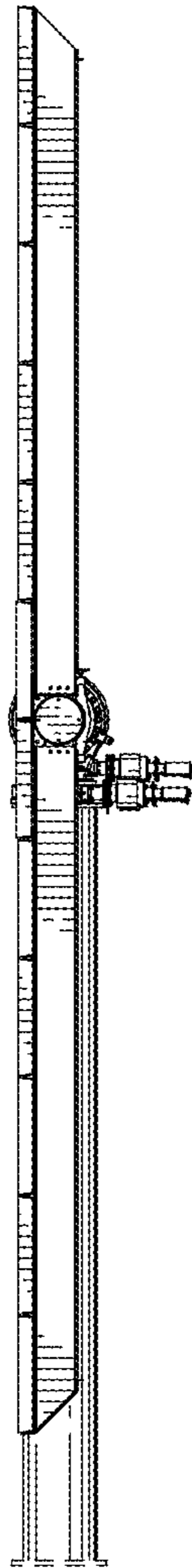


FIG.8

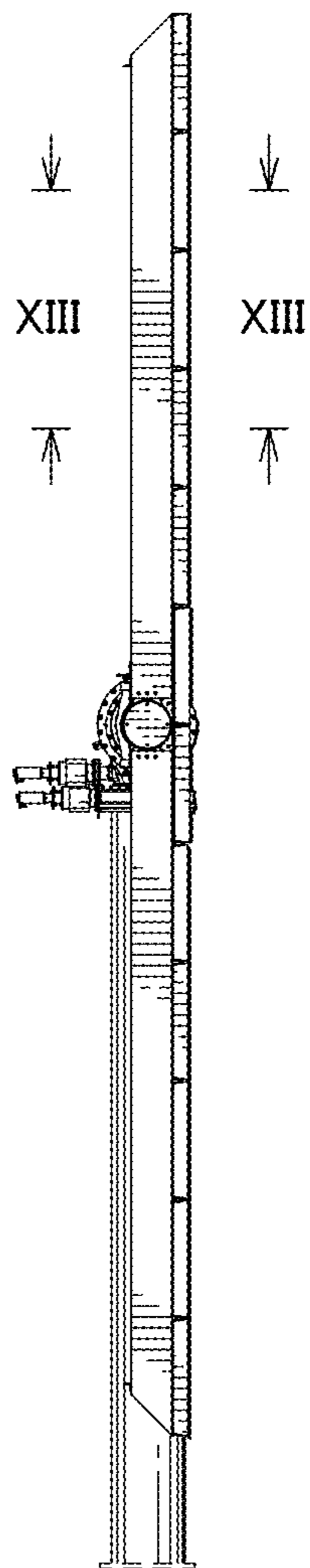


FIG.9

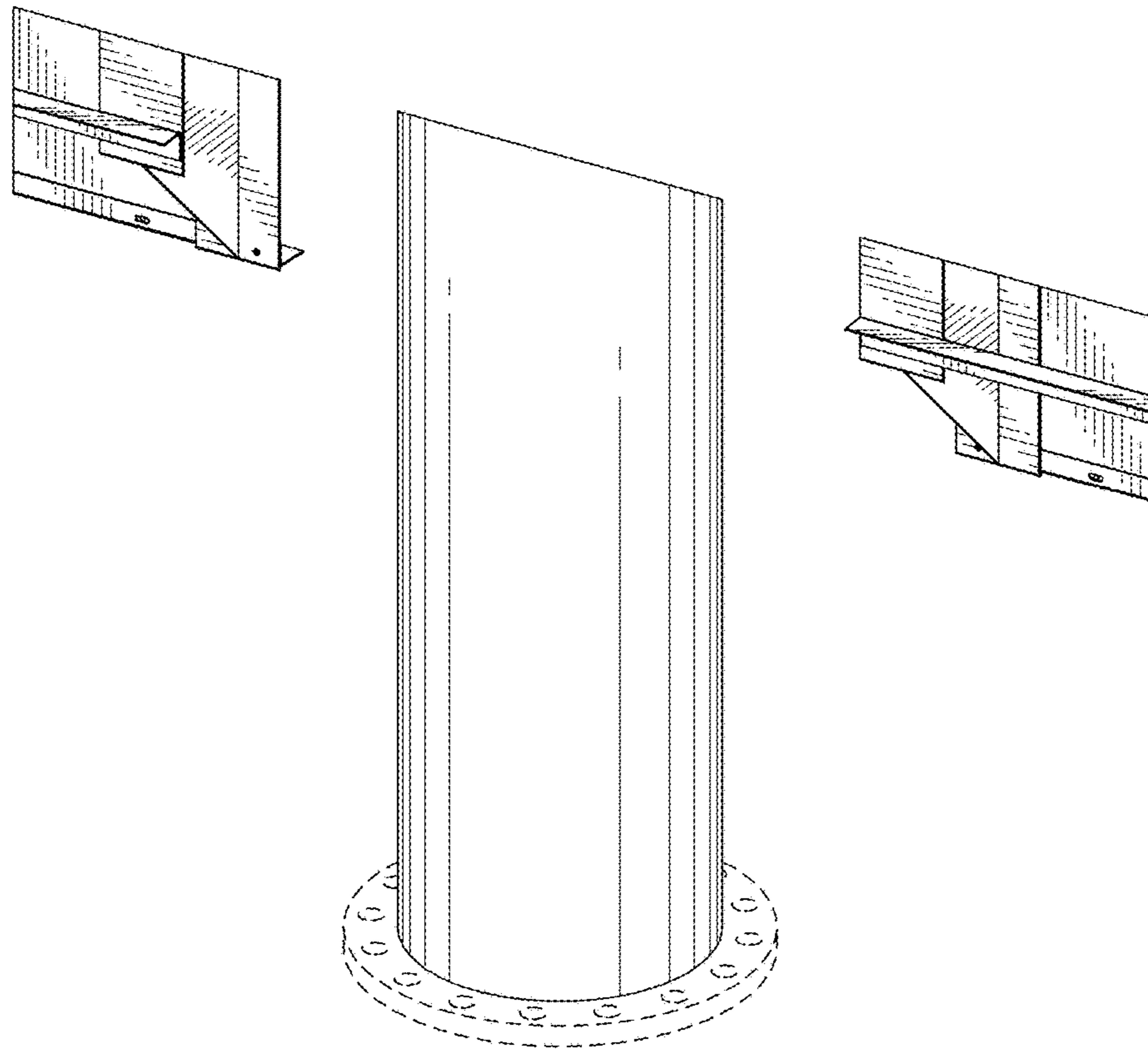


FIG.10

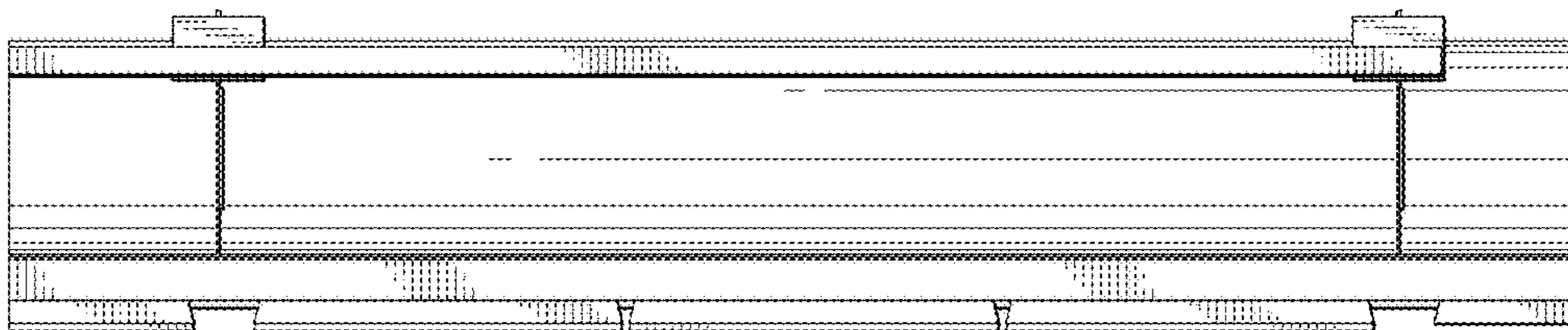


FIG.11

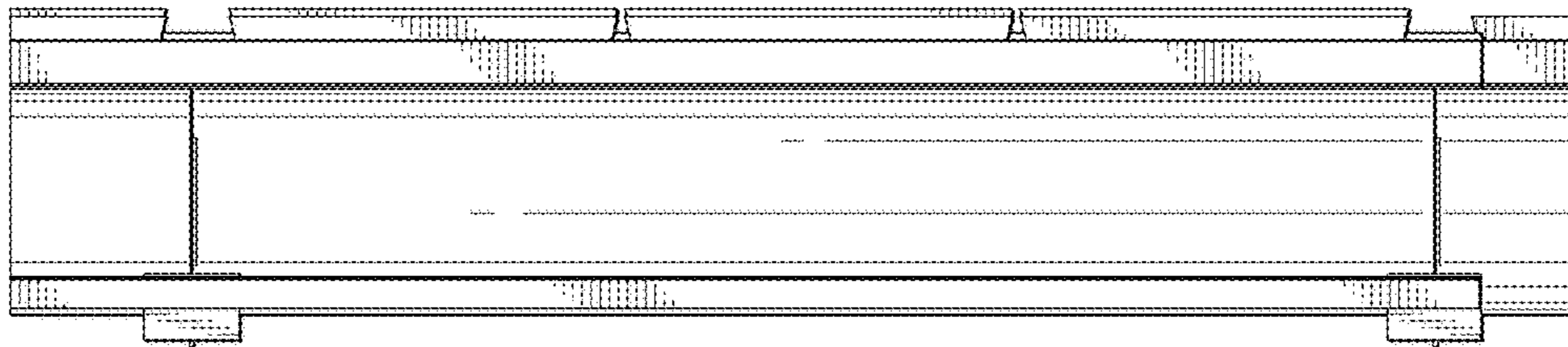


FIG.12

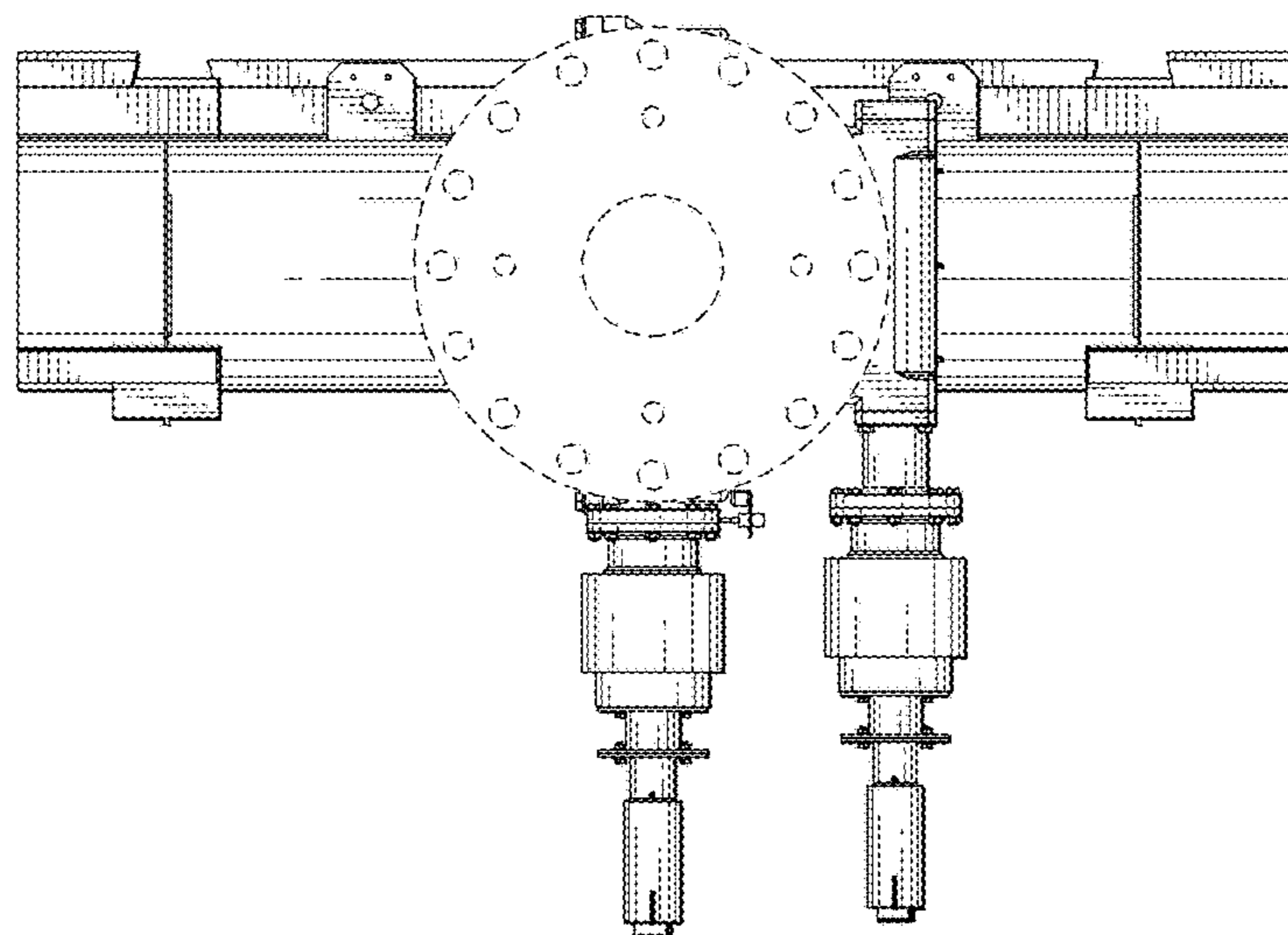


FIG. 13

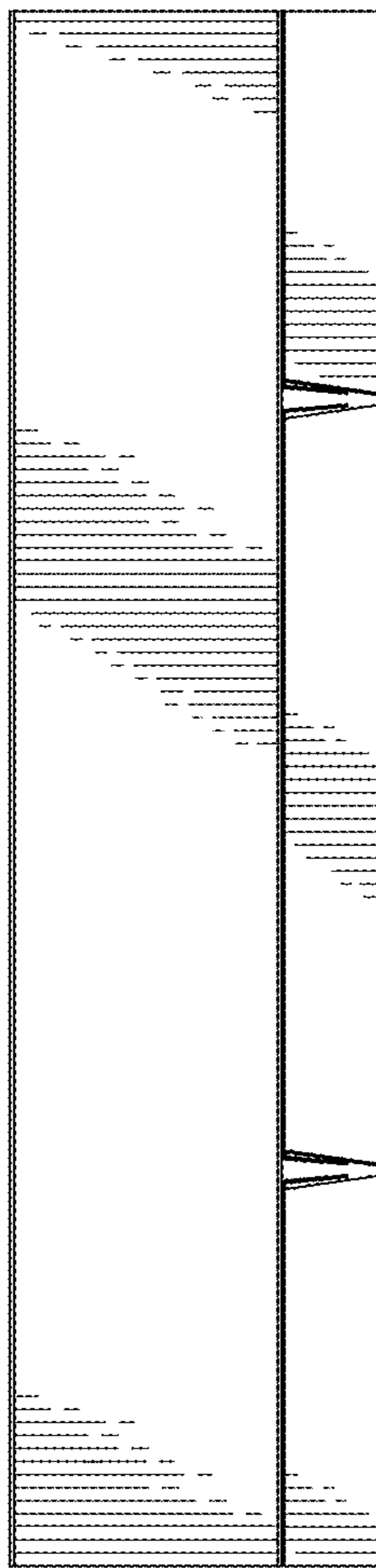


FIG.14

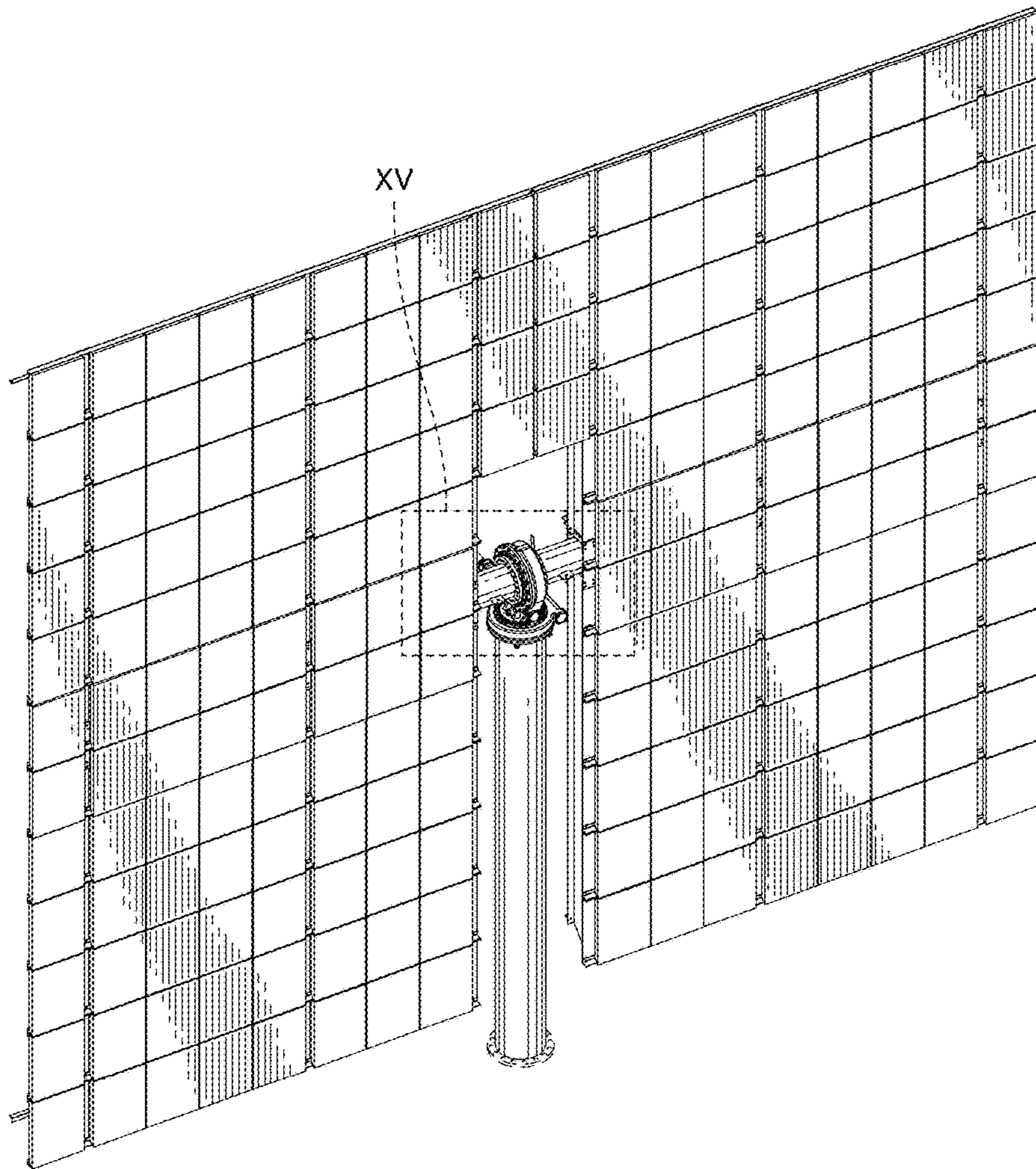


FIG. 15

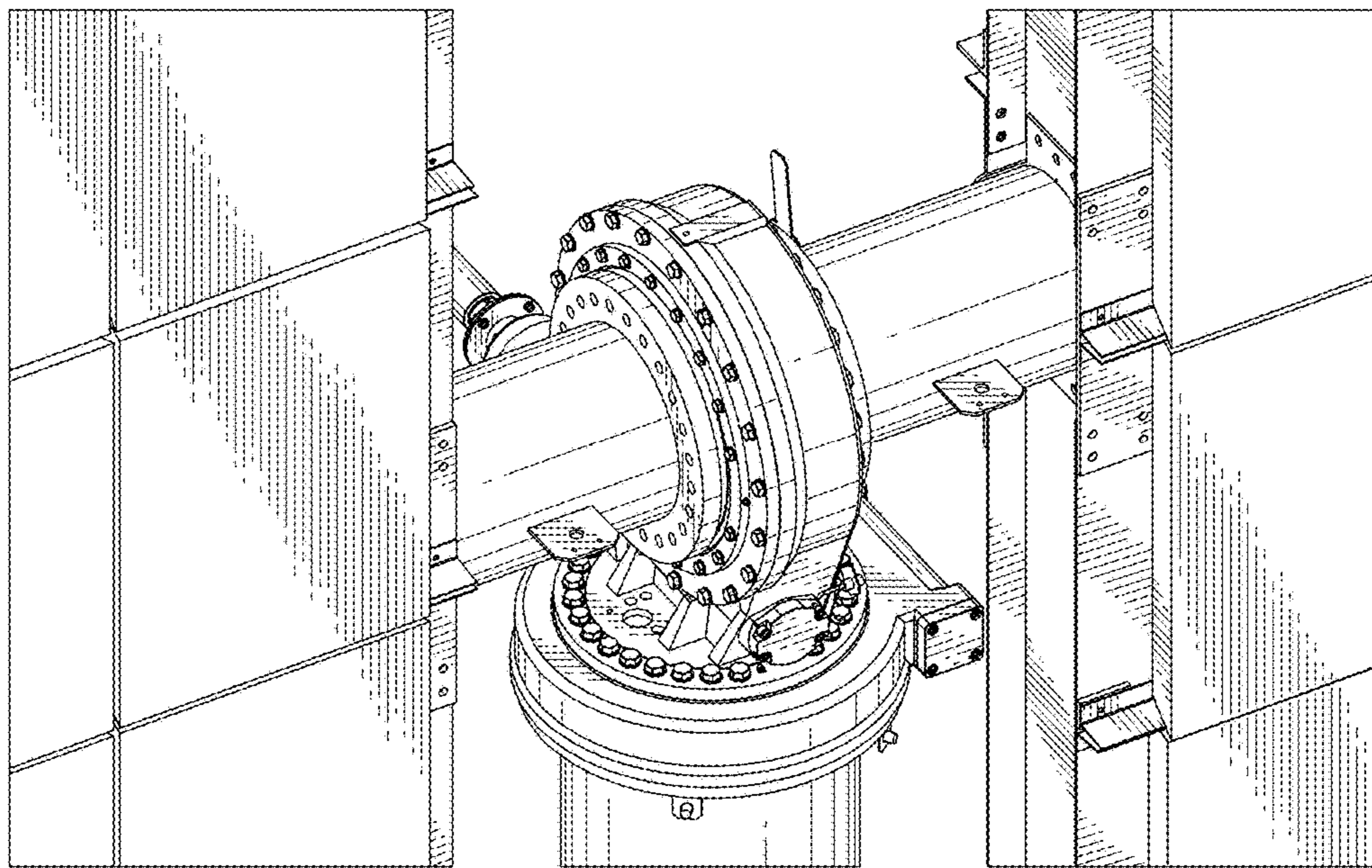


FIG. 16

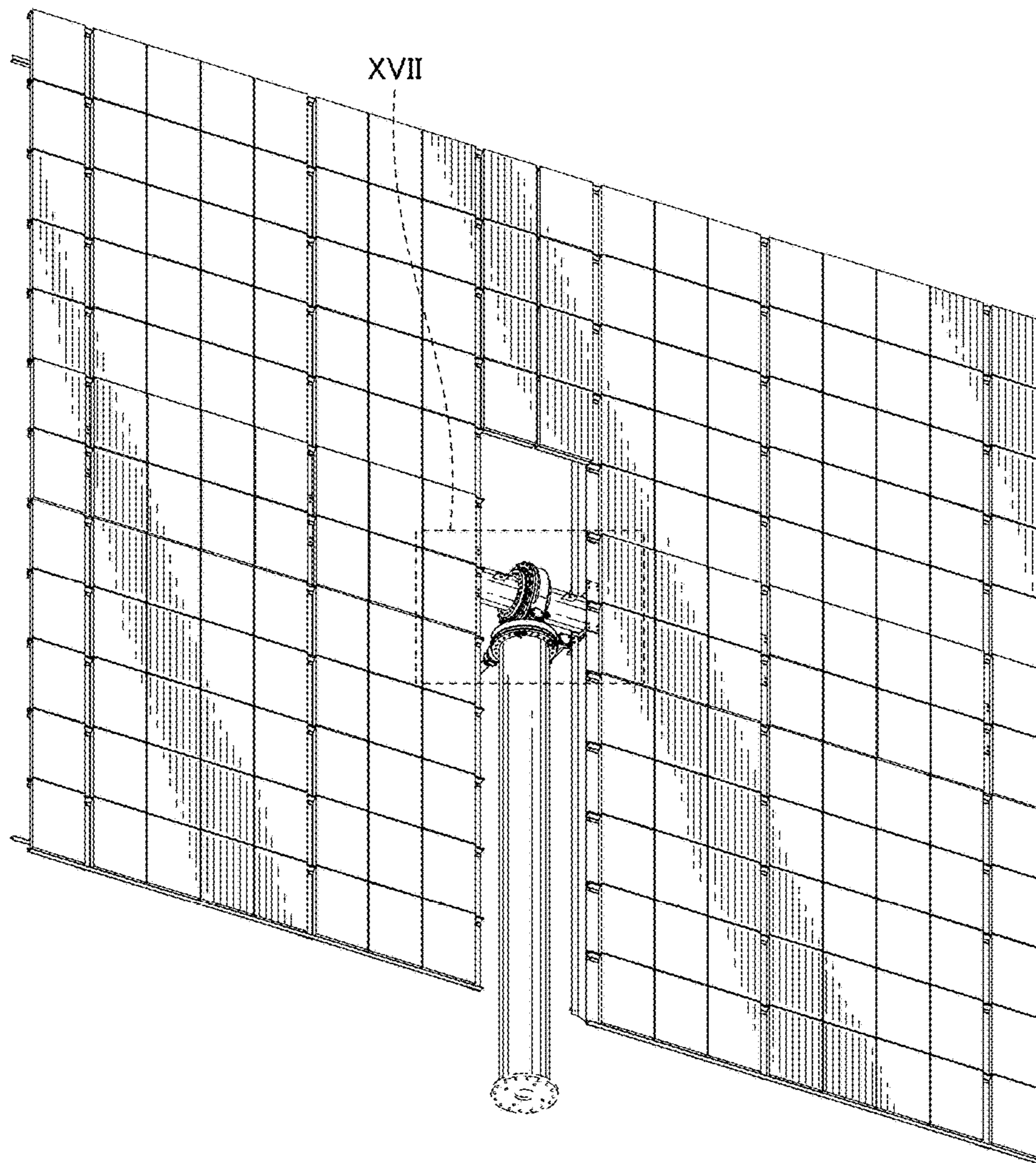


FIG.17

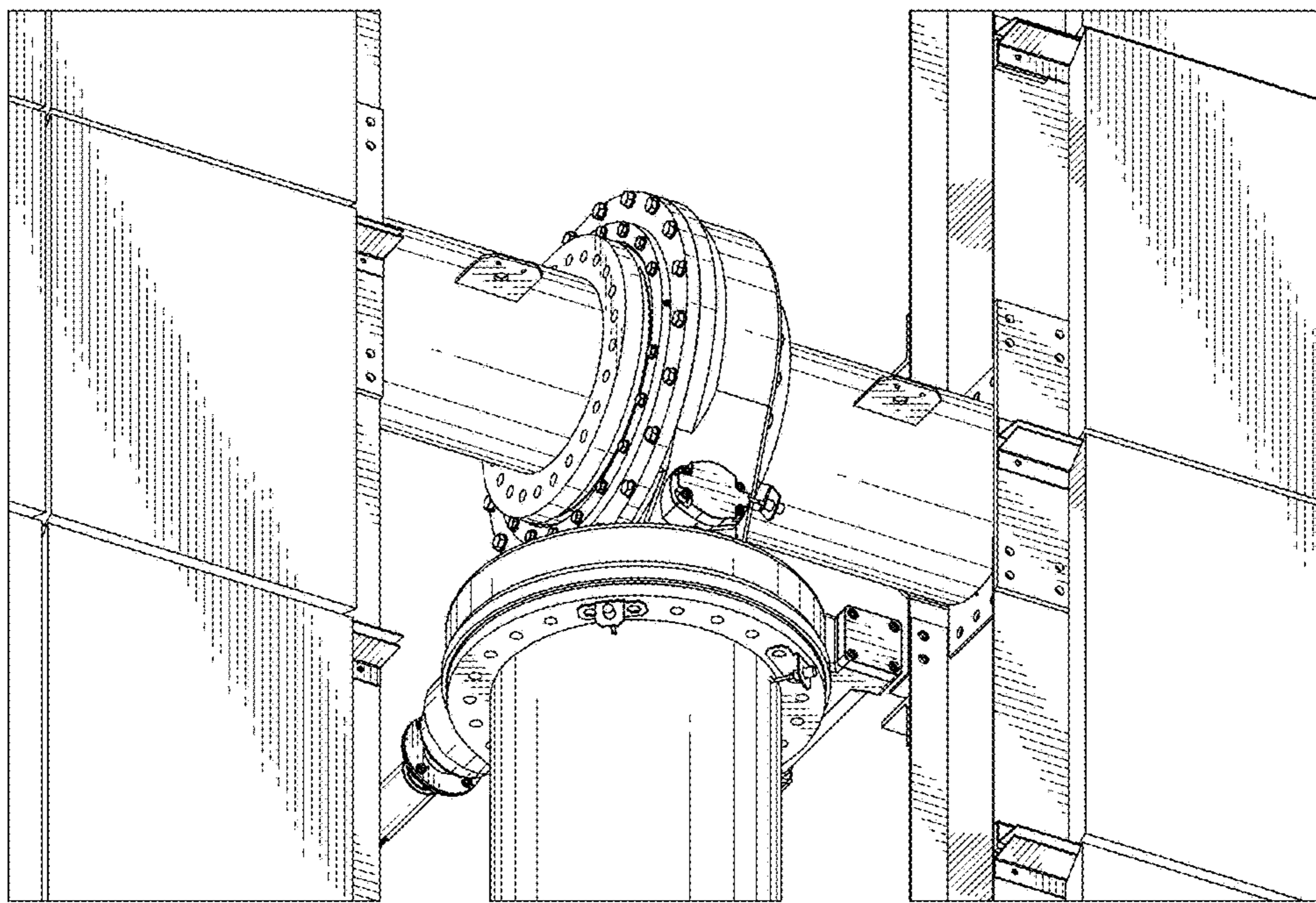


FIG. 18

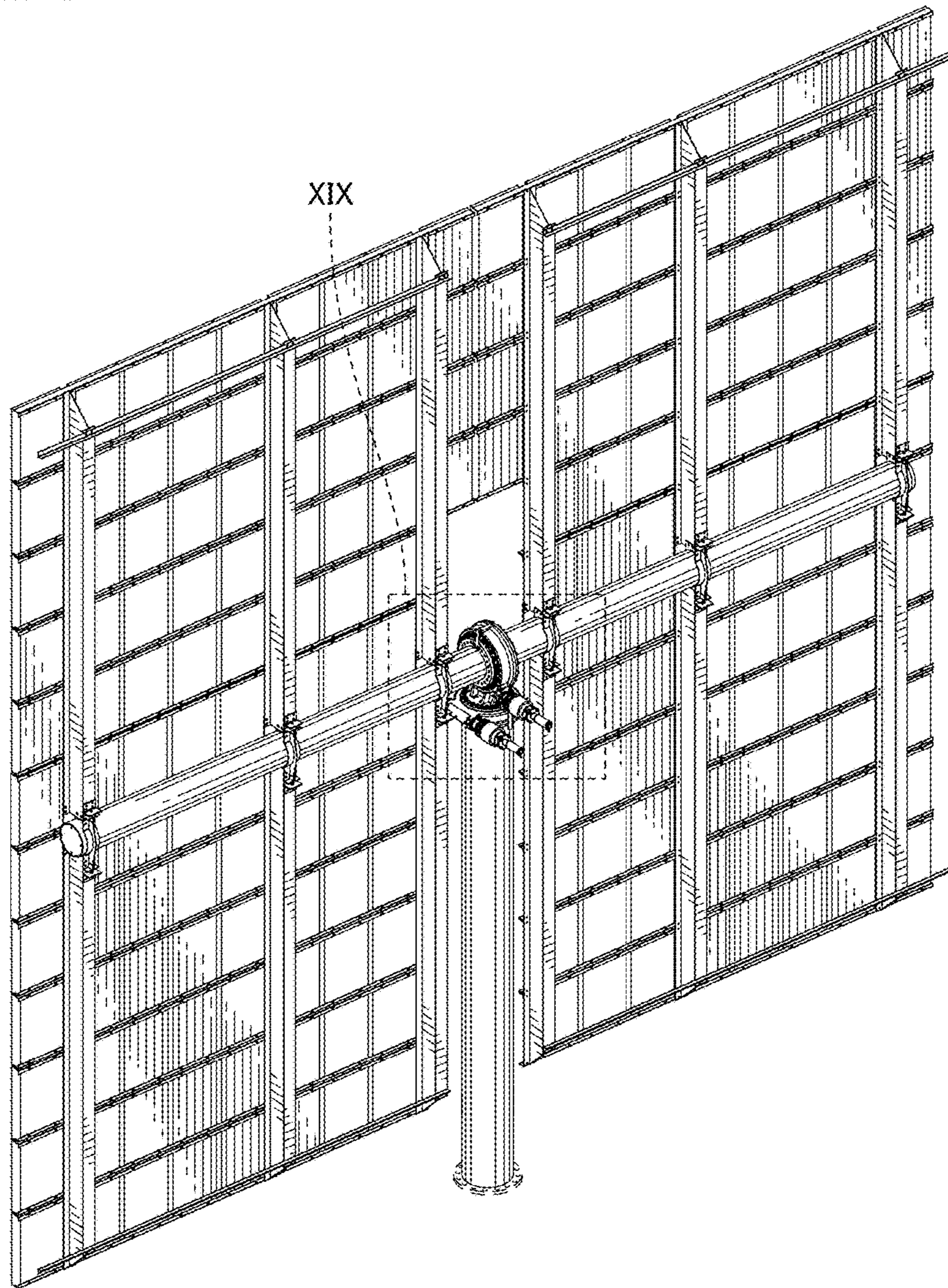


FIG.19

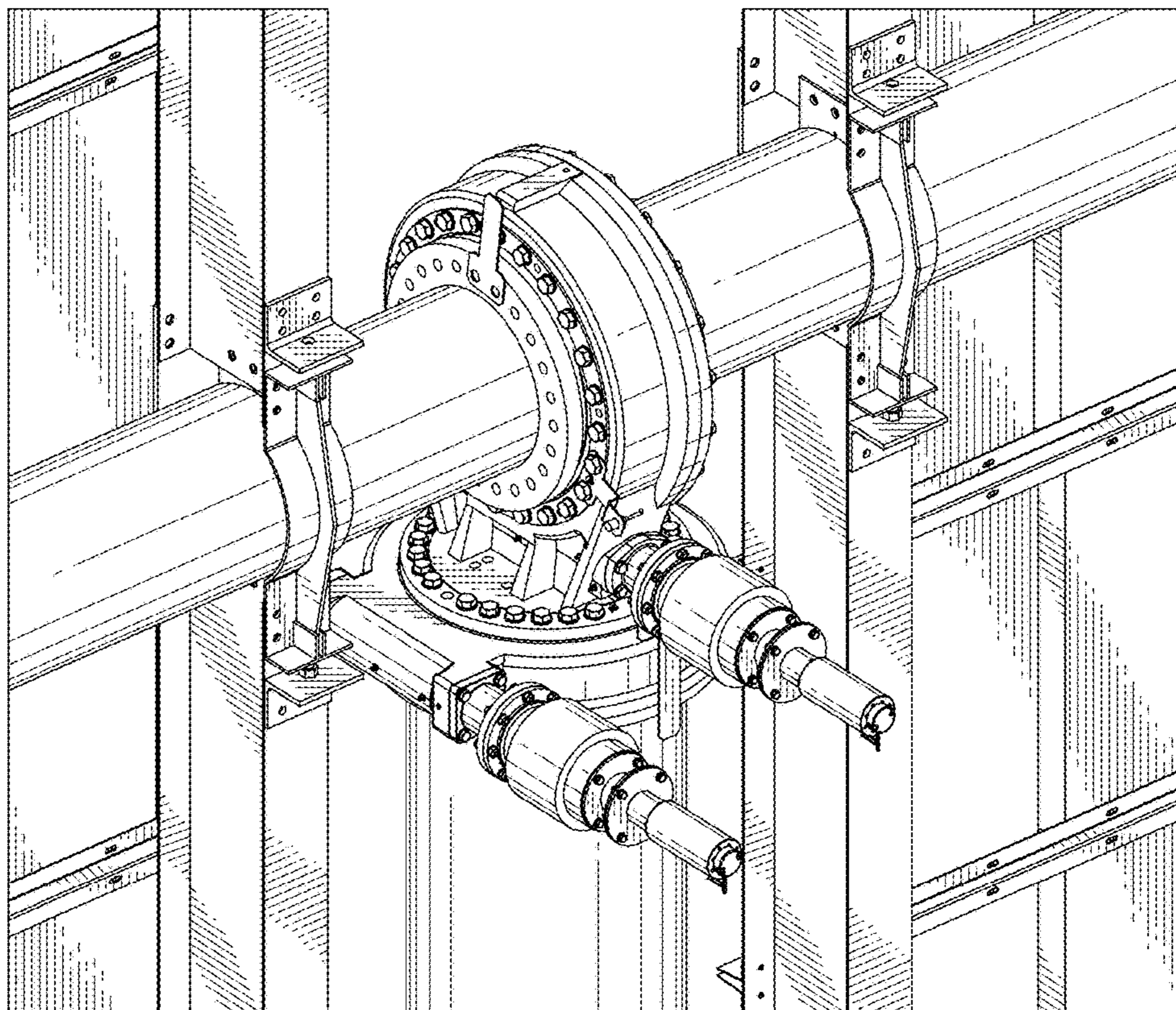


FIG.20

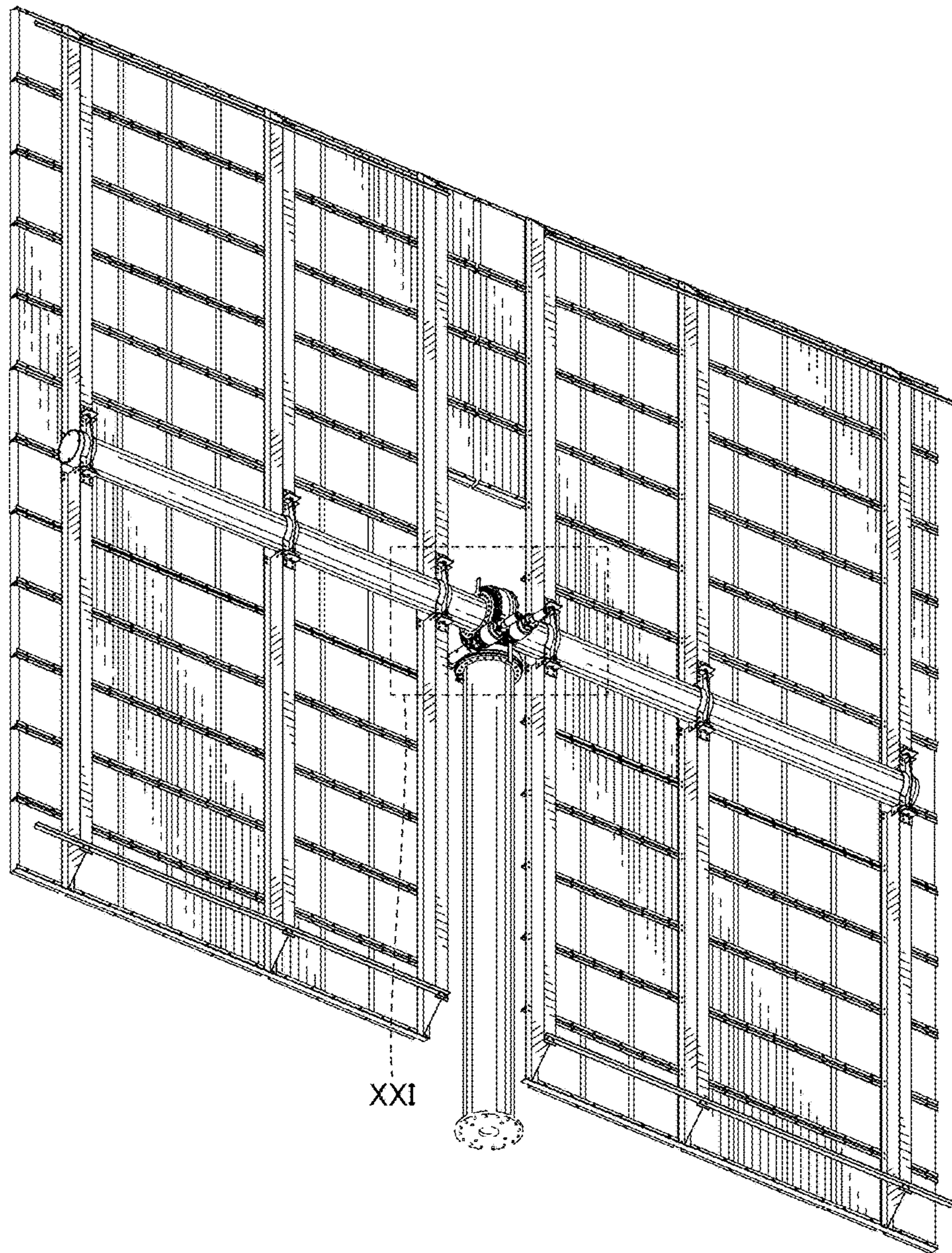


FIG.21

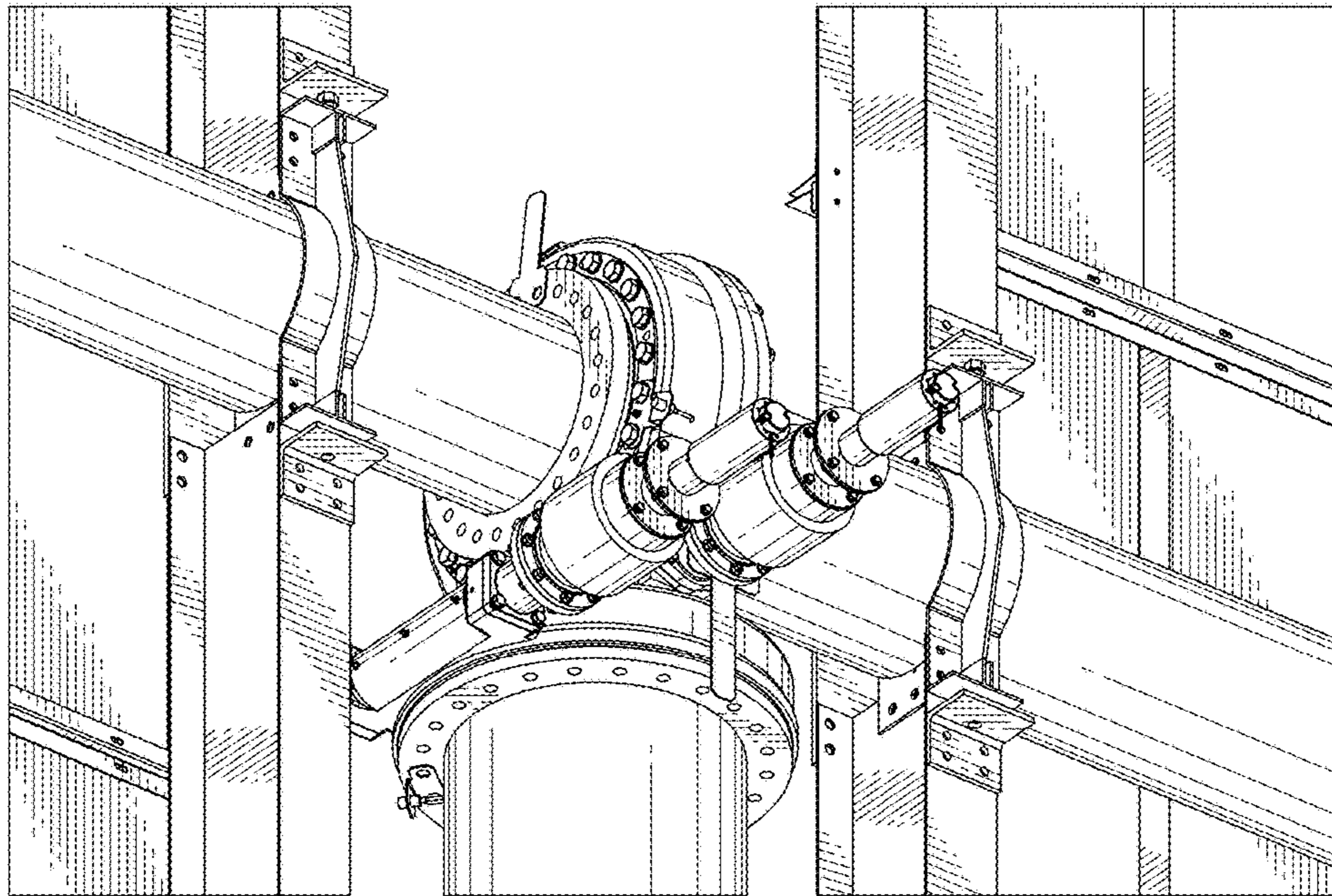


FIG.22

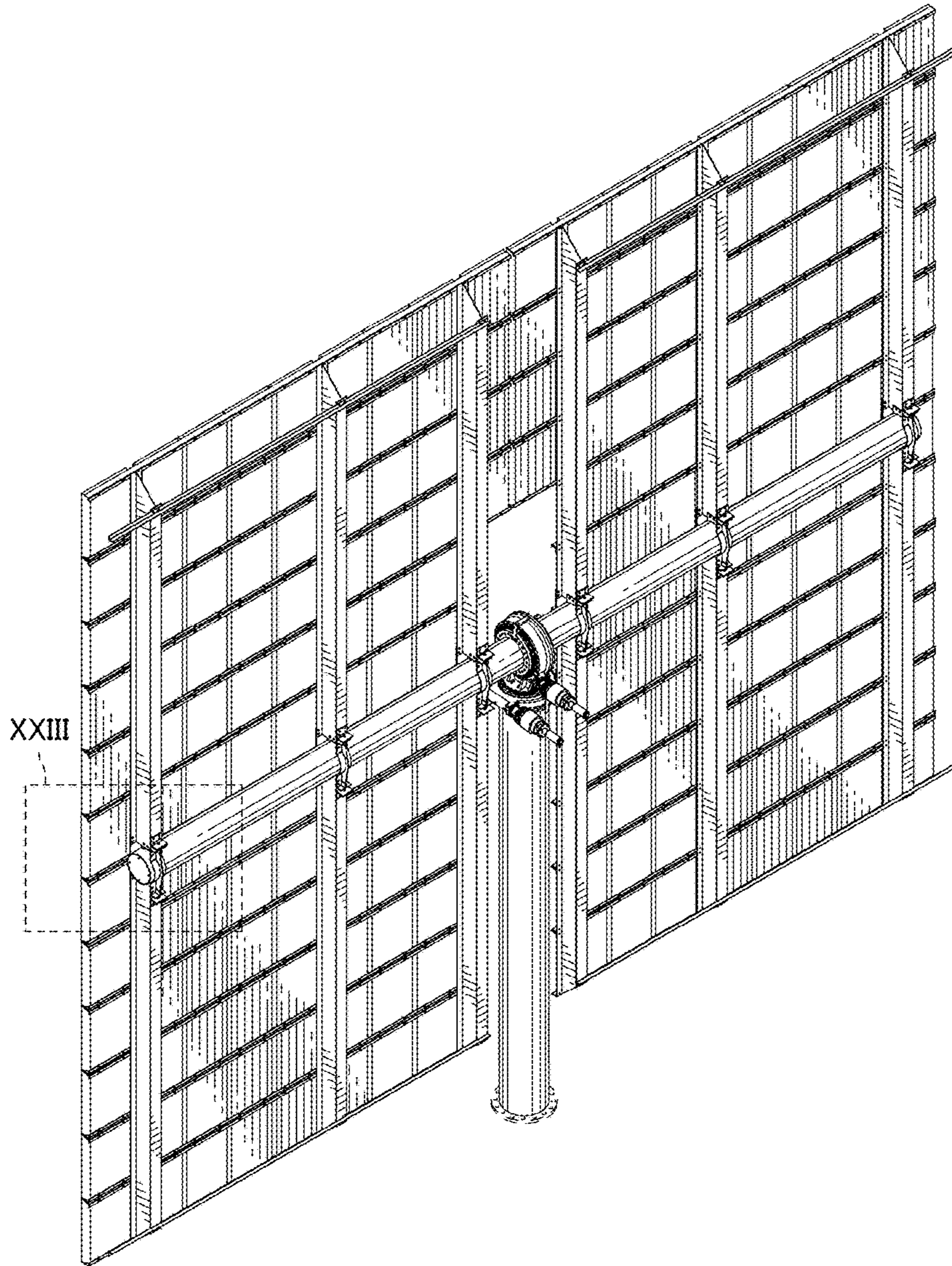


FIG.23

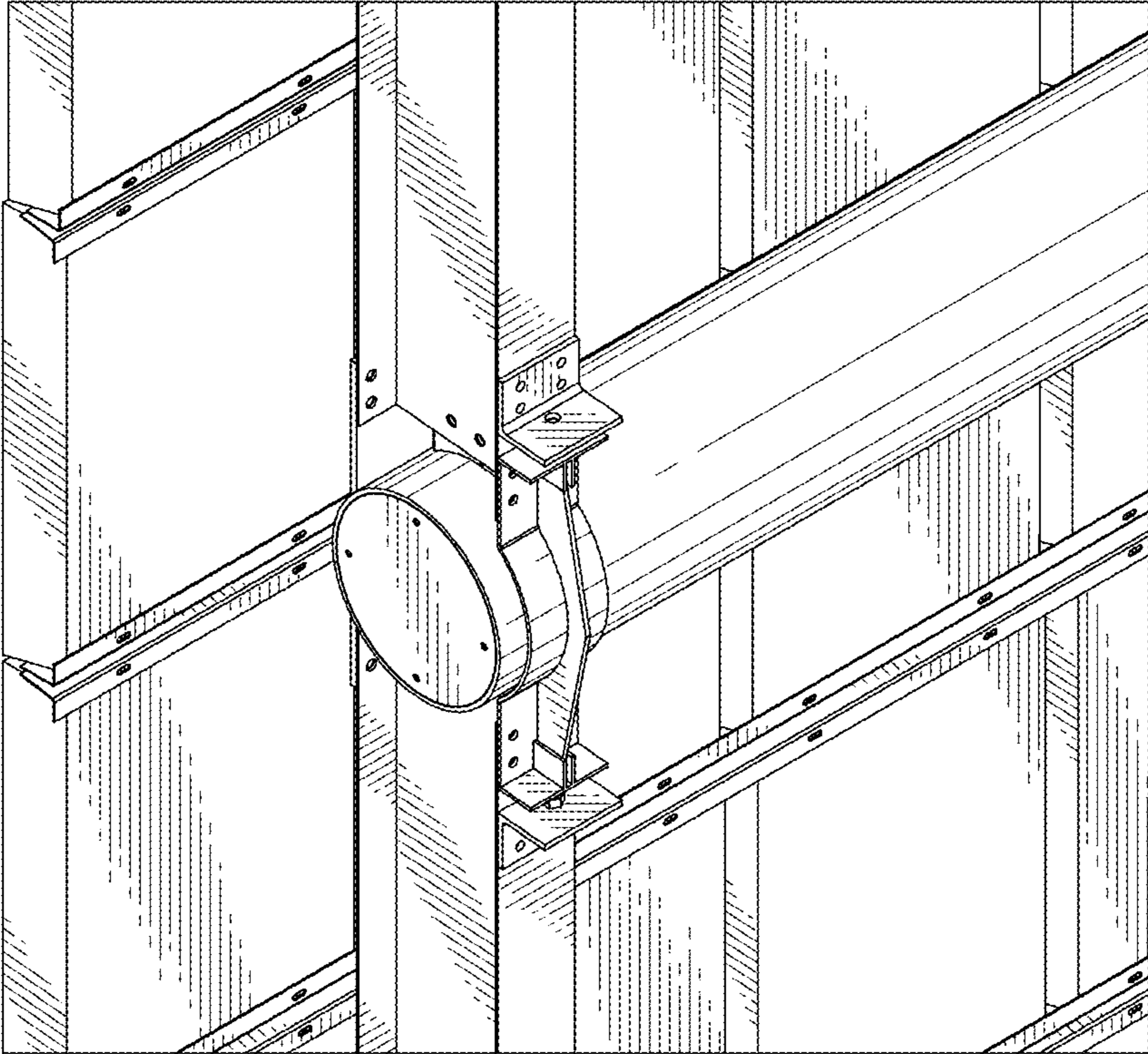


FIG.24

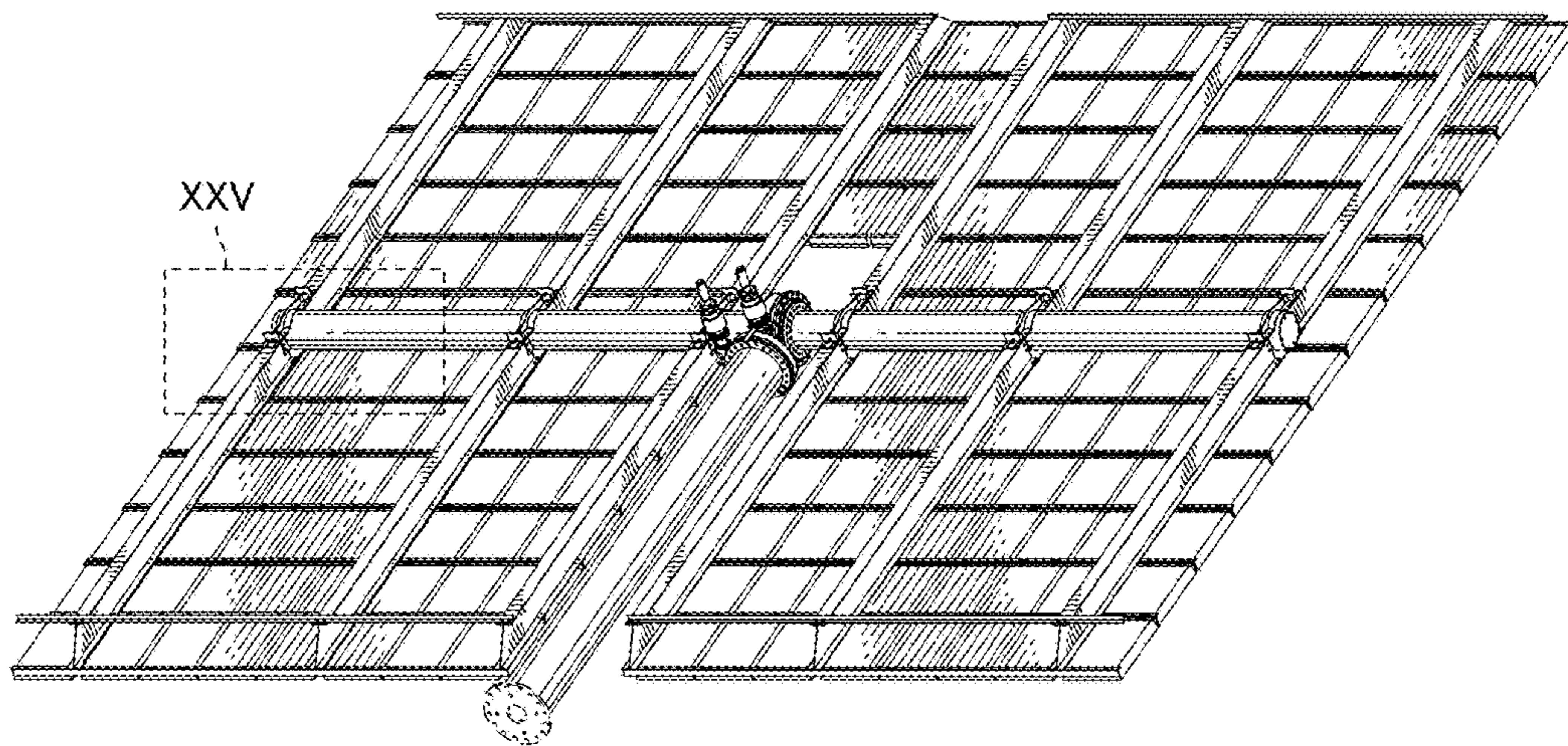


FIG.25

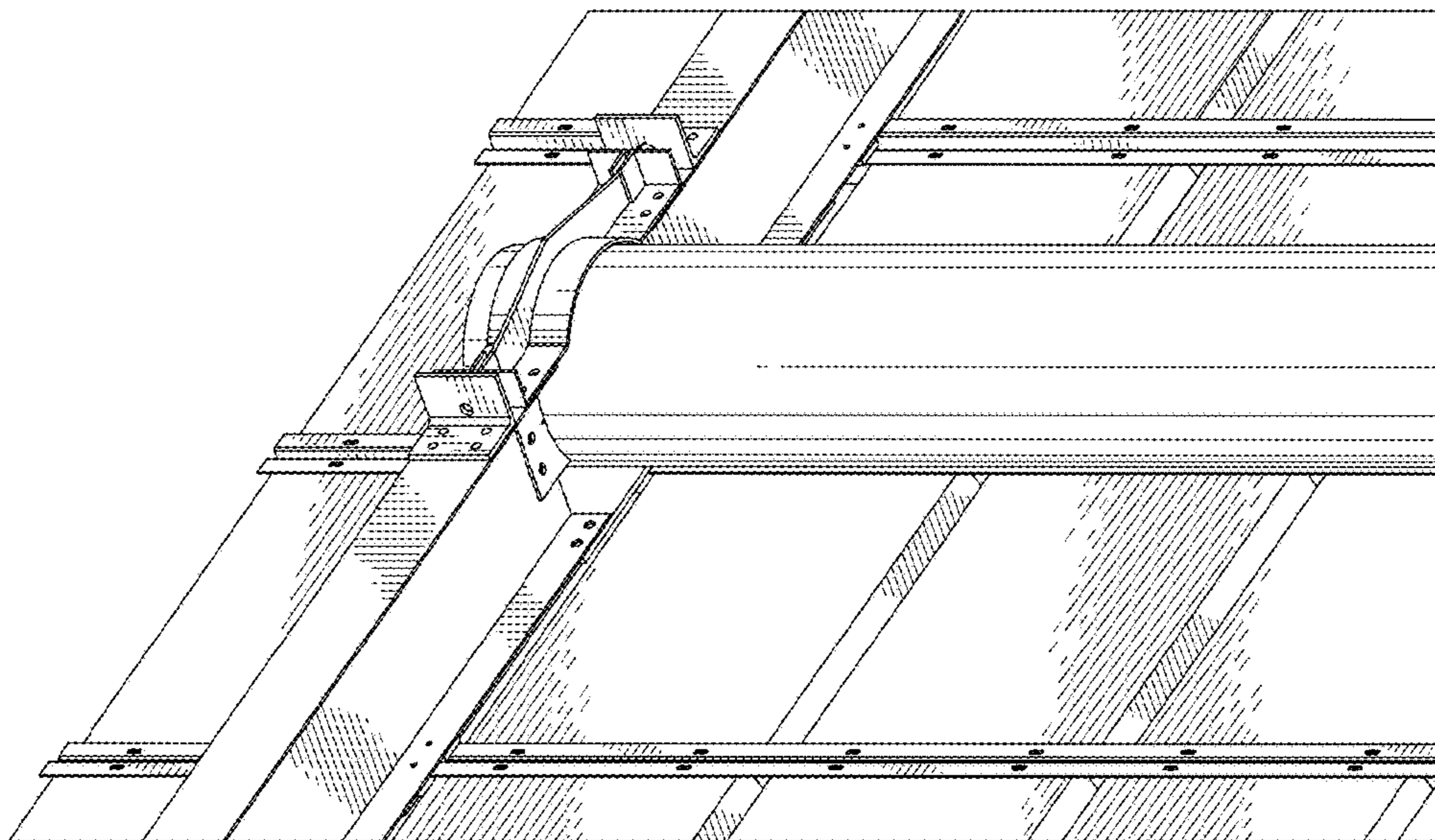


FIG.26

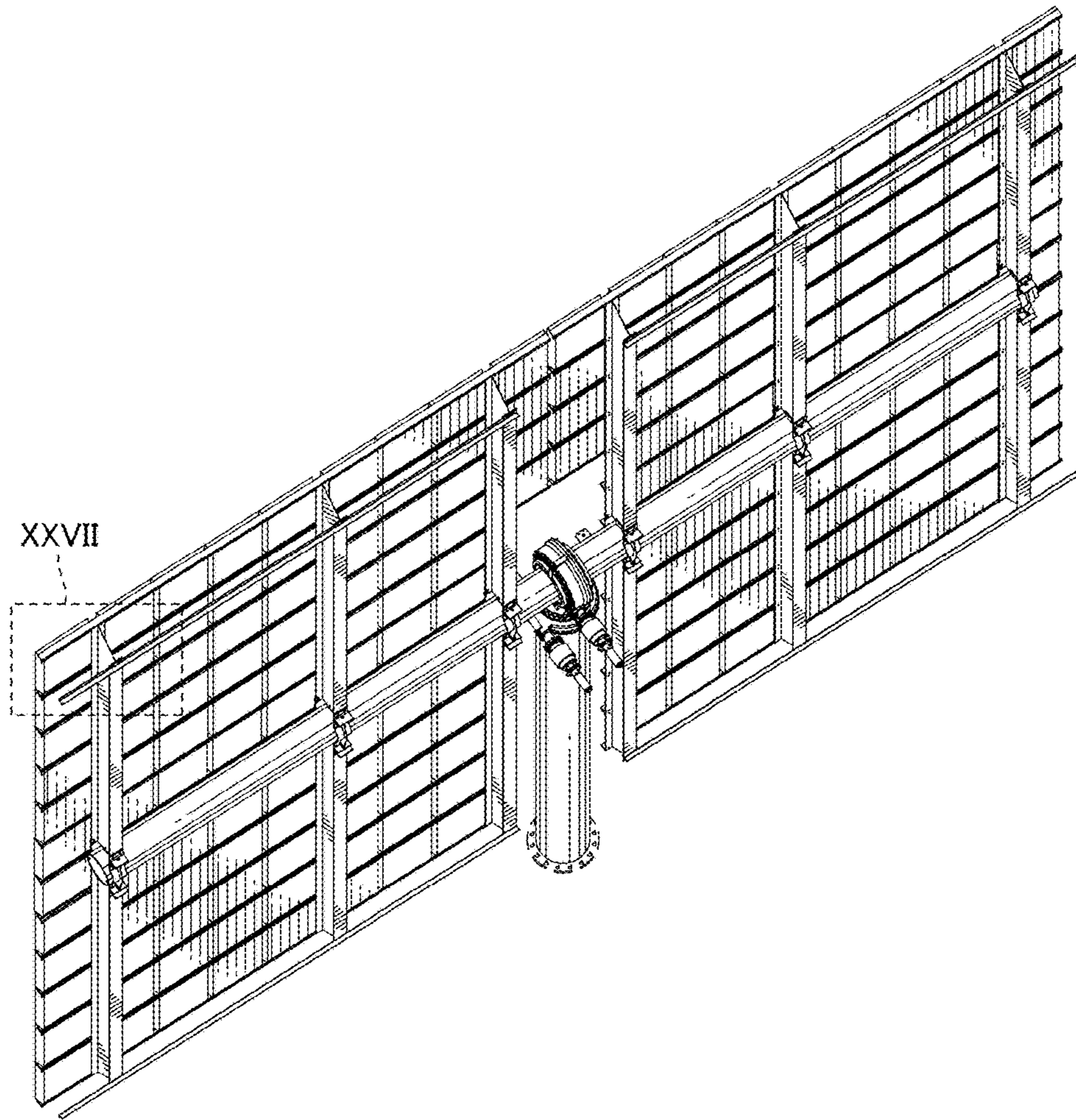


FIG.27

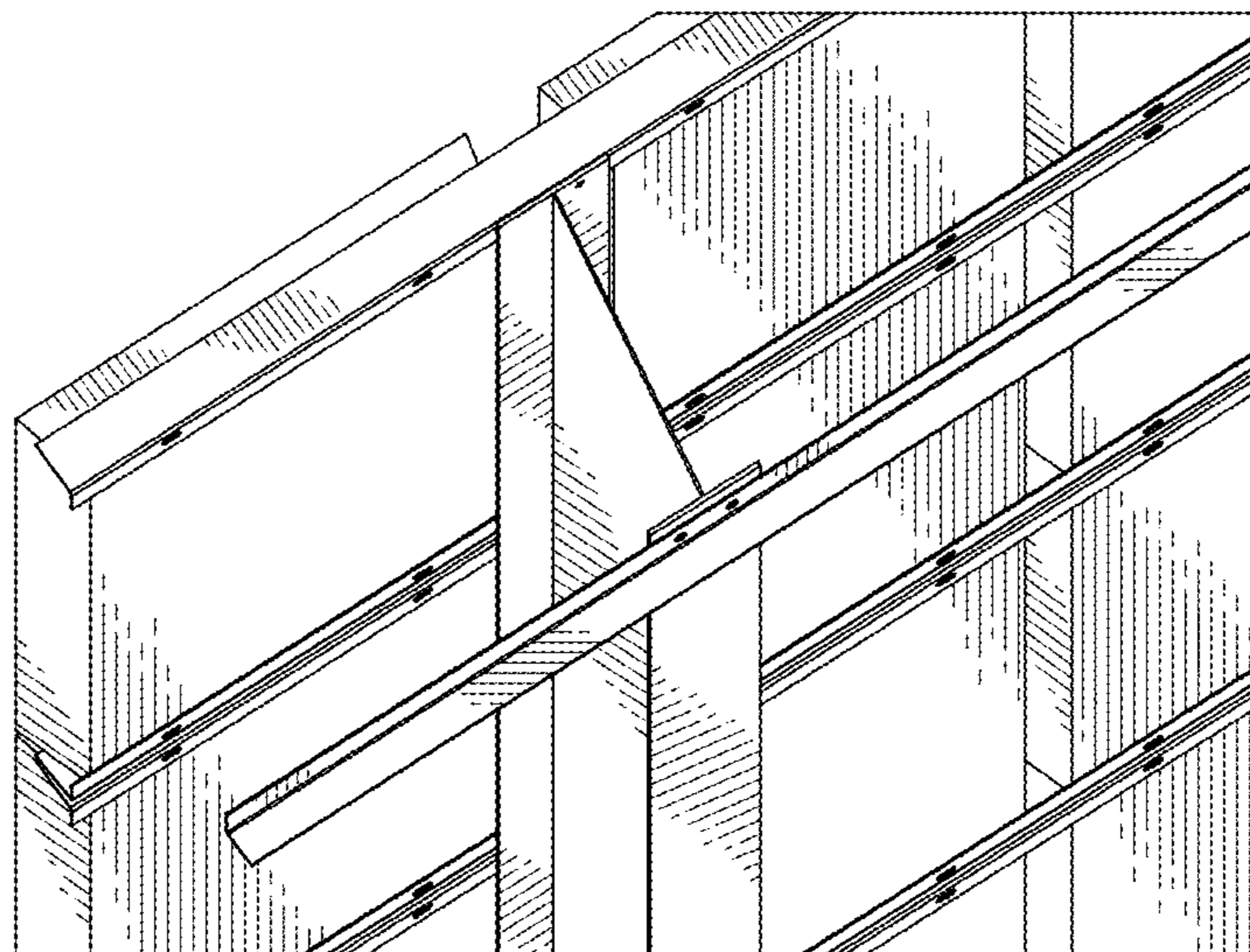


FIG.28

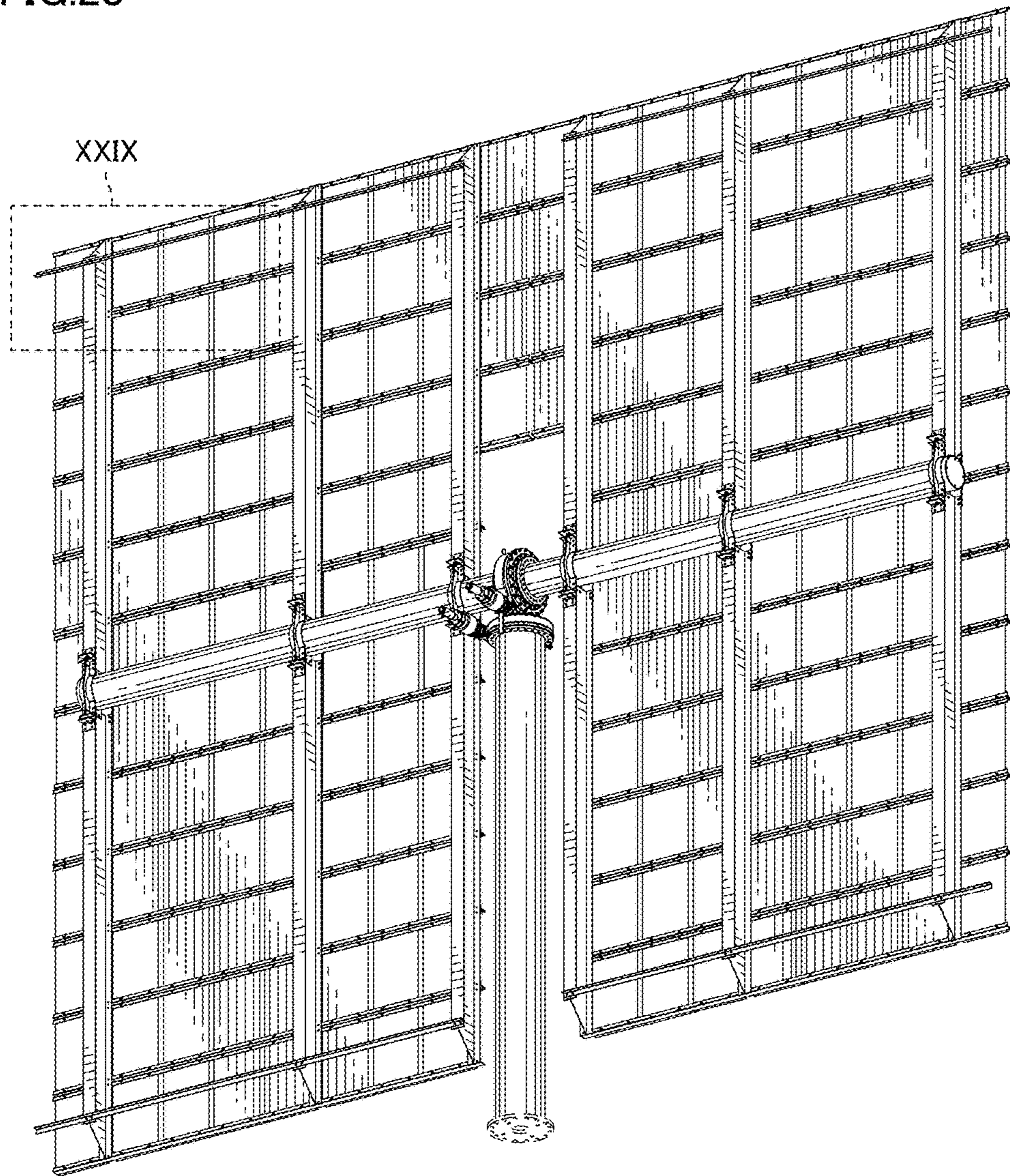


FIG.29

