



US00D813799S

(12) **United States Design Patent**  
**Maxwell et al.**

(10) **Patent No.:** **US D813,799 S**  
(45) **Date of Patent:** **\*\* Mar. 27, 2018**

(54) **TIRE SIDEWALL**

(71) Applicant: **The Goodyear Tire & Rubber Company, Akron, OH (US)**

(72) Inventors: **Paul Bryan Maxwell, Kent, OH (US);  
Stephanie Sue Franks, Ravenna, OH (US)**

(73) Assignee: **The Goodyear Tire & Rubber Company, Akron, OH (US)**

(\*\*) Term: **15 Years**

(21) Appl. No.: **29/555,205**

(22) Filed: **Feb. 19, 2016**

(51) **LOC (11) Cl.** ..... **12-15**

(52) **U.S. Cl.**  
USPC ..... **D12/605**

(58) **Field of Classification Search**  
USPC ..... D12/500-605, 900; D5/30; D7/396.4,  
D7/396.5, 588; 152/DIG. 12, 209, 209.8,  
152/209.9, 209.12, 209.16, 209.26,  
152/209.27, 517, 523, 524, 902, 903  
CPC ..... B60C 13/00; B60C 13/001; B60C 13/02;  
B60C 1/00; B60C 1/0025; B60C 17/08  
See application file for complete search history.

(56) **References Cited**

**U.S. PATENT DOCUMENTS**

D327,810 S *	7/1992	Unger	.....	D7/396.4
D492,648 S	7/2004	Maxwell et al.	.....	D12/605
D506,435 S	6/2005	Maxwell et al.	.....	D12/605
D517,003 S	3/2006	Shondel	.....	D12/605
D540,250 S	4/2007	Shondel	.....	D12/605
D540,739 S *	4/2007	Maxwell	.....	D12/605
D541,211 S	4/2007	Shondel et al.	.....	D12/605
D542,220 S *	5/2007	Shondel	.....	D12/605
D543,496 S	5/2007	Shondel et al.	.....	D12/605

D543,497 S	5/2007	Maxwell et al.	.....	D12/605
D543,499 S *	5/2007	Shondel	.....	D12/605
D543,932 S	6/2007	Shondel	.....	D12/605
D544,435 S *	6/2007	Kindig	.....	D12/605
D547,261 S	7/2007	Shondel et al.	.....	D12/605
D549,168 S	8/2007	Shondel et al.	.....	D12/605
D550,150 S	9/2007	Shondel	.....	D12/605
D552,536 S	10/2007	Shondel	.....	D12/605
D557,202 S	12/2007	Shondel	.....	D12/605
D558,138 S	12/2007	Shondel	.....	D12/605
D563,310 S *	3/2008	Shondel	.....	D12/605
D567,169 S	4/2008	Maxwell et al.	.....	D12/605
D574,320 S	8/2008	Dixon	.....	D12/605
D581,352 S	11/2008	Harvey	.....	D12/605
D581,353 S	11/2008	Harvey	.....	D12/605
D581,354 S	11/2008	Harvey	.....	D12/605
D583,313 S	12/2008	Harvey	.....	D12/605
D585,017 S *	1/2009	Shondel	.....	D12/605
D588,531 S	3/2009	Maxwell	.....	D12/605
D588,532 S	3/2009	Shondel	.....	D12/605
D593,939 S	6/2009	Maxwell	.....	D12/605
D605,583 S *	12/2009	Scheifele	.....	D12/605
D606,488 S *	12/2009	Scheifele	.....	D12/605

(Continued)

*Primary Examiner* — Wan Laymon

*Assistant Examiner* — Clint A Samuel

(74) *Attorney, Agent, or Firm* — Robert N. Lipsik

(57) **CLAIM**

The ornamental design for a tire sidewall, as shown and described.

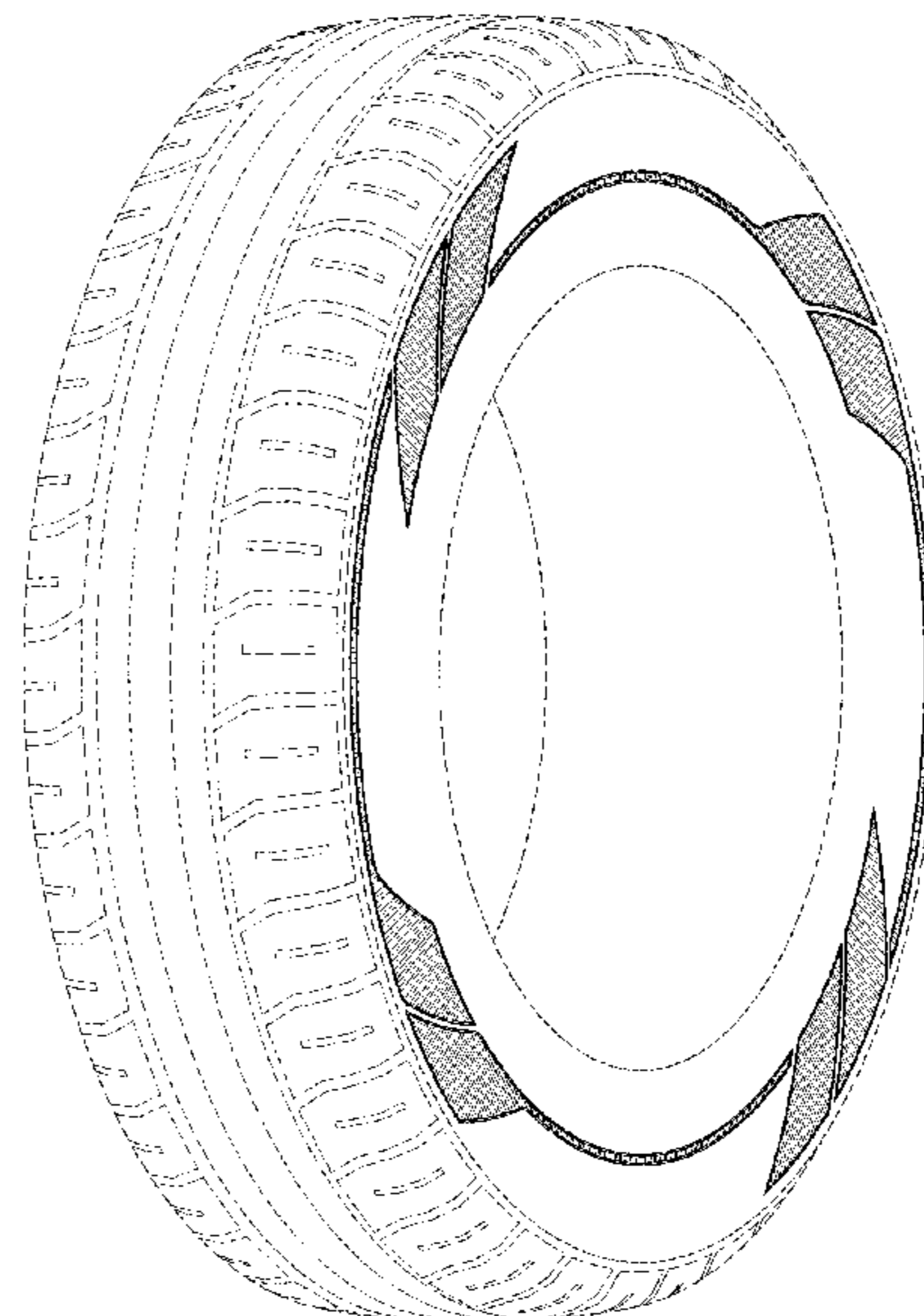
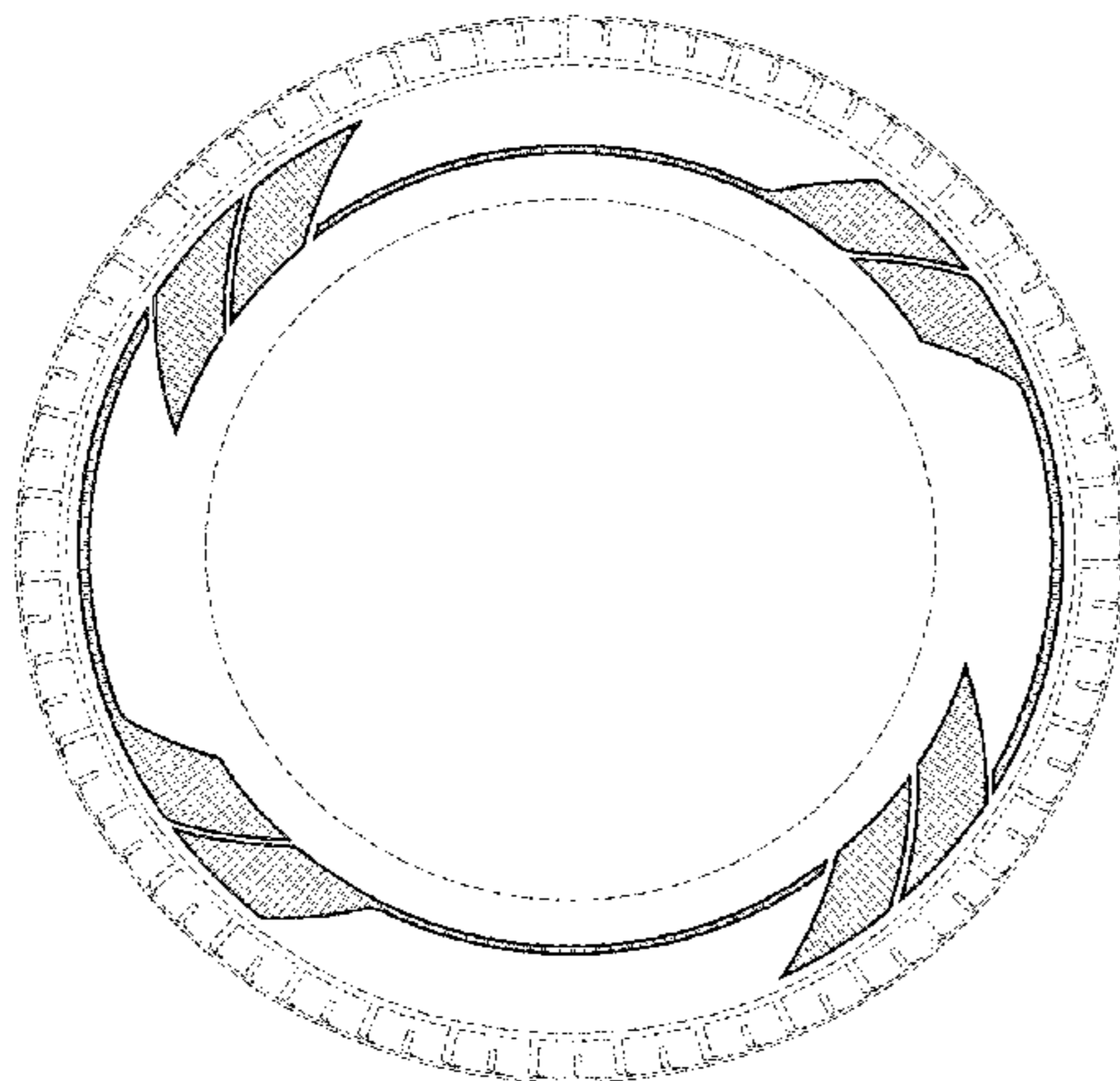
**DESCRIPTION**

FIG. 1 is a front elevational view of a tire sidewall showing our new design; and,

FIG. 2 is a perspective view thereof.

In the drawings, the broken lines showing of the tire tread, inner bead and the peripheral boundary between the tire tread and the sidewall in FIGS. 1 and 2 depict environmental subject matter and form no part of the claim.

**1 Claim, 2 Drawing Sheets**



(56)

**References Cited**

## U.S. PATENT DOCUMENTS

D606,933 S	12/2009	Palma et al. ....	D12/605
D608,275 S	1/2010	Maxwell .....	D12/605
D610,980 S	3/2010	Shondel .....	D12/605
D614,123 S	4/2010	Harvey .....	D12/605
D628,959 S	12/2010	Harvey .....	D12/605
D629,745 S	12/2010	Shondel .....	D12/605
D638,784 S *	5/2011	Scheifele .....	D12/605
D640,188 S *	6/2011	Strader .....	D12/605
D645,812 S *	9/2011	Tokizaki .....	D12/605
D647,474 S *	10/2011	Takahashi .....	D12/605
D655,671 S *	3/2012	Yasunaga .....	D12/605
D667,369 S	9/2012	Fontaine et al. ....	D12/605
D708,121 S *	7/2014	Iwabuchi .....	D12/605
D711,816 S *	8/2014	Iwabuchi .....	D12/605
D730,819 S *	6/2015	Scheifele .....	D12/605
D735,123 S *	7/2015	Iwabuchi .....	D12/605
D735,124 S *	7/2015	Iwabuchi .....	D12/605
D740,747 S *	10/2015	Sato .....	D12/605
D749,499 S *	2/2016	Iwabuchi .....	D12/605
D750,553 S *	3/2016	Scheifele .....	D12/605
D768,067 S *	10/2016	Kuwano .....	D12/605
D768,565 S *	10/2016	Yasunaga .....	D12/605
D769,806 S *	10/2016	Yasunaga .....	D12/605
D773,985 S *	12/2016	Sakamoto .....	D12/605
D773,986 S *	12/2016	Nakamura .....	D12/605
D773,988 S *	12/2016	Itoi .....	D12/605

\* cited by examiner

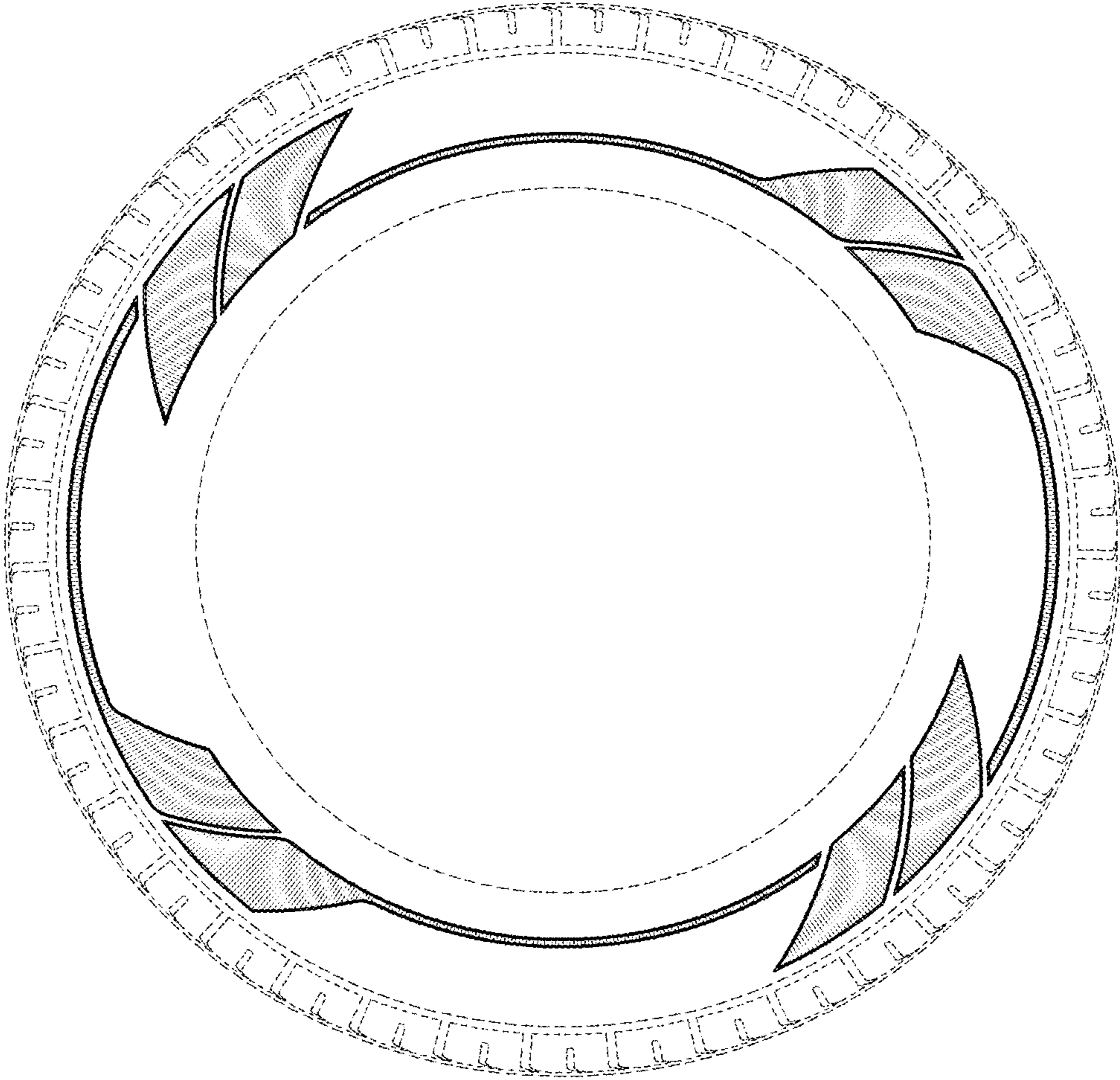


FIG-1



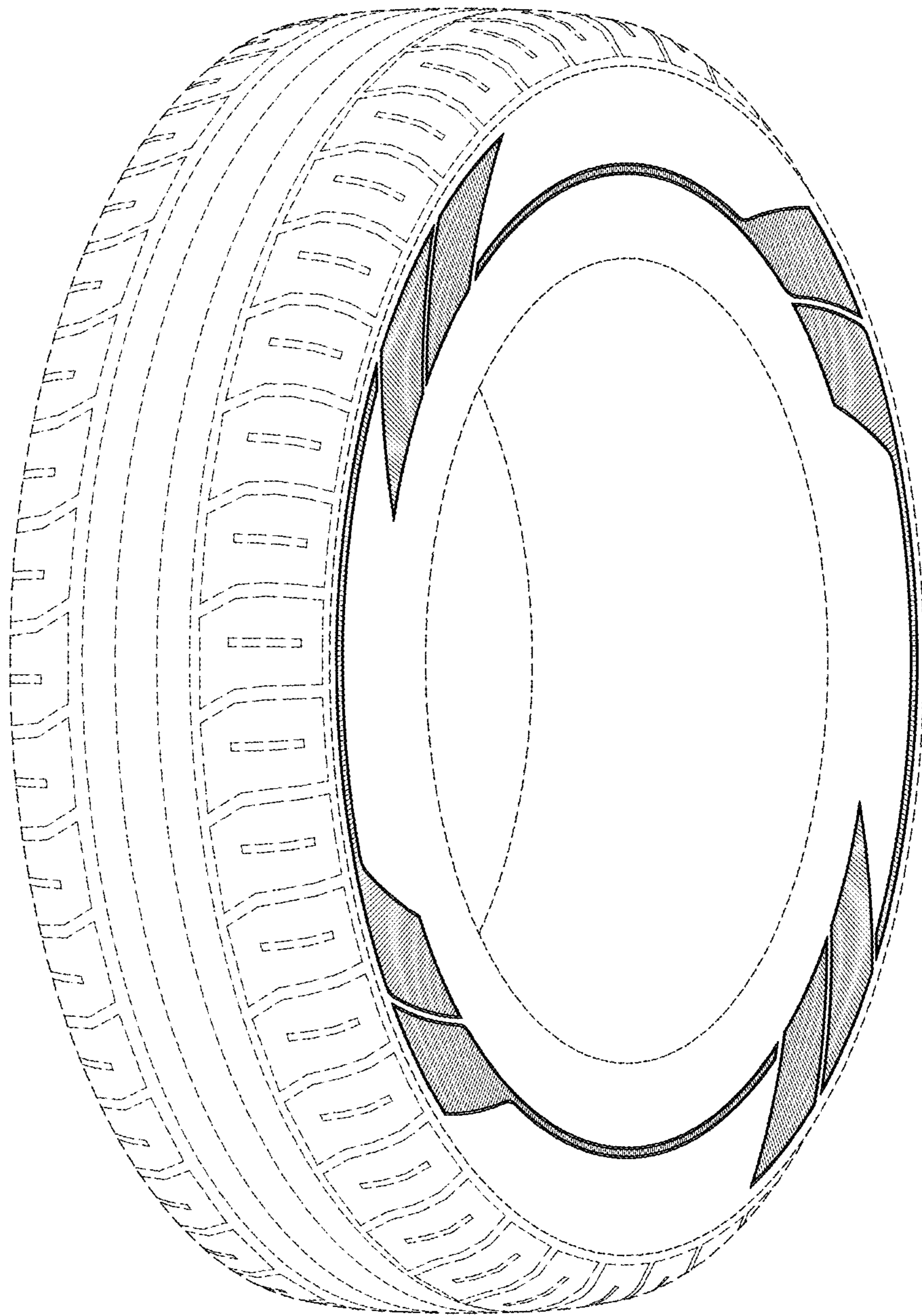


FIG-2