



US00D813789S

(12) **United States Design Patent**  
**Schyns et al.**

(10) **Patent No.:** **US D813,789 S**  
(45) **Date of Patent:** **\*\* Mar. 27, 2018**

- (54) **TIRE**
- (71) Applicant: **The Goodyear Tire & Rubber Company, Akron, OH (US)**
- (72) Inventors: **Christophe Henri Joseph Schyns, Rossart (BE); Suraj Sadananda, Colmar-Berg (LU); Jean-Julien Edouard Ghislain Krier, Bastogne (BE); Peter Johann Cornelius Maus, Bullingen (BE)**
- (73) Assignee: **The Goodyear Tire & Rubber Company, Akron, OH (US)**
- (\*\*) Term: **15 Years**
- (21) Appl. No.: **29/625,905**
- (22) Filed: **Nov. 14, 2017**
- (51) **LOC (11) Cl.** ..... **12-15**
- (52) **U.S. Cl.**  
USPC ..... **D12/521**
- (58) **Field of Classification Search**  
USPC ..... D12/515, 516, 517, 518, 519, 520, 521, D12/522, 523, 531, 532, 900  
See application file for complete search history.

- D480,045 S 9/2003 Durand et al. .... D12/601
- D500,288 S 12/2004 Maziarka et al. .... D12/601
- D504,865 S 5/2005 Maziarka et al. .... D12/521
- D517,468 S 3/2006 Le et al. .... D12/566
- D528,500 S 9/2006 Le et al. .... D12/600
- D533,498 S 12/2006 Scheuren et al. .... D12/588
- D534,858 S 1/2007 Le et al. .... D12/553

(Continued)

*Primary Examiner* — Robert M. Spear  
(74) *Attorney, Agent, or Firm* — Robert N. Lipsik

(57) **CLAIM**

The ornamental design for a tire, as shown and described.

**DESCRIPTION**

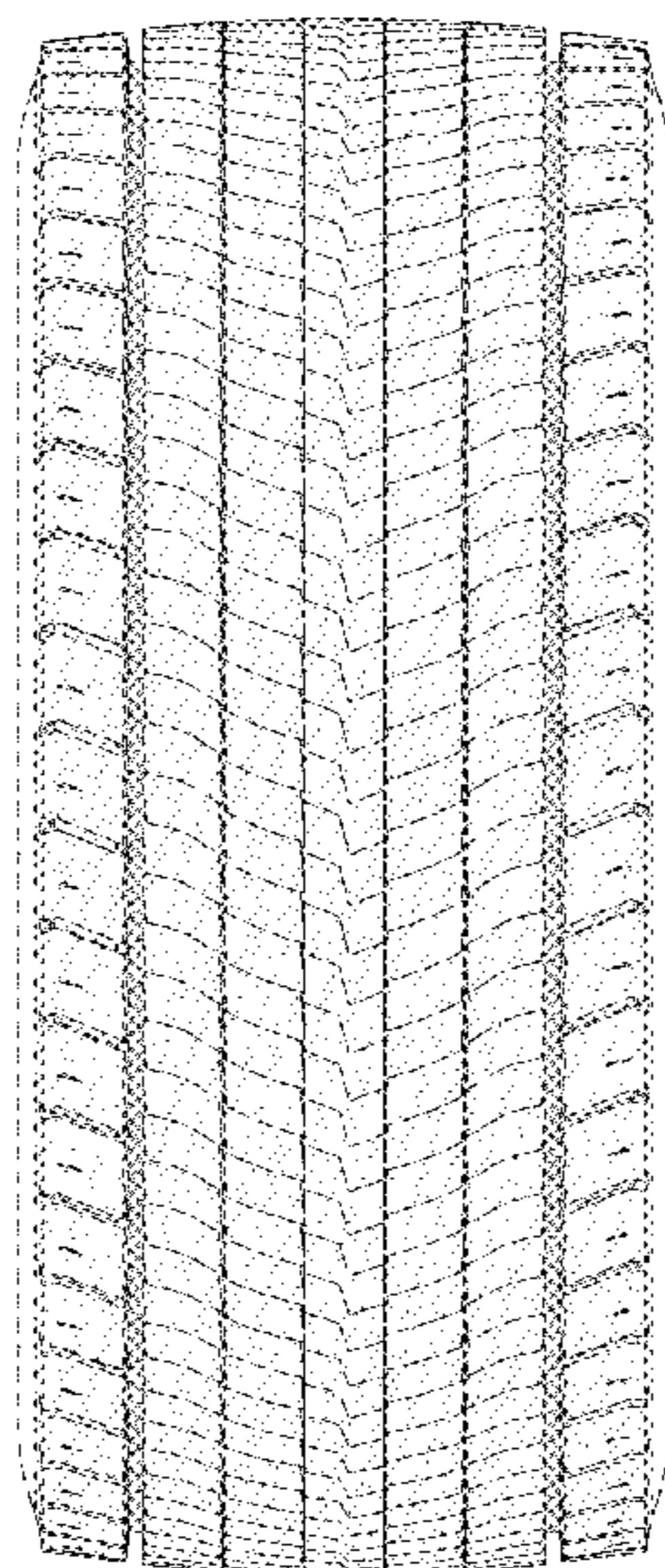
FIG. 1 is a perspective view of a tire showing our new design, it being understood that the pattern repeats uniformly throughout the circumference of the tread;  
 FIG. 2 is a front elevational view thereof;  
 FIG. 3 is a right side elevational view thereof; the left side elevational view being identical thereto;  
 FIG. 4 is an enlarged fragmentary front elevational view thereof;  
 FIG. 5 is a perspective view of a second embodiment of a tire showing our new design, it being understood that the interior of the tire forms no part of the claim, that the pattern repeats uniformly throughout the circumference of the tread and that the opposite side view is identical thereto; and,  
 FIG. 6 is a front elevational view of a second embodiment, it being understood that an enlarged fragmentary view thereof would be substantially identical to that shown in FIG. 4, with the exception of the inclusion of the sidewall in the claim.

In the drawings, the broken lines immediately adjacent to the outer edges of the tire shoulder represent boundaries of the claim, and the broken lines depict environmental subject matter only and form no part of the claimed design.

**1 Claim, 6 Drawing Sheets**

(56) **References Cited**  
U.S. PATENT DOCUMENTS

- D251,588 S 4/1979 Candiliotis ..... D12/143
- D448,709 S 10/2001 Le ..... D12/147
- D457,855 S 5/2002 Bawin et al. .... D12/582
- D470,454 S 2/2003 Helt ..... D12/582
- D471,512 S 3/2003 Weaver ..... D12/583
- D473,512 S 4/2003 Zurita ..... D12/574
- D474,147 S 5/2003 Zurita ..... D12/594
- D475,008 S 5/2003 Gillard et al. .... D12/594
- D477,809 S 7/2003 Zurita ..... D12/601



(56)

## References Cited

## U.S. PATENT DOCUMENTS

D541,731 S	5/2007	Maziarka et al. ....	D12/528
D555,078 S	11/2007	Radulescu et al. ....	D12/553
D579,855 S *	11/2008	Fontaine .....	D12/521
D583,752 S	12/2008	Georges et al. ....	D12/553
D585,816 S	2/2009	Campana .....	D12/584
D586,730 S	2/2009	Scheuren et al. ....	D12/553
D599,732 S	9/2009	Simon et al. ....	D12/580
D601,085 S	9/2009	Janesh et al. ....	D12/600
D604,226 S	11/2009	Scheuren .....	D12/553
D604,228 S	11/2009	Le et al. ....	D12/582
D604,229 S	11/2009	Le et al. ....	D12/582
D604,691 S	11/2009	Gervais .....	D12/584
D606,931 S	12/2009	Radulescu et al. ....	D12/600
D609,169 S	2/2010	Feider .....	D12/588
D627,710 S	11/2010	Rodicq et al. ....	D12/583
D637,142 S	5/2011	Nicolas et al. ....	D12/579
D643,361 S	8/2011	Voss et al. ....	D12/594
D668,202 S *	10/2012	Bonnamour .....	D12/517
D676,804 S	2/2013	Ogawa .....	D12/598
D733,036 S *	6/2015	Kuwano .....	D12/521
D737,756 S	9/2015	Mathonet et al. ....	D12/601
D740,743 S	10/2015	Houis et al. ....	D12/553
D741,791 S	10/2015	Severyn .....	D12/601
D750,013 S	2/2016	Houis et al. ....	D12/564
D752,504 S *	3/2016	Sareen .....	D12/521
D758,956 S	6/2016	Mathonet et al. ....	D12/565
D761,192 S	7/2016	Dixon et al. ....	D12/594
D761,725 S	7/2016	Dixon et al. ....	D12/600
D764,393 S	8/2016	Madar et al. ....	D12/588
D764,397 S	8/2016	Dixon et al. ....	D12/601
D785,551 S	5/2017	Farinelle et al. ....	D12/588
D789,277 S *	6/2017	Dixon .....	D12/518
D791,691 S	7/2017	Tanabe .....	D12/603

\* cited by examiner

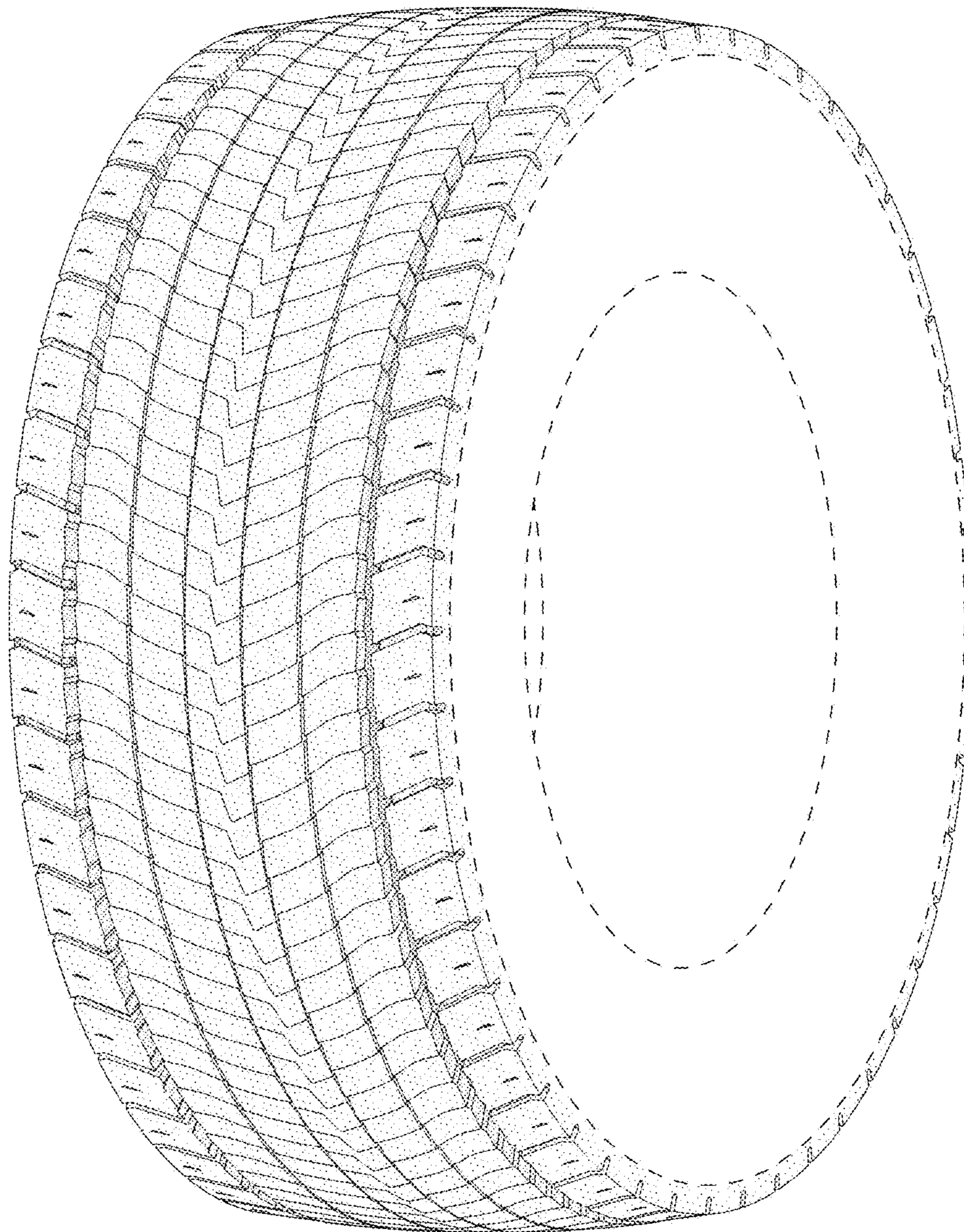


FIG - 1

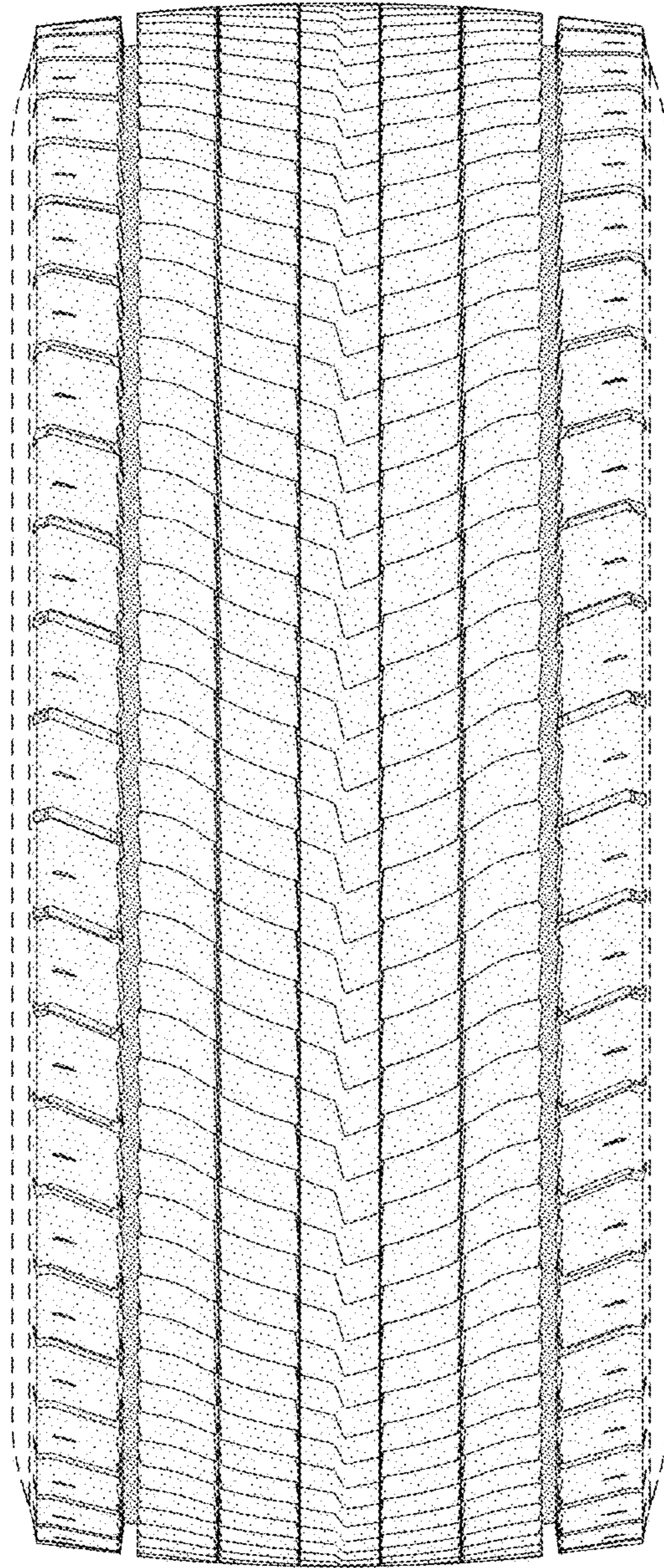


FIG - 2

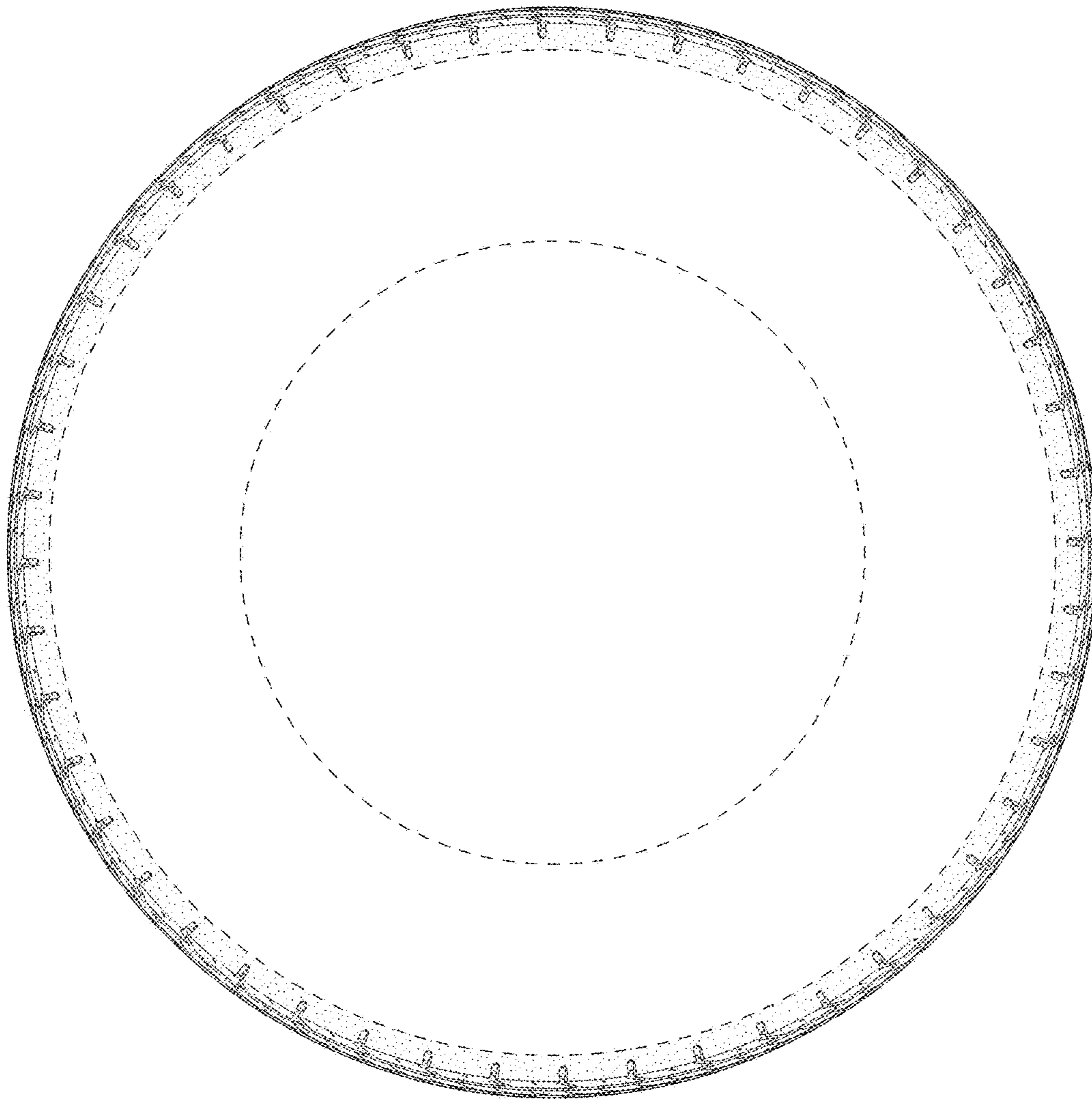


FIG - 3

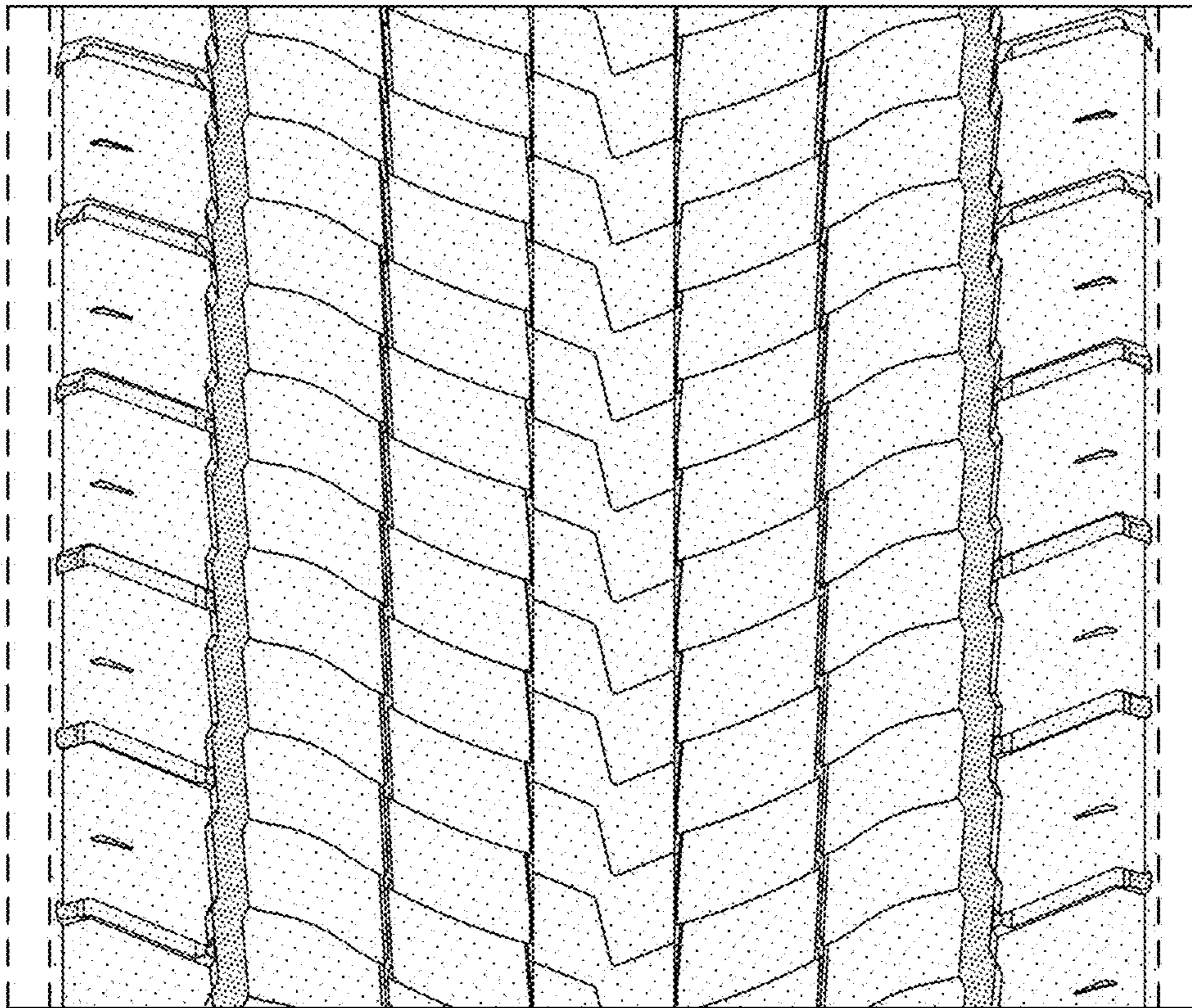


FIG - 4

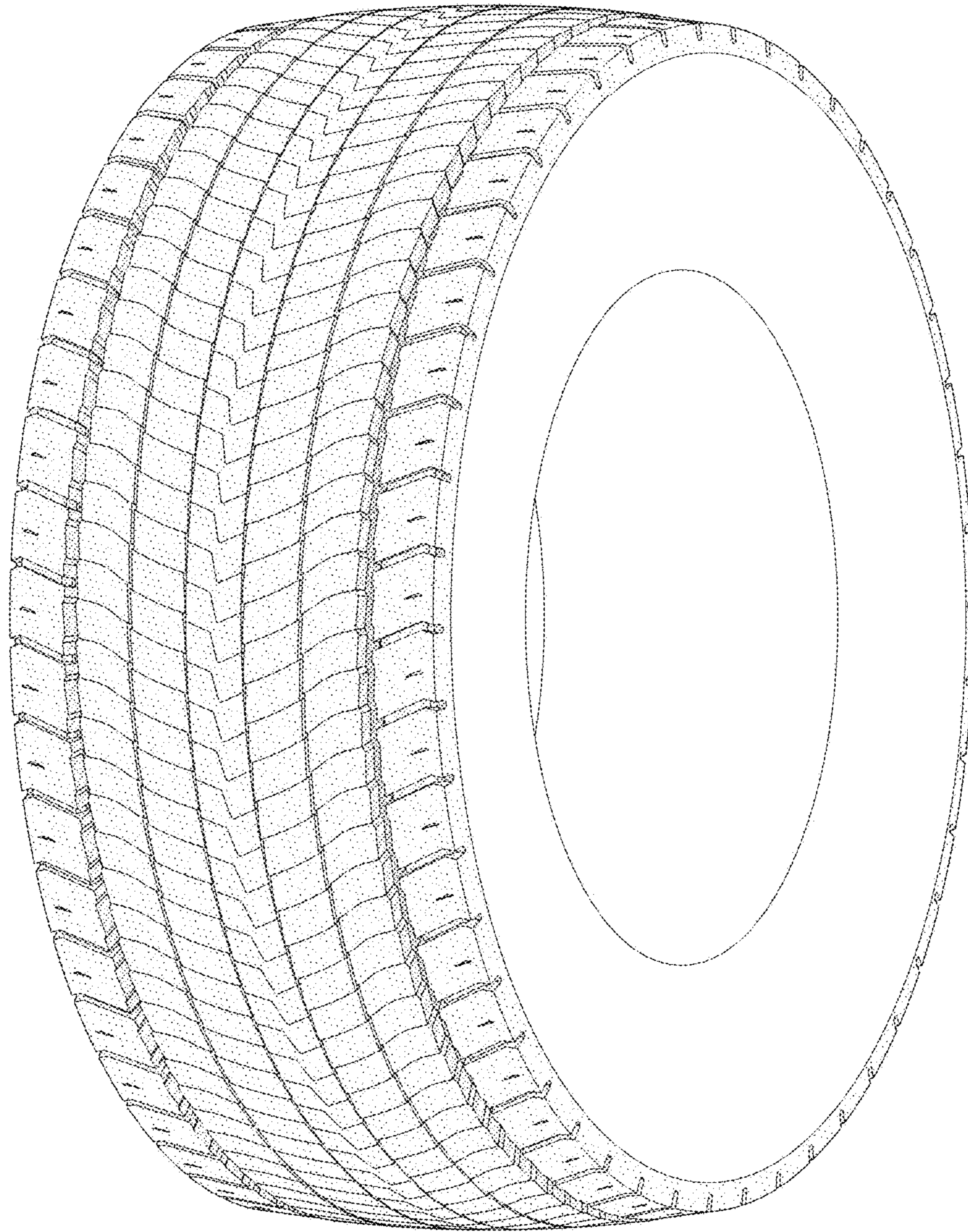


FIG - 5

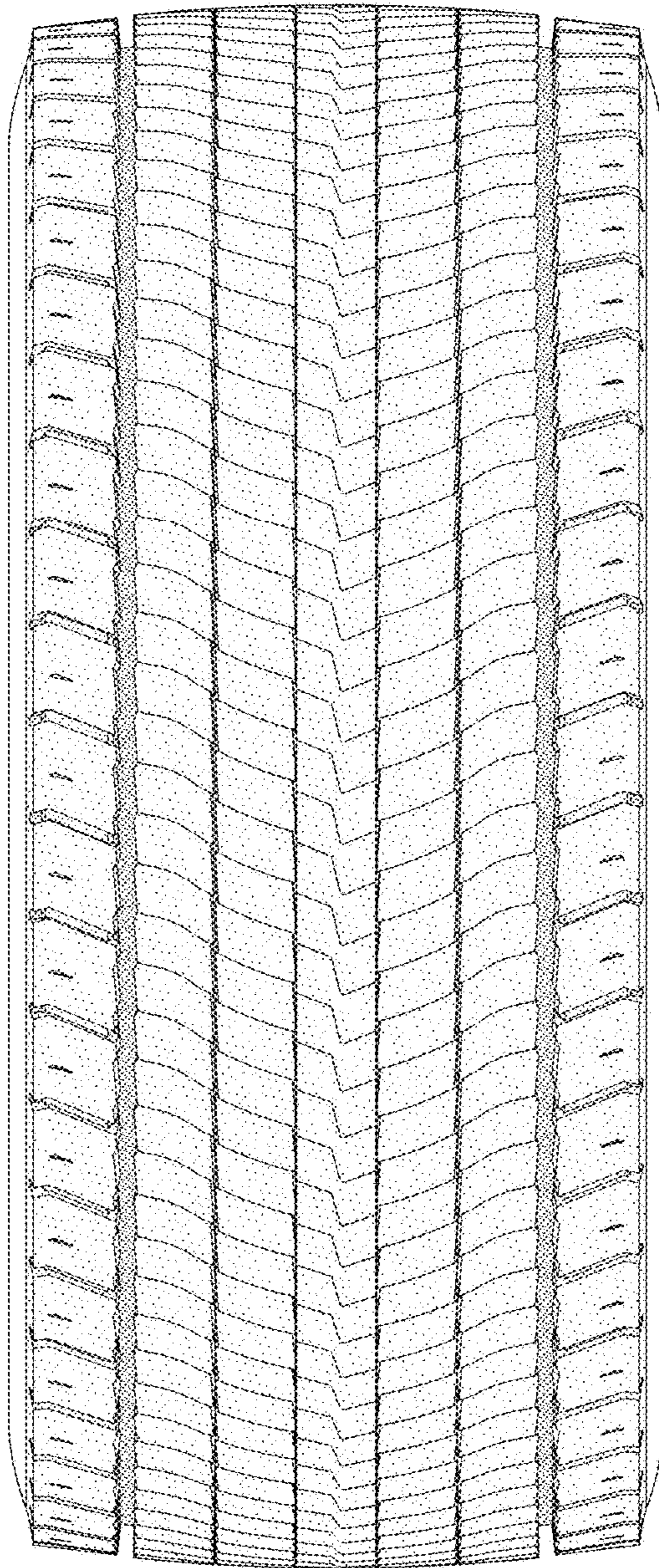


FIG - 6