



US00D813786S

(12) **United States Design Patent**
Adler et al.

(10) **Patent No.:** **US D813,786 S**
(45) **Date of Patent:** **** Mar. 27, 2018**

(54) **KAYAK SADDLE**
(71) Applicant: **Thule Sweden AB**, Hillerstorp (SE)
(72) Inventors: **Jan Adler**, Skillingaryd (SE); **Daniel Connors**, Southbury, CT (US)
(73) Assignee: **Thule Sweden AB**, Hillerstorp (SE)
(**) Term: **15 Years**
(21) Appl. No.: **29/566,184**
(22) Filed: **May 27, 2016**
(51) **LOC (11) Cl.** **12-16**
(52) **U.S. Cl.**
USPC **D12/412**
(58) **Field of Classification Search**
USPC D12/221, 400, 401, 412, 317, 406, 414,
D12/175, 176, 177, 197, 199, 201, 202,
D12/204, 212; D34/16, 23, 28, 34, 35,
D34/38, 21, 22, 24; D6/716
CPC ... A01L 31/00; B65G 7/12; B60P 1/00; B60P
3/1008; B60R 9/08; B60R 9/045; B60R
9/048
See application file for complete search history.

D476,129 S * 6/2003 Witt D34/23
7,131,561 B2 11/2006 Humes
D623,120 S * 9/2010 Farber D12/412
D637,949 S * 5/2011 Farber D12/412
D665,726 S 8/2012 Eriksson
D684,105 S * 6/2013 Foster D12/412
8,556,146 B2 * 10/2013 Sautter B60R 9/048
224/325
9,067,522 B2 * 6/2015 Laverack B60R 9/045
D739,990 S * 9/2015 Sautter D34/16
D781,614 S * 3/2017 Taylor D6/552
2017/0028929 A1 * 2/2017 Connors B60R 9/048
2017/0028930 A1 * 2/2017 Connors B60R 9/048

* cited by examiner

Primary Examiner — Karen S Acker
Assistant Examiner — Jerry Shiuan-Hua Hsu
(74) *Attorney, Agent, or Firm* — Sterne, Kessler,
Goldstein & Fox P.L.L.C.

(57) **CLAIM**

The ornamental design for a kayak saddle, as shown and described.

DESCRIPTION

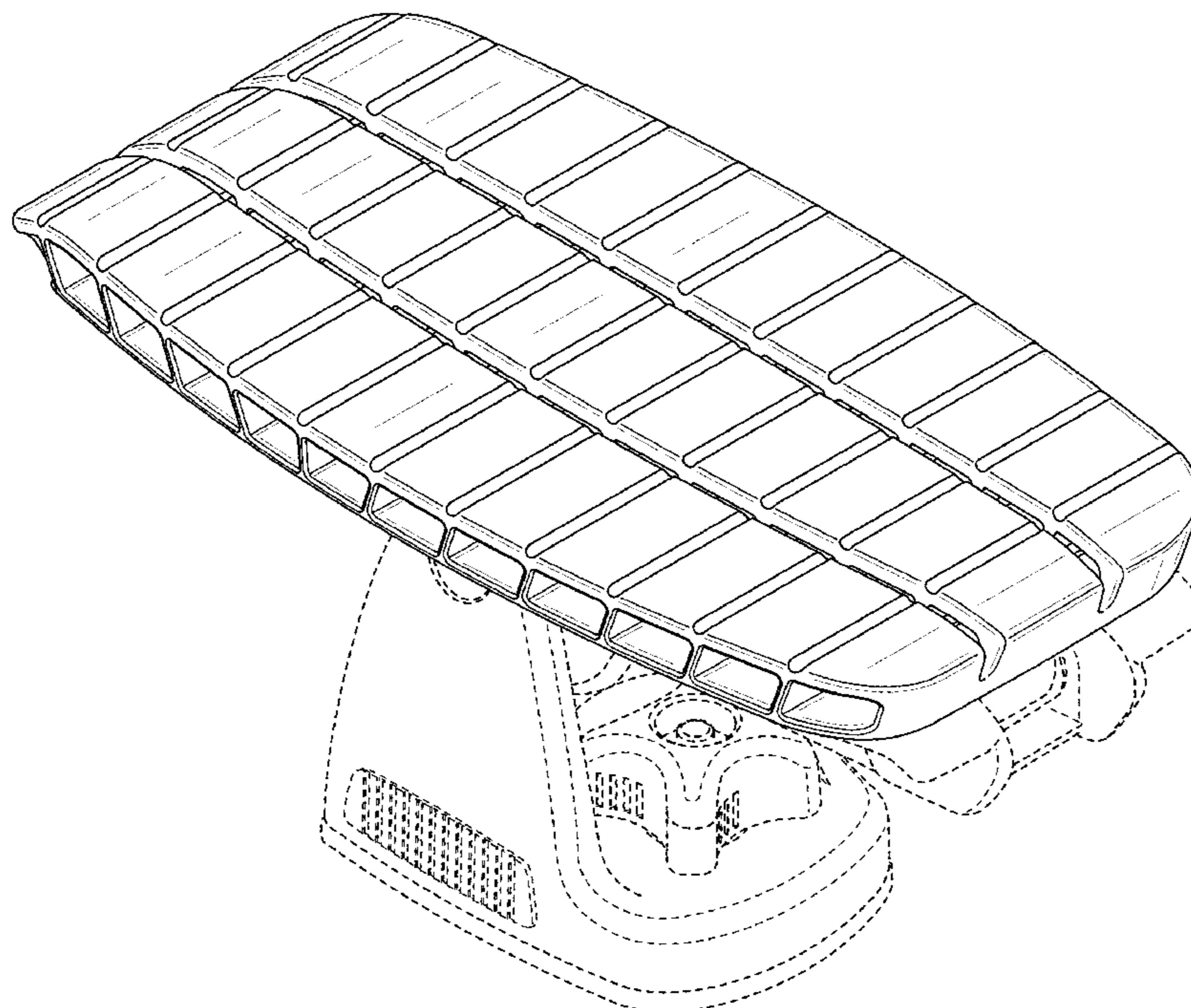
FIG. 1 is a top perspective view of a kayak saddle showing the claimed design;
FIG. 2 is a left side view thereof;
FIG. 3 is a right side view thereof;
FIG. 4 is a front view thereof;
FIG. 5 is a rear view thereof;
FIG. 6 is a top view thereof; and,
FIG. 7 is a bottom view thereof.

1 Claim, 7 Drawing Sheets

(56) **References Cited**

U.S. PATENT DOCUMENTS

5,516,017 A 5/1996 Arvidsson
D386,145 S * 11/1997 Staller D12/412
5,951,231 A * 9/1999 Allen B60P 3/1008
193/35 A
6,164,507 A * 12/2000 Dean B60R 9/08
224/319



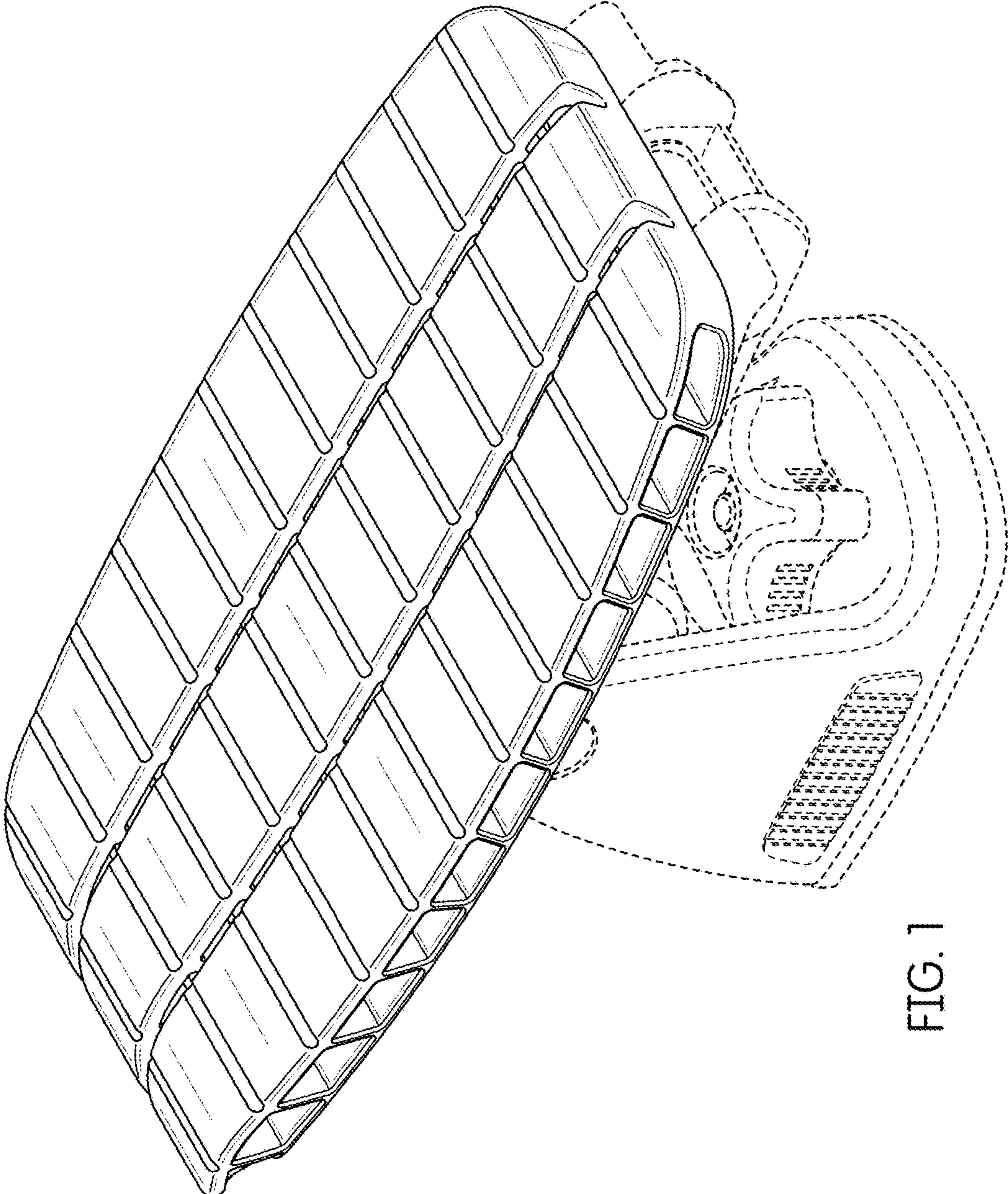


FIG. 1

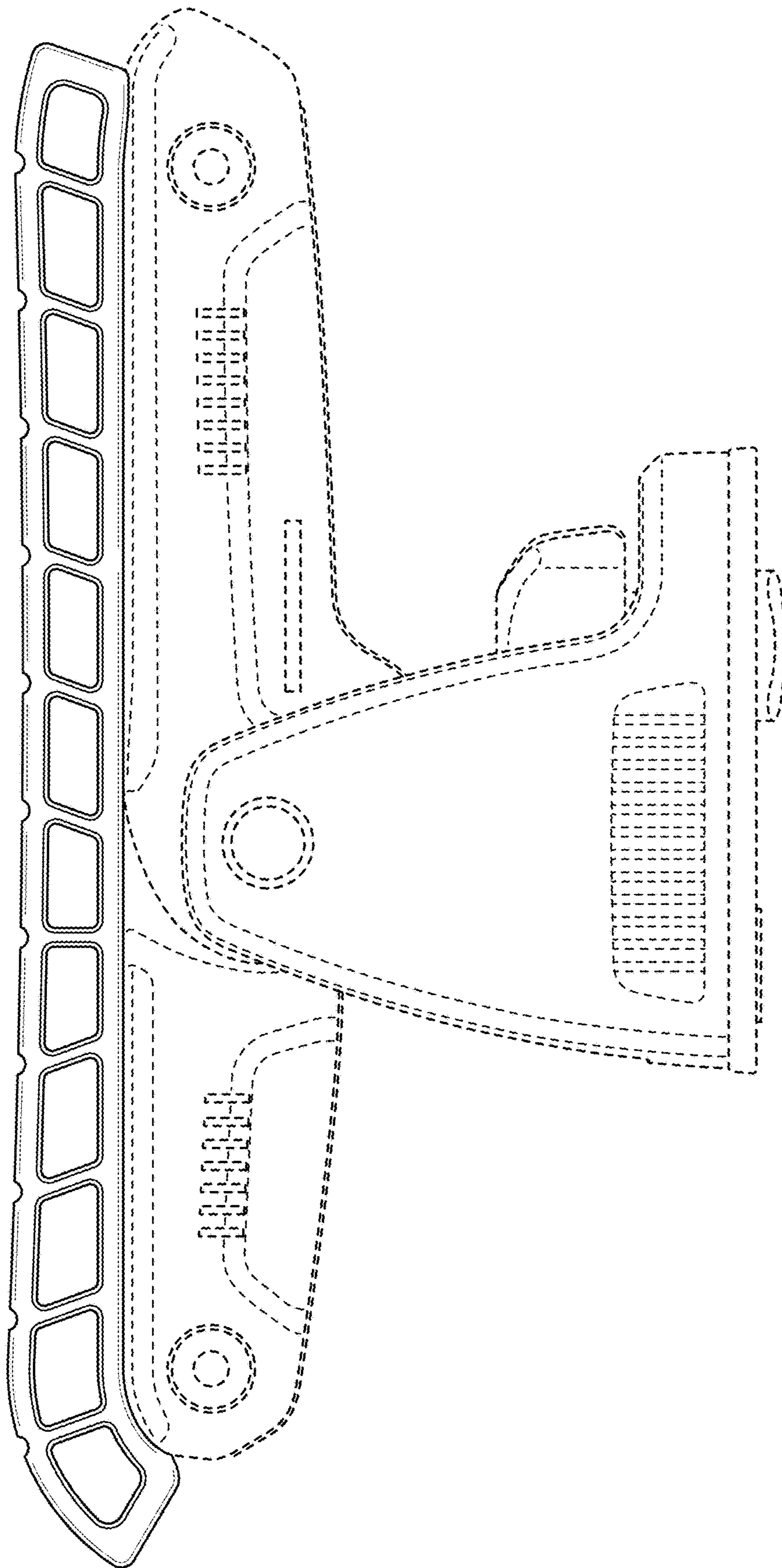


FIG. 2

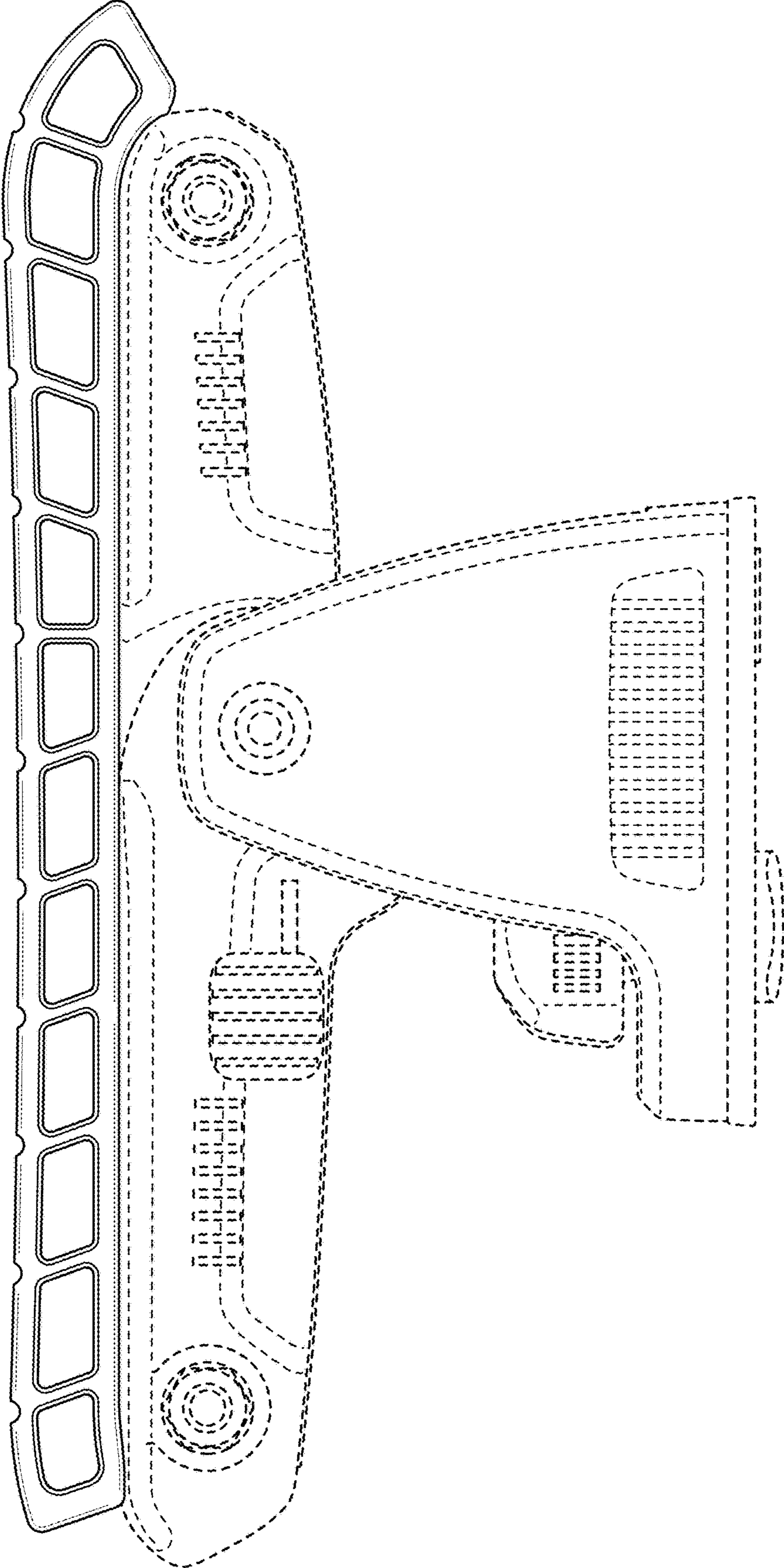


FIG. 3

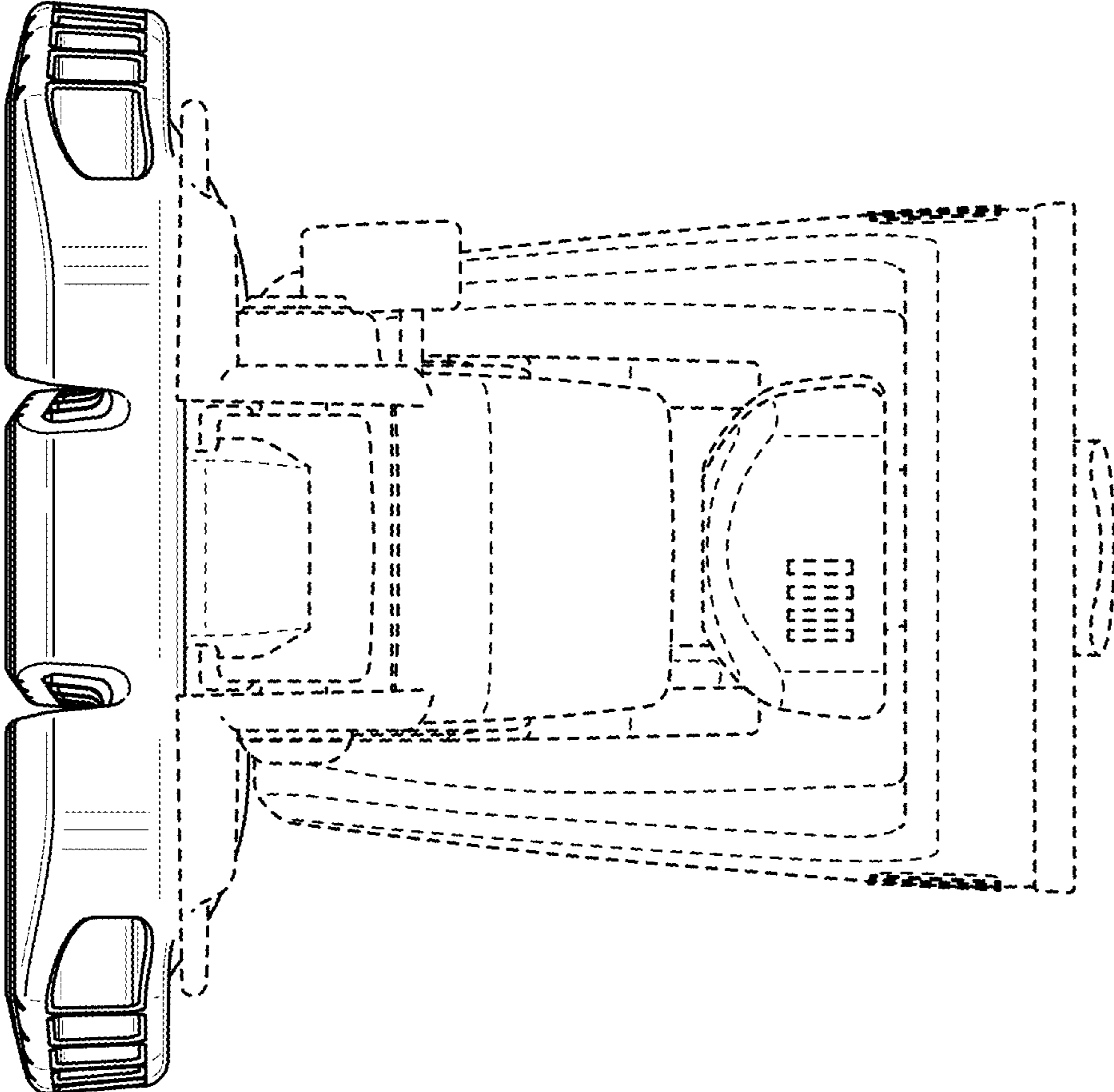


FIG. 4

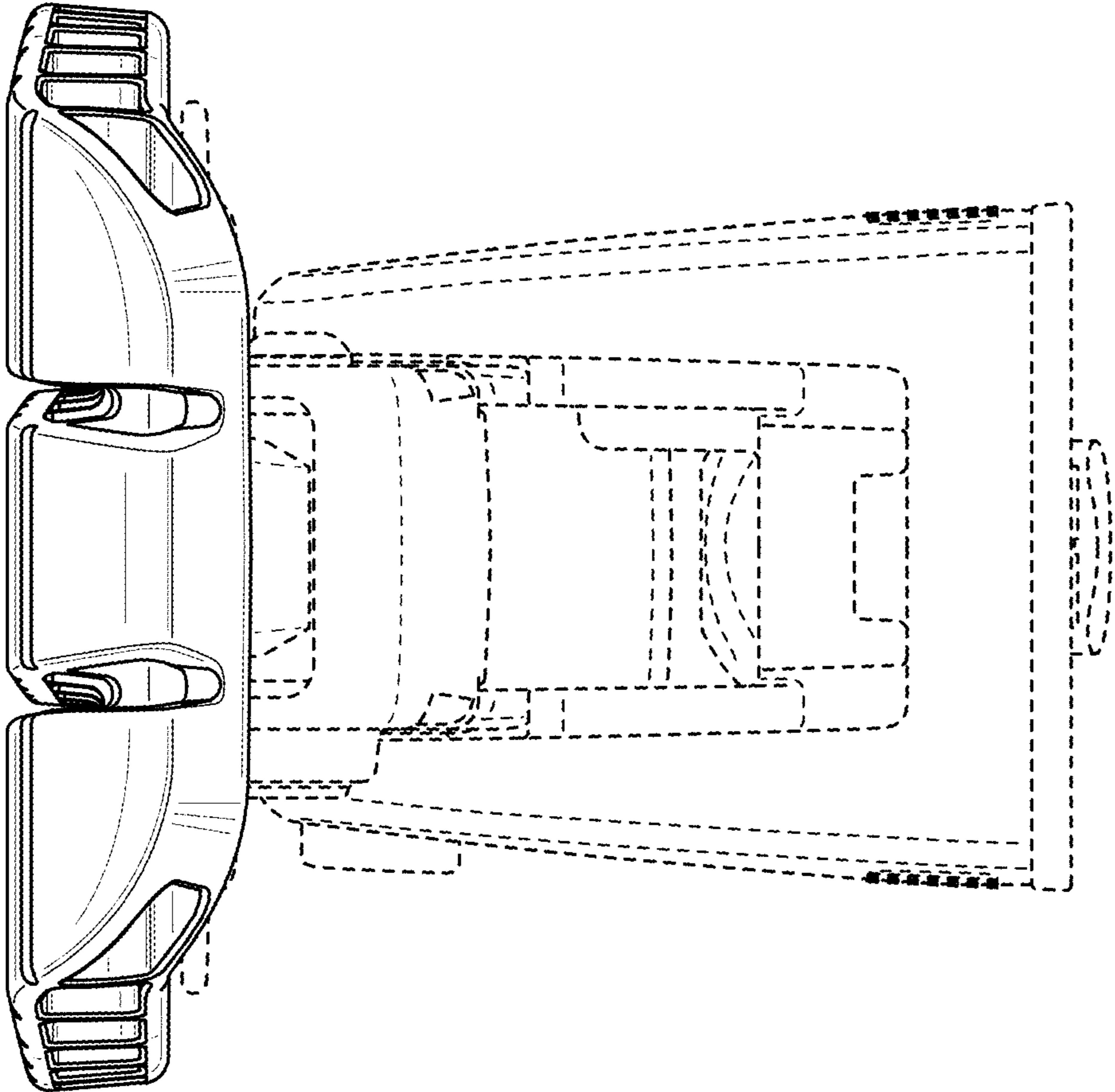


FIG. 5

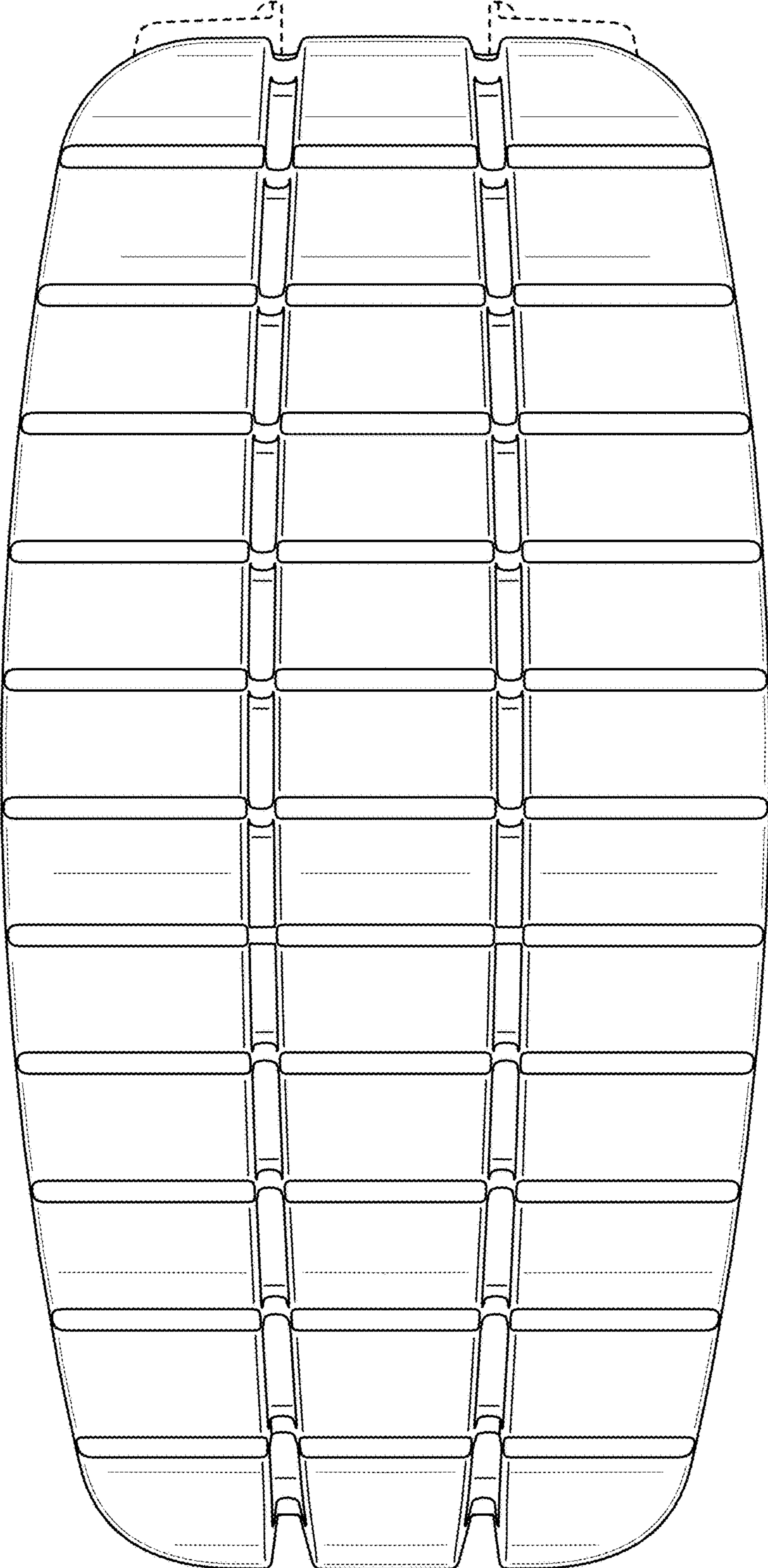


FIG. 6

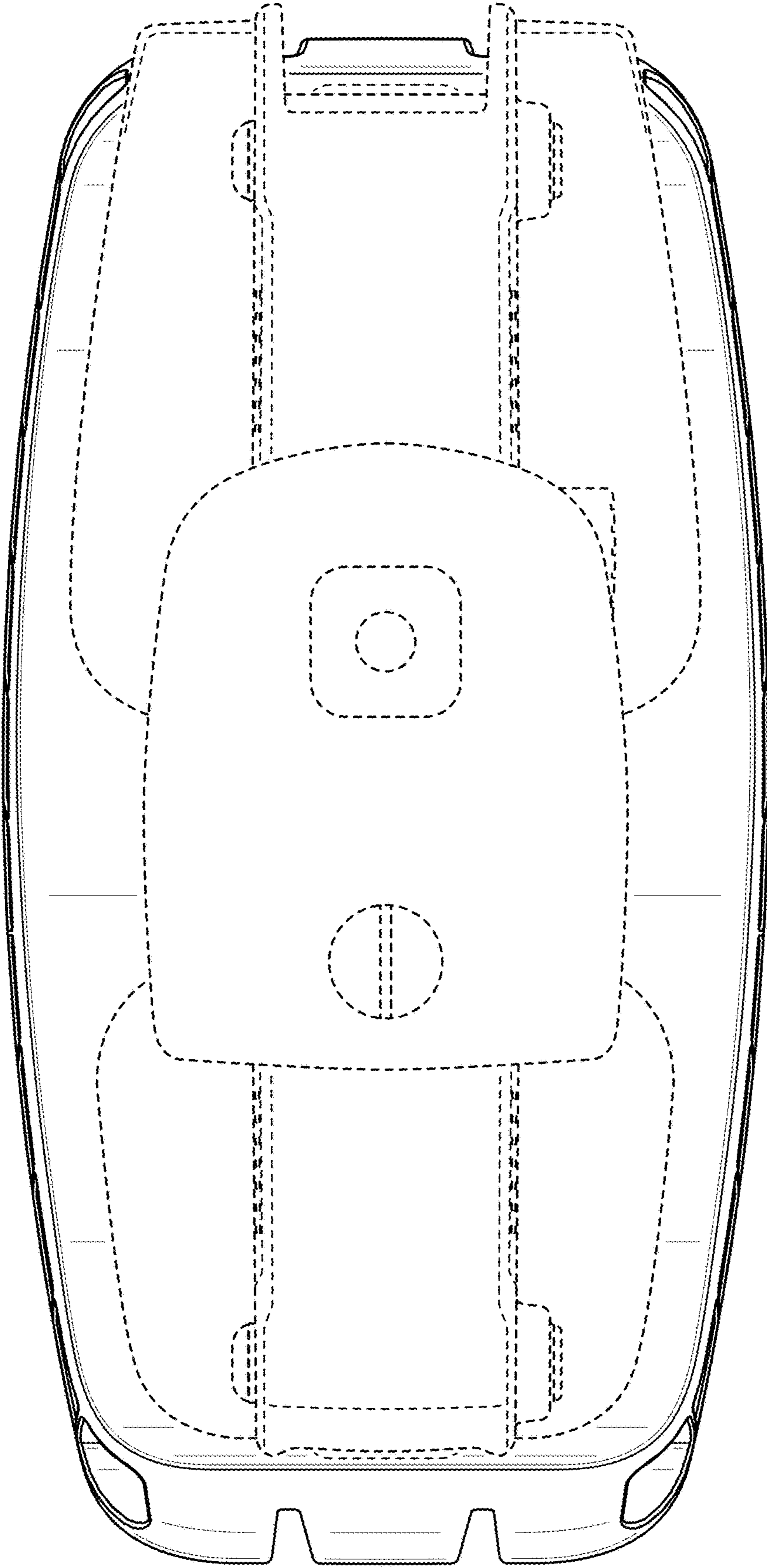


FIG. 7

UNITED STATES PATENT AND TRADEMARK OFFICE
CERTIFICATE OF CORRECTION

PATENT NO. : D813,786 S
APPLICATION NO. : 29/566184
DATED : March 27, 2018
INVENTOR(S) : Adler et al.

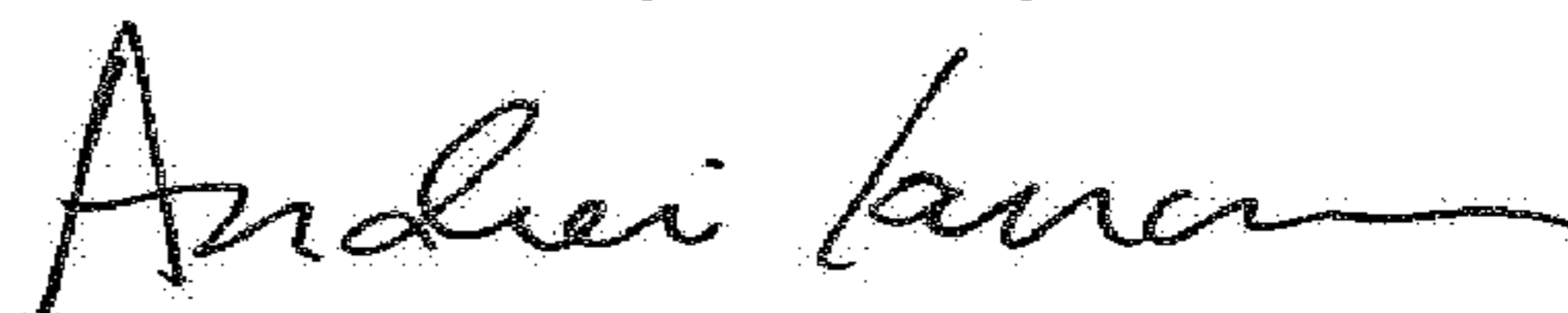
Page 1 of 1

It is certified that error appears in the above-identified patent and that said Letters Patent is hereby corrected as shown below:

On the Title Page

Column 2, item (57) in the Description, please add the following paragraph after Line 8 as follows:
--The broken lines in the figures show portions of the kayak saddle that form no part of the claimed design.--

Signed and Sealed this
First Day of May, 2018



Andrei Iancu
Director of the United States Patent and Trademark Office