



US00D813780S

(12) **United States Design Patent**
Sempek

(10) **Patent No.:** **US D813,780 S**

(45) **Date of Patent:** **** Mar. 27, 2018**

- (54) **WHEEL RIM**
- (71) Applicant: **Allied Wheel Components**, Garden Grove, CA (US)
- (72) Inventor: **Christopher Sean Sempek**, Long Beach, CA (US)
- (73) Assignee: **ALLIED WHEEL COMPONENTS**, Garden Grove, CA (US)
- (**) Term: **15 Years**

D638,763 S *	5/2011	Chung	D12/209
D639,222 S	6/2011	Johnson		
D659,067 S *	5/2012	Lee	D12/209
D667,767 S *	9/2012	Gotschke	D12/209
D675,970 S *	2/2013	Lee	D12/209
D678,155 S *	3/2013	Gotschke	D12/209
D680,936 S *	4/2013	Claunch	D12/209
D684,101 S *	6/2013	Alfonso	D12/211
D715,724 S *	10/2014	Chung	D12/211
D722,937 S *	2/2015	Johnson	D12/209
D723,992 S *	3/2015	Zhao	D12/209
D727,233 S *	4/2015	Kong	D12/209
D739,327 S *	9/2015	Wagener	D12/209
D746,754 S *	1/2016	Johnson	D12/209

- (21) Appl. No.: **29/573,304**
- (22) Filed: **Aug. 4, 2016**
- (51) **LOC (11) Cl.** **12-16**
- (52) **U.S. Cl.**
USPC **D12/209**
- (58) **Field of Classification Search**
USPC D12/204–213
CPC B60B 7/00; B60B 7/02; B60B 7/04; B60B 7/01; B60B 7/06; B60B 3/02; B60B 3/04; B60B 3/06; B60B 3/10; B60B 1/00; B60B 1/08; B60B 1/10; B60B 1/12
See application file for complete search history.

OTHER PUBLICATIONS

Raceline Wheels catalog, vol. 22; Dec. 2, 2015.
Raceline Wheels catalog, vol. 26, Mar. 23, 2016.

* cited by examiner

Primary Examiner — Sandra Snapp
(74) *Attorney, Agent, or Firm* — Fish IP Law, LLC

(57) **CLAIM**

The ornamental design for a wheel rim, as shown and described.

DESCRIPTION

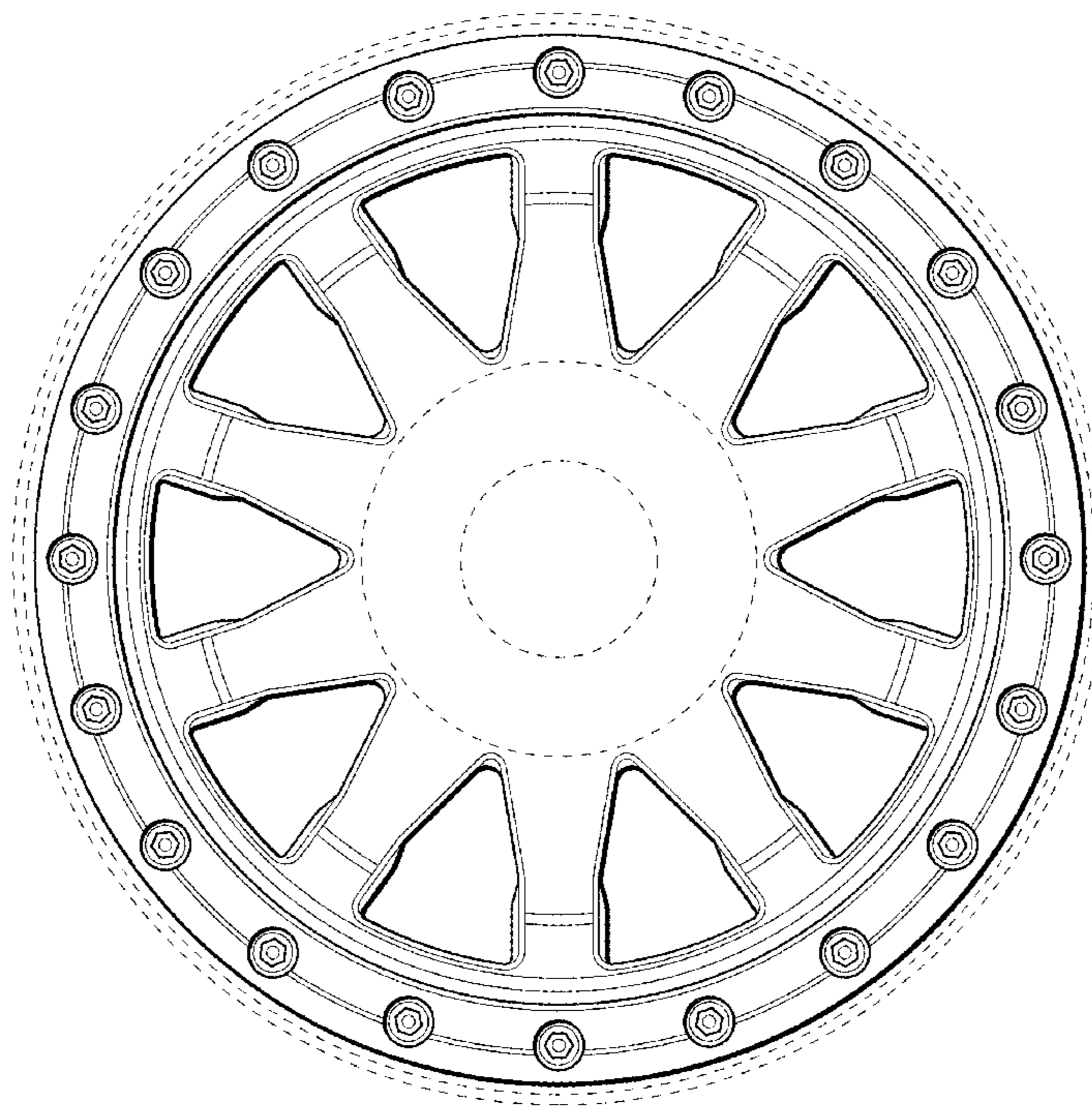
FIG. 1 is a top, front, right side perspective view of a wheel rim of the new design; and, FIG. 2 is a front elevation view thereof. In the drawings, the broken lines depict environmental subject matter only and form no part of the claimed design.

1 Claim, 2 Drawing Sheets

(56) **References Cited**

U.S. PATENT DOCUMENTS

D419,947 S *	2/2000	Chung	D12/211
D444,119 S *	6/2001	Brintouch	D12/211
D583,291 S *	12/2008	Treadway	D12/211
D596,099 S *	7/2009	Chung	D12/209
D620,425 S *	7/2010	Zhao	D12/211



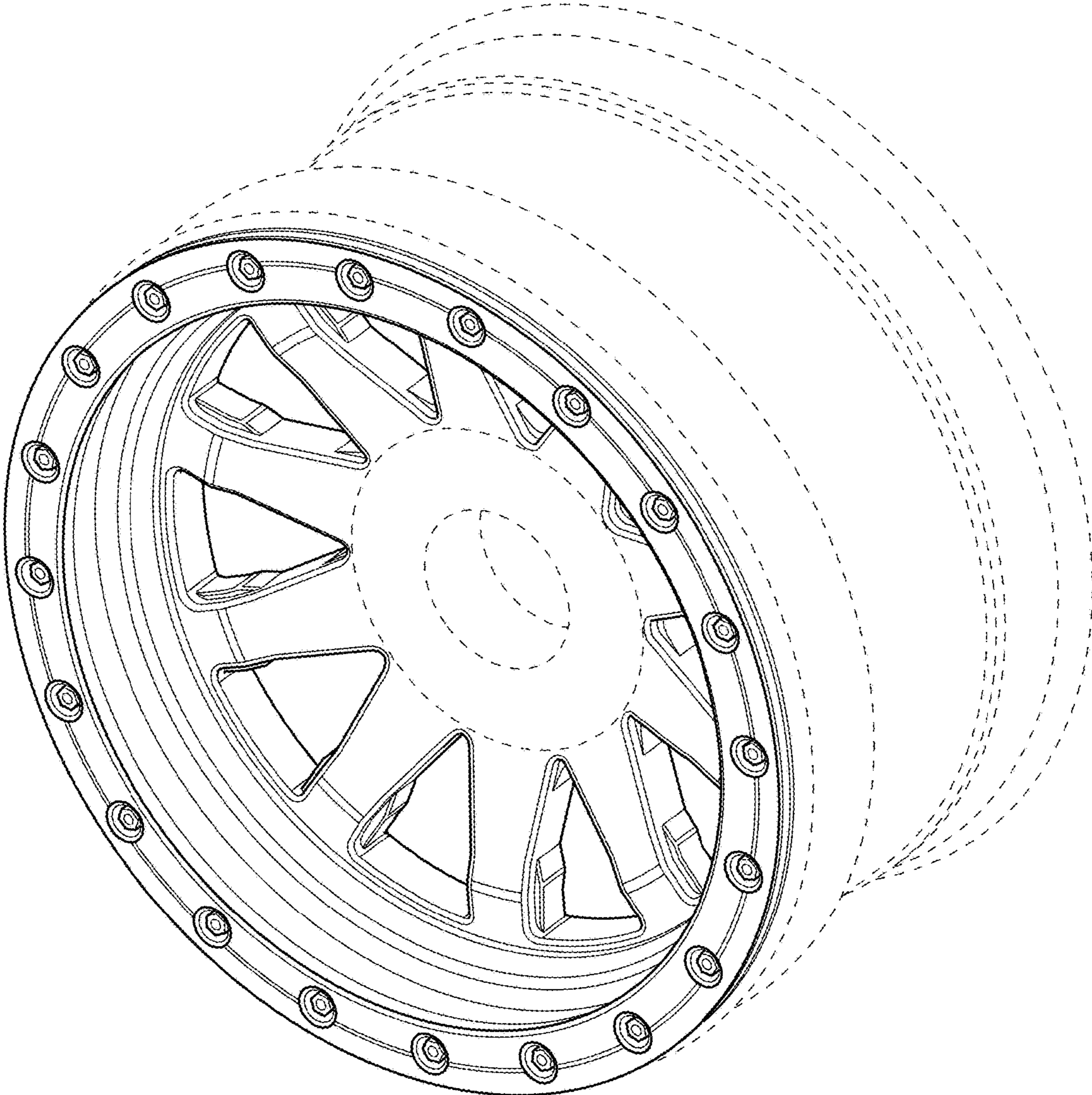


FIG. 1

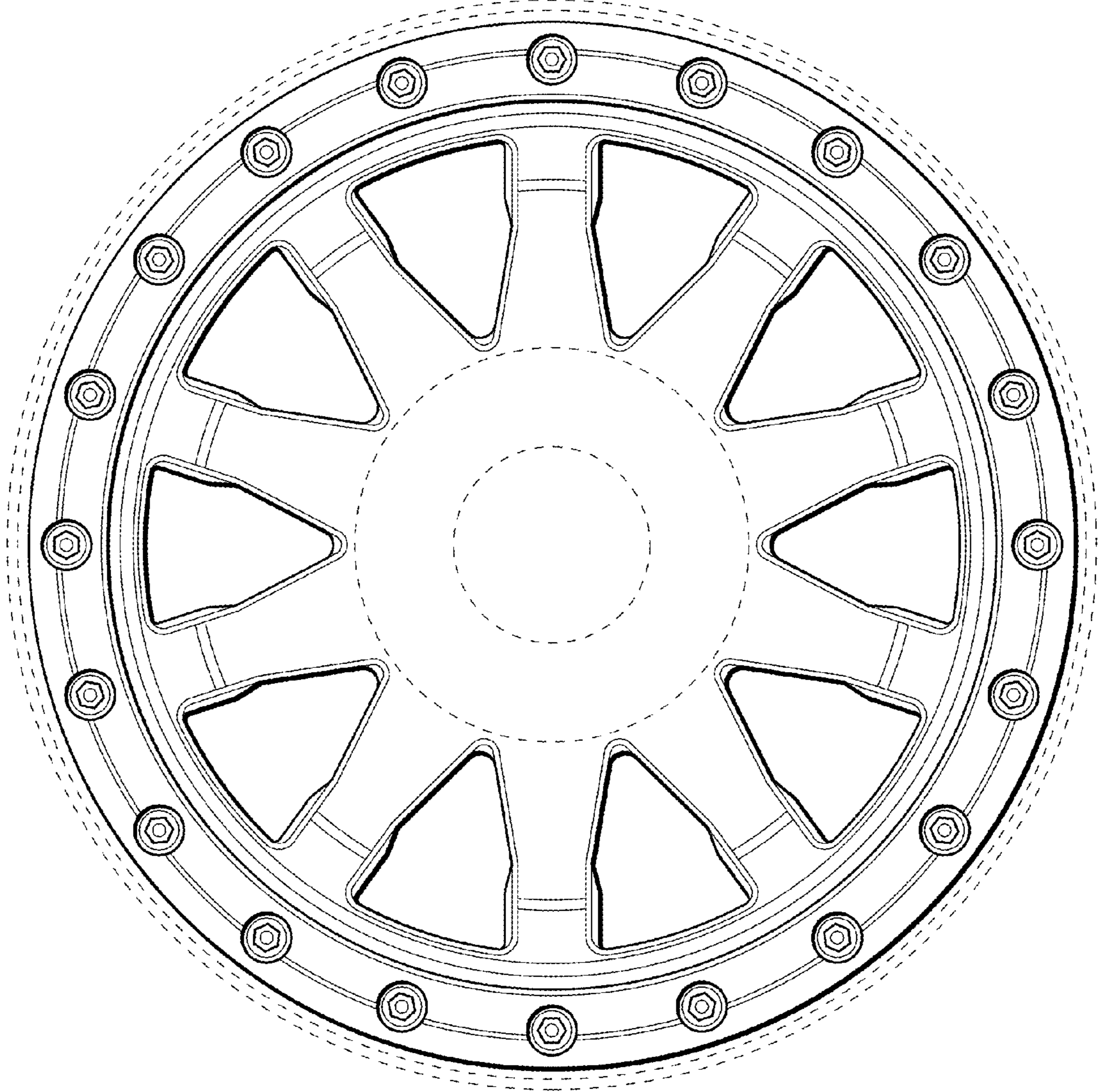


FIG. 2