



US00D813779S

(12) **United States Design Patent**  
**Biderman et al.**

(10) **Patent No.:** **US D813,779 S**  
(45) **Date of Patent:** **\*\* Mar. 27, 2018**

- (54) **SMILE SHAPED SPOKE INTERFACE ON A BICYCLE WHEEL HUB**
- (71) Applicant: **Superpedestrian Inc.**, Cambridge, MA (US)
- (72) Inventors: **Assaf Biderman**, Boston, MA (US); **Carlo Ratti**, Turin (IT); **Christine Louise Outram**, Los Angeles, CA (US)
- (73) Assignee: **Massachusetts Institute of Technology**, Cambridge, MA (US)
- (\*\*) Term: **14 Years**
- (21) Appl. No.: **29/514,540**
- (22) Filed: **Jan. 13, 2015**

D232,630	S	*	9/1974	Stroonian	.....	D12/205
D269,081	S	*	5/1983	Hayashi	.....	D12/205
D269,506	S	*	6/1983	Suzuki	.....	D12/205
D269,603	S	*	7/1983	Whitmarsh	.....	D12/205
D281,062	S	*	10/1985	Hess	.....	D12/205
D312,998	S	*	12/1990	Carlson	.....	D12/205
D458,202	S	*	6/2002	Passarotto	.....	D12/205
D462,042	S	*	8/2002	Bernardi	.....	D12/205
D472,507	S	*	4/2003	Passarotto	.....	D12/205
D498,722	S	*	11/2004	Smith	.....	D12/205
D596,547	S	*	7/2009	Passarotto	.....	D12/205
7,673,946	B1	*	3/2010	Hed	.....	B60B 7/00 301/110.5
D625,333	S	*	10/2010	Tanaka	.....	D12/111
D657,726	S	*	4/2012	Finnie	.....	D12/205
9,027,681	B2	*	5/2015	Biderman	.....	B60B 1/003 180/220
D764,365	S	*	8/2016	Hirai	.....	D12/205
2016/0075177	A1	*	3/2016	Biderman	.....	B60L 3/003 301/6.5

(Continued)

**Related U.S. Application Data**

- (63) Continuation of application No. 12/960,461, filed on Dec. 3, 2010, now Pat. No. 9,027,681.
- (51) **LOC (11) Cl.** ..... **12-16**
- (52) **U.S. Cl.**  
USPC ..... **D12/207**
- (58) **Field of Classification Search**  
USPC ..... D12/204–213; D15/3; 301/6.5  
CPC .... B60B 7/00; B60B 7/02; B60B 7/04; B60B 7/01; B60B 7/06; B60B 3/02; B60B 3/04; B60B 3/06; B60B 3/10; B60B 1/00; B60B 1/08; B60B 1/10; B60B 1/12; B60B 1/0003; B60B 27/04; B60B 27/0015  
See application file for complete search history.

*Primary Examiner* — George D. Kirschbaum

*Assistant Examiner* — Joseph J Kukella

(74) *Attorney, Agent, or Firm* — GTC Law Group PC & Affiliates

(57) **CLAIM**

The ornamental design for a smile shaped spoke interface on a bicycle wheel hub, as shown and described.

**DESCRIPTION**

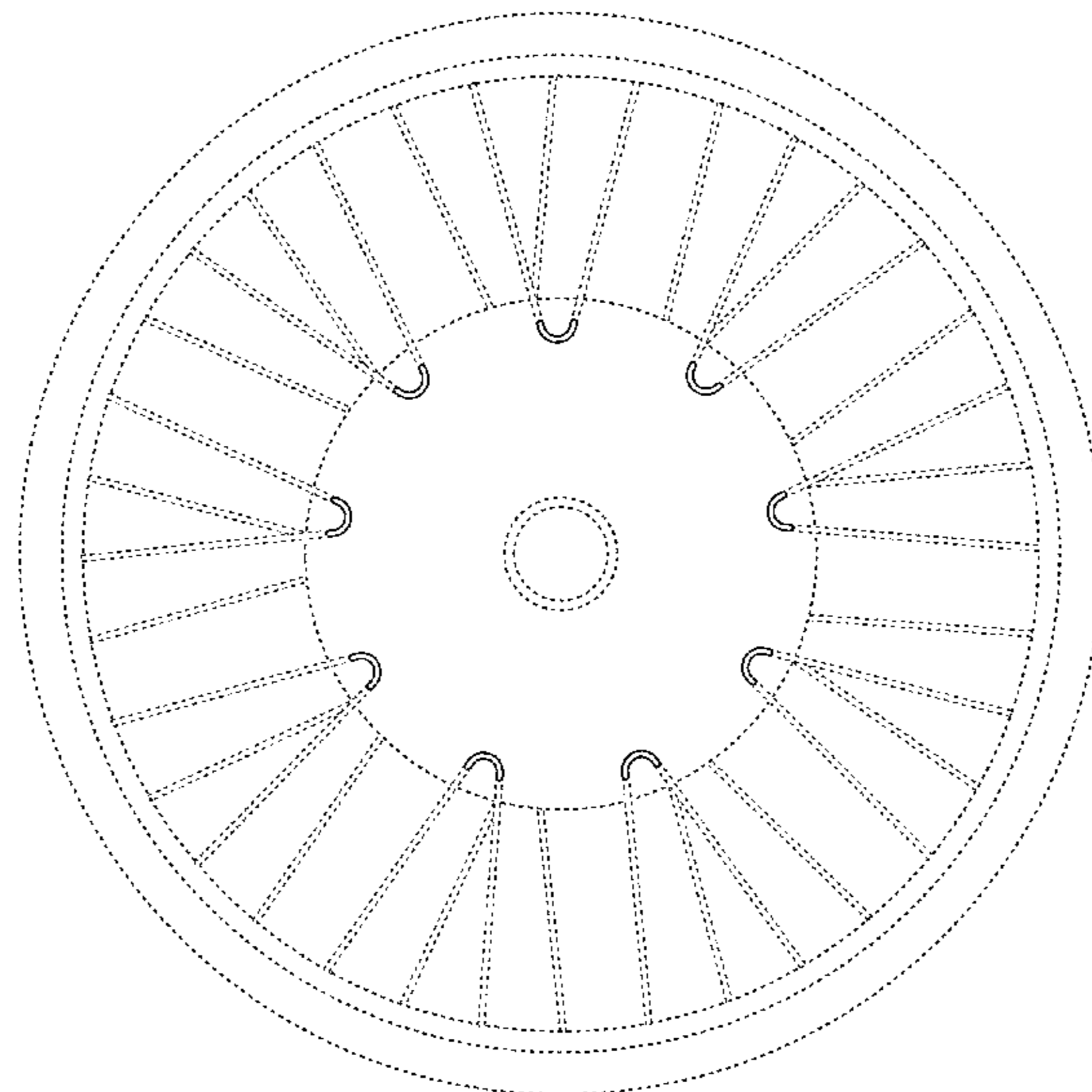
FIG. 1 is a plan view of smile shaped spoke interfaces on a bicycle wheel hub; and  
FIG. 2 is a front view of smile shaped spoke interfaces on a bicycle wheel hub; and,  
FIG. 3 is detailed perspective view of a single smile shaped spoke interface on a bicycle wheel hub.  
In the drawings, the broken lines depict environmental subject matter only and form no part of the claimed design.

(56) **References Cited**

**U.S. PATENT DOCUMENTS**

D218,232	S	*	8/1970	Shimano	.....	D12/205
D218,964	S	*	10/1970	Shimano	.....	D12/205

**1 Claim, 3 Drawing Sheets**



(56)

**References Cited**

U.S. PATENT DOCUMENTS

2016/0082772 A1\* 3/2016 Biderman ..... A61G 5/045  
301/6.5

\* cited by examiner

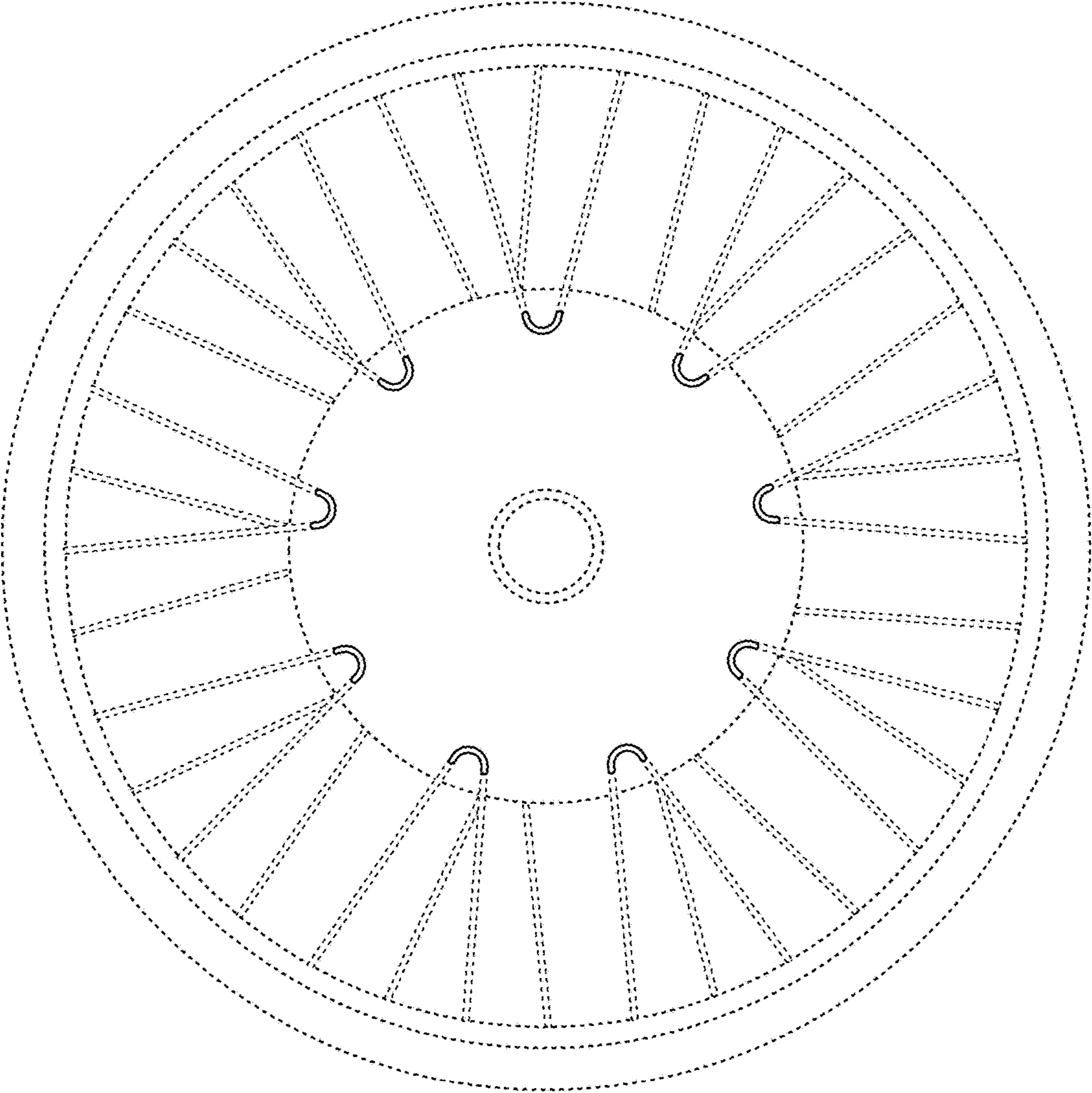
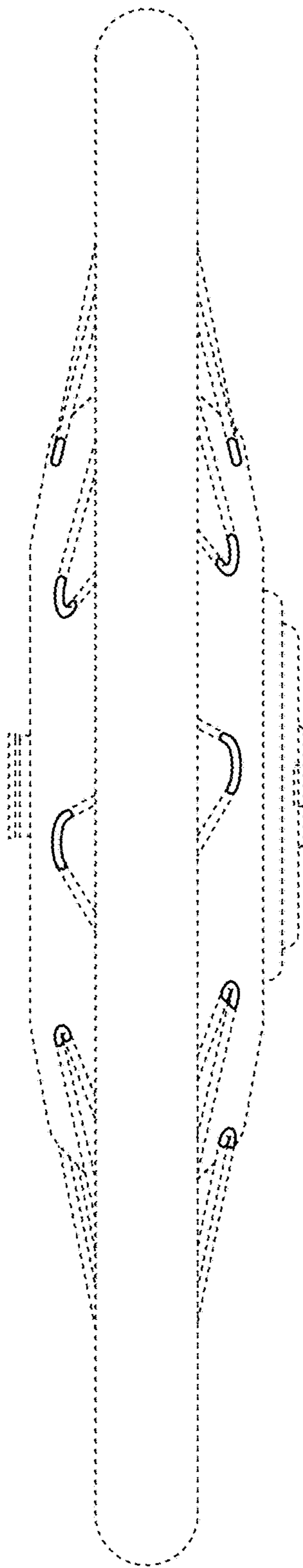
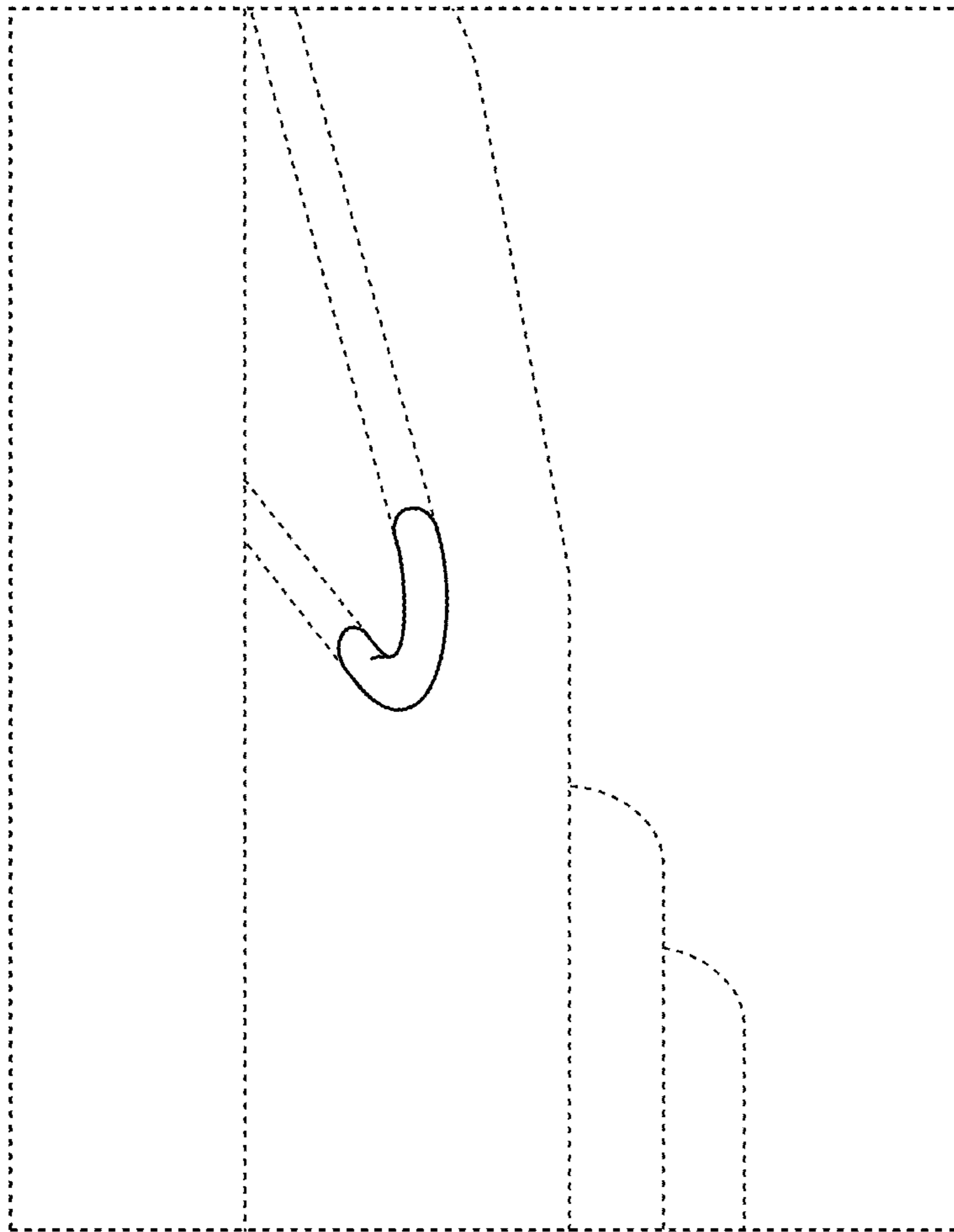


FIG. 1



**FIG. 2**



**FIG. 3**