



US00D813776S

(12) **United States Design Patent**
Jaimes

(10) **Patent No.:** **US D813,776 S**
(45) **Date of Patent:** **** Mar. 27, 2018**

- (54) **CARGO LINER**
- (71) Applicant: **Eduardo Jaimes**, Orlando, FL (US)
- (72) Inventor: **Eduardo Jaimes**, Orlando, FL (US)
- (**) Term: **15 Years**
- (21) Appl. No.: **29/586,805**
- (22) Filed: **Dec. 7, 2016**
- (51) **LOC (11) Cl.** **12-16**
- (52) **U.S. Cl.**
USPC **D12/203**
- (58) **Field of Classification Search**
USPC D12/203, 221; D6/582-586, 592-594
CPC B60R 13/01; B60N 3/044; B60N 3/04
See application file for complete search history.

- 6,793,872 B1 * 9/2004 Buss B29C 51/10
264/138
- D514,493 S * 2/2006 MacNeil D12/203
- D522,428 S * 6/2006 MacNeil D12/203
- D673,490 S * 1/2013 Koblenzer D12/203

* cited by examiner

Primary Examiner — George D. Kirschbaum
Assistant Examiner — Clese Moore, Jr.
(74) *Attorney, Agent, or Firm* — Allen Dyer Doppelt & Gilchrist

(57) **CLAIM**

The ornamental design for a cargo liner, as shown and described.

(56) **References Cited**

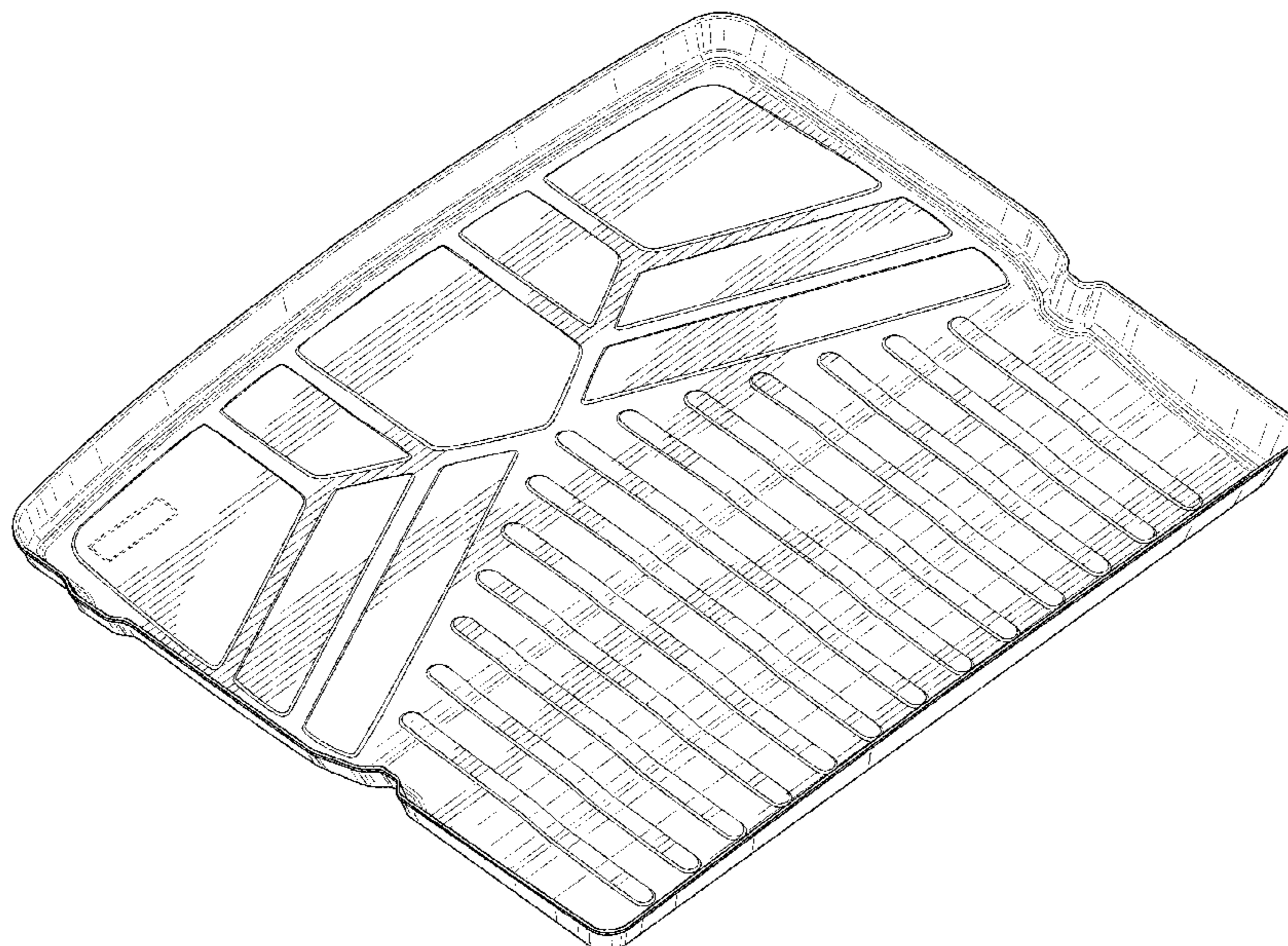
U.S. PATENT DOCUMENTS

- 4,828,898 A * 5/1989 Bailey B32B 5/24
428/192
- 5,083,827 A * 1/1992 Hollenbaugh, Sr. B60R 13/01
220/4.08
- D333,645 S * 3/1993 Tyler D12/221
- D344,481 S * 2/1994 Ryan D12/221
- D345,050 S * 3/1994 Ryan D12/221
- D372,011 S * 7/1996 Tyler D12/203
- 5,584,412 A * 12/1996 Wang B60R 7/02
220/500
- D377,780 S * 2/1997 MacNeil D12/221
- D408,342 S * 4/1999 Yang D12/203
- D413,854 S * 9/1999 Vitoorapakorn D12/221
- D417,182 S * 11/1999 Vitoorapakorn D12/221
- D418,800 S * 1/2000 Atkin D12/221
- D419,951 S * 2/2000 Emery D12/221
- 6,027,782 A * 2/2000 Sherman A47G 27/0412
15/217
- D425,851 S * 5/2000 Tucker D12/221
- D442,530 S * 5/2001 Lu D12/203

DESCRIPTION

FIG. 1 is a top, rear, left side perspective view of a cargo liner, according to my new design;
FIG. 2 is a top, front, right side perspective view of the design of FIG. 1;
FIG. 3 is a bottom, front, left side perspective view of the design of FIG. 1;
FIG. 4 is a bottom, rear, right side perspective view of the design of FIG. 1;
FIG. 5 is a top view of the design of FIG. 1;
FIG. 6 is a bottom view of the design of FIG. 1;
FIG. 7 is a rear view of the design of FIG. 1;
FIG. 8 is a front view of the design of FIG. 1;
FIG. 9 is a left side view of the design of FIG. 1; and,
FIG. 10 is a right side view of the design of FIG. 1.
The broken lines shown illustrate portions of the cargo liner that form no part of the claimed design.

1 Claim, 8 Drawing Sheets



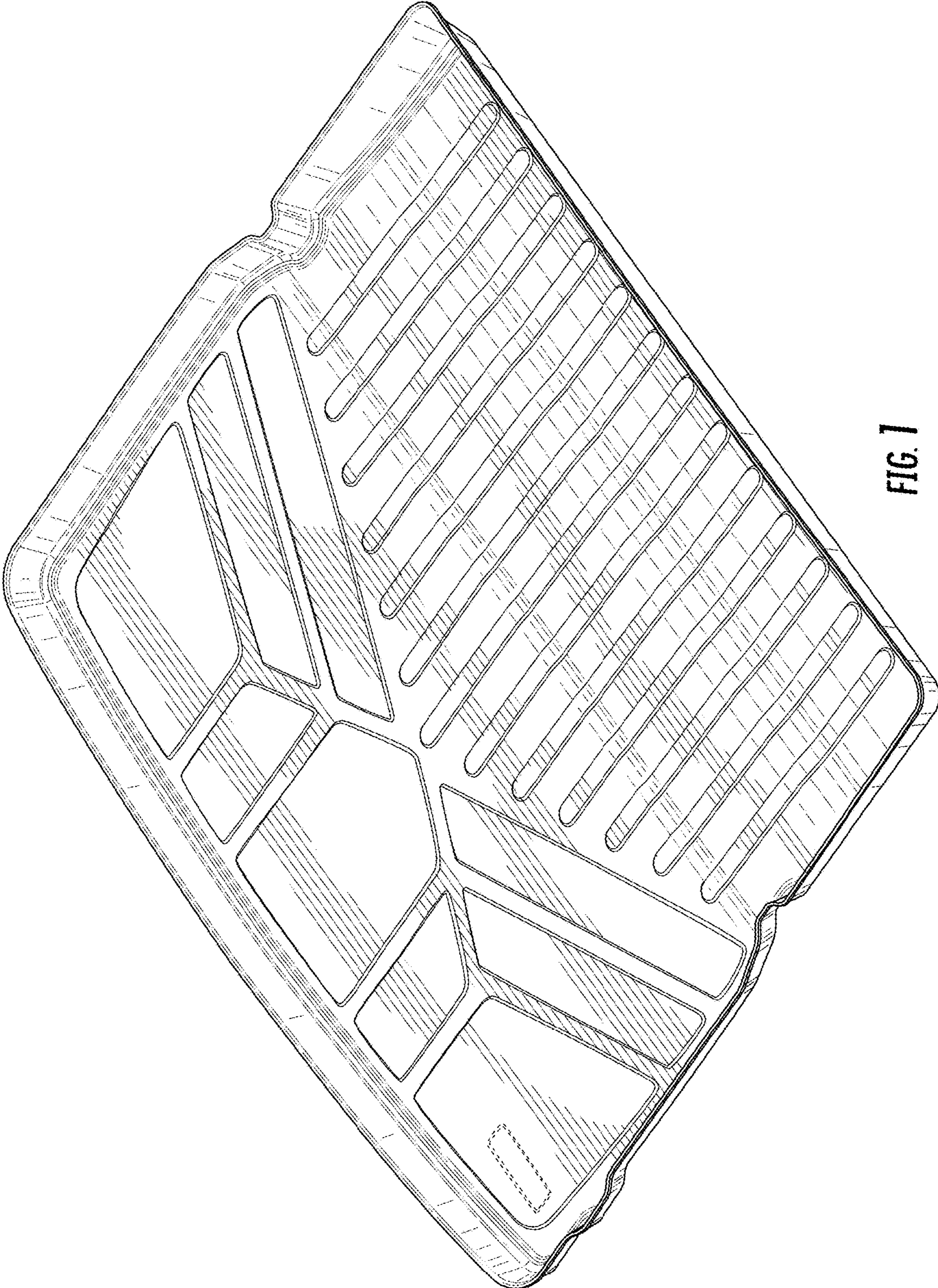


FIG. 1

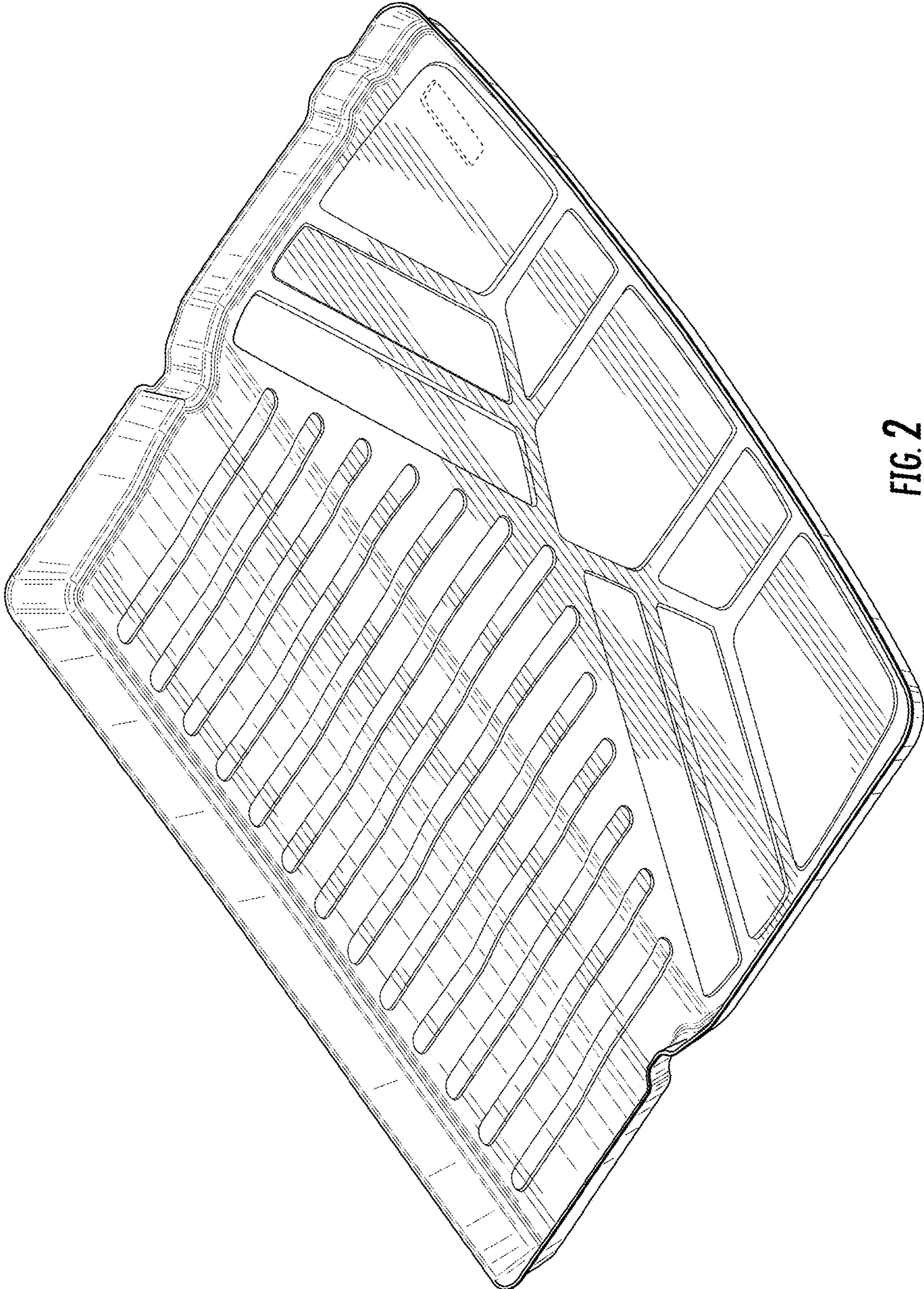


FIG. 2

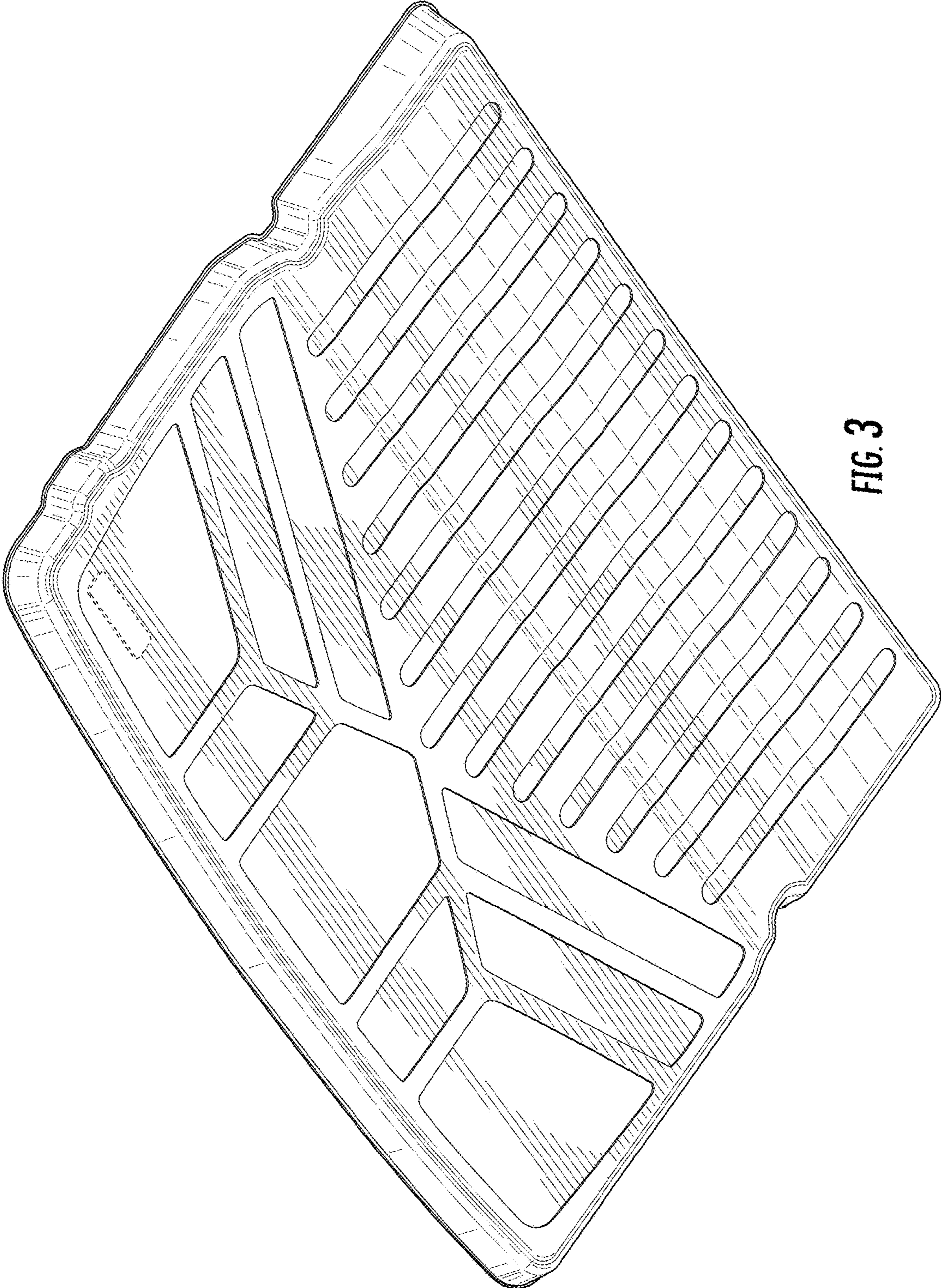


FIG. 3

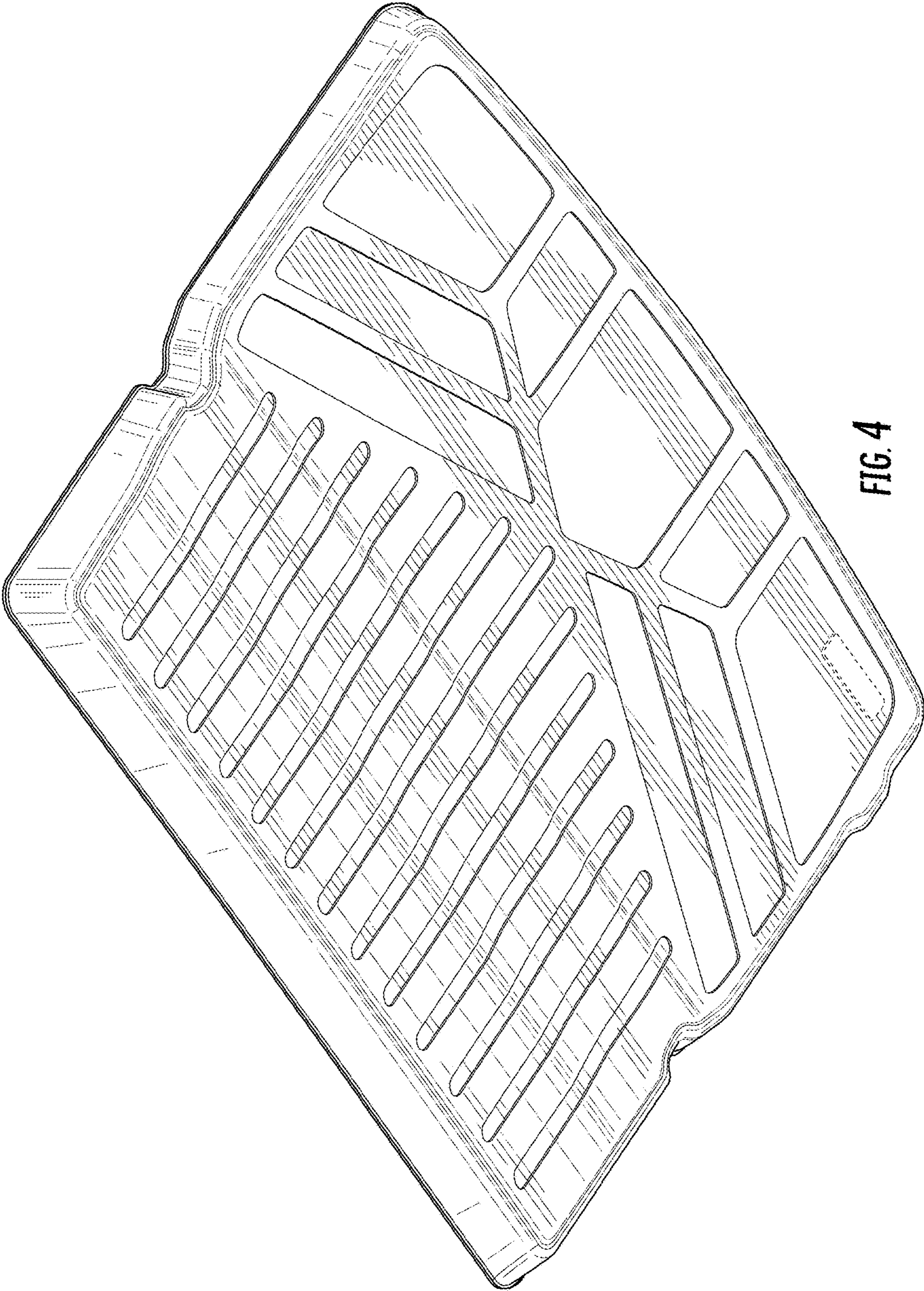


FIG. 4

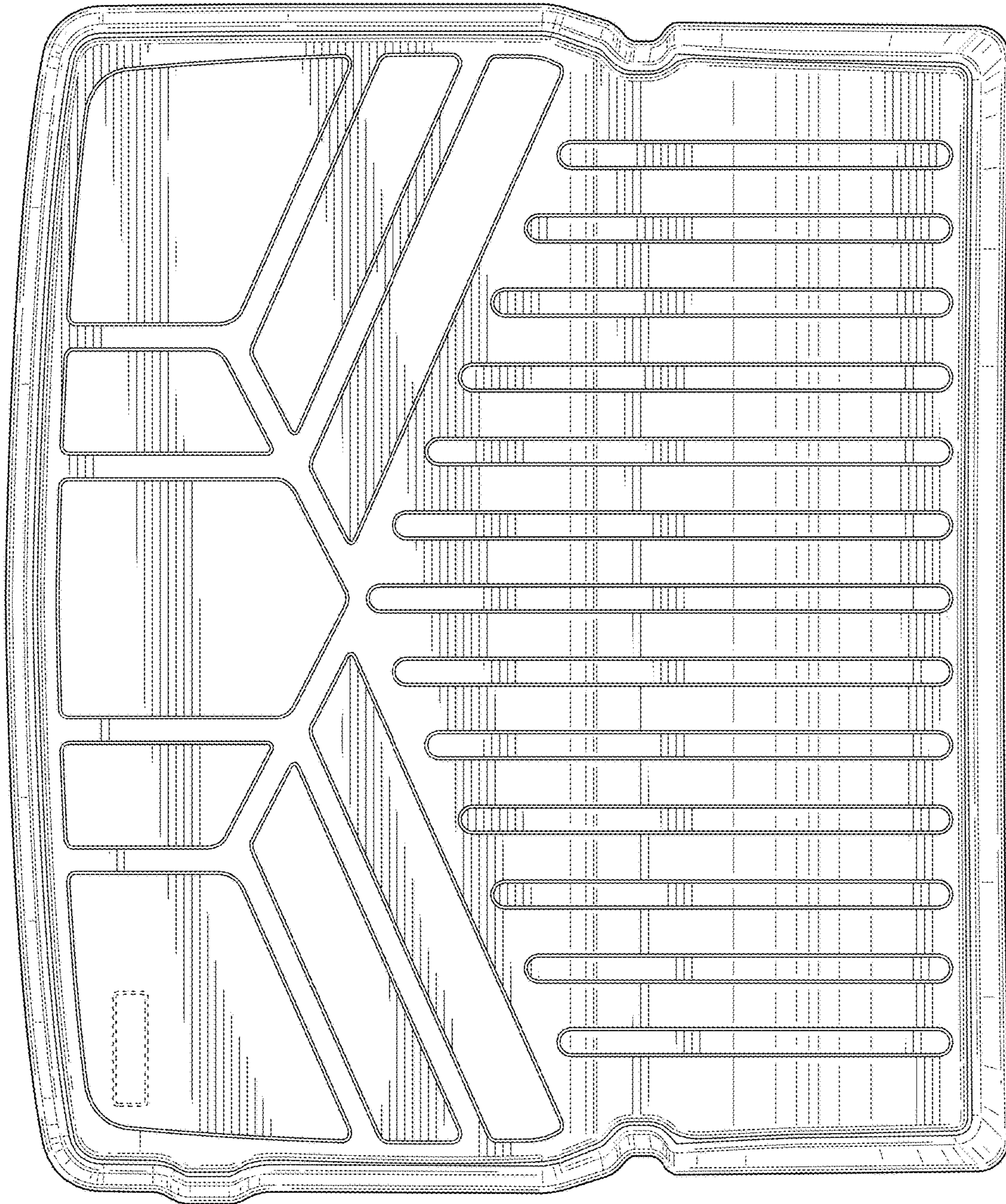


FIG. 5

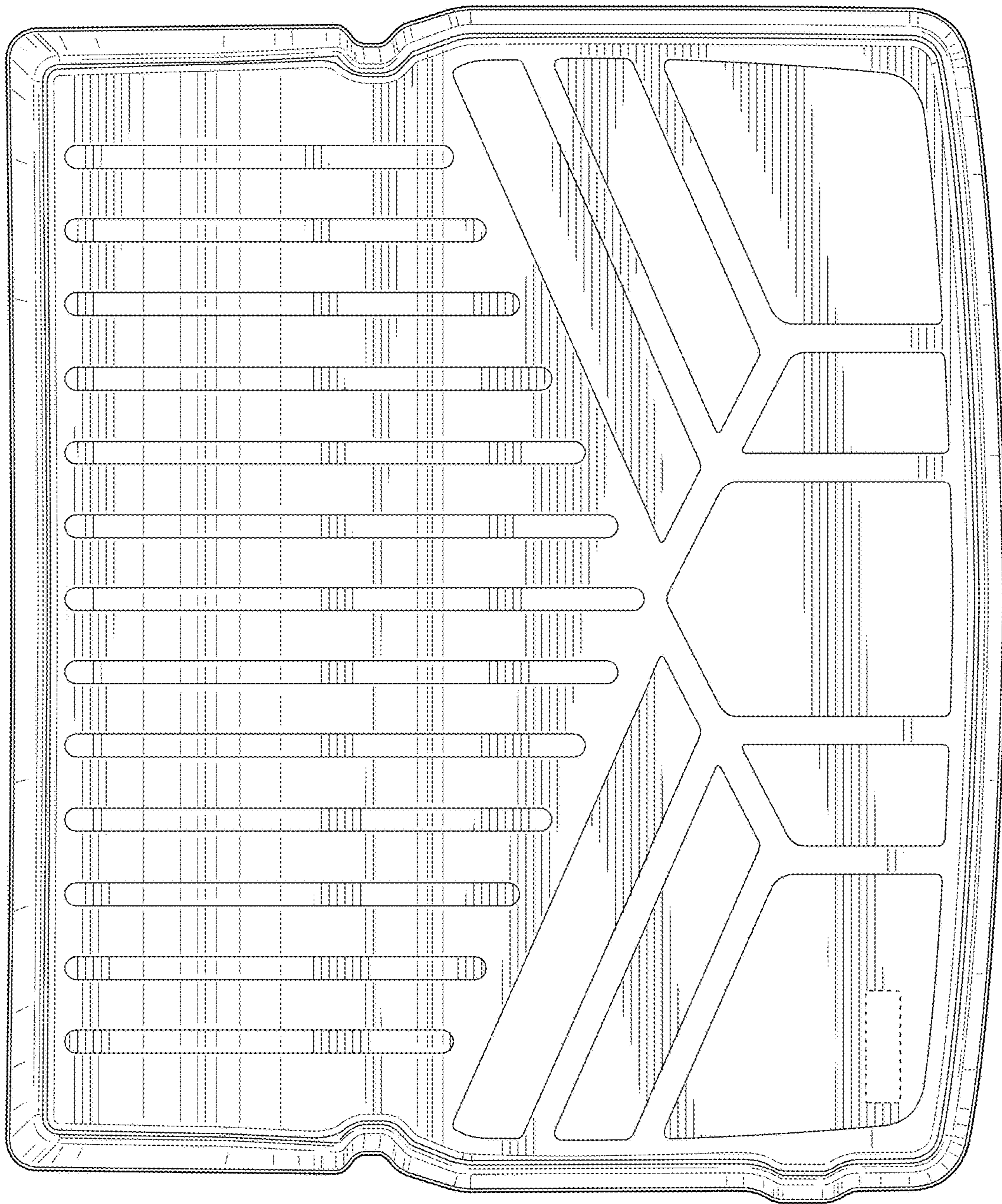


FIG. 6

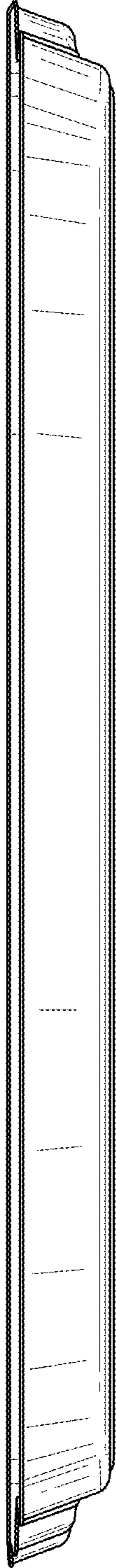


FIG. 7

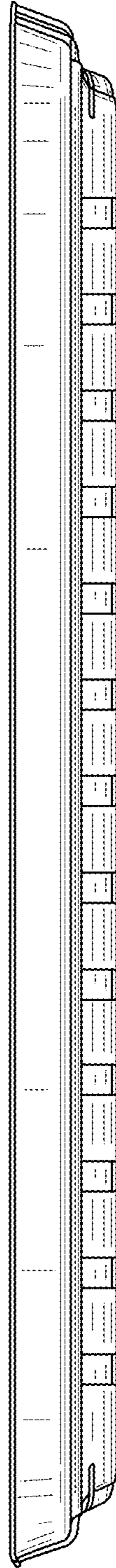


FIG. 8

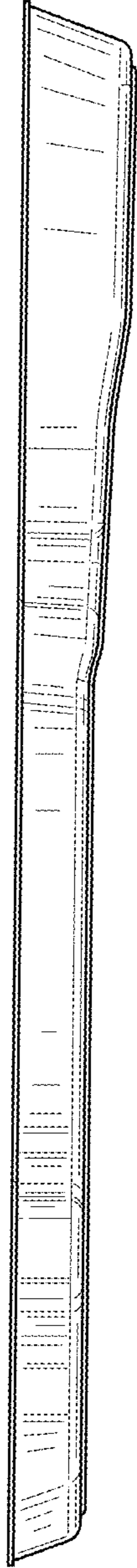


FIG. 9

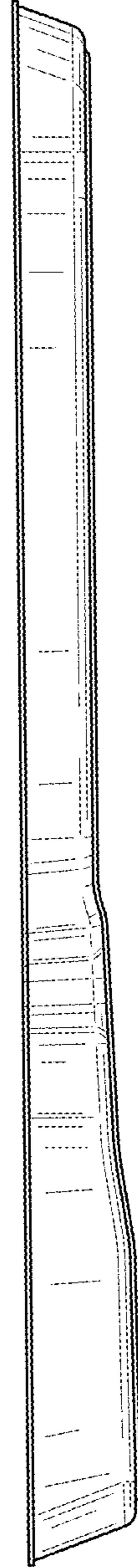


FIG. 10