



US00D813772S

(12) **United States Design Patent** (10) **Patent No.:** **US D813,772 S**
Anderson et al. (45) **Date of Patent:** **** Mar. 27, 2018**

(54) **BODY PART FOR VEHICLE**
(71) Applicant: **Volvo Lastvagnar AB**, Göteborg (SE)
(72) Inventors: **Ian Anderson**, Greensboro, NC (US);
Jeff Cotner, Greensboro, NC (US)
(73) Assignee: **Volvo Lastvagnar AB**, Göteborg (SE)
(**) Term: **15 Years**
(21) Appl. No.: **29/600,084**
(22) Filed: **Apr. 10, 2017**
(51) **LOC (11) Cl.** **12-16**
(52) **U.S. Cl.**
USPC **D12/196**
(58) **Field of Classification Search**
USPC D12/88, 90, 91, 92, 93, 94, 96, 97, 181,
D12/184, 190, 191, 196, 400, 401, 404;
296/180.1, 180.5, 190.2, 217, 225;
280/727, 762, 770, 848
CPC B62D 35/001; B62D 25/00; B62D 25/02;
B62D 33/06; B62D 33/0612
See application file for complete search history.

D710,773 S * 8/2014 Ito D12/181
D711,786 S * 8/2014 Brzustowicz D12/96
D711,787 S * 8/2014 Brzustowicz D12/96
D711,788 S * 8/2014 Brzustowicz D12/96
9,085,330 B2 * 7/2015 Fritts B62D 35/001
D766,793 S * 9/2016 Brzustowicz D12/196
D784,870 S * 4/2017 Ito D12/173
D787,993 S * 5/2017 McCabe D12/173
D799,380 S * 10/2017 Cosme D12/96
2014/0265433 A1 * 9/2014 Fritts B62D 35/001
296/180.2

OTHER PUBLICATIONS

Images of Volvo VNL Truck, released 2002, 2 pages.

* cited by examiner

Primary Examiner — Ian Simmons

Assistant Examiner — Yolanda Robinson

(74) *Attorney, Agent, or Firm* — Tucker Ellis LLP

(57) **CLAIM**

The ornamental design for a body part for vehicle, as shown and described.

DESCRIPTION

FIG. 1 is a perspective view of a body part for vehicle showing our new design.

FIG. 2 is a front view thereof.

FIG. 3 is a left side view thereof.

FIG. 4 is a right side view thereof; and,

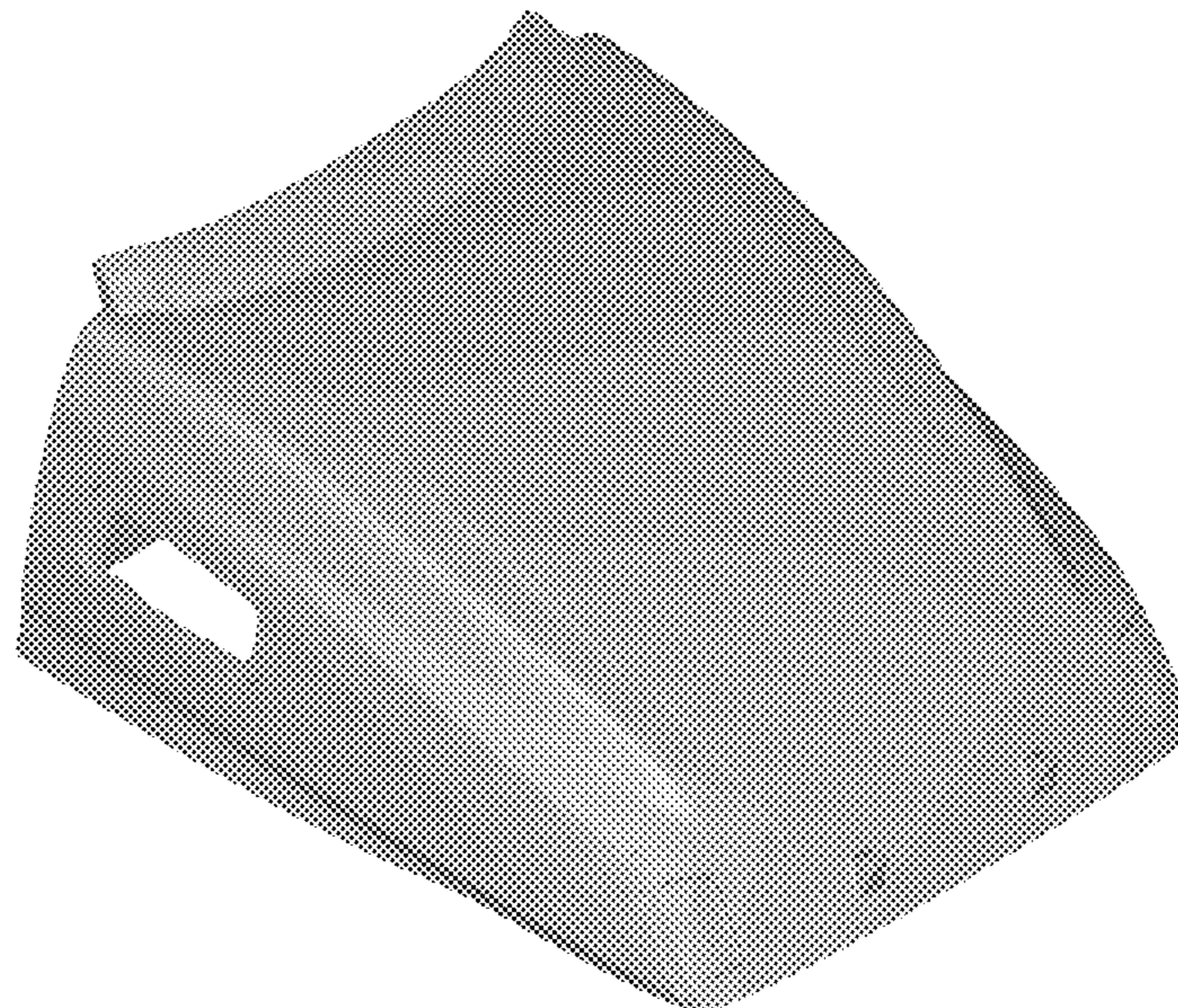
FIG. 5 is a top view thereof.

1 Claim, 4 Drawing Sheets

(56) **References Cited**

U.S. PATENT DOCUMENTS

D384,317 S * 9/1997 Jahnke D12/181
D400,158 S * 10/1998 Meryman D12/401
D434,347 S * 11/2000 Damon D12/96
D633,015 S * 2/2011 Peltola D12/181
D686,123 S * 7/2013 Peltola D12/181
D707,160 S * 6/2014 Peltola D12/173
D707,608 S * 6/2014 Smith D12/181



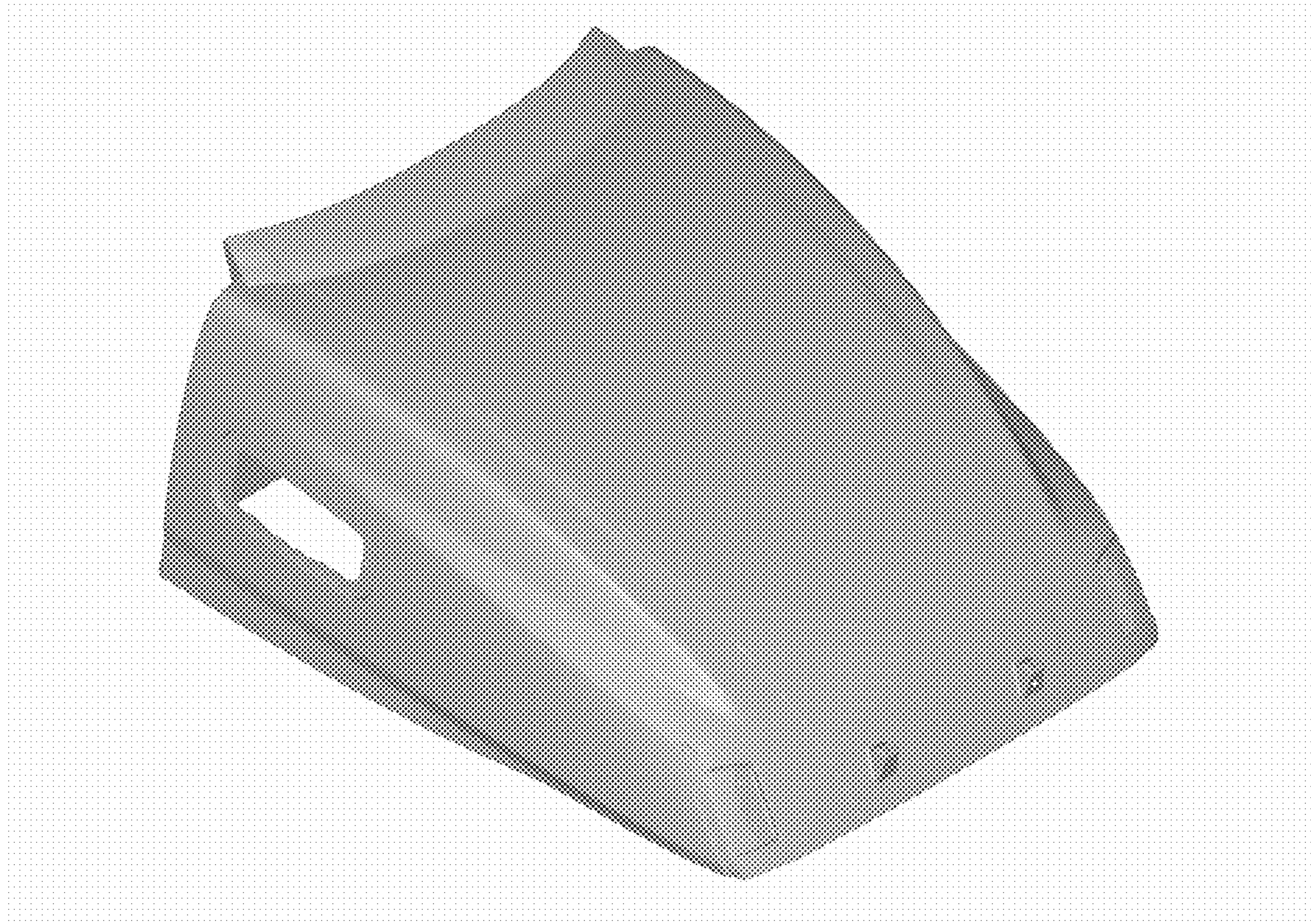


FIG. 1

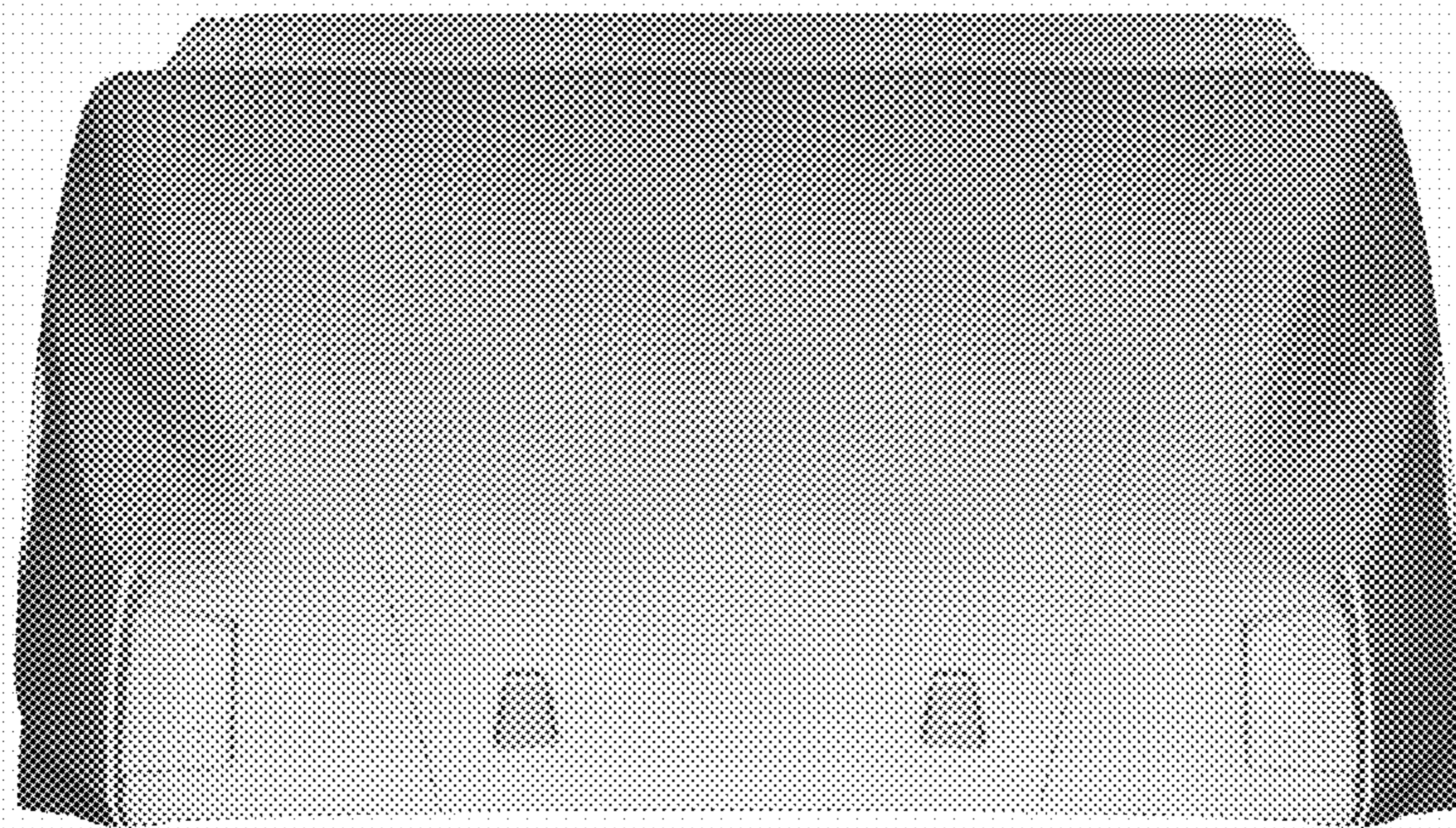


FIG. 2

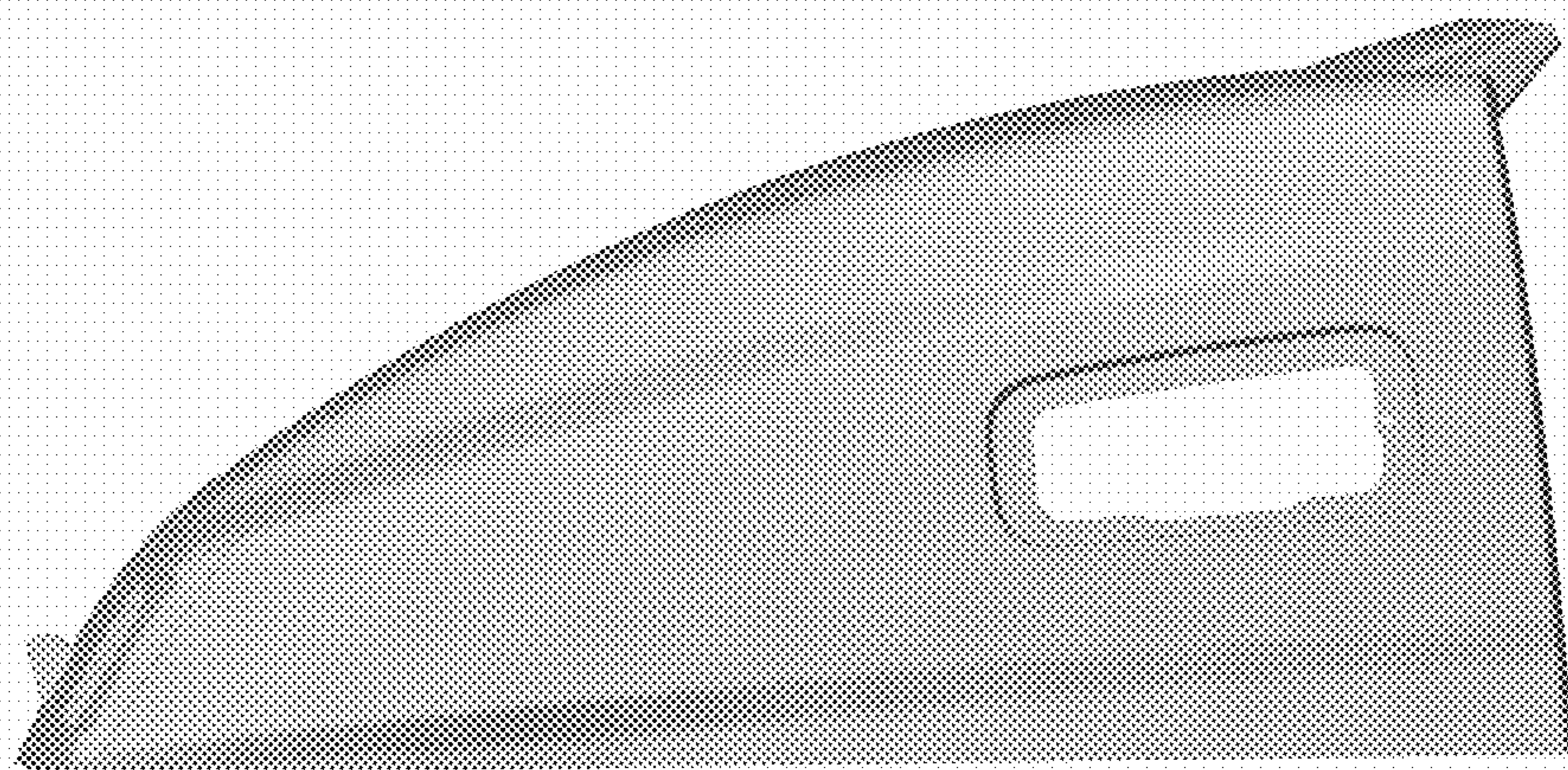


FIG. 3

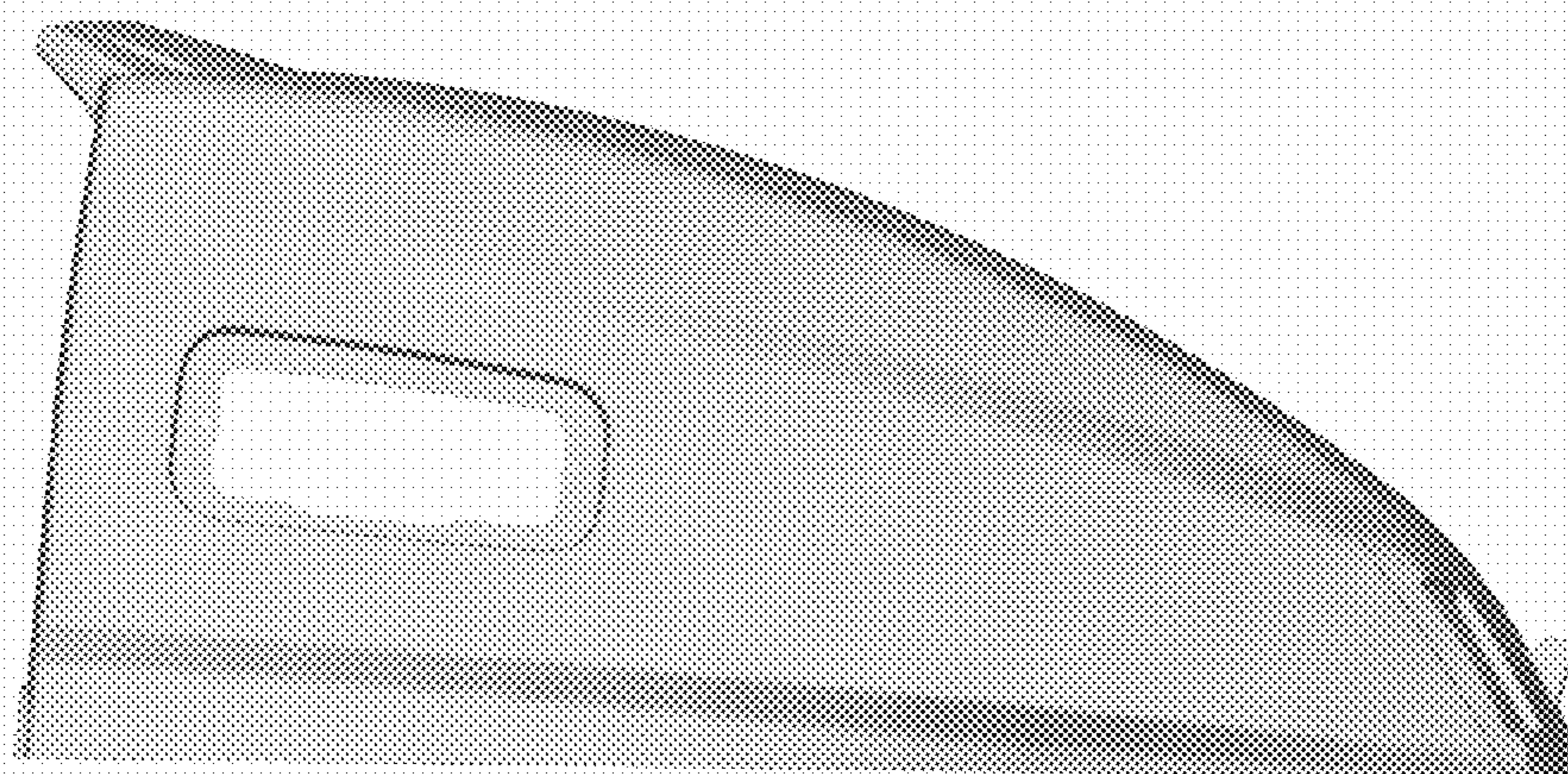


FIG. 4



FIG. 5