



US00D813745S

(12) **United States Design Patent**
Behmer et al.

(10) **Patent No.:** **US D813,745 S**
(45) **Date of Patent:** **** Mar. 27, 2018**

(54) **VEHICLE REAR LOWER BUMPER COVER**

(71) Applicant: **Ford Global Technologies, LLC**,
Dearborn, MI (US)

(72) Inventors: **Darrell P. Behmer**, Novi, MI (US);
Melvin Betancourt, Shelby Township,
MI (US); **Craig S. Metros**, Bloomfield,
MI (US); **Christopher Stevens**, Detroit,
MI (US); **Junmo Park**, Northville, MI
(US)

(73) Assignee: **Ford Global Technologies, LLC**,
Dearborn, MI (US)

(**) Term: **15 Years**

(21) Appl. No.: **29/590,798**

(22) Filed: **Jan. 13, 2017**

(51) **LOC (11) Cl.** **12-16**

(52) **U.S. Cl.**
USPC **D12/169**

(58) **Field of Classification Search**
USPC D12/86, 90-92, 163, 169, 171, 196, 216;
293/102, 113, 115, 117, 120; 296/180.1,
296/180.2

CPC B60R 19/02; B60R 19/04; B62D 25/08
See application file for complete search history.

(56) **References Cited**

U.S. PATENT DOCUMENTS

D518,414 S *	4/2006	Lo	D12/92
D563,835 S *	3/2008	Dean	D12/92
D608,690 S *	1/2010	Folden	D12/91
D678,146 S	3/2013	Behmer et al.		
D715,693 S *	10/2014	Lamberty	D12/92
D719,878 S *	12/2014	Webber	D12/92
D746,738 S *	1/2016	Wolff	D12/169

D749,469 S	2/2016	Curic et al.		
D793,299 S *	8/2017	Krieg	D12/169
D793,300 S *	8/2017	Krieg	D12/169
D797,019 S *	9/2017	Yamashita	D12/169
D797,616 S *	9/2017	Lee	D12/169
D800,616 S *	10/2017	Jang	D12/169

OTHER PUBLICATIONS

<http://www.carbodydesign.com/set/72053/2018-ford-mustang-design-gallery/> Uploaded Jan. 2017 (Year: 2017).*

<https://jalopnik.com/heres-everything-thats-changed-on-the-2018-ford-mustang-1791305057> Posted Jan. 17, 2017 (Year: 2017).*

* cited by examiner

Primary Examiner — Susan Bennett Hattan

Assistant Examiner — Leanne Was-Englehart

(74) *Attorney, Agent, or Firm* — James Dottavio

(57) **CLAIM**

The ornamental design for a vehicle rear lower bumper cover, as shown.

DESCRIPTION

FIG. 1 is a bottom left perspective view of a vehicle rear lower bumper cover, showing our new design; FIG. 2 is a top left perspective view thereof; FIG. 3 is a top rear perspective view thereof; FIG. 4 is a front elevational view thereof; FIG. 5 is a rear elevational view thereof; FIG. 6 is a left side elevational view thereof; FIG. 7 is a right side elevational view thereof; FIG. 8 is a top plan view thereof; and, FIG. 9 is a bottom plan view thereof.

1 Claim, 9 Drawing Sheets

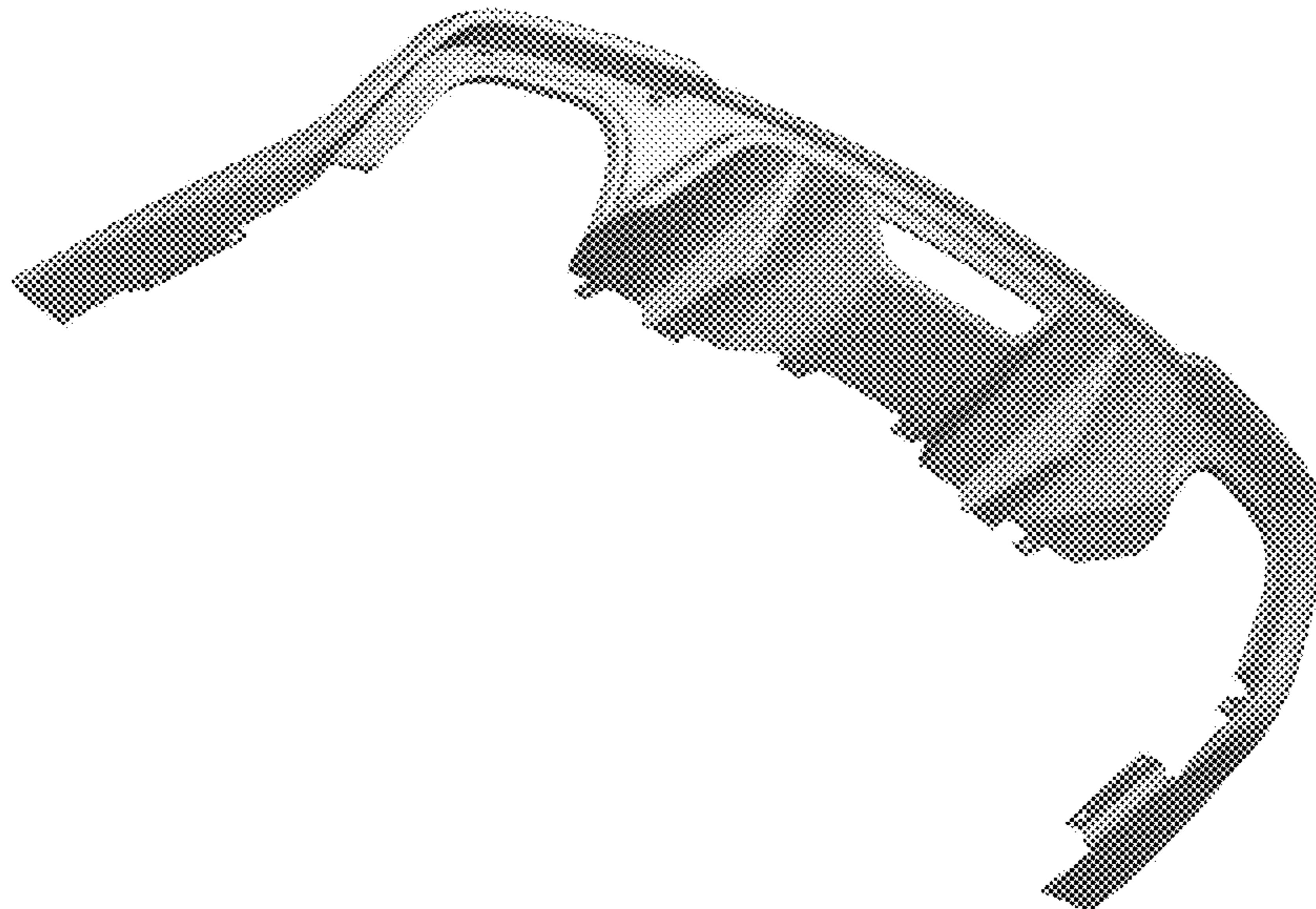
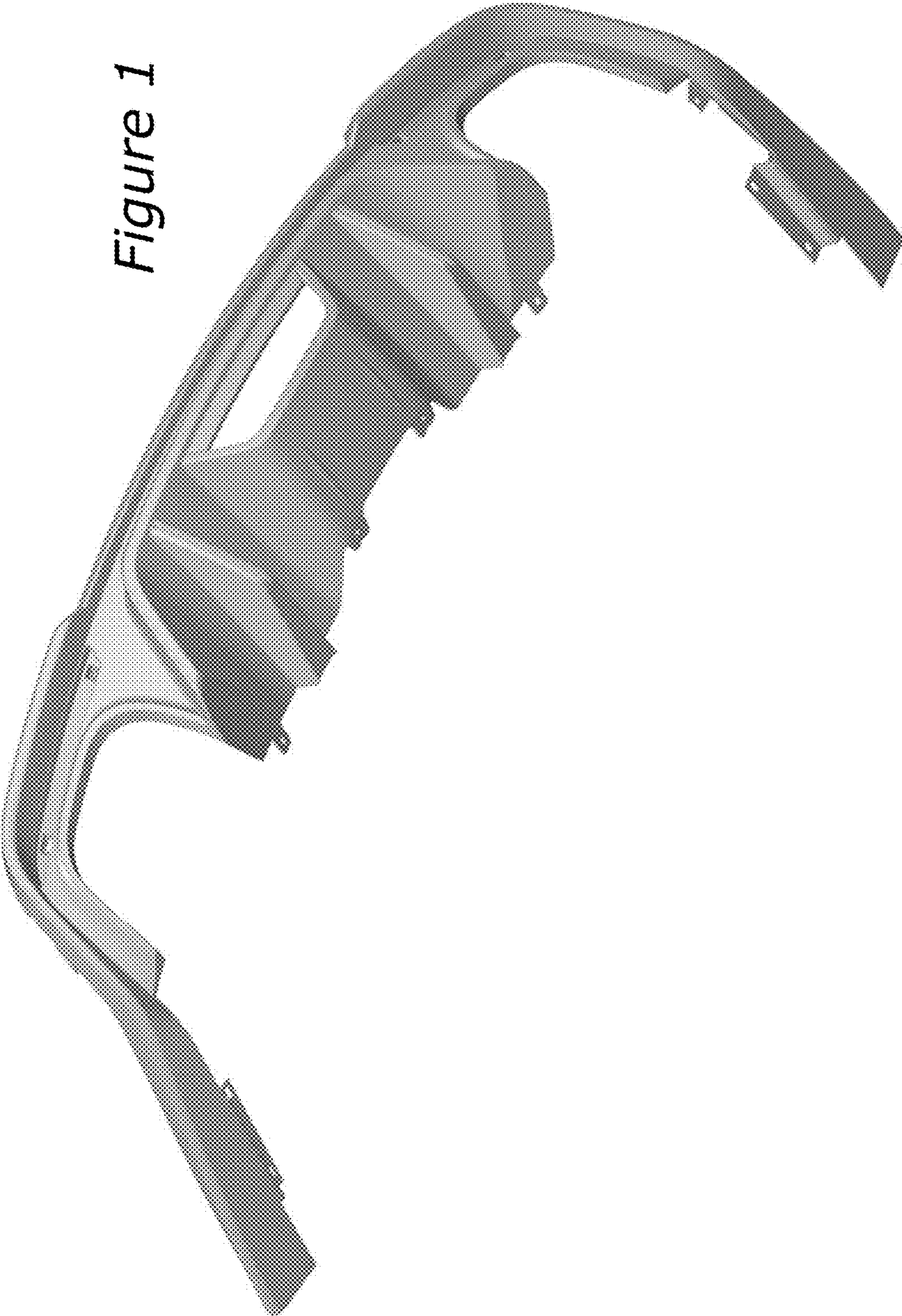


Figure 1



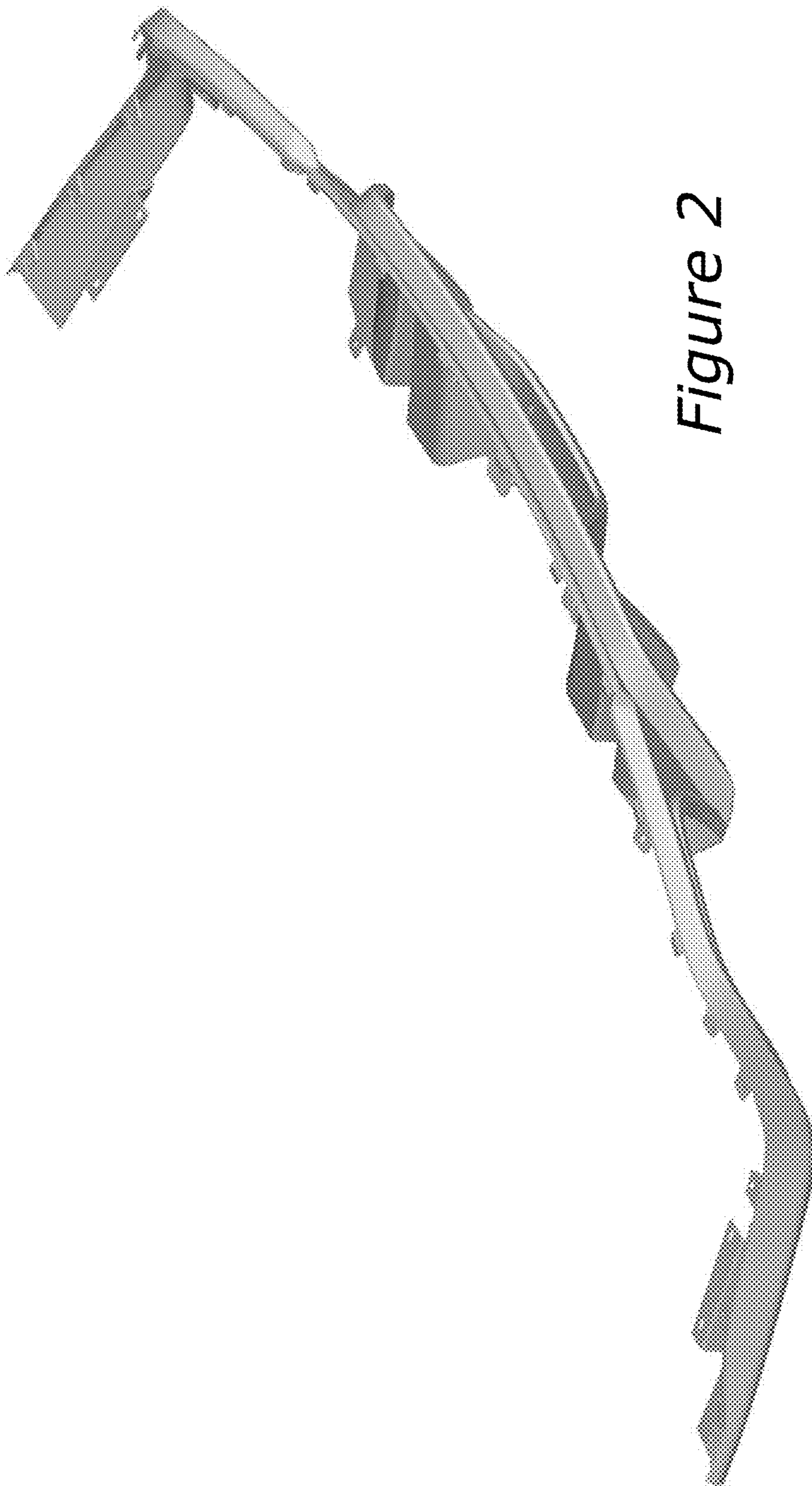
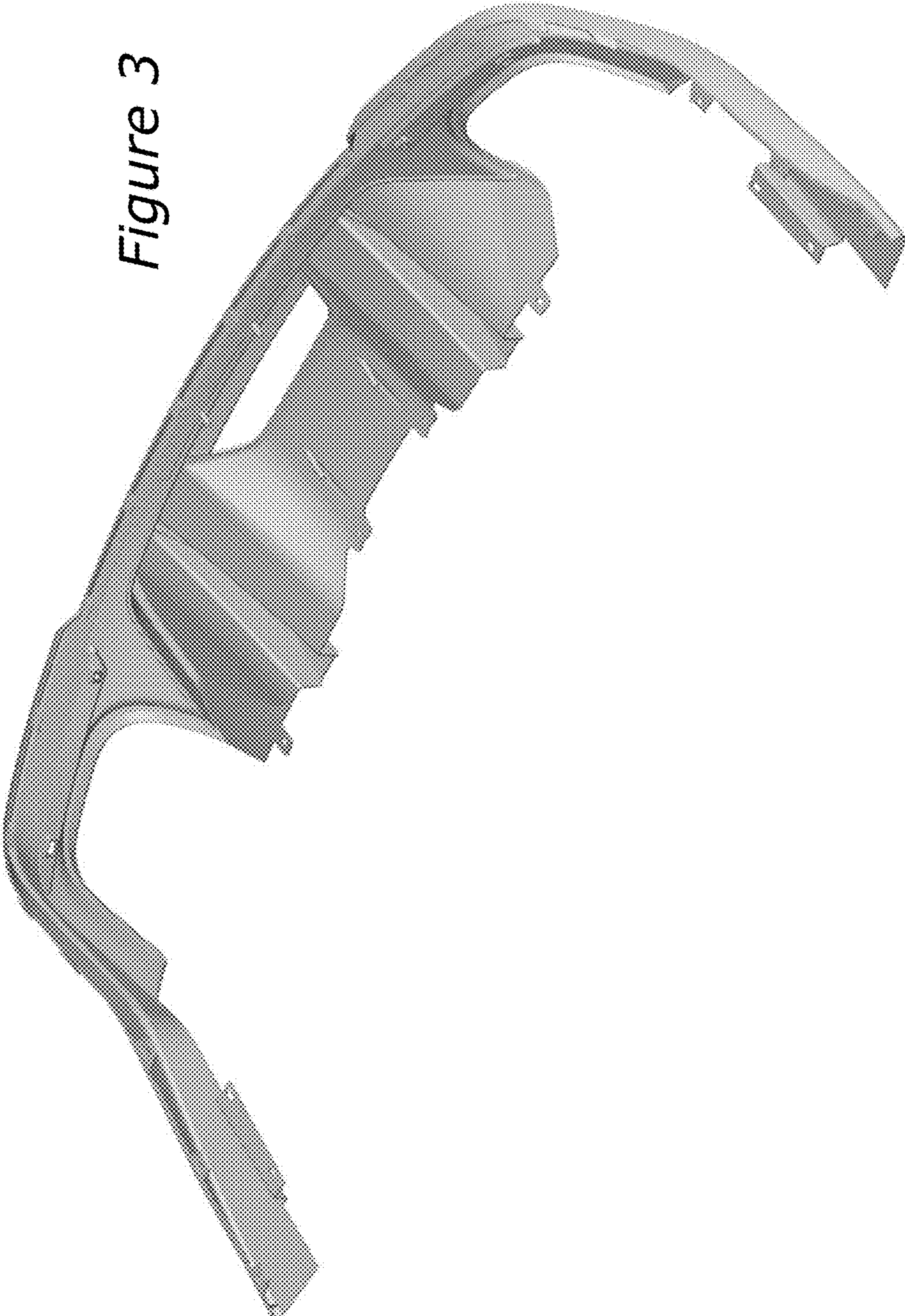


Figure 2

Figure 3



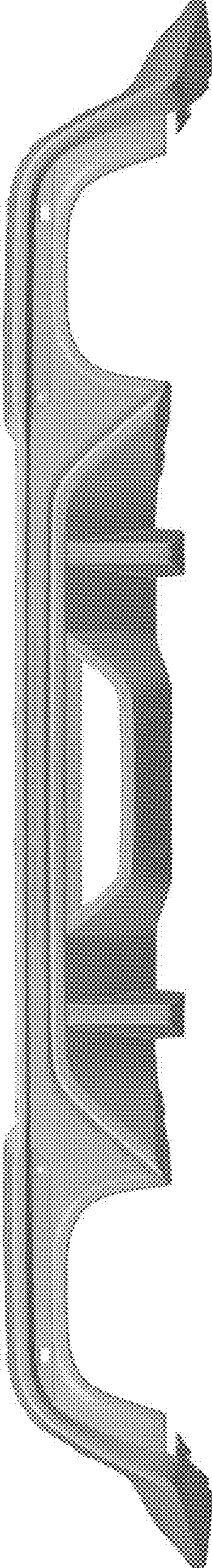


Figure 4

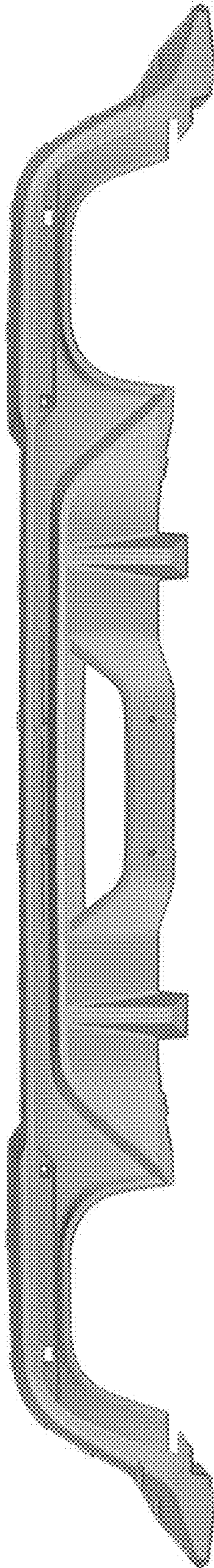


Figure 5

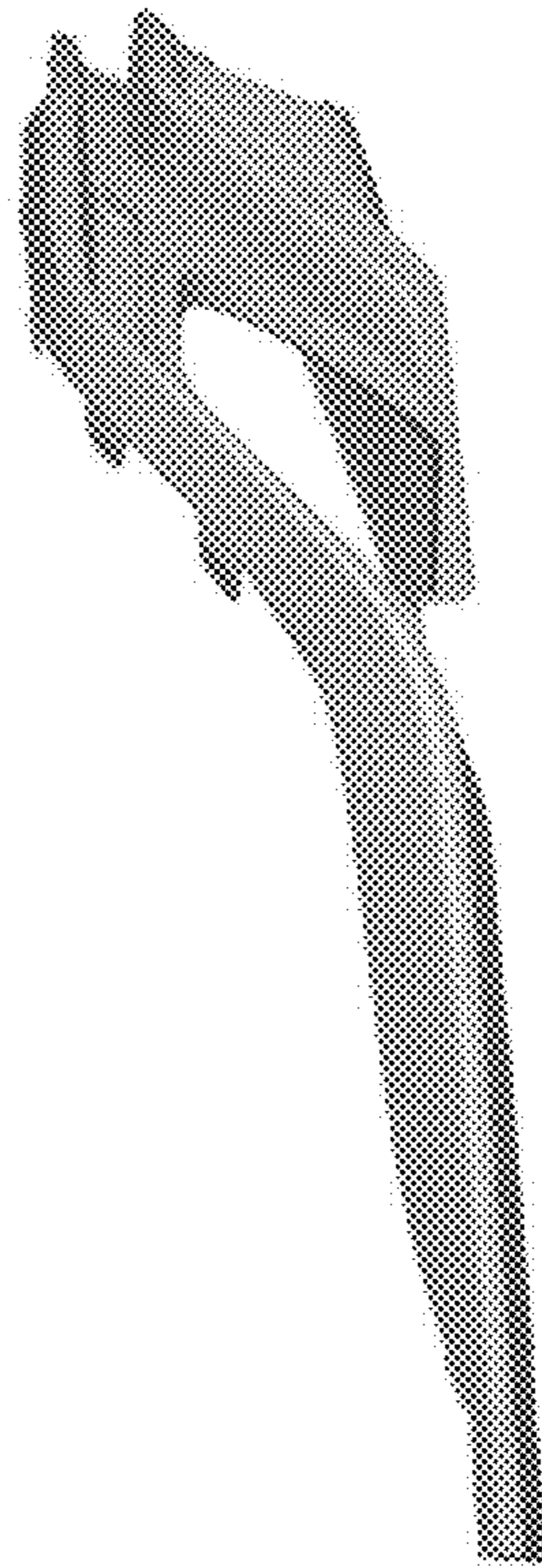


Figure 6

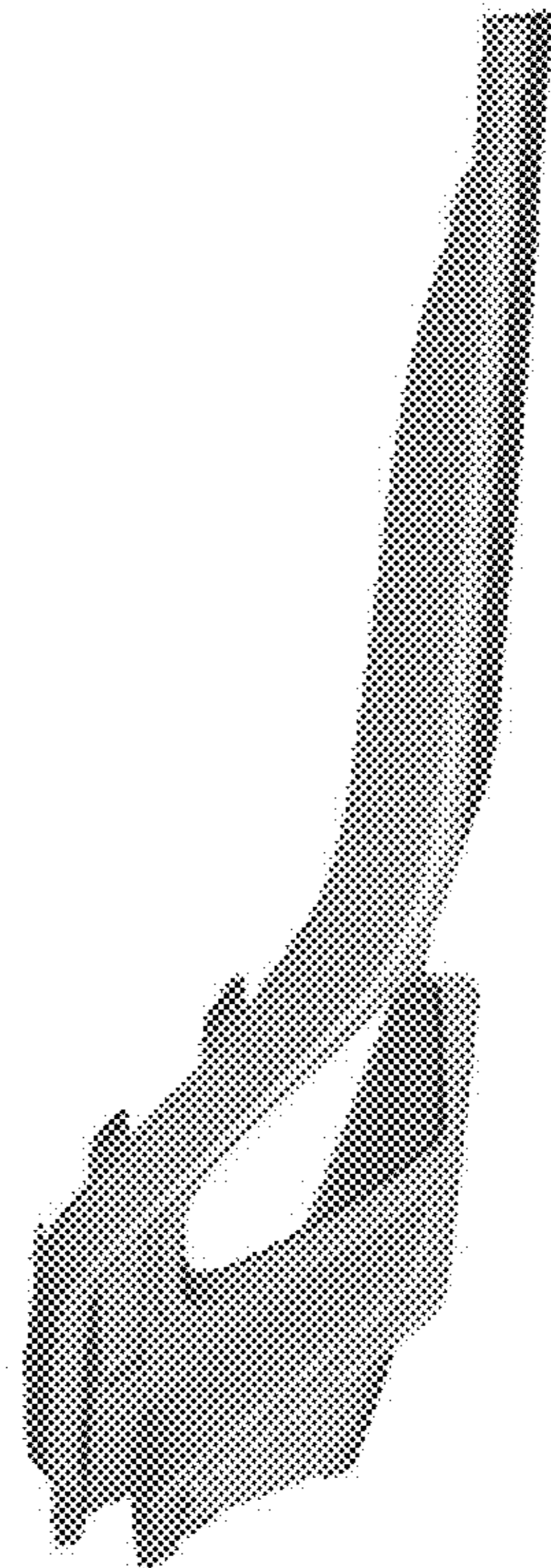


Figure 7

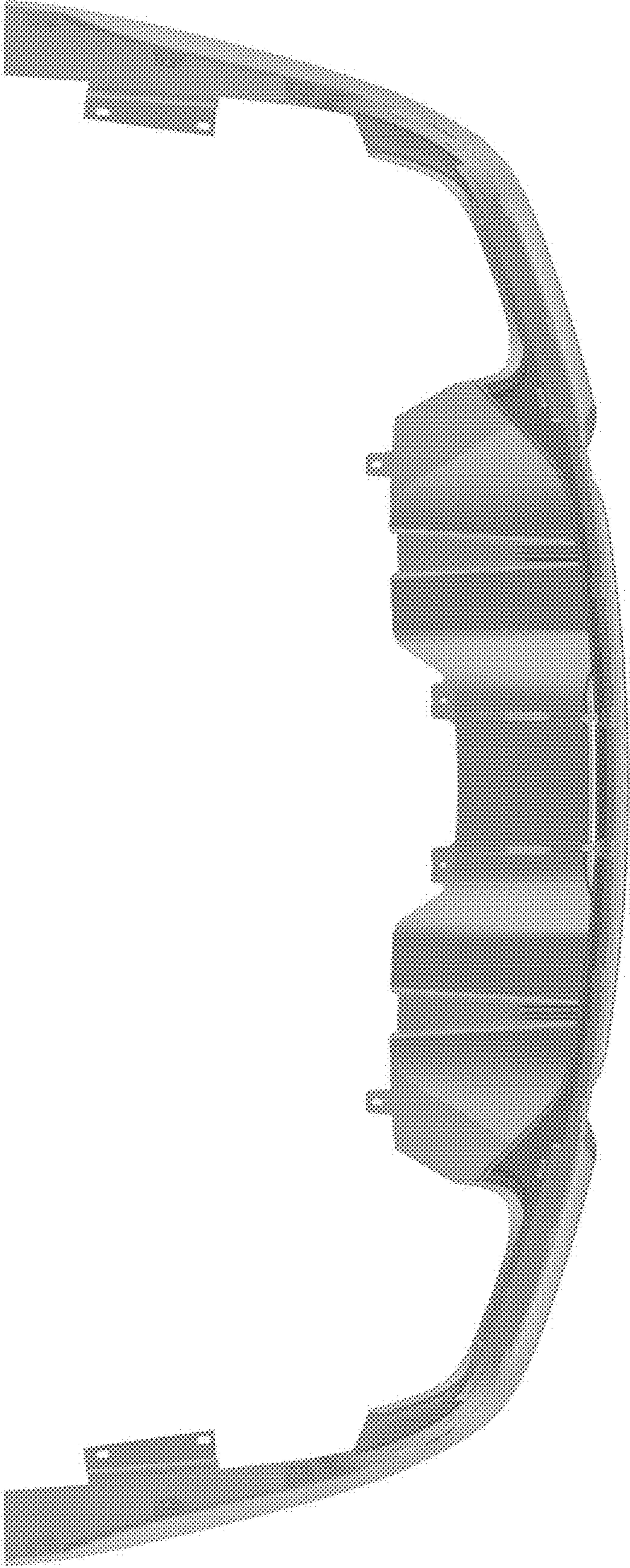


Figure 8

Figure 9

