



US00D813740S

(12) **United States Design Patent** (10) **Patent No.:** **US D813,740 S**  
**Park** (45) **Date of Patent:** **\*\* Mar. 27, 2018**

(54) **VEHICLE REAR BUMPER**  
(71) Applicant: **GM GLOBAL TECHNOLOGY OPERATIONS LLC**, Detroit, MI (US)  
(72) Inventor: **Jonghyuk Park**, Troy, MI (US)  
(73) Assignee: **GM Global Technology Operations LLC**, Detroit, MI (US)  
(\*\*) Term: **15 Years**  
(21) Appl. No.: **29/583,076**  
(22) Filed: **Nov. 2, 2016**  
(51) **LOC (11) Cl.** ..... **12-16**  
(52) **U.S. Cl.**  
USPC ..... **D12/169**  
(58) **Field of Classification Search**  
USPC .... D12/169, 216, 90-92, 86, 171, 196, 163;  
293/102, 113, 115, 117, 120; 296/180.1,  
296/180.2  
CPC ..... B60R 19/02; B60R 19/04; B62D 25/08  
See application file for complete search history.

D609,608 S 2/2010 Boniface et al.  
D611,387 S 3/2010 Thompson et al.  
D611,879 S 3/2010 Kim et al.  
D612,297 S 3/2010 Peters et al.  
D613,645 S 4/2010 Song et al.  
D615,458 S 5/2010 Thompson et al.  
D618,595 S 6/2010 Ware et al.  
D623,090 S 9/2010 Cox et al.  
D627,262 S 11/2010 Ikeda et al.  
D635,488 S 4/2011 Phipps  
D644,147 S 8/2011 Suh et al.  
D644,567 S 9/2011 Kozub  
D657,718 S 4/2012 Zipfel et al.  
D659,052 S 5/2012 Ware et al.  
D659,053 S 5/2012 Ware et al.  
D668,182 S 10/2012 Barba Franco et al.  
D668,183 S 10/2012 Smart  
D678,820 S 3/2013 Son et al.  
D678,821 S 3/2013 Ikeda et al.  
D680,909 S 4/2013 Munson et al.  
D680,910 S 4/2013 David  
D684,899 S 6/2013 Baker

(Continued)

*Primary Examiner* — Melody N Brown  
(74) *Attorney, Agent, or Firm* — Reising Ethington P.C.

(57) **CLAIM**

The ornamental design for a vehicle rear bumper, as shown and described.

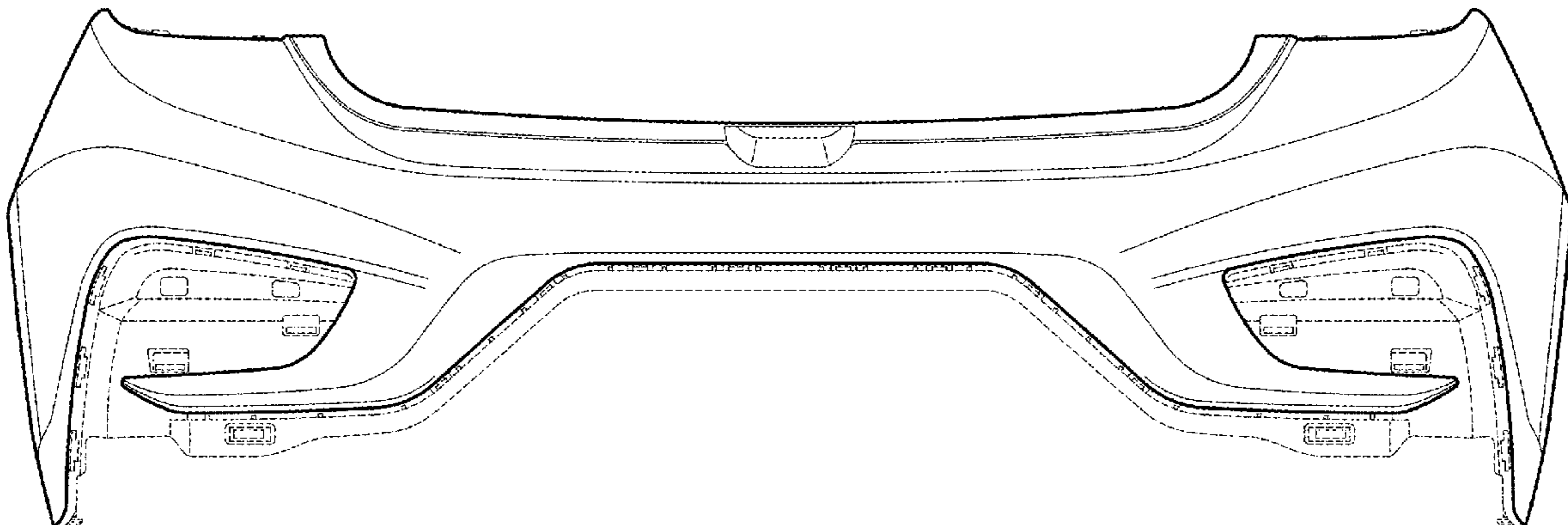
**DESCRIPTION**

FIG. 1 is a perspective view of a vehicle rear bumper showing my new design;  
FIG. 2 is a front view thereof;  
FIG. 3 is a left side elevational view thereof, the right side view being a mirror image thereof; and,  
FIG. 4 is a top view thereof.  
The broken lines shown in the drawings depict portions of the vehicle rear bumper that form no part of the claimed design.

**1 Claim, 3 Drawing Sheets**

(56) **References Cited**  
U.S. PATENT DOCUMENTS

D570,742 S 6/2008 Takagi et al.  
D592,105 S 5/2009 Dean et al.  
D597,447 S 8/2009 Folden  
D600,595 S 9/2009 Nakamura et al.  
D601,925 S 10/2009 O'Donnell  
D603,755 S 11/2009 Peters  
D604,203 S 11/2009 O'Donnell  
D605,082 S 12/2009 Munson  
D605,083 S 12/2009 Manoogian, II et al.  
D605,977 S 12/2009 Zipfel et al.  
D605,978 S 12/2009 Wolff et al.  
D608,249 S 1/2010 Peters  
D608,690 S 1/2010 Folden et al.  
D608,691 S 1/2010 Zak, Jr. et al.



(56)

References Cited

U.S. PATENT DOCUMENTS

D686,536 S 7/2013 McCabe et al.  
 D692,798 S 11/2013 Thurber  
 D692,799 S 11/2013 Smith et al.  
 D696,157 S 12/2013 Loeb  
 D699,629 S 2/2014 Ikeda et al.  
 D700,871 S 3/2014 O'Donnell et al.  
 D703,103 S 4/2014 Lee  
 D704,103 S 5/2014 Mack et al.  
 D705,132 S 5/2014 Ware et al.  
 D705,699 S 5/2014 Ware et al.  
 D713,298 S 9/2014 Dyson  
 D713,764 S 9/2014 Ferlazzo et al.  
 D716,696 S 11/2014 Thole et al.  
 D716,706 S 11/2014 Thole et al.  
 D716,709 S 11/2014 Thole et al.  
 D717,696 S 11/2014 Thole et al.  
 D718,189 S 11/2014 Krieg et al.  
 D718,683 S 12/2014 Thole et al.  
 D722,282 S 2/2015 Loeb  
 D722,533 S 2/2015 Thole et al.  
 D722,534 S 2/2015 Munson et al.  
 D724,510 S 3/2015 McMahan et al.  
 D725,001 S 3/2015 McMahan et al.  
 D726,591 S 4/2015 Jacob  
 D730,776 S 6/2015 Smart  
 D730,783 S 6/2015 Henriques et al.  
 D732,427 S 6/2015 Loeb  
 D732,429 S 6/2015 Loeb  
 D732,430 S 6/2015 Loeb  
 D732,431 S 6/2015 Loeb  
 D732,432 S 6/2015 Aengenheyster  
 D732,433 S 6/2015 Aengenheyster  
 D732,435 S 6/2015 Mackay  
 D733,002 S 6/2015 Loeb  
 D735,611 S 8/2015 Aengenheyster  
 D735,627 S 8/2015 Smith  
 D736,451 S 8/2015 Smith  
 D739,306 S 9/2015 McMahan et al.  
 D739,317 S 9/2015 McMahan et al.  
 D741,223 S 10/2015 Kim et al.  
 D743,309 S 11/2015 Thole et al.  
 D743,313 S 11/2015 Smith et al.  
 D743,314 S 11/2015 Thole et al.  
 D743,857 S 11/2015 McMahan et al.  
 D744,158 S 11/2015 Willett et al.

D745,086 S 12/2015 Finos et al.  
 D745,719 S 12/2015 Boniface et al.  
 D745,725 S 12/2015 McMahan et al.  
 D745,726 S 12/2015 McMahan et al.  
 D745,837 S 12/2015 Smith et al.  
 D746,726 S 1/2016 Smith et al.  
 D746,727 S 1/2016 Smith et al.  
 D746,728 S 1/2016 Smith et al.  
 D746,729 S 1/2016 Boniface et al.  
 D746,730 S 1/2016 Kim et al.  
 D747,514 S 1/2016 McMahan et al.  
 D747,515 S 1/2016 McMahan et al.  
 D747,819 S 1/2016 Thole et al.  
 D749,021 S 2/2016 Boniface et al.  
 D749,026 S 2/2016 Smith et al.  
 D749,027 S 2/2016 McMahan et al.  
 D749,246 S 2/2016 Thole et al.  
 D749,249 S 2/2016 Thole et al.  
 D749,250 S 2/2016 Thole et al.  
 D749,985 S 2/2016 Kozub et al.  
 D749,997 S 2/2016 McMahan et al.  
 D750,001 S 2/2016 Thole et al.  
 D753,032 S 4/2016 Smith et al.  
 D753,033 S 4/2016 Thole et al.  
 D753,034 S 4/2016 Thole et al.  
 D753,035 S 4/2016 Boniface et al.  
 D753,559 S 4/2016 McMahan et al.  
 D753,560 S 4/2016 McMahan et al.  
 D753,567 S 4/2016 Boniface et al.  
 D754,571 S 4/2016 Boniface et al.  
 D754,572 S 4/2016 McMahan et al.  
 D755,088 S 5/2016 McMahan et al.  
 D756,869 S 5/2016 McMahan et al.  
 D758,271 S 6/2016 McMahan et al.  
 D762,533 S \* 8/2016 Tsutamori ..... D12/169  
 D767,449 S 9/2016 Pevovar et al.  
 D767,450 S 9/2016 Lee et al.  
 D767,451 S 9/2016 Kozub et al.  
 D767,454 S 9/2016 McMahan et al.  
 D767,458 S 9/2016 Kim  
 D767,459 S 9/2016 Kim  
 D767,460 S 9/2016 Kozub et al.  
 D767,461 S 9/2016 Kozub et al.  
 D787,990 S \* 5/2017 Kozub ..... D12/169  
 D788,644 S \* 6/2017 Mueller ..... D12/91  
 D788,645 S \* 6/2017 Mueller ..... D12/91  
 D801,882 S \* 11/2017 Kozub ..... D12/169

\* cited by examiner

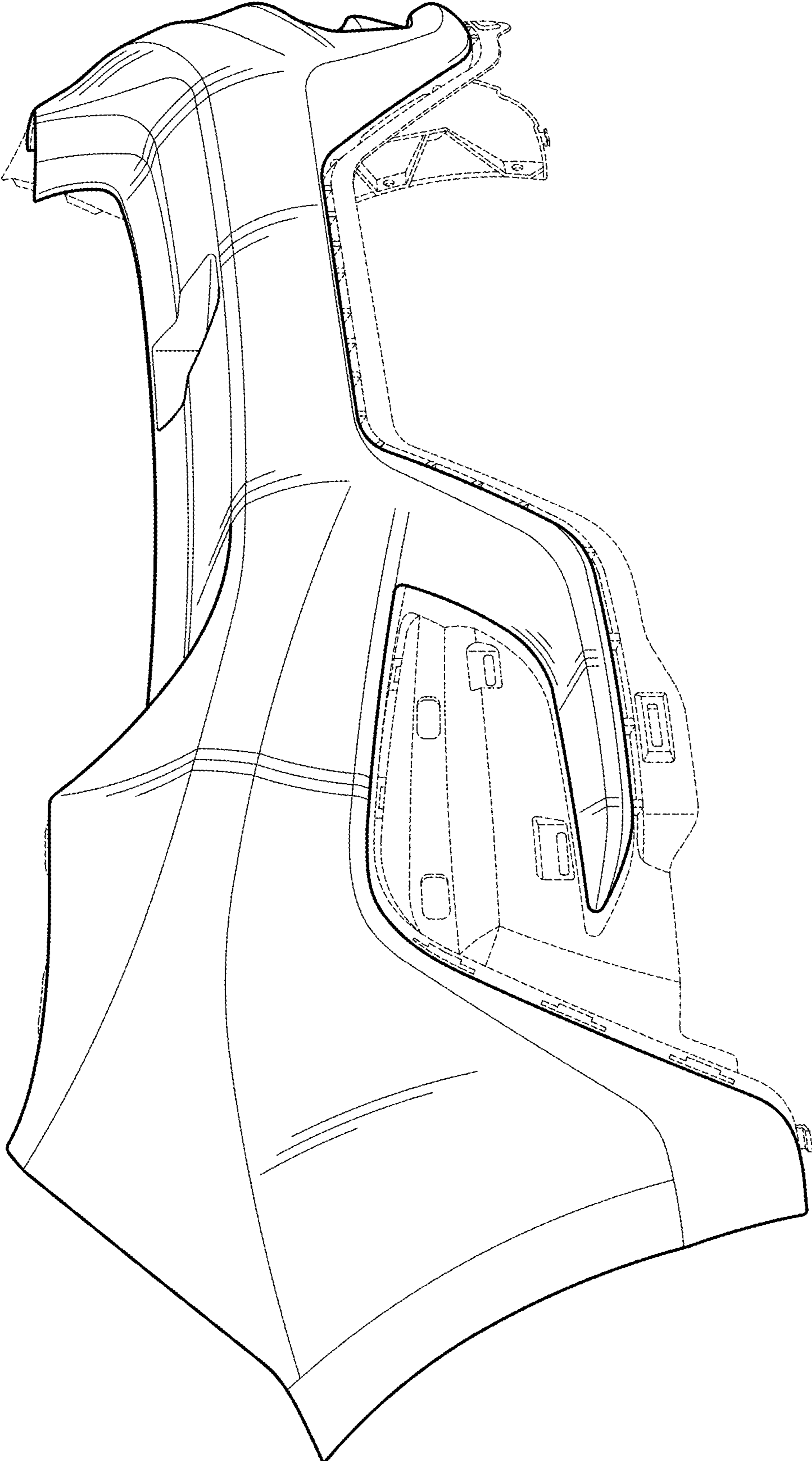


FIG. 1

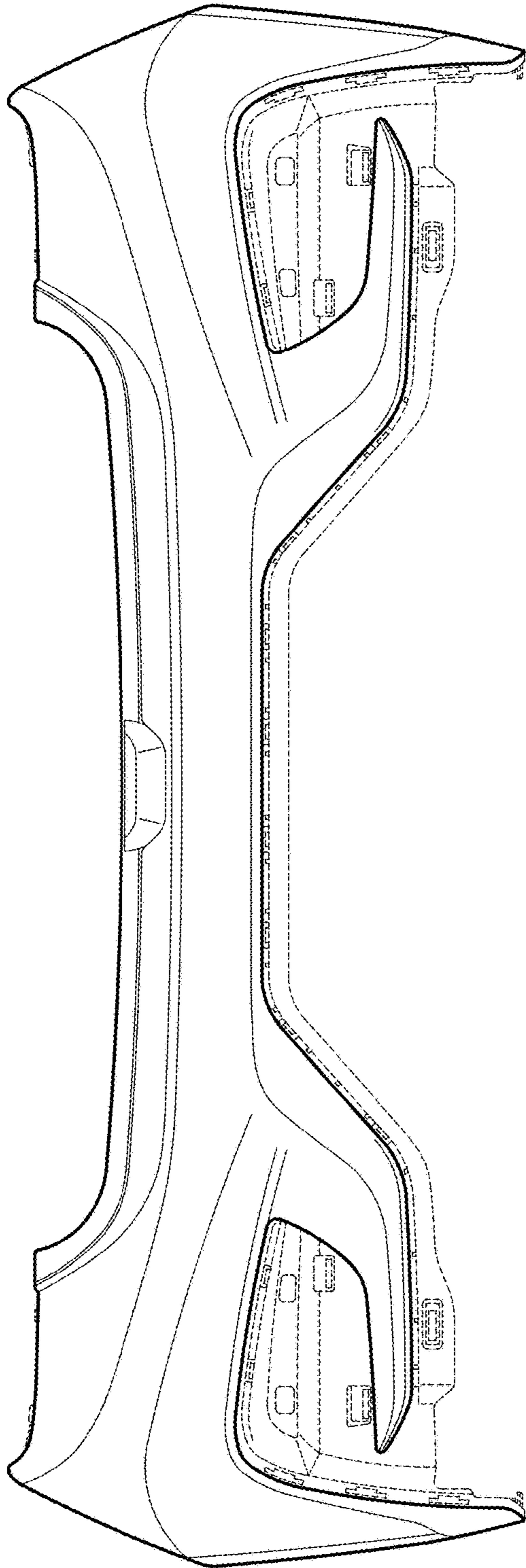


FIG. 2

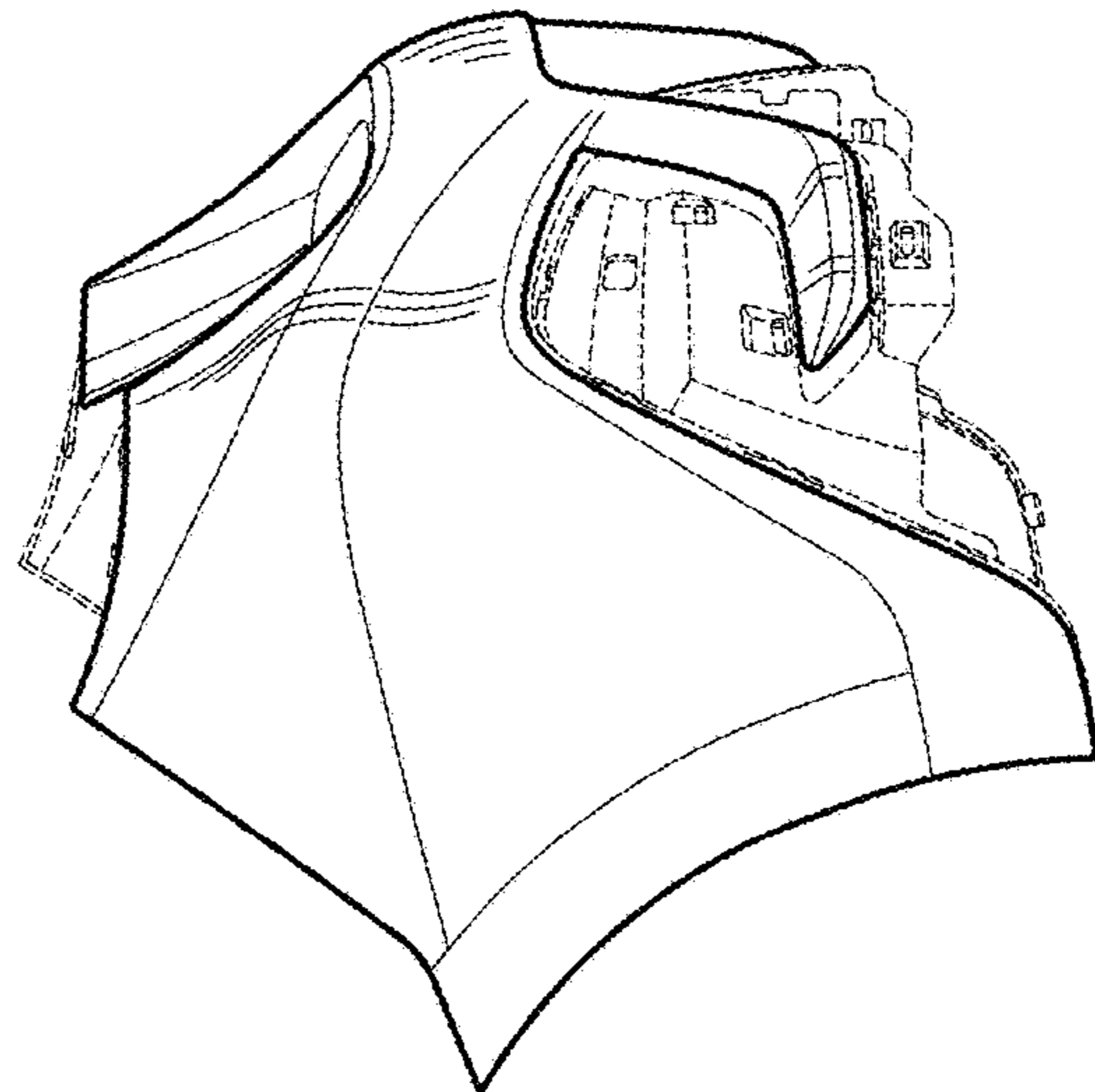


FIG. 3

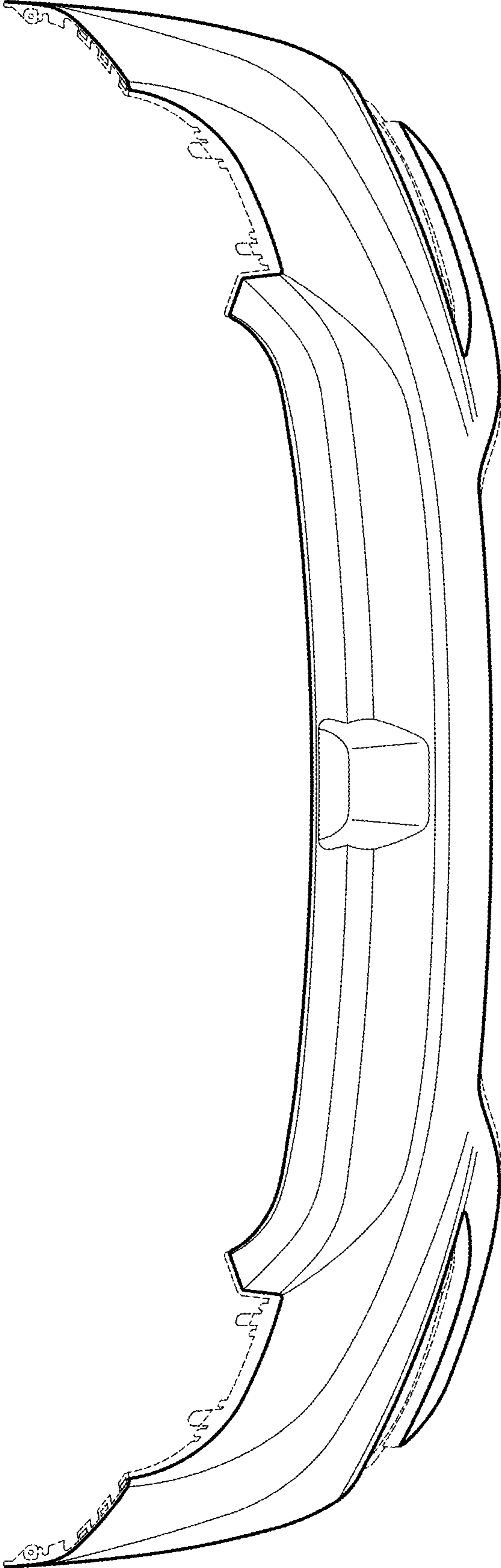


FIG. 4