



US00D813739S

(12) **United States Design Patent** (10) **Patent No.:** **US D813,739 S**
Szavits (45) **Date of Patent:** **** Mar. 27, 2018**

(54) **FRONT BUMPER FOR A VEHICLE**
(71) Applicant: **Bayerische Motoren Werke Aktiengesellschaft, Munich (DE)**
(72) Inventor: **Michael Szavits, Munich (DE)**
(73) Assignee: **Bayerische Motoren Werke Aktiengesellschaft, Munich (DE)**

D712,804 S * 9/2014 Scheinhutte D12/169
D717,219 S * 11/2014 Murakawa D12/169
D721,021 S * 1/2015 Hanaoka D12/169
D733,623 S * 7/2015 Robinson D12/169
D738,799 S 9/2015 Goepfel
D748,542 S * 2/2016 Horiuchi D12/169
D768,040 S * 10/2016 Stopka D12/169
D772,119 S 11/2016 De Bono

(**) Term: **15 Years**
(21) Appl. No.: **29/581,552**

FOREIGN PATENT DOCUMENTS

EM 002401430-0001 2/2014
WO WO DM/084971 5/2015

(22) Filed: **Oct. 20, 2016**

* cited by examiner

(30) **Foreign Application Priority Data**

Primary Examiner — Melody N Brown

Apr. 21, 2016 (DE) 40 2016 100 513

(74) *Attorney, Agent, or Firm* — Crowell & Moring LLP

(51) **LOC (11) Cl.** **12-16**

(52) **U.S. Cl.**
USPC **D12/169**

(57) **CLAIM**

The ornamental design for a front bumper for a vehicle, as shown and described.

(58) **Field of Classification Search**

USPC D12/169, 216, 90-92, 86, 171, 196, 163;
293/102, 113, 115, 117, 120; 296/180.1,
296/180.2

DESCRIPTION

This application contains subject matter related to the following co-pending U.S. design patent applications:

Application Ser. No. 29/581,549, filed herewith and entitled "Vehicle, Toy, and/or Replicas Thereof"; and

Application Ser. No. 29/581,551, filed herewith and entitled "Front Bumper for a Vehicle".

CPC B60R 19/02; B60R 19/04; B62D 25/08
See application file for complete search history.

FIG. 1 is a front view of a front bumper for a vehicle according to the design;

(56) **References Cited**

U.S. PATENT DOCUMENTS

D682,754 S * 5/2013 Robinson D12/169
D684,099 S * 6/2013 McCabe D12/169
D695,163 S * 12/2013 Scheinhutte D12/169
D700,114 S * 2/2014 Wada D12/169
D703,117 S * 4/2014 Osborne D12/169
D704,604 S * 5/2014 Okumoto D12/169
D708,997 S * 7/2014 Koizumi D12/169
D712,803 S * 9/2014 Scheinhutte D12/169

FIG. 2 is a right, front perspective view thereof;

FIG. 3 is a rear perspective view thereof;

FIG. 4 is a right side view thereof;

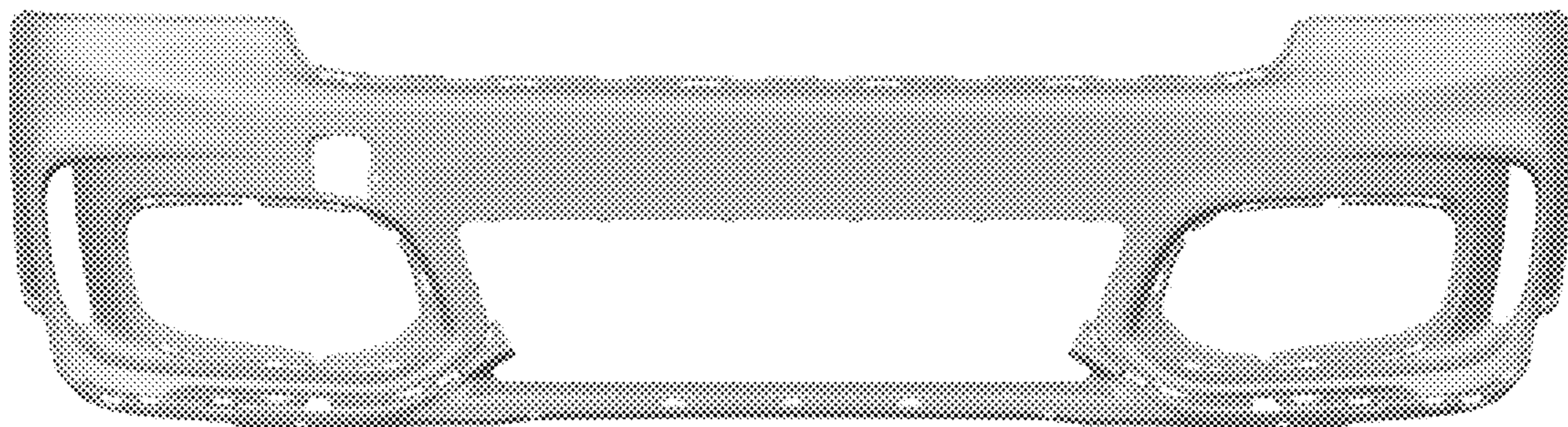
FIG. 5 is a left side view thereof;

FIG. 6 is a top view thereof;

FIG. 7 is a bottom view thereof; and,

FIG. 8 is a rear view thereof.

1 Claim, 8 Drawing Sheets



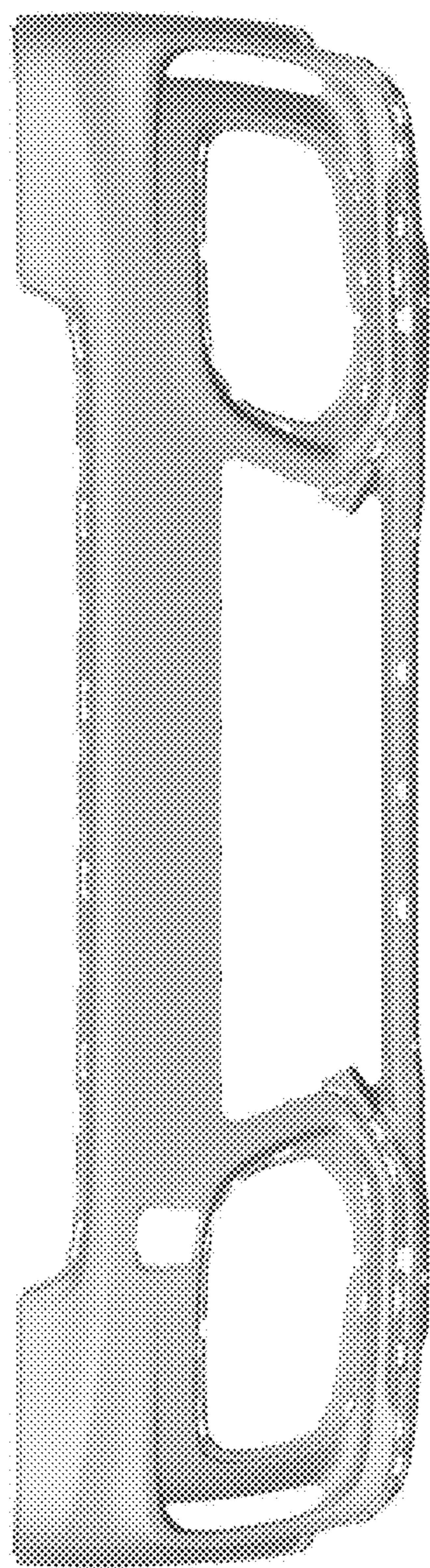


Fig. 1

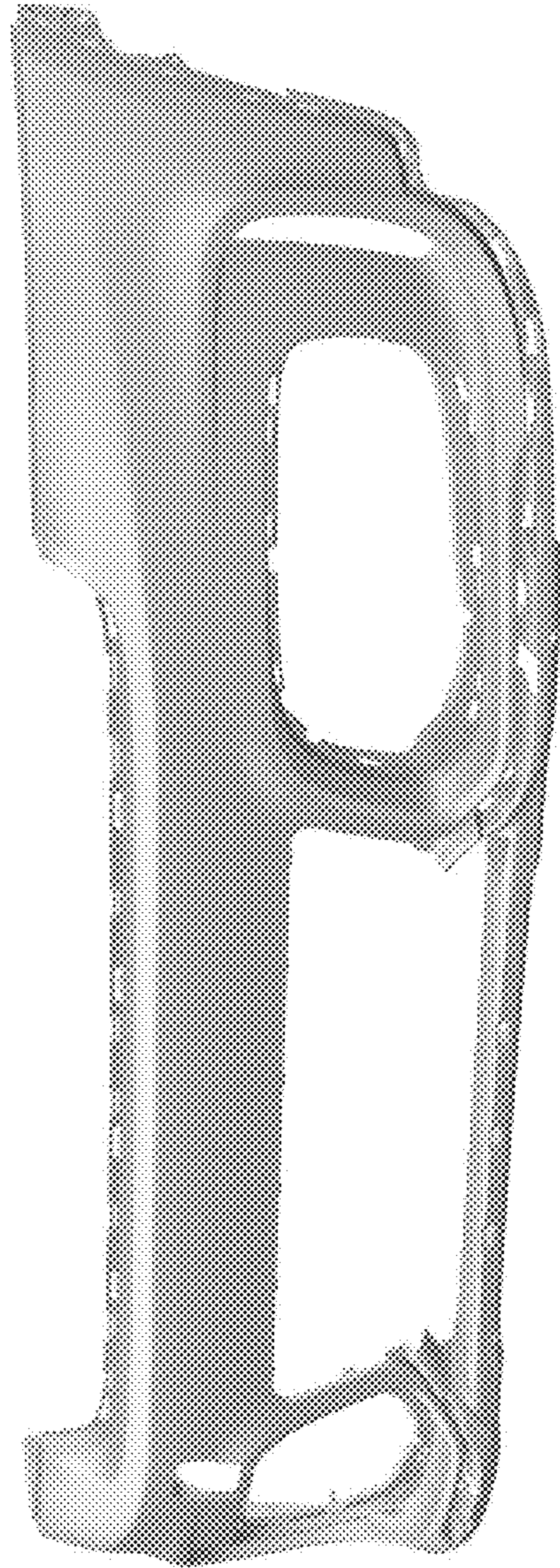


Fig. 2

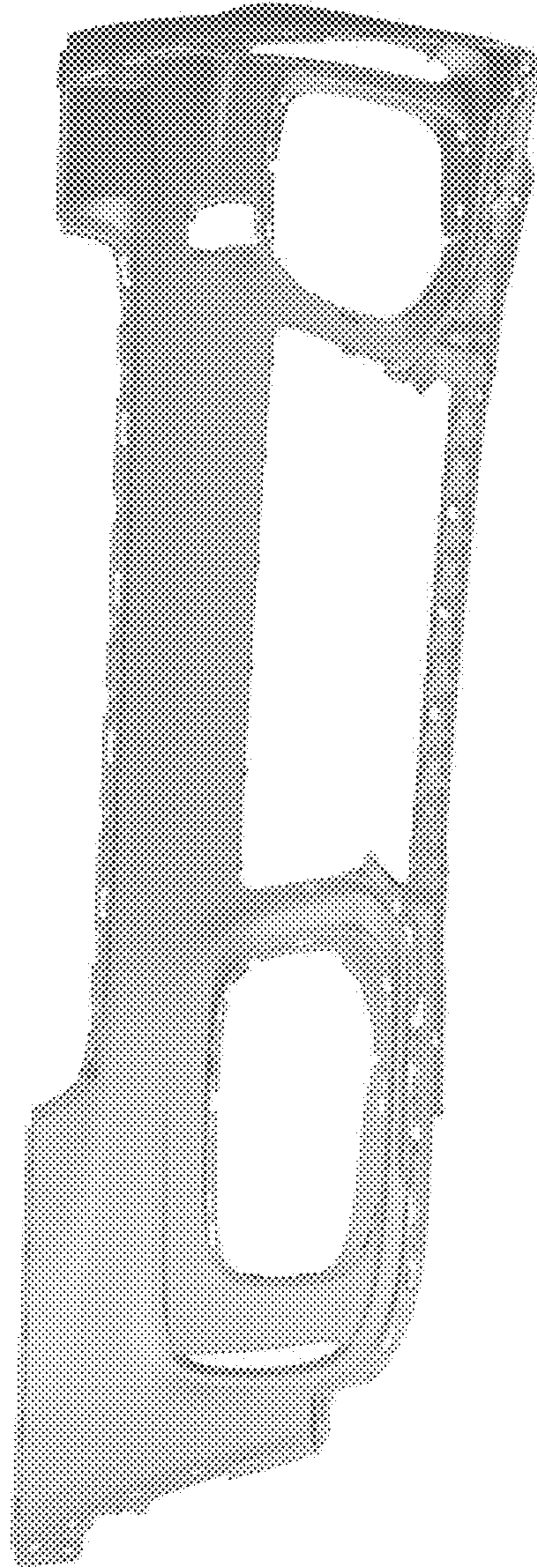


Fig. 3

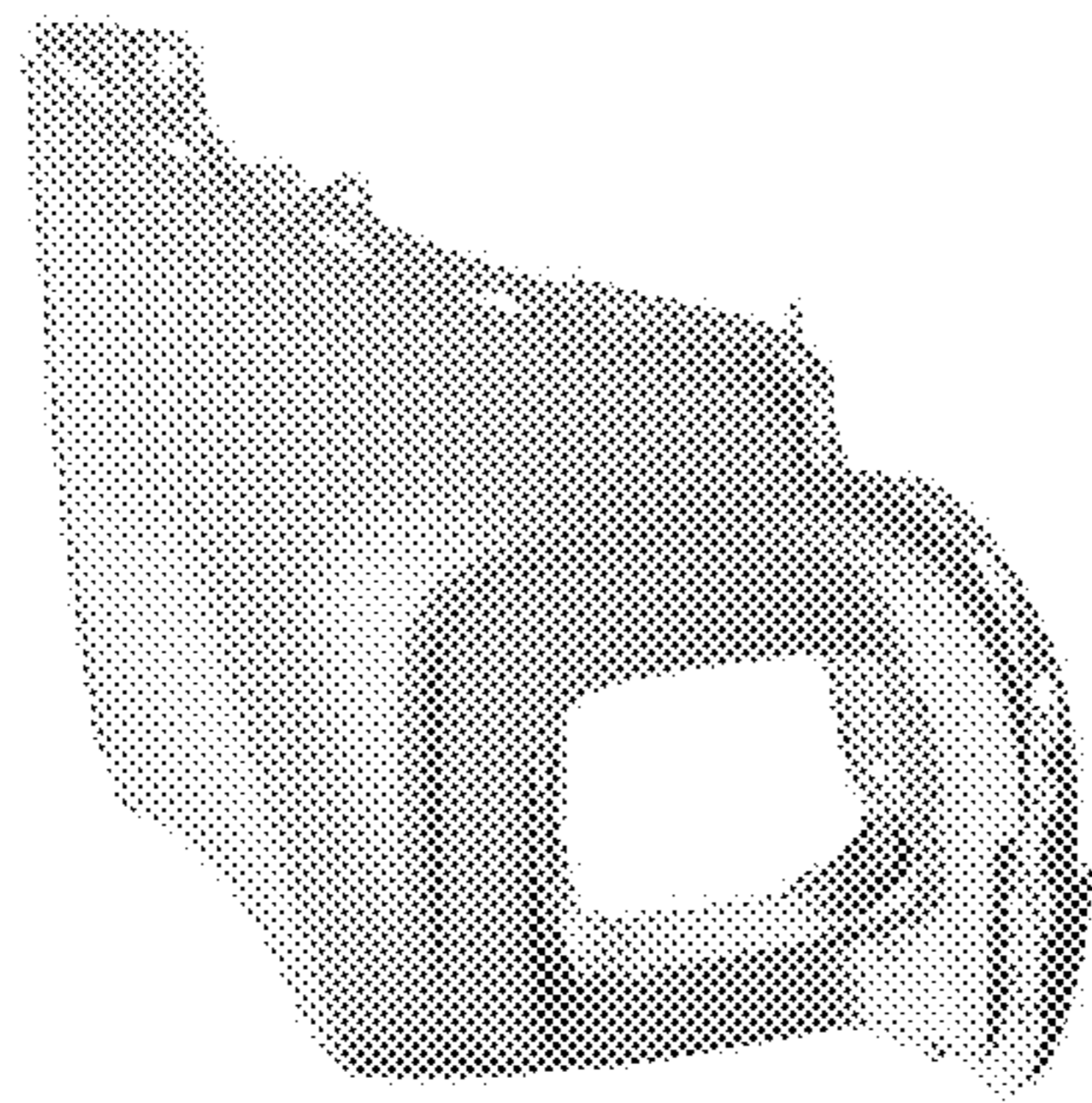


Fig. 4

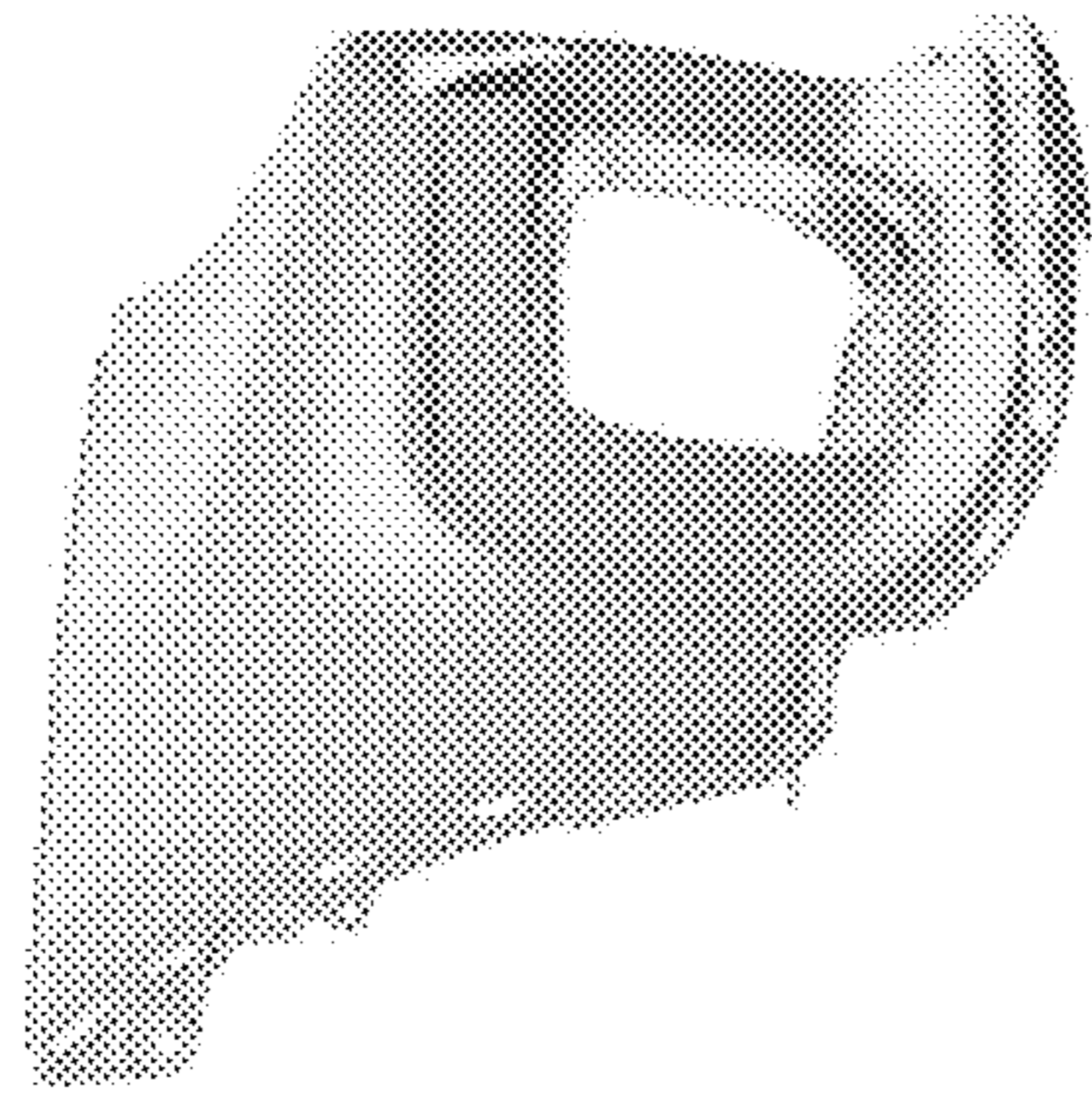


Fig. 5

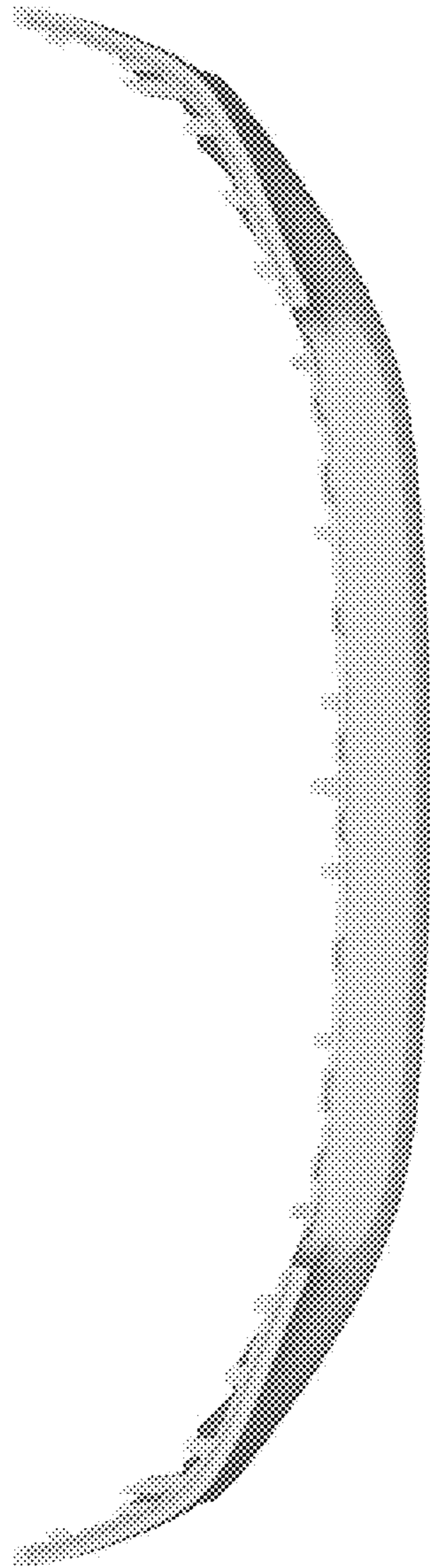


Fig. 6

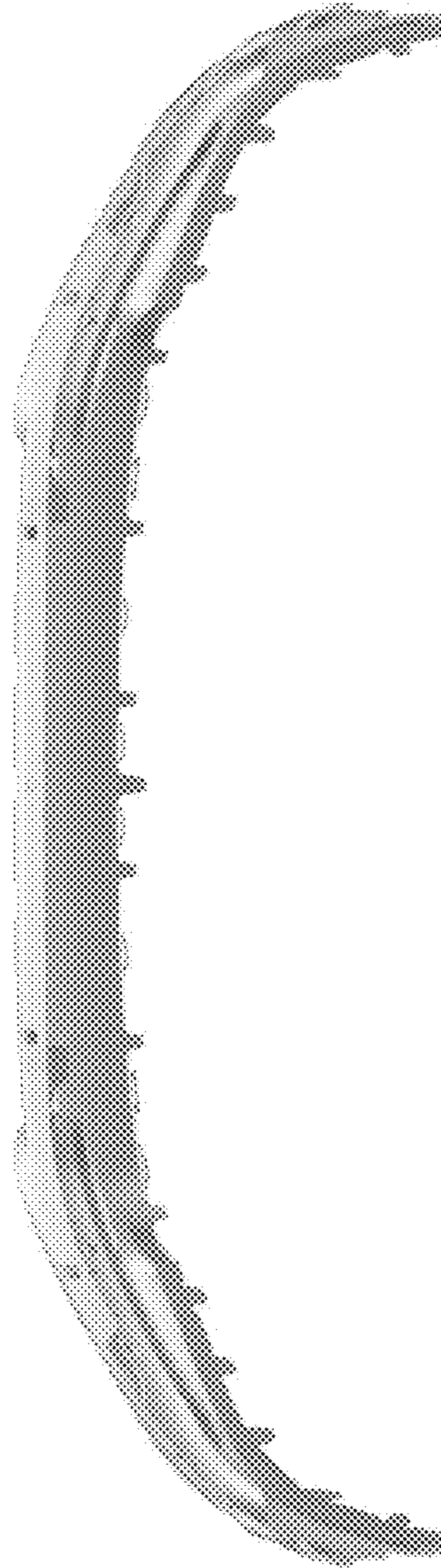


Fig. 7

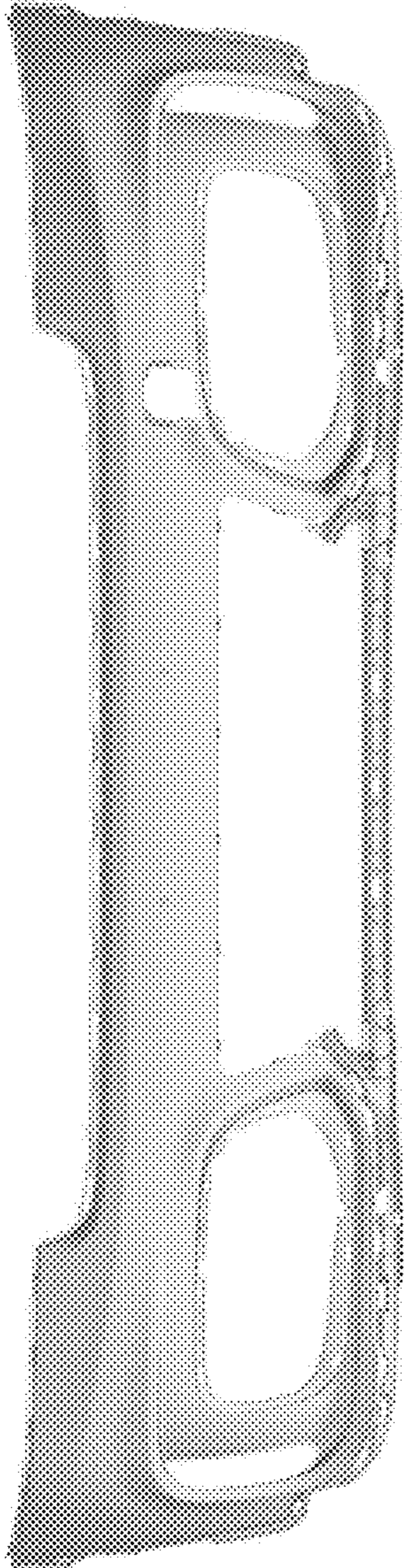


Fig. 8