



US00D813727S

(12) **United States Design Patent** (10) **Patent No.:** **US D813,727 S**
Beermann (45) **Date of Patent:** **** Mar. 27, 2018**

(54) **VEHICLE, TOY, AND/OR REPLICAS THEREOF**

(71) Applicant: **Bayerische Motoren Werke Aktiengesellschaft, Munich (DE)**

(72) Inventor: **Page Beermann, Marina Del Rey, CA (US)**

(73) Assignee: **Bayerische Motoren Werke Aktiengesellschaft, Munich (DE)**

(**) Term: **15 Years**

(21) Appl. No.: **29/579,102**

(22) Filed: **Sep. 28, 2016**

(30) **Foreign Application Priority Data**

Mar. 29, 2016 (DE) 40 2016 100 365

(51) **LOC (11) Cl.** **12-08**

(52) **U.S. Cl.**
USPC **D12/92**

(58) **Field of Classification Search**
USPC D12/86, 90-92, 88; D21/421, 433, 434;
296/181.1, 181.5

(Continued)

(56) **References Cited**

U.S. PATENT DOCUMENTS

D620,843 S 8/2010 Froehlich
D686,534 S 7/2013 Weil

(Continued)

FOREIGN PATENT DOCUMENTS

EM 001643164-0001 10/2010
EM 001985441-0001 8/2012

Primary Examiner — Melody N Brown

(74) *Attorney, Agent, or Firm* — Crowell & Moring LLP

(57) **CLAIM**

The ornamental design for a vehicle, toy, and/or replicas thereof, as shown and described.

DESCRIPTION

This application contains subject matter related to the following co-pending U.S. design patent applications: Application Ser. No. 29/579,103, filed herewith and entitled "Hood for a Vehicle"; Application Ser. No. 29/579,104, filed herewith and entitled "Front Bumper for a Vehicle"; Application Ser. No. 29/579,105, filed herewith and entitled "Front Fender for a Vehicle"; Application Ser. No. 29/579,107, filed herewith and entitled "Rear Bumper for a Vehicle"; Application Ser. No. 29/579,108, filed herewith and entitled "Radiator Grill for a Vehicle"; Application Ser. No. 29/579,109, filed herewith and entitled "Vehicle, Toy, and/or Replicas Thereof"; Application Ser. No. 29/579,110, filed herewith and entitled "Front Bumper for a Vehicle"; Application Ser. No. 29/579,111, filed herewith and entitled "Rear Bumper for a Vehicle"; Application Ser. No. 29/579,112, filed herewith and entitled "Headlight for a Vehicle"; Application Ser. No. 29/579,113, filed herewith and entitled "Headlight for a Vehicle"; Application Ser. No. 29/579,114, filed herewith and entitled "Taillight for a Vehicle"; and Application Ser. No. 29/579,115, filed herewith and entitled "Taillight for a Vehicle".

FIG. 1 is a left, front perspective view of a vehicle, toy, and/or replicas thereof according to the design;

FIG. 2 is a left side view thereof;

FIG. 3 is a right side view thereof;

FIG. 4 is a left, rear perspective view thereof;

FIG. 5 is a front view thereof;

FIG. 6 is a rear view thereof; and,

FIG. 7 is a top view thereof.

1 Claim, 7 Drawing Sheets



(58) **Field of Classification Search**

CPC B62D 35/00; B62D 25/00; B62D 25/06;
B62D 33/00

See application file for complete search history.

(56) **References Cited**

U.S. PATENT DOCUMENTS

D710,760 S *	8/2014	Johnson	D12/91
D716,187 S *	10/2014	Beermann	D12/92
D716,189 S *	10/2014	Nordmann	D12/92
D727,796 S *	4/2015	Weil	D12/92
D727,797 S *	4/2015	Weil	D12/92
D728,429 S *	5/2015	Nissl	D12/92
D738,787 S *	9/2015	Clottu	D12/92
D742,283 S *	11/2015	Forsgren	D12/92
D743,846 S *	11/2015	Guille	D12/92
D757,607 S *	5/2016	Nissl	D12/91
D762,524 S *	8/2016	Luk	D12/91
D764,979 S *	8/2016	Faghihزadeh	
D776,005 S *	1/2017	Forschner	D12/91

* cited by examiner



Fig. 1

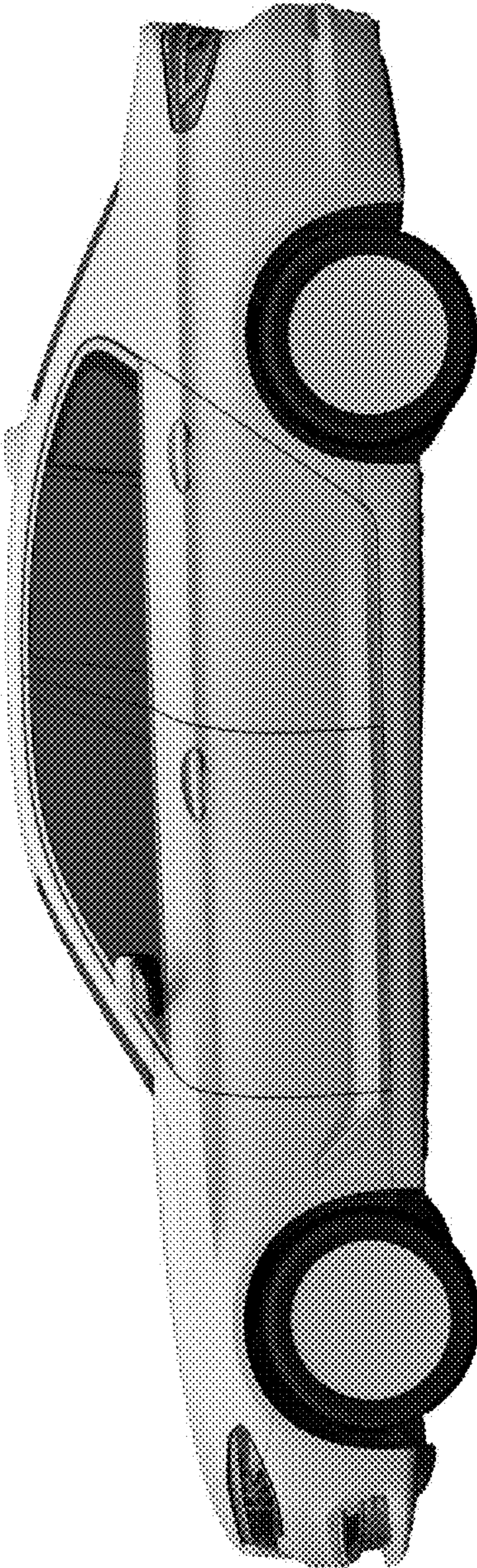


Fig. 2

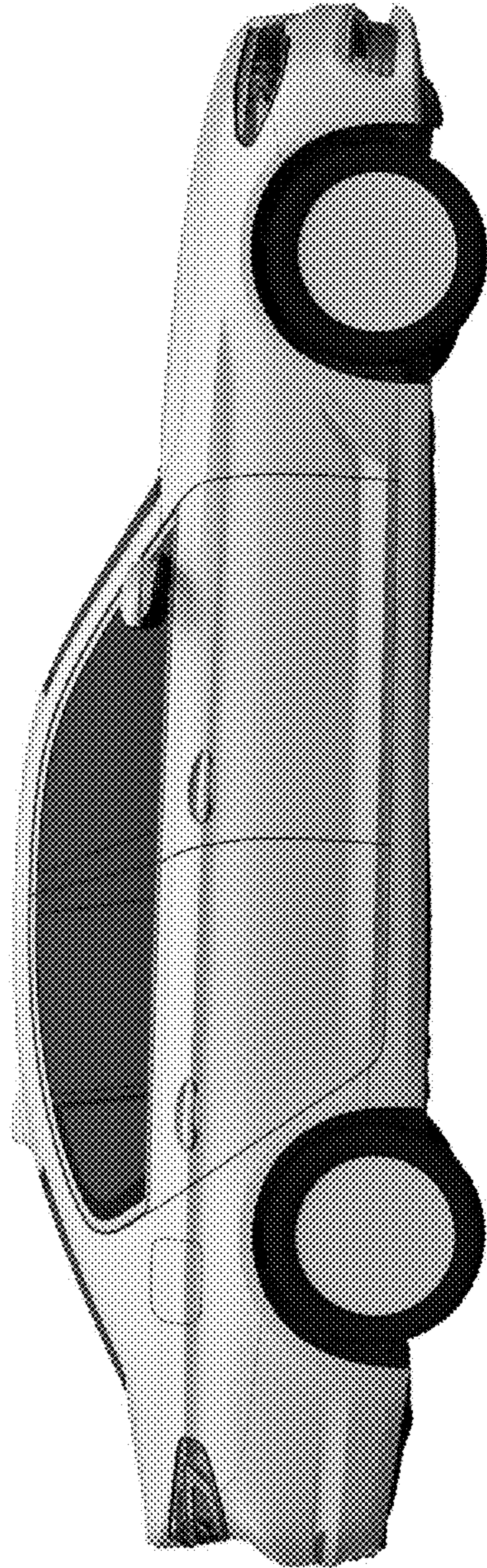


Fig. 3

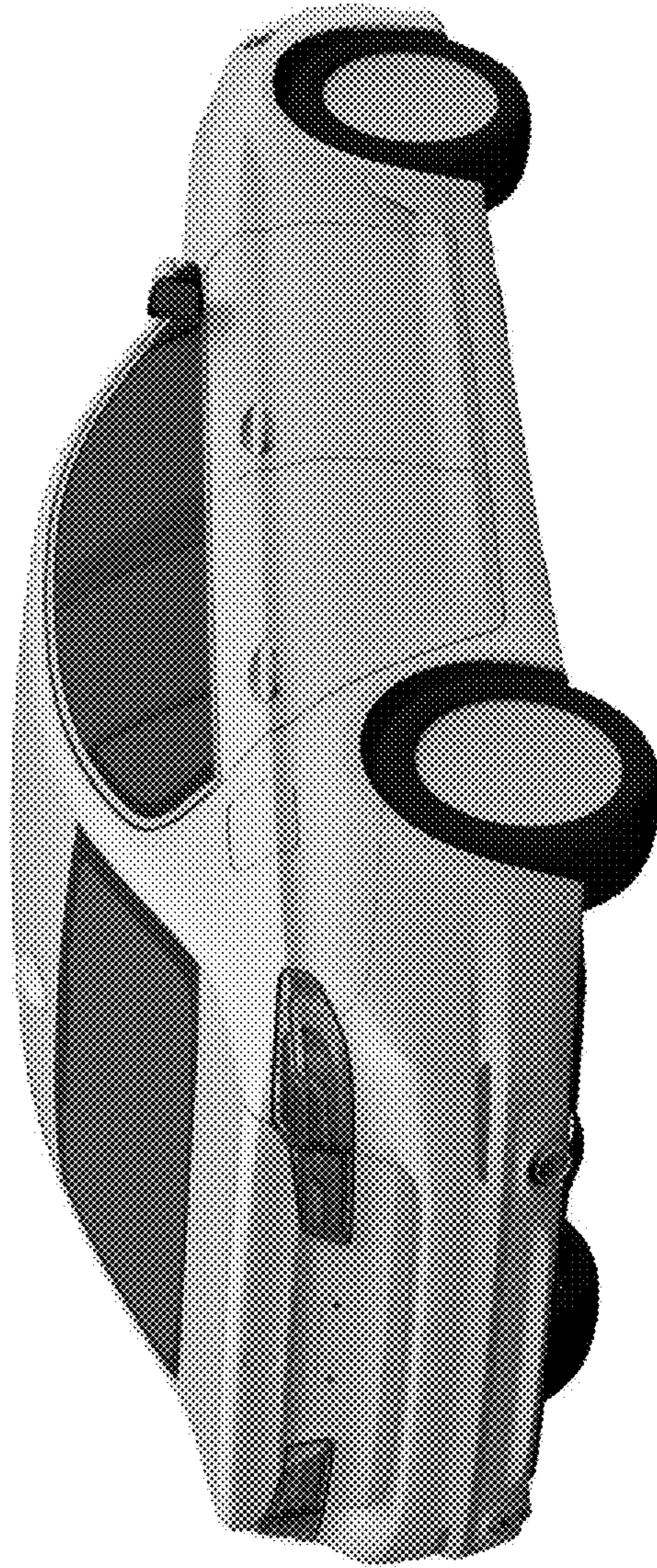


Fig. 4

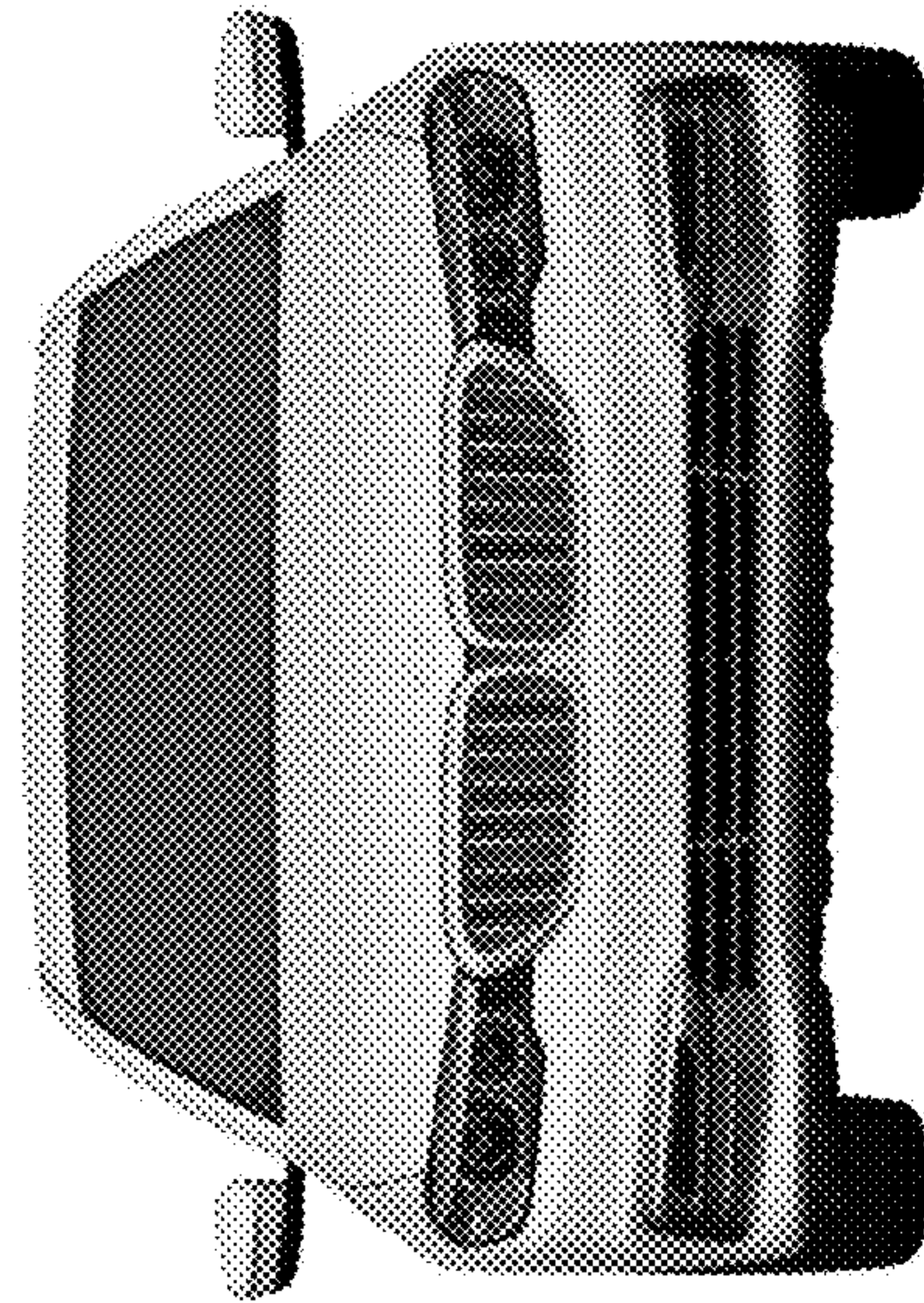


Fig. 5

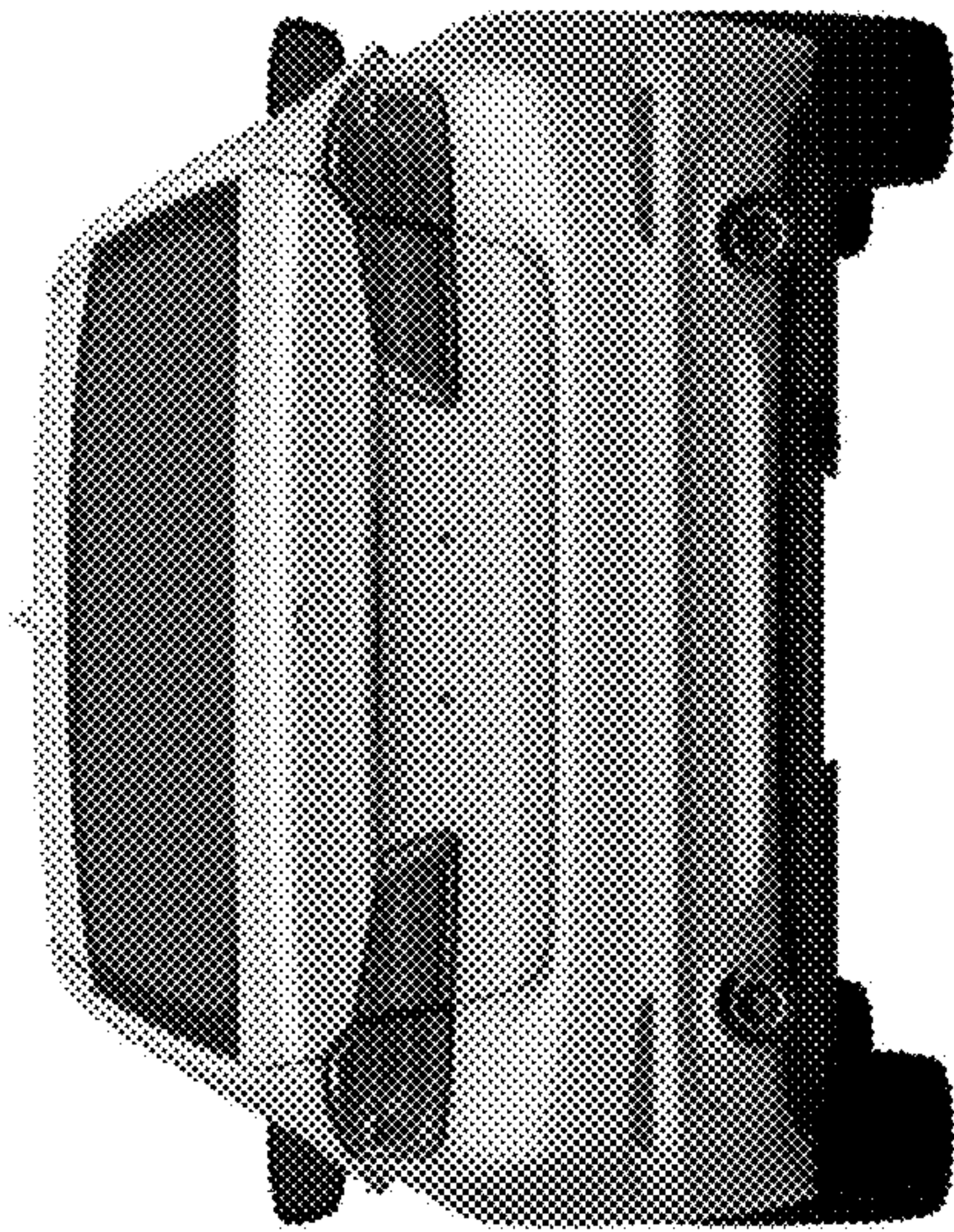


Fig. 6

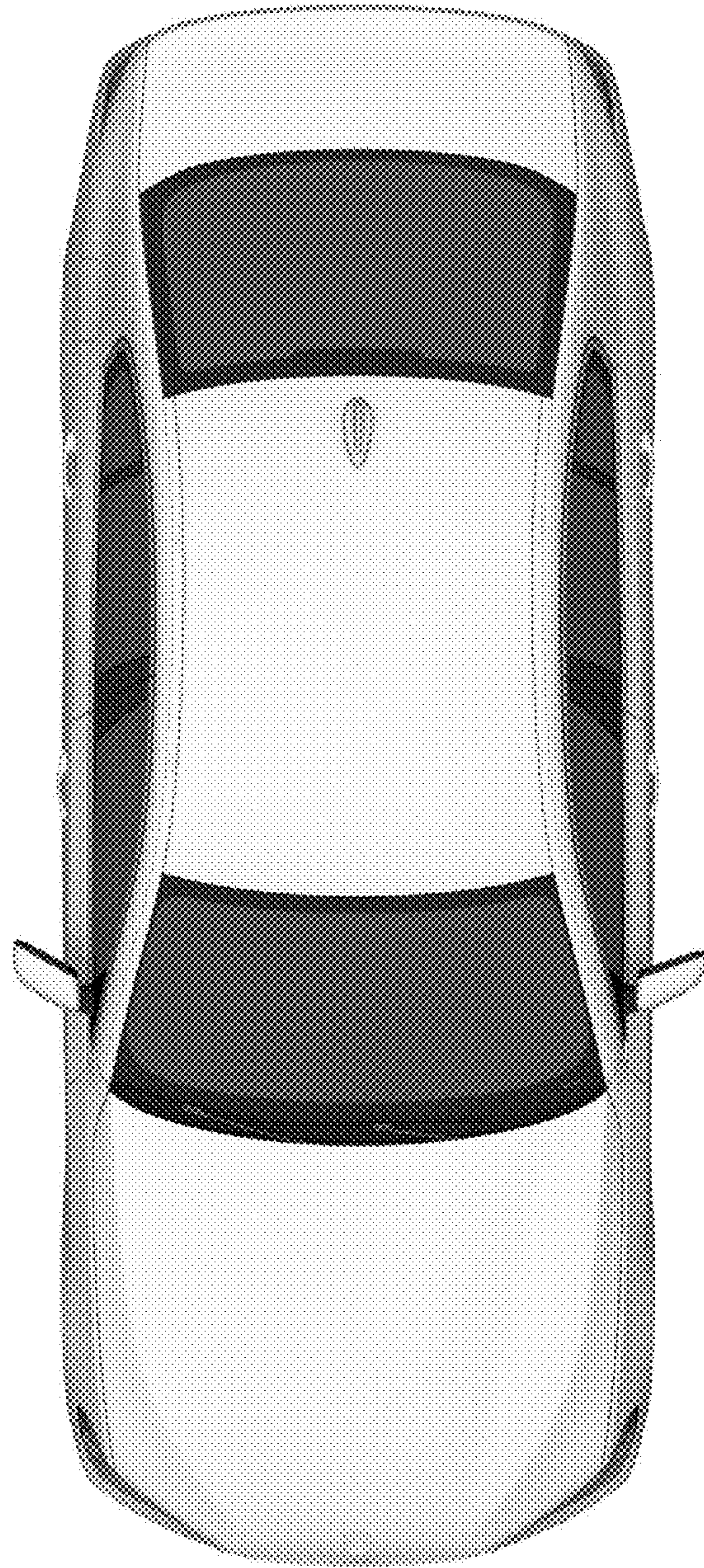


Fig. 7