



US00D813726S

(12) **United States Design Patent** (10) **Patent No.:** **US D813,726 S**
Tanghe (45) **Date of Patent:** **** Mar. 27, 2018**

(54) **VEHICLE, TOY, AND/OR REPLICAS THEREOF**

Primary Examiner — Melody N Brown
(74) *Attorney, Agent, or Firm* — Crowell & Moring LLP

(71) Applicant: **Bayerische Motoren Werke Aktiengesellschaft, Munich (DE)**

(57) **CLAIM**

(72) Inventor: **Pascal Tanghe, Munich (DE)**

The ornamental design for a vehicle, toy, and/or replicas thereof, as shown and described.

(73) Assignee: **Bayerische Motoren Werke Aktiengesellschaft, Munich (DE)**

(**) Term: **15 Years**

DESCRIPTION

(21) Appl. No.: **29/579,109**

This application contains subject matter related to the following co-pending U.S. design patent applications: Application Ser. No. 29/579,102, filed herewith and entitled "Vehicle, Toy, and/or Replicas Thereof"; Application Ser. No. 29/579,103, filed herewith and entitled "Hood for a Vehicle"; Application Ser. No. 29/579,104, filed herewith and entitled "Front Bumper for a Vehicle"; Application Ser. No. 29/579,105, filed herewith and entitled "Front Fender for a Vehicle"; Application Ser. No. 29/579,107, filed herewith and entitled "Rear Bumper for a Vehicle"; Application Ser. No. 29/579,108, filed herewith and entitled "Radiator Grill for a Vehicle"; Application Ser. No. 29/579,110, filed herewith and entitled "Front Bumper for a Vehicle"; Application Ser. No. 29/579,111, filed herewith and entitled "Rear Bumper for a Vehicle"; Application Ser. No. 29/579,112, filed herewith and entitled "Headlight for a Vehicle"; and Application Ser. No. 29/579,113, filed herewith and entitled "Headlight for a Vehicle".

(22) Filed: **Sep. 28, 2016**

(30) **Foreign Application Priority Data**

Mar. 29, 2016 (DE) 40 2016 100 365

(51) **LOC (11) Cl.** **12-08**

(52) **U.S. Cl.**
USPC **D12/91**

(58) **Field of Classification Search**
USPC D12/86, 90-92; D21/424, 433, 434; 296/181.1, 181.5
CPC B62D 35/00; B62D 25/00; B62D 25/06; B62D 33/00
See application file for complete search history.

FIG. 1 is a left, front perspective view of a vehicle, toy, and/or replicas thereof according to the design; FIG. 2 is a left side view thereof; FIG. 3 is a right side view thereof; FIG. 4 is a left, rear perspective view thereof; FIG. 5 is a front view thereof; FIG. 6 is a rear view thereof; and, FIG. 7 is a top view thereof.

(56) **References Cited**

U.S. PATENT DOCUMENTS

D621,747 S	8/2010	Huet	
D686,110 S	7/2013	De Bono	
D710,760 S *	8/2014	Johnson	D12/91
D716,189 S *	10/2014	Nordmann	D12/92
D743,846 S *	11/2015	Guille	D12/92
D757,607 S *	5/2016	Nissl	D12/91

(Continued)

FOREIGN PATENT DOCUMENTS

EM	001643164-0002	10/2010
EM	001985441-0002	8/2012

1 Claim, 7 Drawing Sheets



(56)

References Cited

U.S. PATENT DOCUMENTS

D762,524 S * 8/2016 Luk D12/91
D764,979 S 8/2016 Faghihzadeh
D776,005 S * 1/2017 Forschner D12/91

* cited by examiner



Fig. 1

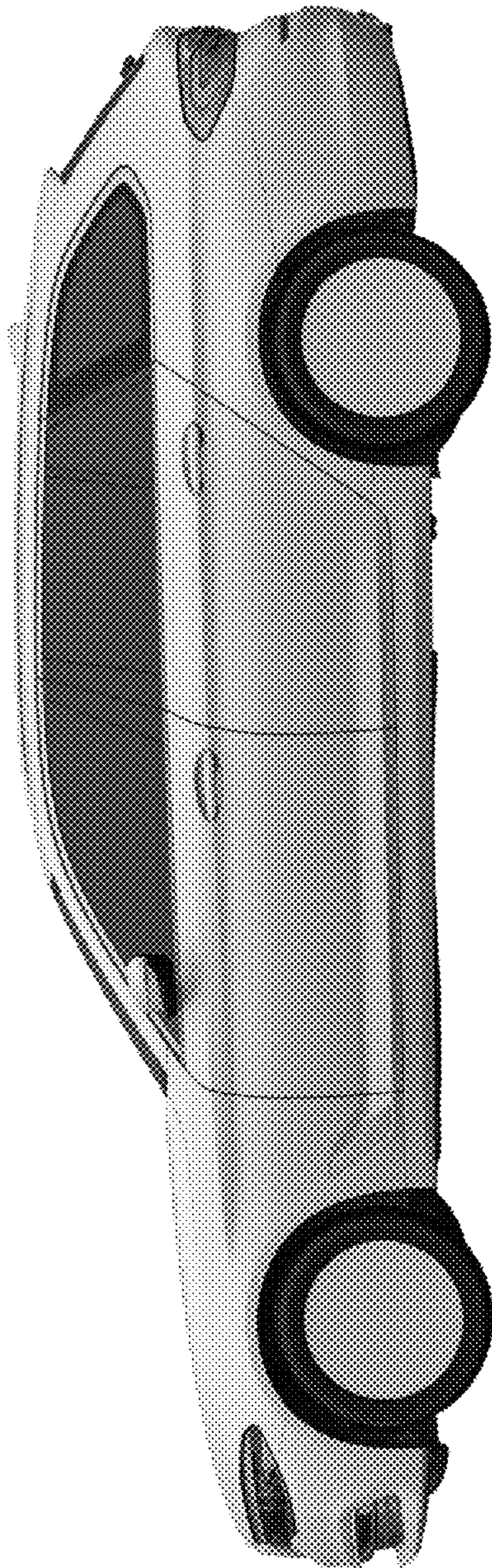


Fig. 2

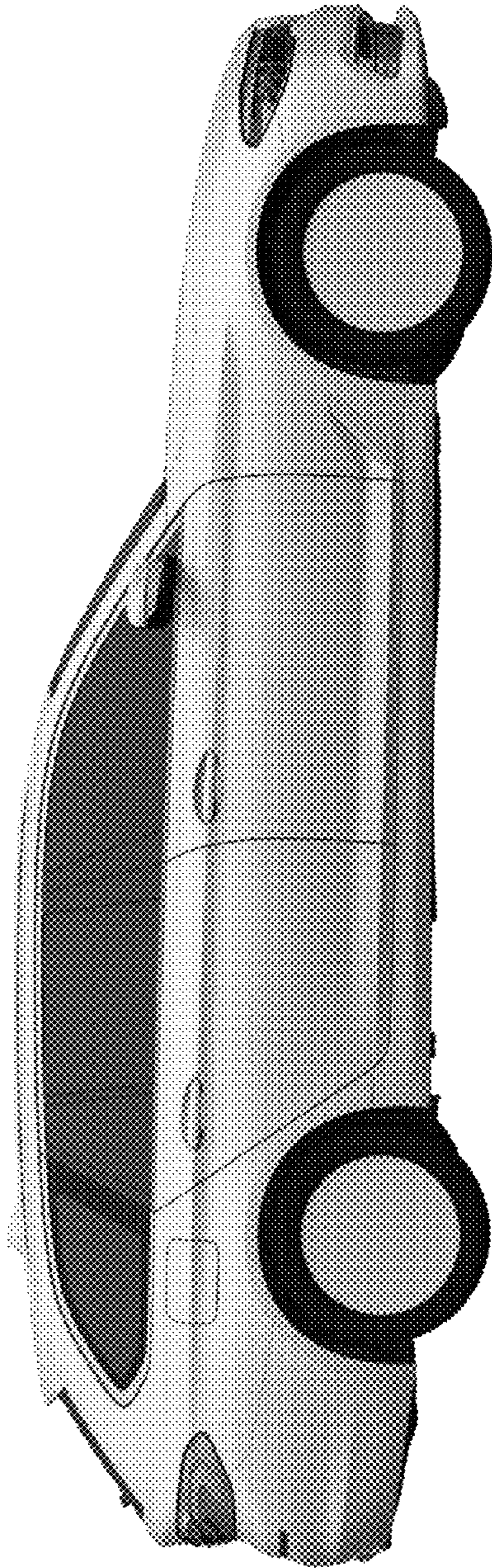


Fig. 3

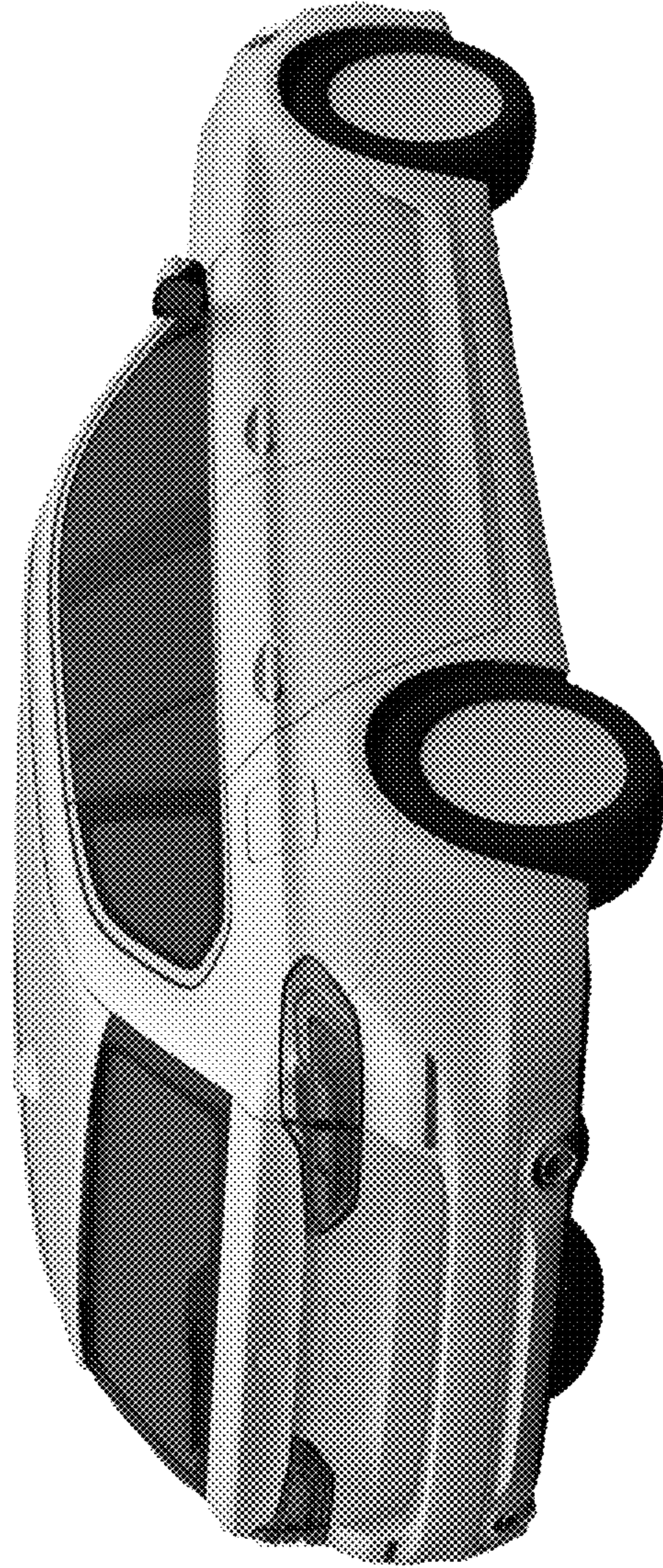


Fig. 4

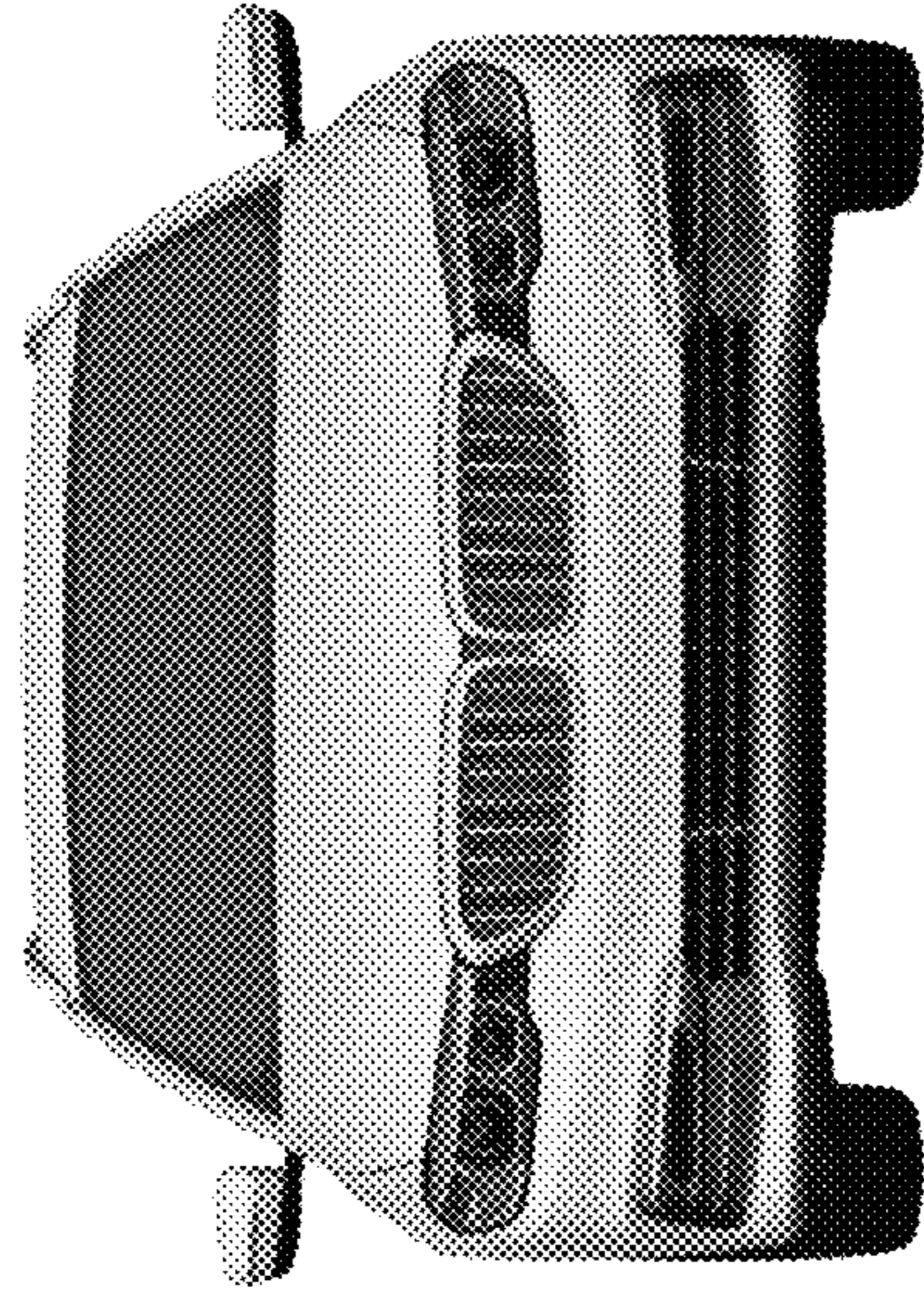


Fig. 5

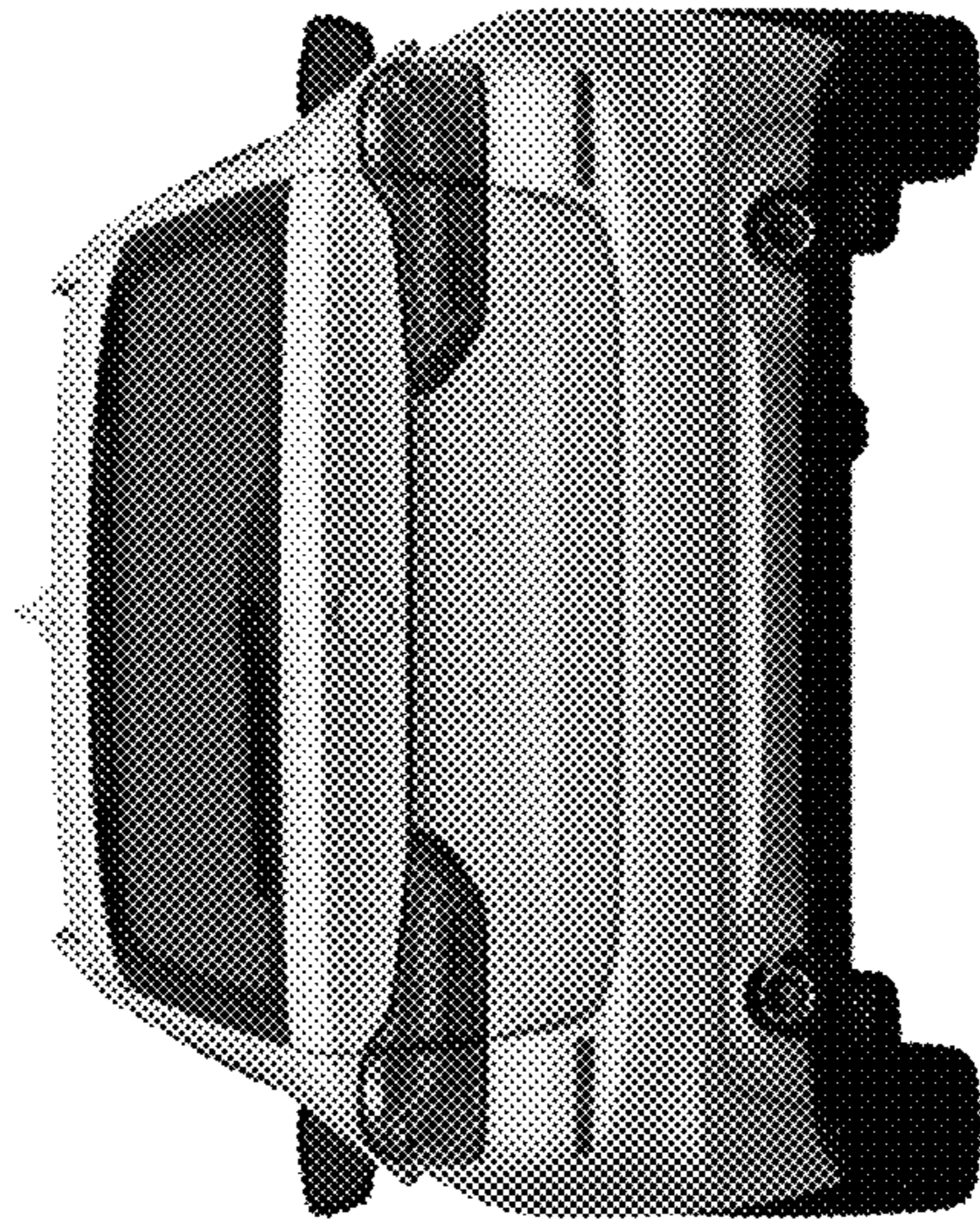


Fig. 6

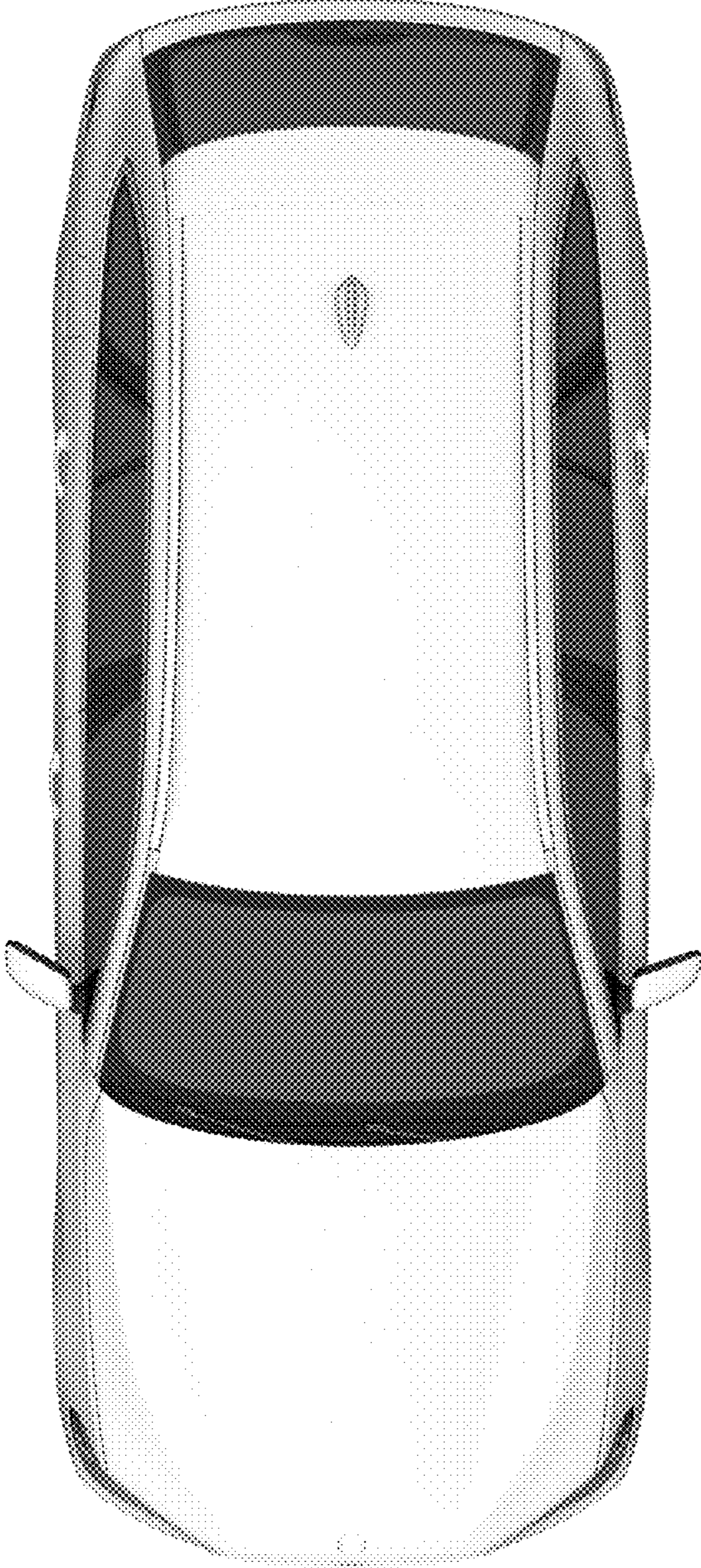


Fig. 7