



US00D813724S

(12) **United States Design Patent**  
**Hu**

(10) **Patent No.:** **US D813,724 S**  
(45) **Date of Patent:** **\*\* Mar. 27, 2018**

- (54) **UNMANNED AERIAL VEHICLE**
- (71) Applicant: **SHENZHEN C-FLY INTELLIGENT TECHNOLOGY CO., LTD.**,  
Shenzhen, Guangdong Province (CN)
- (72) Inventor: **Guoqiang Hu**, Huarong County (CN)
- (73) Assignee: **SHENZHEN C-FLY INTELLIGENT TECHNOLOGY CO., LTD.**,  
Shenzhen, Guangdong Province (CN)

D795,743	S	*	8/2017	Li	.....	D12/16.1
D795,784	S	*	8/2017	Guo	.....	D12/328
D795,967	S	*	8/2017	Haley	.....	D12/16.1
9,738,381	B1	*	8/2017	Loud	.....	B64C 39/024
D796,586	S	*	9/2017	Chen	.....	D12/16.1
D797,602	S	*	9/2017	Li	.....	D12/16.1
9,751,625	B2	*	9/2017	Phan	.....	B64C 39/024
D798,961	S	*	10/2017	Li	.....	D21/441
D801,224	S	*	10/2017	Li	.....	D12/16.1
9,783,294	B2	*	10/2017	Johannesson	.....	B64C 39/024
D803,098	S	*	11/2017	Lee	.....	D12/16.1
D803,328	S	*	11/2017	Lee	.....	D21/441
D806,606	S	*	1/2018	Morrison	.....	D12/16.1
2015/0051755	A1	*	2/2015	Erhart	.....	A63H 27/12

(\*\*) Term: **15 Years**

- (21) Appl. No.: **29/604,643**
- (22) Filed: **May 18, 2017**
- (51) **LOC (11) Cl.** ..... **12-07**
- (52) **U.S. Cl.**  
USPC ..... **D12/16.1**
- (58) **Field of Classification Search**  
USPC ..... D12/16.1, 319, 325, 326, 327, 328,  
D12/329-345; D21/436, 441, 442, 443,  
D21/444, 445-453  
CPC ..... B64C 39/024; B64C 2201/141; B64C  
2201/00; B64C 2201/108  
See application file for complete search history.

(56) **References Cited**

**U.S. PATENT DOCUMENTS**

D628,658	S	*	12/2010	Wurm	.....	D21/442
D691,514	S	*	10/2013	Wang	.....	D12/16.1
D710,452	S	*	8/2014	Barajas	.....	D12/16.1
9,061,763	B1	*	6/2015	Christensen	.....	A63H 17/28
D763,134	S	*	8/2016	Wang	.....	D12/16.1
D768,539	S	*	10/2016	Lee	.....	D12/16.1
D772,991	S	*	11/2016	Caubel	.....	D12/16.1
D782,365	S	*	3/2017	Hung	.....	D12/16.1
D782,366	S	*	3/2017	Xiao	.....	D12/16.1
D784,854	S	*	4/2017	Huang	.....	D12/16.1
D785,541	S	*	5/2017	Du	.....	D12/328

(Continued)

*Primary Examiner* — Robert M. Spear  
*Assistant Examiner* — Marissa J Cash  
 (74) *Attorney, Agent, or Firm* — Li & Cai Intellectual  
 Property (USA) Office

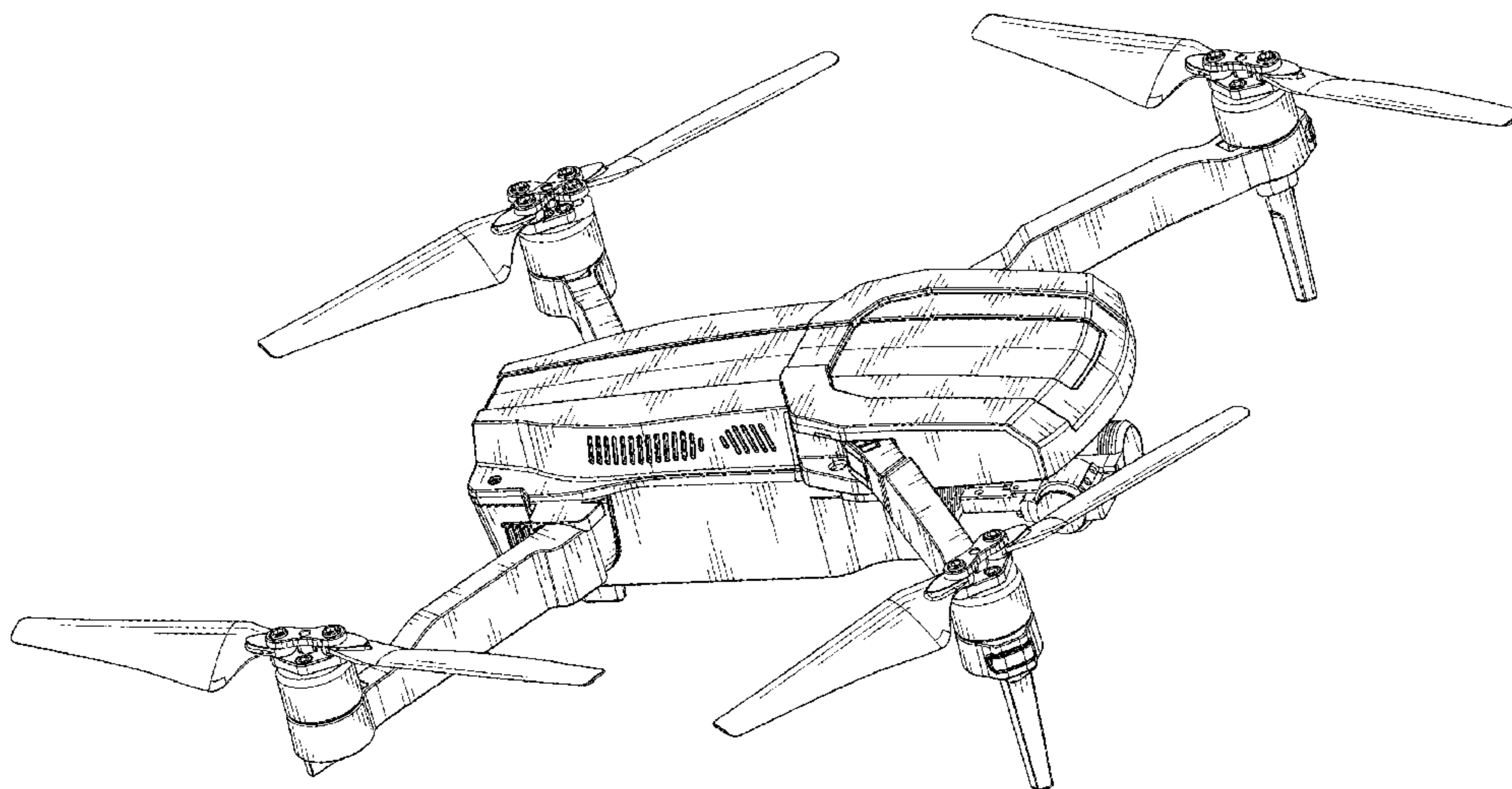
(57) **CLAIM**

The ornamental design for an “unmanned aerial vehicle,” as shown and described.

**DESCRIPTION**

FIG. 1 is a perspective view of an unmanned aerial vehicle showing our new design;  
 FIG. 2 is a front view thereof;  
 FIG. 3 is a rear view thereof;  
 FIG. 4 is a left side view thereof;  
 FIG. 5 is a right side view thereof;  
 FIG. 6 is a top view thereof;  
 FIG. 7 is a bottom view thereof;  
 FIG. 8 is a perspective view viewed from another visual angle thereof;  
 FIG. 9 is a perspective view with the folded up wings viewed from another visual angle thereof; and,  
 FIG. 10 is another perspective view of FIG. 9.

**1 Claim, 10 Drawing Sheets**



(56)

**References Cited**

## U.S. PATENT DOCUMENTS

2015/0129711 A1\* 5/2015 Caubel ..... B64C 27/08  
244/17.23  
2015/0336670 A1\* 11/2015 Zhang ..... B64C 1/00  
244/119  
2016/0337562 A1\* 11/2016 Kang ..... H04N 5/2254  
2016/0362173 A1\* 12/2016 Marion ..... B64C 39/024  
2017/0001721 A1\* 1/2017 Saika ..... B64C 27/48  
2017/0029106 A1\* 2/2017 Chang ..... B64C 25/56  
2017/0134963 A1\* 5/2017 Priest ..... H04W 16/18  
2017/0137127 A1\* 5/2017 Cheng ..... B64C 39/024  
2017/0158328 A1\* 6/2017 Foley ..... B64C 27/08  
2017/0166308 A1\* 6/2017 Desrochers ..... B64D 1/08  
2017/0190260 A1\* 7/2017 Wang ..... B60L 11/1822  
2017/0197718 A1\* 7/2017 Buchmueller ..... B64D 1/22  
2017/0215086 A1\* 7/2017 Priest ..... H04W 16/18  
2017/0221395 A1\* 8/2017 Benatar ..... G09F 13/0409  
2017/0225792 A1\* 8/2017 Wang ..... B64D 17/70  
2017/0240277 A1\* 8/2017 Molnar ..... B64C 39/022  
2017/0247107 A1\* 8/2017 Hauer ..... B64C 39/024  
2017/0267334 A1\* 9/2017 Tsai ..... B64C 25/10  
2017/0283050 A1\* 10/2017 Baek ..... B64C 27/08  
2017/0283090 A1\* 10/2017 Miller ..... B64F 1/36  
2017/0327223 A1\* 11/2017 Sekine ..... B64C 39/024  
2017/0334570 A1\* 11/2017 Xiao ..... H02P 5/74  
2017/0340176 A1\* 11/2017 Liao ..... A47L 1/02  
2017/0358212 A1\* 12/2017 Godwin ..... G08G 5/006

\* cited by examiner

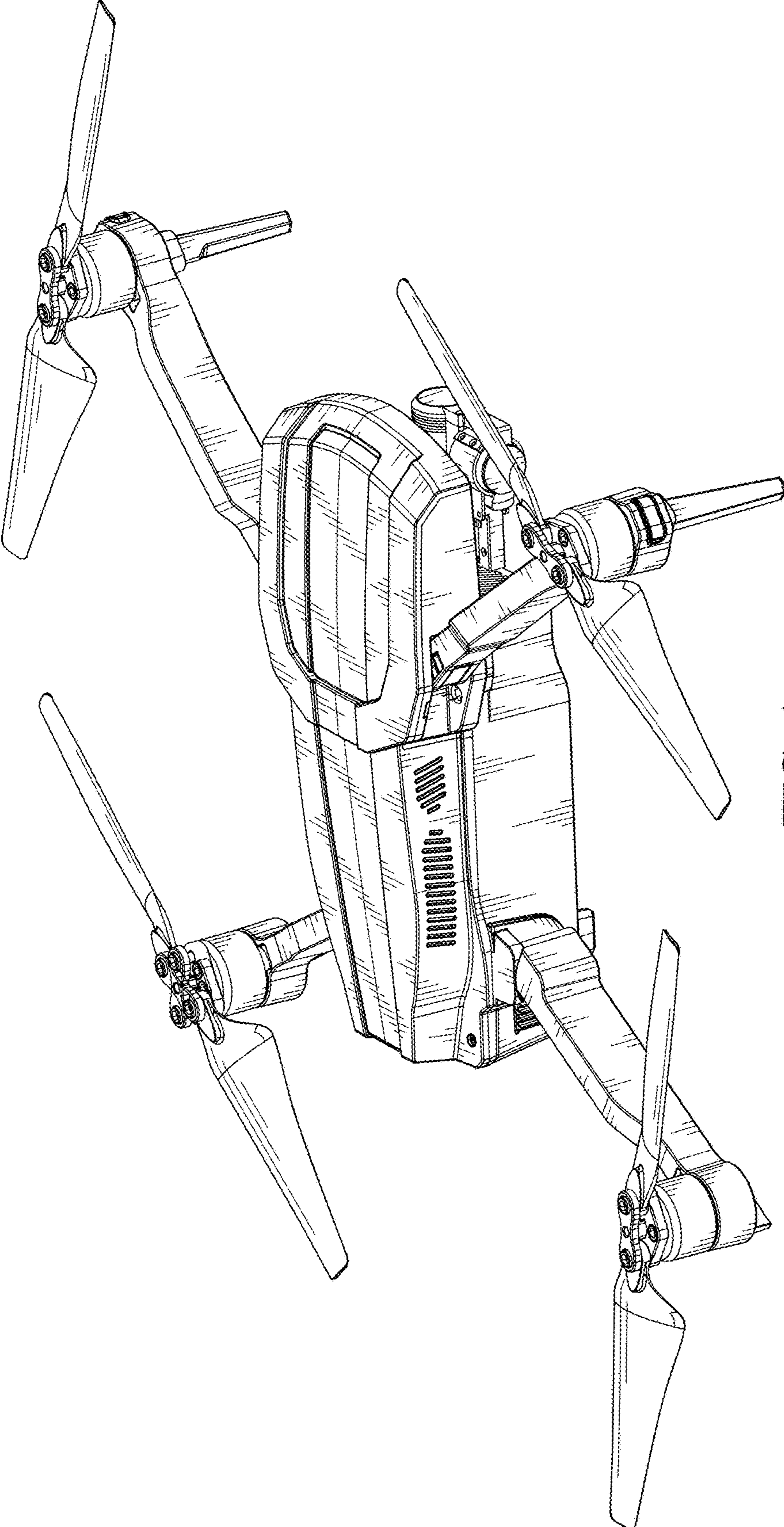


FIG. 1

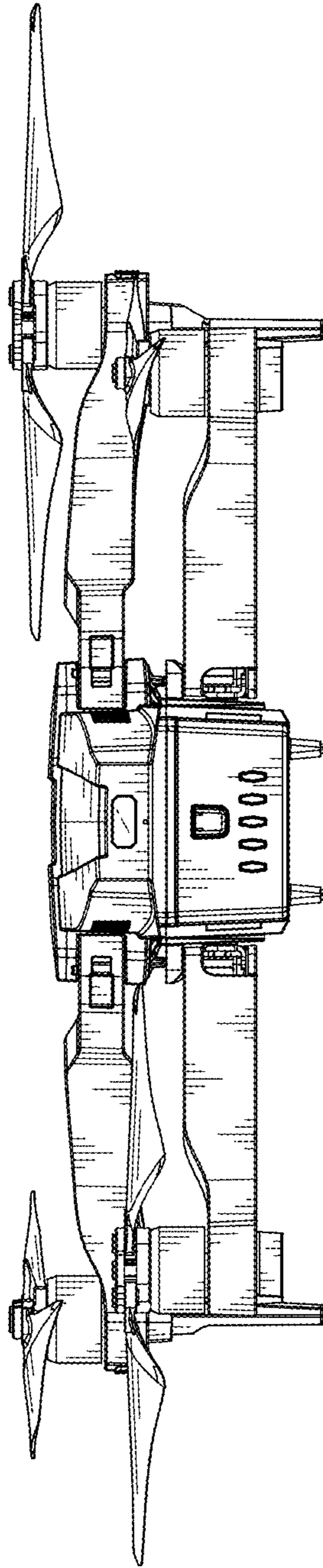


FIG. 2

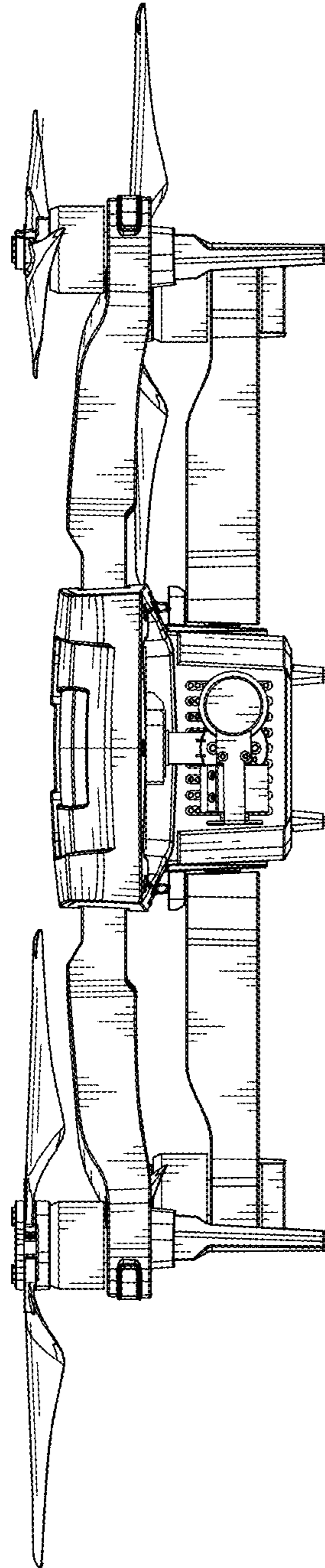


FIG. 3

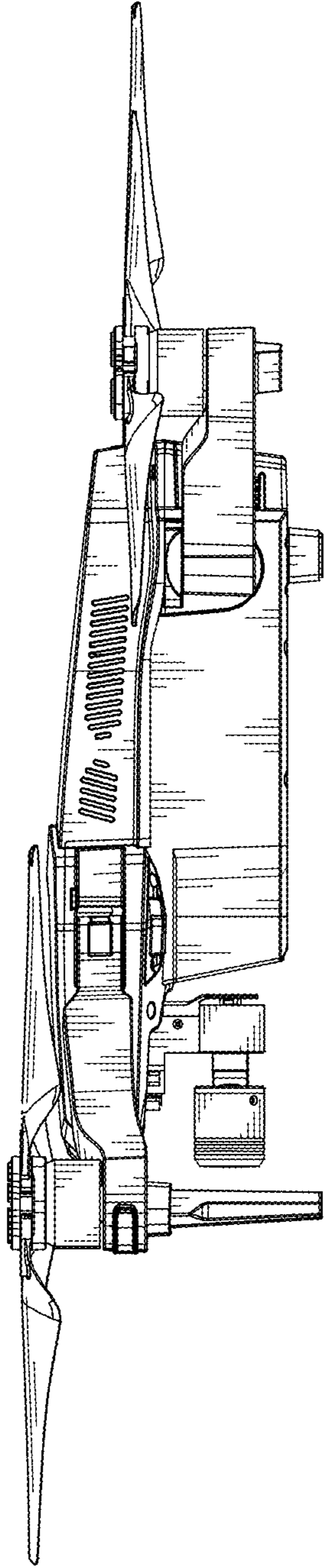


FIG. 4

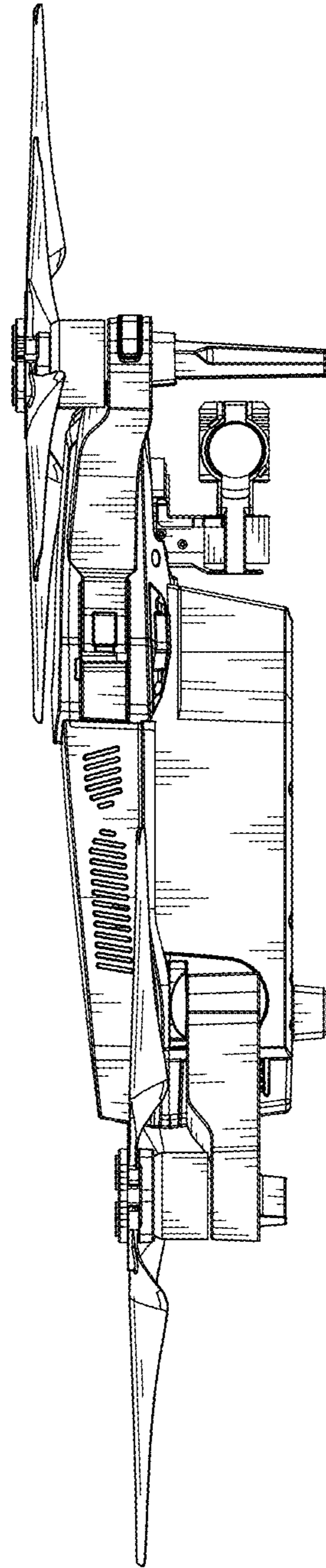


FIG. 5

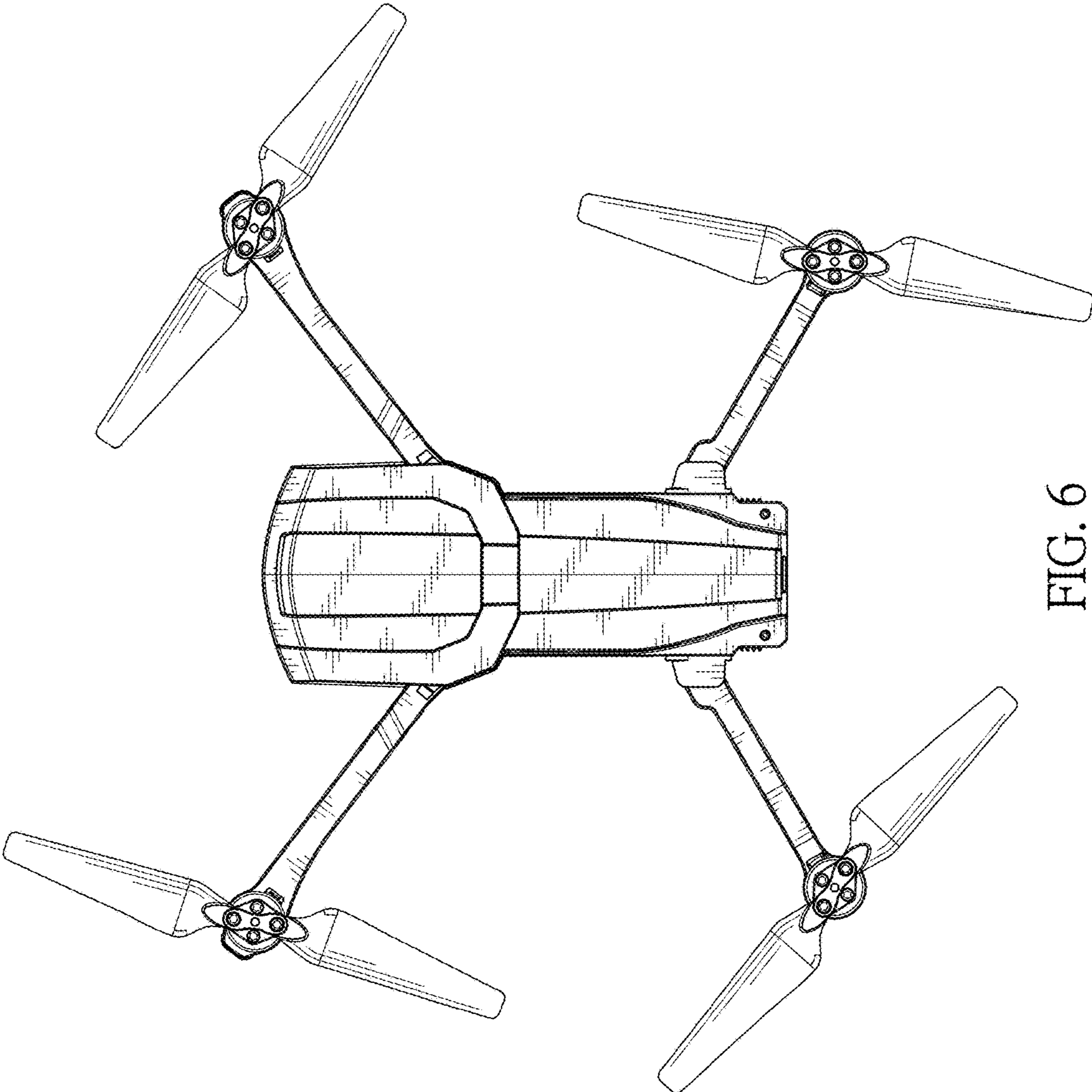


FIG. 6



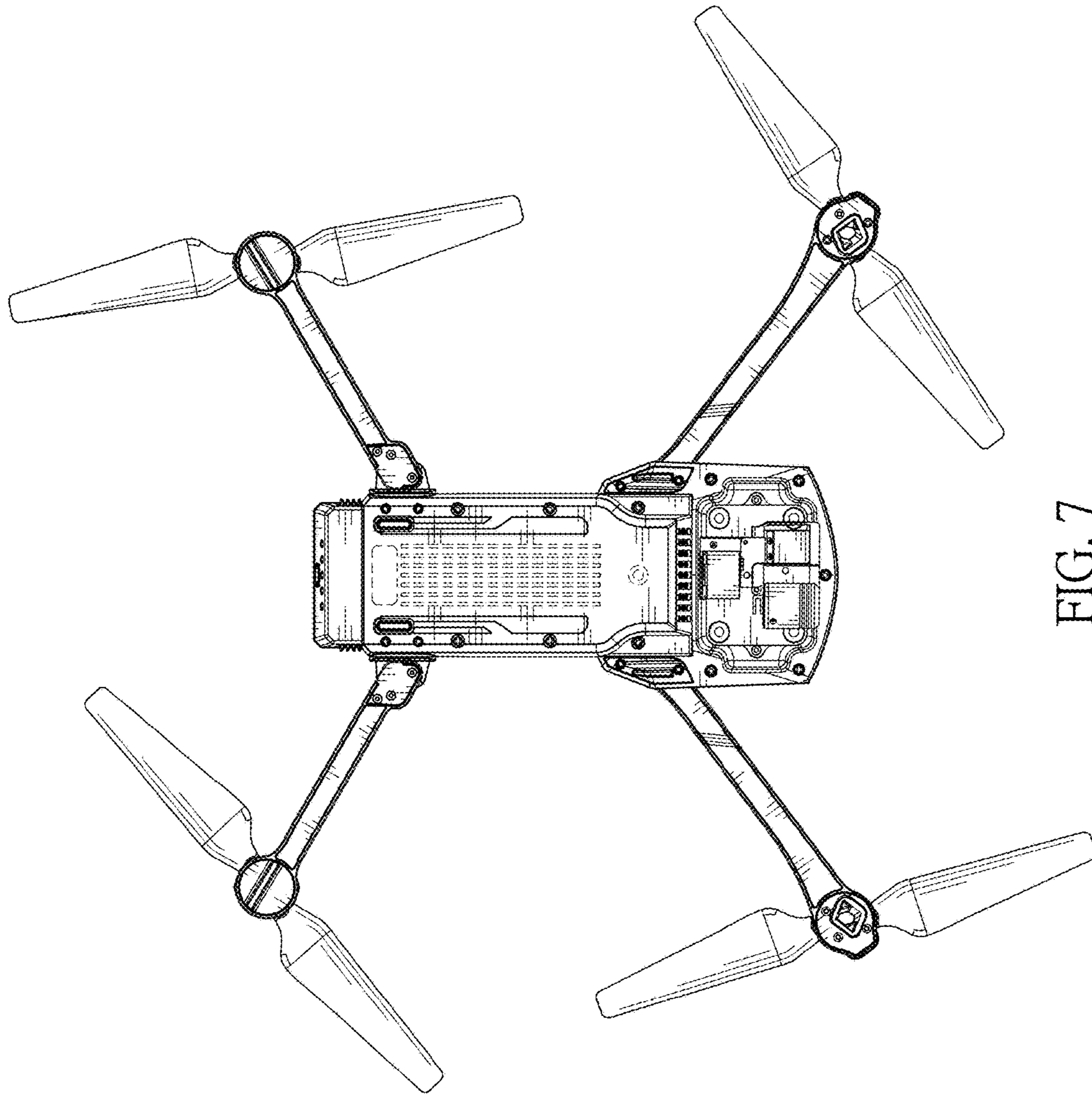


FIG. 7

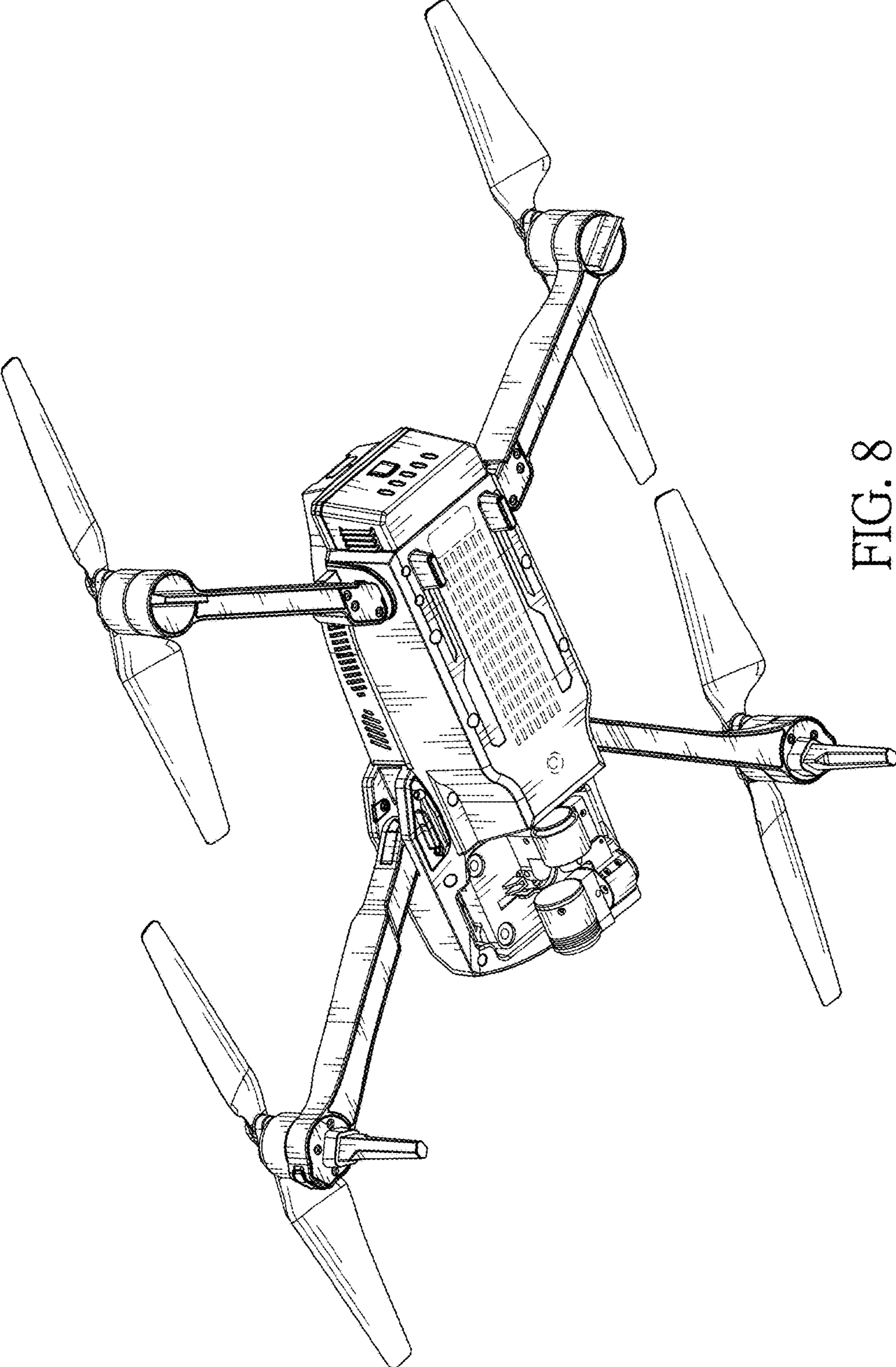


FIG. 8

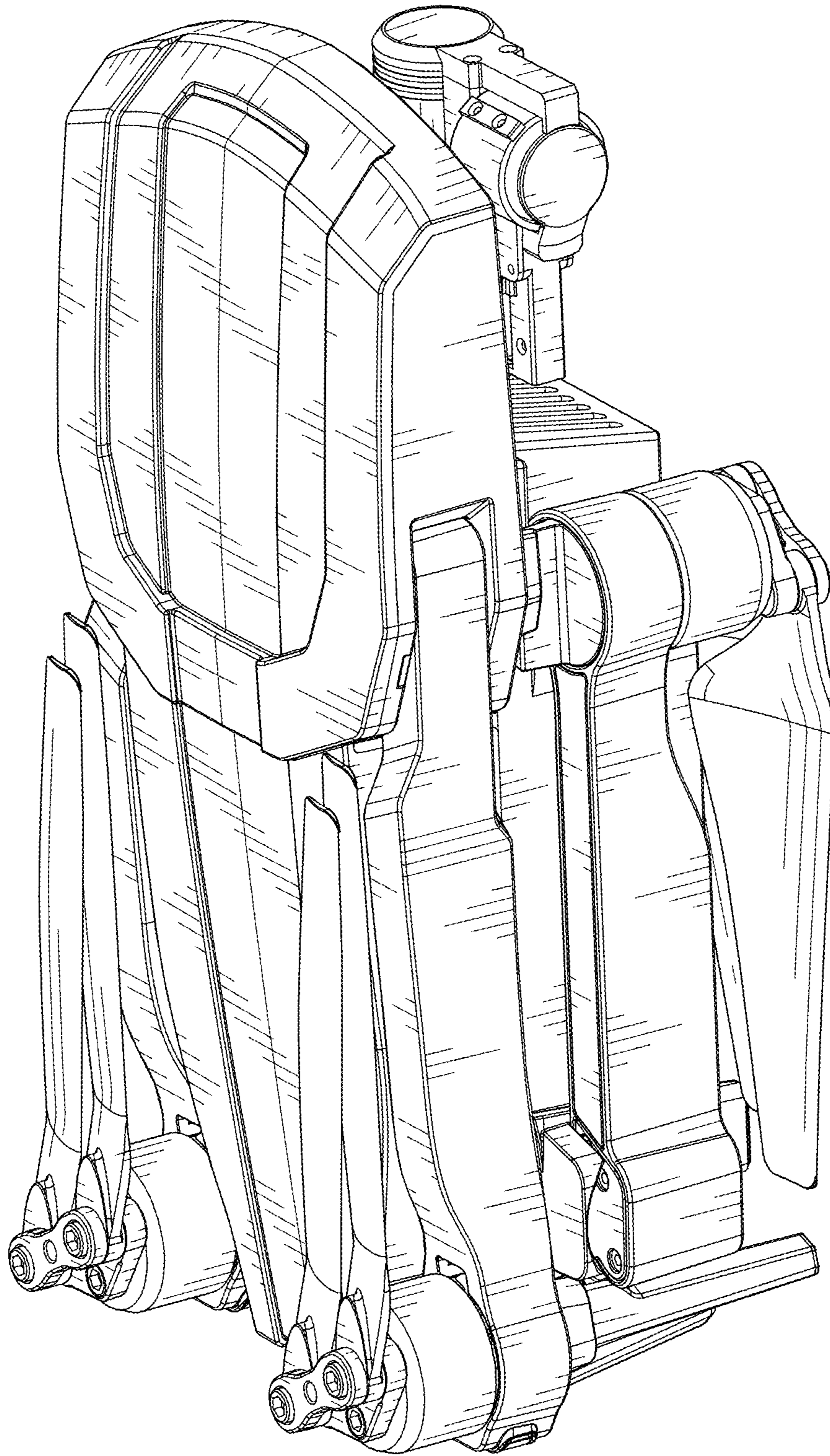


FIG. 9

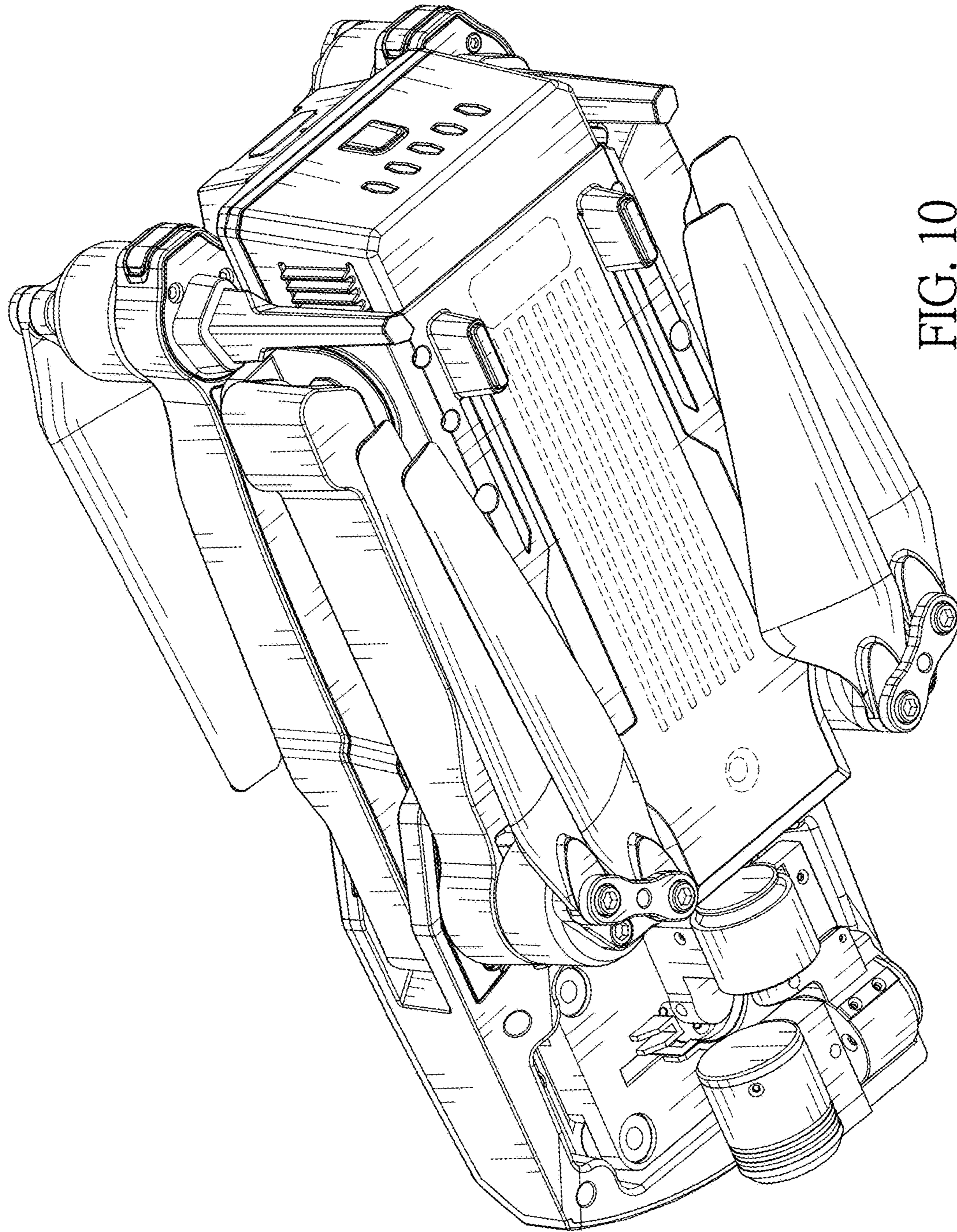


FIG. 10