



US00D813723S

(12) **United States Design Patent**
Ahn et al.

(10) **Patent No.:** **US D813,723 S**
(45) **Date of Patent:** **** Mar. 27, 2018**

(54) **DRONE**
(71) Applicant: **Samsung Electronics Co., Ltd.**,
Suwon-si (KR)
(72) Inventors: **Daekyung Ahn**, Namyangju-si (KR);
Yongseok Bang, Yongon-si (KR);
Kwanhee Lee, Seoul (KR)
(73) Assignee: **SAMSUNG ELECTRONICS CO.,**
LTD., Gyeonggi-Do (KR)

D763,134 S * 8/2016 Wang D12/16.1
D768,539 S * 10/2016 Lee D12/16.1
D768,540 S * 10/2016 Ji D12/16.1
D768,789 S * 10/2016 Fargeau D12/16.1
D770,940 S * 11/2016 Taylor D12/16.1
D772,991 S * 11/2016 Caubel D12/16.1
D777,263 S * 1/2017 Lavagen D12/16.1
D779,595 S * 2/2017 Xiao D12/16.1
D782,365 S * 3/2017 Hung D12/16.1
D784,201 S * 4/2017 Goldy D12/16.1

(Continued)

(**) Term: **15 Years**
(21) Appl. No.: **29/591,685**
(22) Filed: **Jan. 23, 2017**

FOREIGN PATENT DOCUMENTS

EM 3011868370001 1/2010
EM 3024387050001 4/2014

Primary Examiner — Robert M. Spear
Assistant Examiner — Marissa J Cash
(74) *Attorney, Agent, or Firm* — Cantor Colburn LLP

(30) **Foreign Application Priority Data**

Aug. 5, 2016 (KR) 30-2016-0038395

(51) **LOC (11) Cl.** **12-07**

(52) **U.S. Cl.**
USPC **D12/16.1**

(58) **Field of Classification Search**
USPC D12/3, 16.1, 319–345; D21/436–455
CPC B64C 39/024; B64C 2201/108
See application file for complete search history.

(57) **CLAIM**

The ornamental design for a drone, as shown and described.

(56) **References Cited**

U.S. PATENT DOCUMENTS

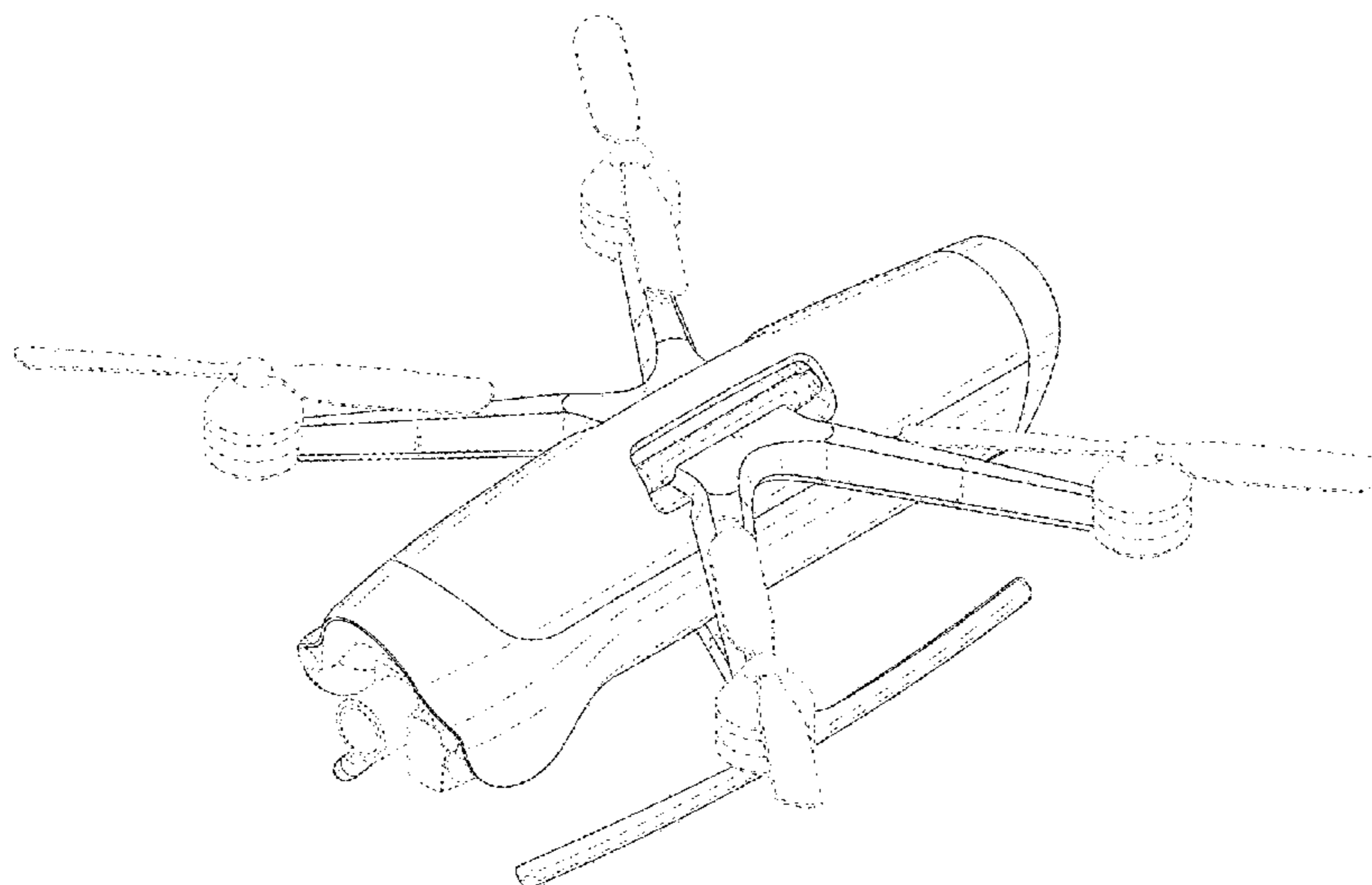
D197,038 S * 12/1963 Howard, Jr. et al. D12/329
D322,241 S * 12/1991 Wolfe D12/319
D326,082 S * 5/1992 Finlay D12/345
D458,892 S * 6/2002 DeTore D12/319
D648,808 S * 11/2011 Seydoux D21/441
D670,638 S * 11/2012 Goelet D12/319
D692,797 S * 11/2013 Ohnishi D12/16.1
D710,452 S 8/2014 Barajas et al.
D710,454 S * 8/2014 Barajas D12/16.1
D741,779 S * 10/2015 Hsiao D12/16.1

DESCRIPTION

FIG. 1 is the front perspective view of a drone showing our new design;
FIG. 2 is the front view thereof;
FIG. 3 is the rear view thereof;
FIG. 4 is the left-side view thereof;
FIG. 5 is the right-side view thereof;
FIG. 6 is the top view thereof;
FIG. 7 is the bottom view thereof; and,
FIG. 8 is the front perspective view thereof, as shown in an alternate configuration.

In the drawings, the claimed design is defined by the shaded surfaces; broken lines immediately adjacent shaded surfaces represent boundaries of the claim and form no part thereof; all other broken lines depict unclaimed environmental subject matter and form no part of the claim.

1 Claim, 8 Drawing Sheets



(56)

References Cited

U.S. PATENT DOCUMENTS

D784,202	S *	4/2017	Park	D12/16.1
D784,854	S *	4/2017	Huang	D12/16.1
D785,541	S *	5/2017	Du	D12/328
D793,482	S *	8/2017	Wang	D12/16.1
D793,486	S *	8/2017	Lee	D21/453
D795,741	S *	8/2017	Li	D12/16.1
D795,784	S *	8/2017	Guo	D12/328
D795,967	S *	8/2017	Haley	D12/16.1
D797,602	S *	9/2017	Li	D12/16.1
D798,961	S *	10/2017	Li	D12/16.1
D800,016	S *	10/2017	Huang	D12/16.1
2015/0129711	A1 *	5/2015	Caubel	B64C 27/08 244/17.23
2017/0144751	A1 *	5/2017	Yu	B64C 27/001
2017/0247113	A1 *	8/2017	Sanlerville	B64C 27/08
2017/0269609	A1 *	9/2017	Bradlow	G05D 1/102
2017/0274983	A1 *	9/2017	Beckman	B64C 11/48
2017/0283050	A1 *	10/2017	Baek	B64C 27/50

* cited by examiner

FIG. 1

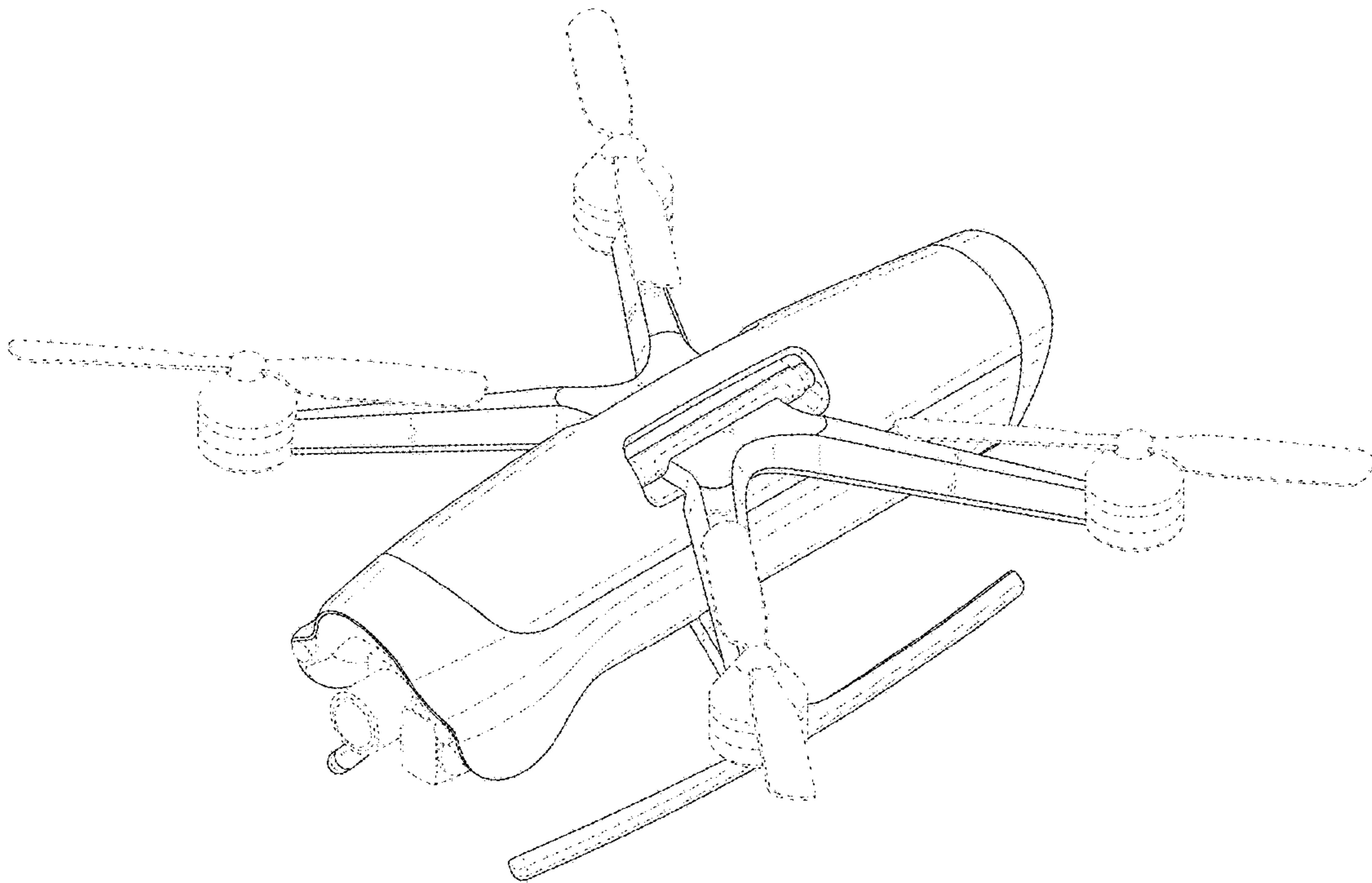


FIG. 2

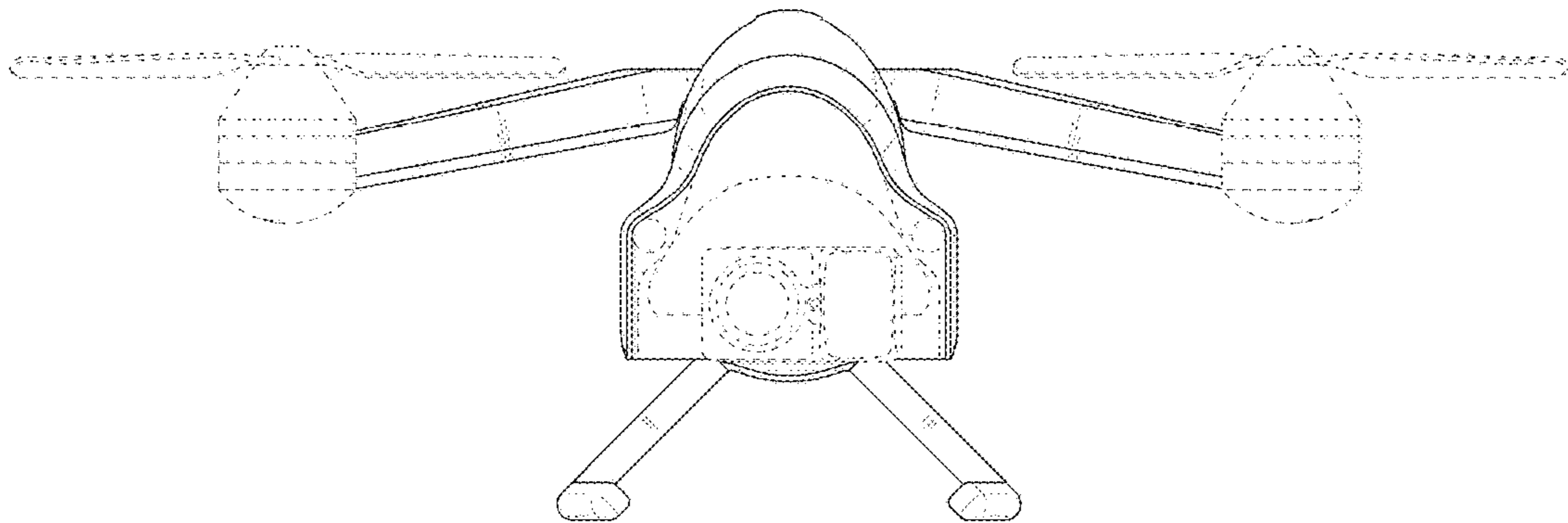


FIG. 3

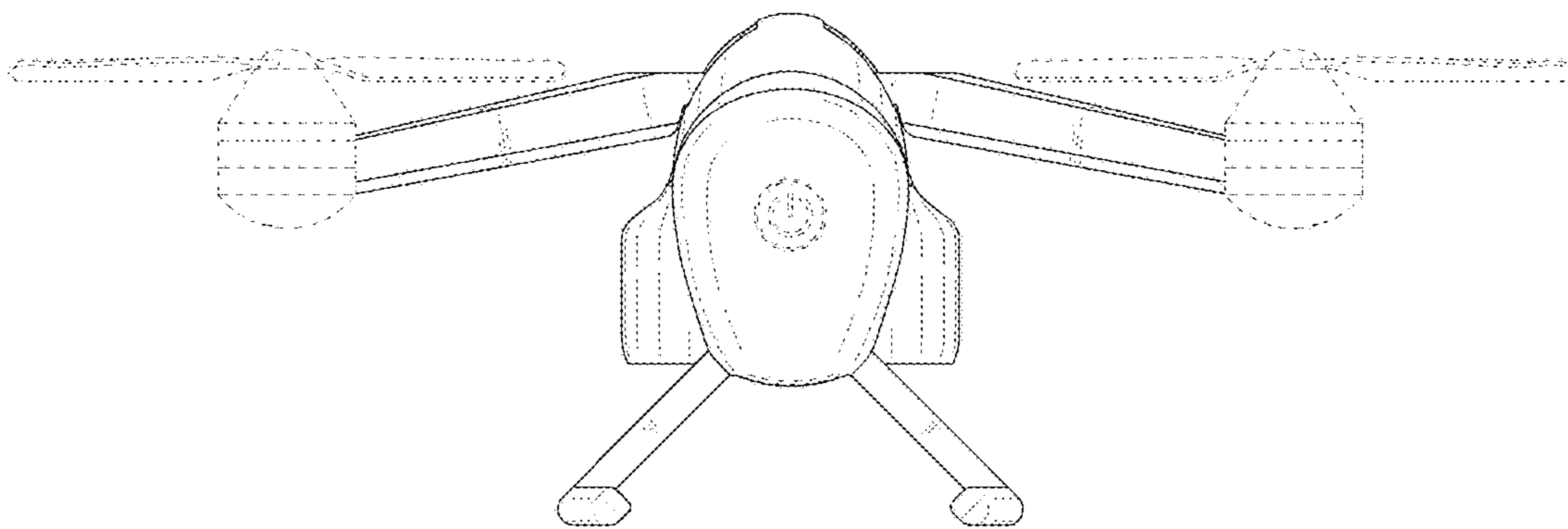


FIG. 4

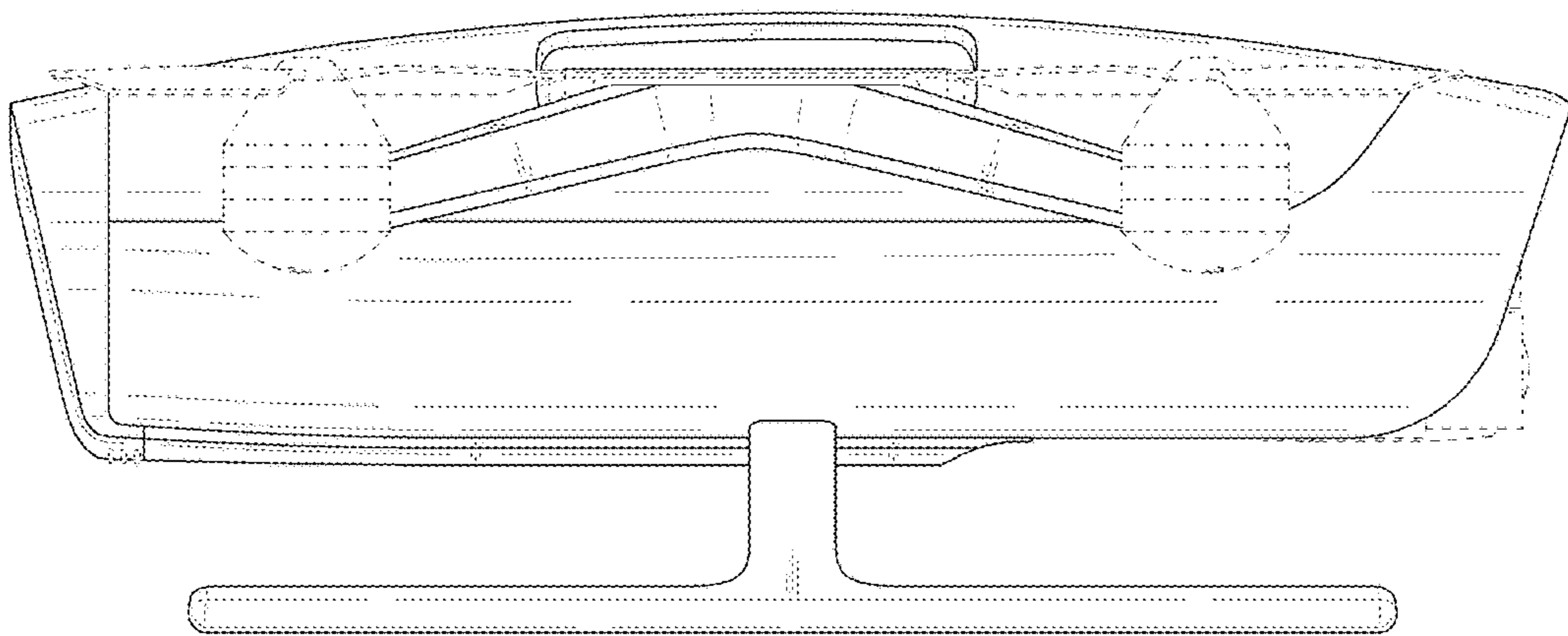


FIG. 5

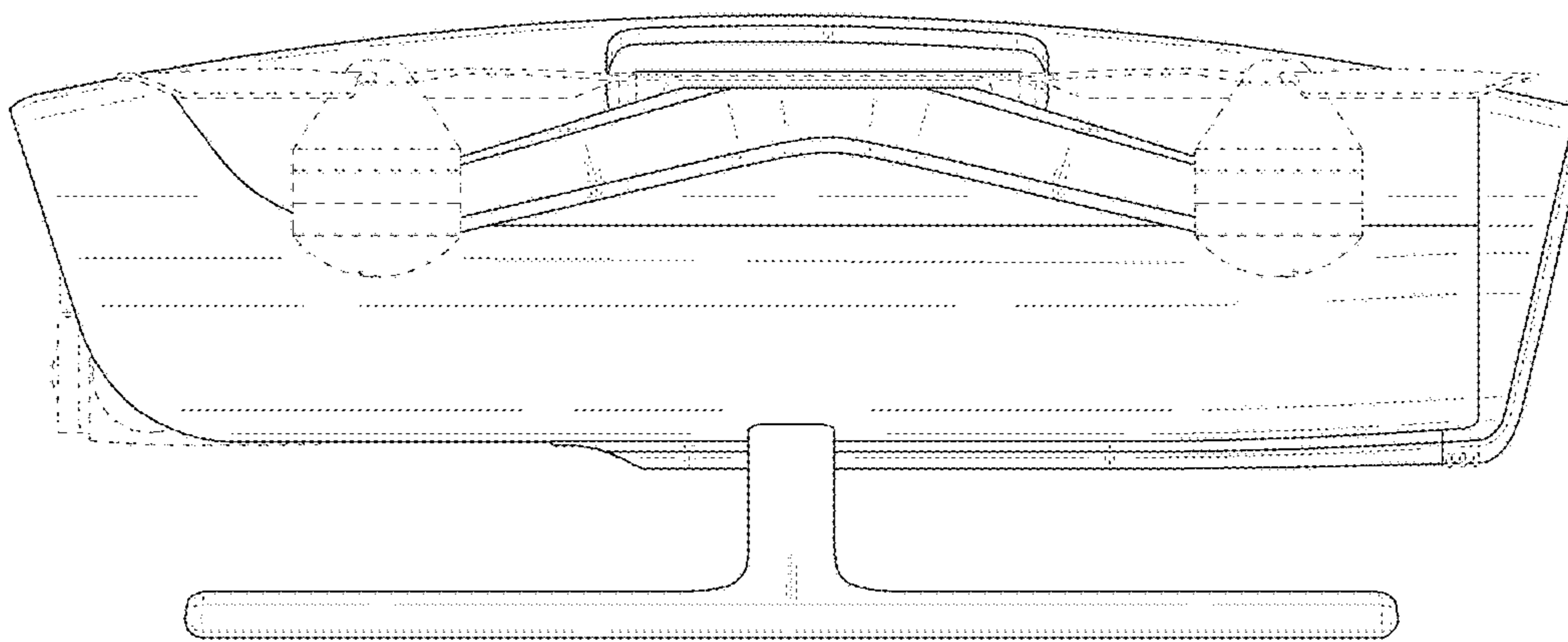


FIG. 6

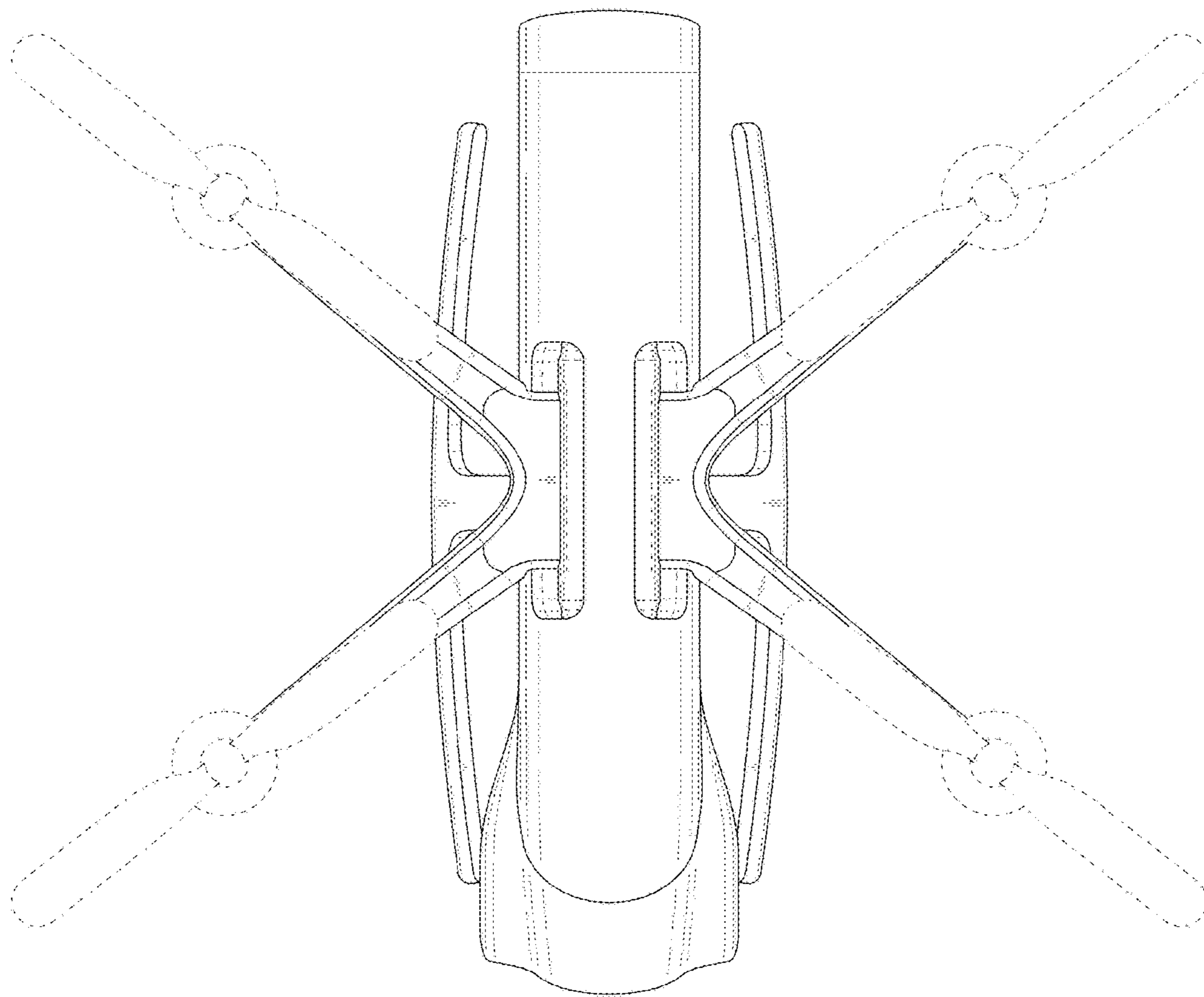


FIG. 7

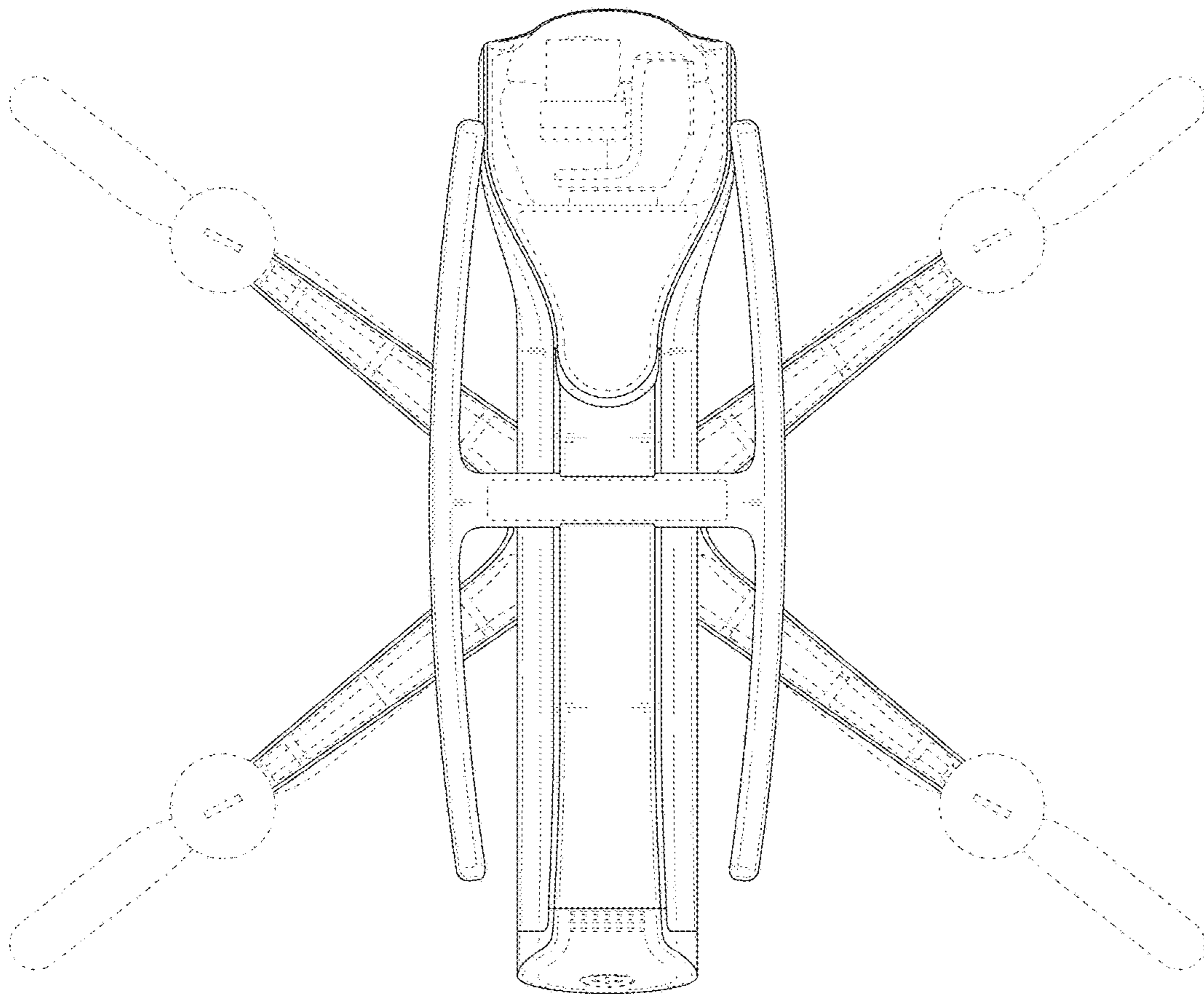


FIG. 8

