



US00D813721S

(12) **United States Design Patent**
Krupa

(10) **Patent No.:** **US D813,721 S**
(45) **Date of Patent:** **** Mar. 27, 2018**

(54) **HOOK AND EYE CLOSURE EXTENDER
FOR A BRASSIERE**

(71) Applicant: **Victoria's Secret Stores Brand
Management, Inc.**, Reynoldsburg, OH
(US)

(72) Inventor: **Jessica Krupa**, Union City, NJ (US)

(73) Assignee: **Victoria's Secret Stores Brand
Management, Inc.**, Reynoldsburg, OH
(US)

(**) Term: **15 Years**

(21) Appl. No.: **29/598,964**

(22) Filed: **Mar. 30, 2017**

(51) **LOC (11) Cl.** **02-07**

(52) **U.S. Cl.**
USPC **D11/208**

(58) **Field of Classification Search**
USPC D11/1-2, 200-201, 206-210, 214-218;
D2/700, 706-711, 731, 999

(Continued)

(56) **References Cited**

U.S. PATENT DOCUMENTS

3,315,277 A 4/1967 Ruiz
D244,428 S * 5/1977 Gardner D9/700
(Continued)

FOREIGN PATENT DOCUMENTS

WO 2014174332 A1 10/2014

Primary Examiner — Sheryl Lane

Assistant Examiner — Jennifer M Campbell

(74) *Attorney, Agent, or Firm* — Andrus Intellectual
Property Law, LLP

(57) **CLAIM**

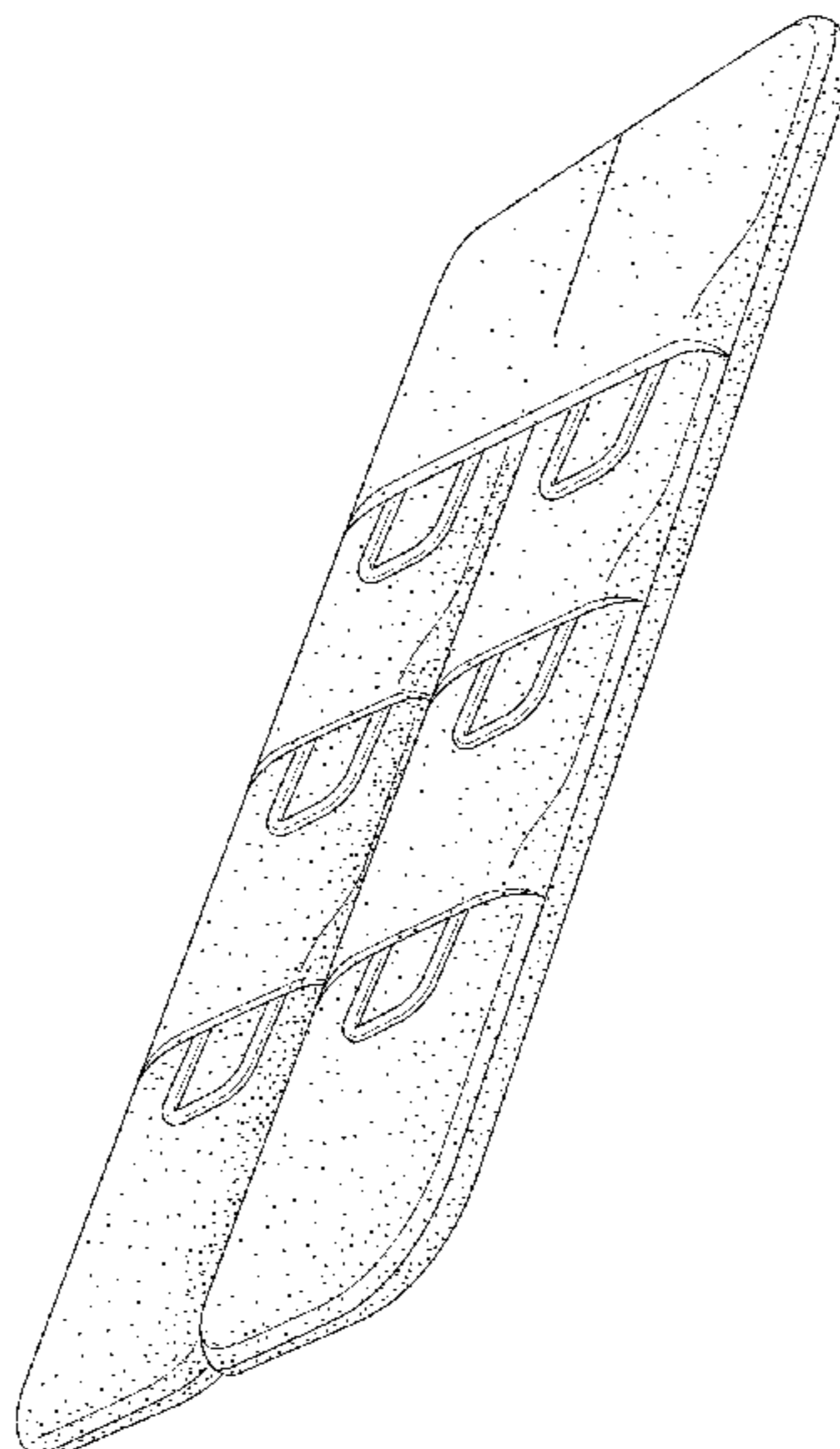
The ornamental design for a hook and eye closure extender for a brassiere, as shown and described.

DESCRIPTION

FIG. 1 is a front perspective view of a first embodiment of a hook and eye closure extender for a brassiere according to my new and ornamental design;
FIG. 2 is a front view thereof;
FIG. 3 is a rear view thereof;
FIG. 4 is a left side view thereof;
FIG. 5 is a right side view thereof;
FIG. 6 is a top view thereof;
FIG. 7 is a bottom view thereof;
FIG. 8 is a rear perspective view thereof;
FIG. 9 shows the first embodiment of the hook and eye closure extender for a brassiere in an alternative position and in use on a brassiere;
FIG. 10 is a front perspective view of a second embodiment of a hook and eye closure extender for a brassiere according to my new and ornamental design;
FIG. 11 is a front view thereof;
FIG. 12 is a rear view thereof;
FIG. 13 is a left side view thereof;
FIG. 14 is a right side view thereof;
FIG. 15 is a rear perspective view thereof; and,
FIG. 16 shows the second embodiment of the hook and eye closure extender for a brassiere in an alternative position and in use on a brassiere.

The broken line showing of a person's back and a brassiere in FIGS. 9 and 16 depicts environmental subject matter; the broken lines form no part of the claim. The evenly dashed broken lines in FIGS. 10-16 show portions of the second embodiment of the hook and eye closure extender for a brassiere that form no part of the claim; the dash-dot broken lines between the solid line portions and the broken line portions of the second embodiment of the hook and eye closure extender for a brassiere show the boundaries of the claimed design and form no part of the claim.

1 Claim, 13 Drawing Sheets



(58) **Field of Classification Search**

CPC A41C 3/06; A41C 3/10; A41C 3/12; A41C
 3/0014; A41C 3/065; A41C 3/122; A41C
 3/144; A41C 3/0085; A41C 5/00; A41C
 1/00; A41C 1/003; A41C 1/006; A41C
 1/08; A61F 5/03

See application file for complete search history.

(56) **References Cited**

U.S. PATENT DOCUMENTS

D250,299	S *	11/1978	Rowell	D11/208
D254,939	S *	5/1980	Lober	D11/208
D274,862	S *	7/1984	Fildan	D11/208
D412,462	S *	8/1999	Fildan	D11/208
6,520,832	B2 *	2/2003	Devita	A41F 1/006 2/251
6,875,075	B2 *	4/2005	Rossi	A41F 1/006 24/697.1
D509,459	S *	9/2005	Pontaoe	D11/208
D525,168	S *	7/2006	Pontaoe	D11/208
D530,648	S	10/2006	Utaka		
D536,639	S *	2/2007	Fildan	D11/212
D560,877	S	2/2008	Utaka		
D566,612	S *	4/2008	Gut	D11/90
D567,142	S *	4/2008	Gut	D11/208
D571,254	S *	6/2008	Wanzenbock	D11/212
7,618,305	B2	11/2009	Gut et al.		
7,722,433	B2	5/2010	Utaka		
D632,608	S *	2/2011	Corrado	D11/208
D632,609	S *	2/2011	Corrado	D11/208
D632,610	S *	2/2011	Corrado	D11/208
D737,722	S *	9/2015	Muhlenfeld	D11/208
D740,168	S	10/2015	Fildan et al.		
2004/0221434	A1 *	11/2004	Kaye	A41C 3/12 24/714.2

* cited by examiner

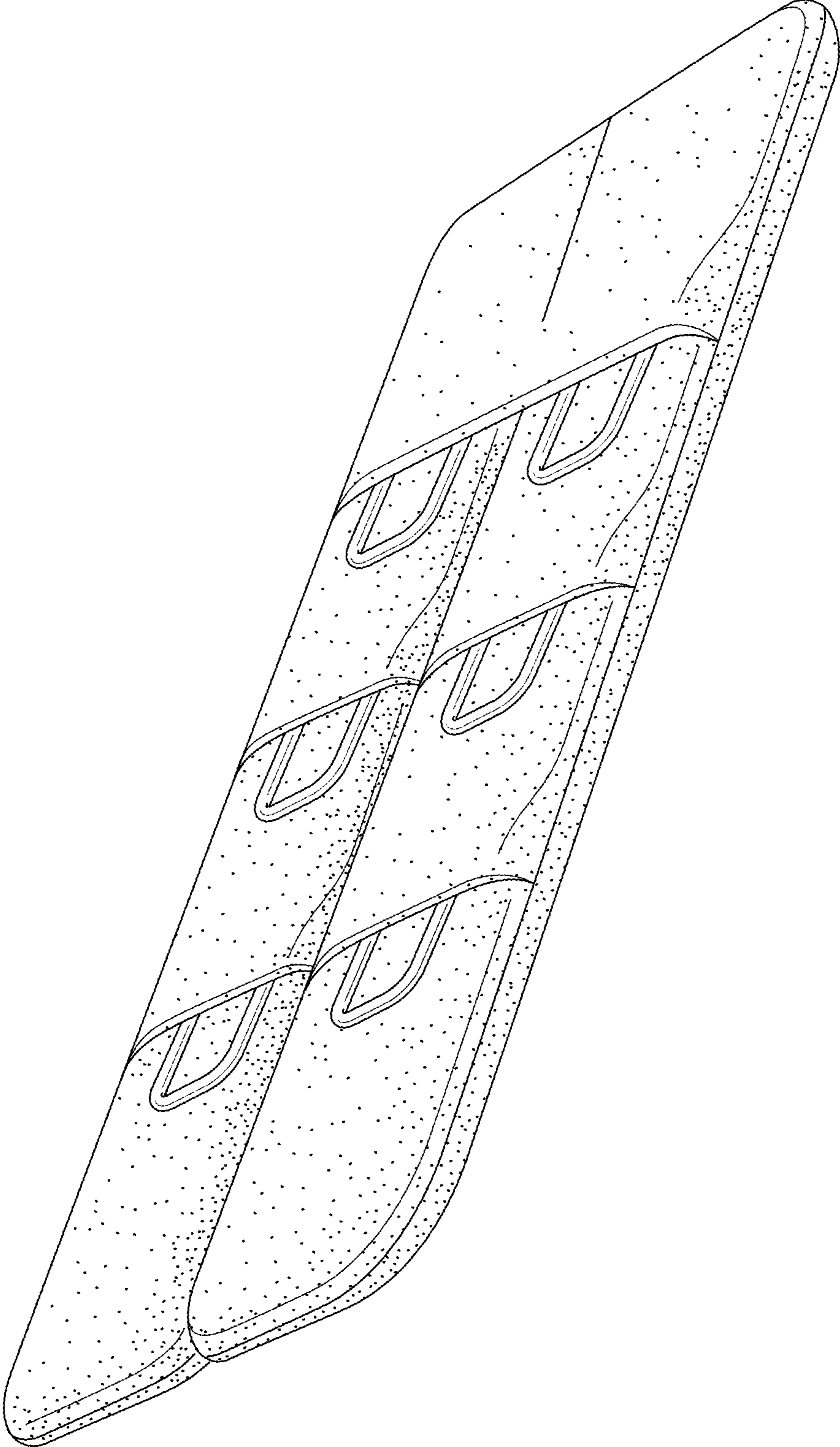


FIG. 1

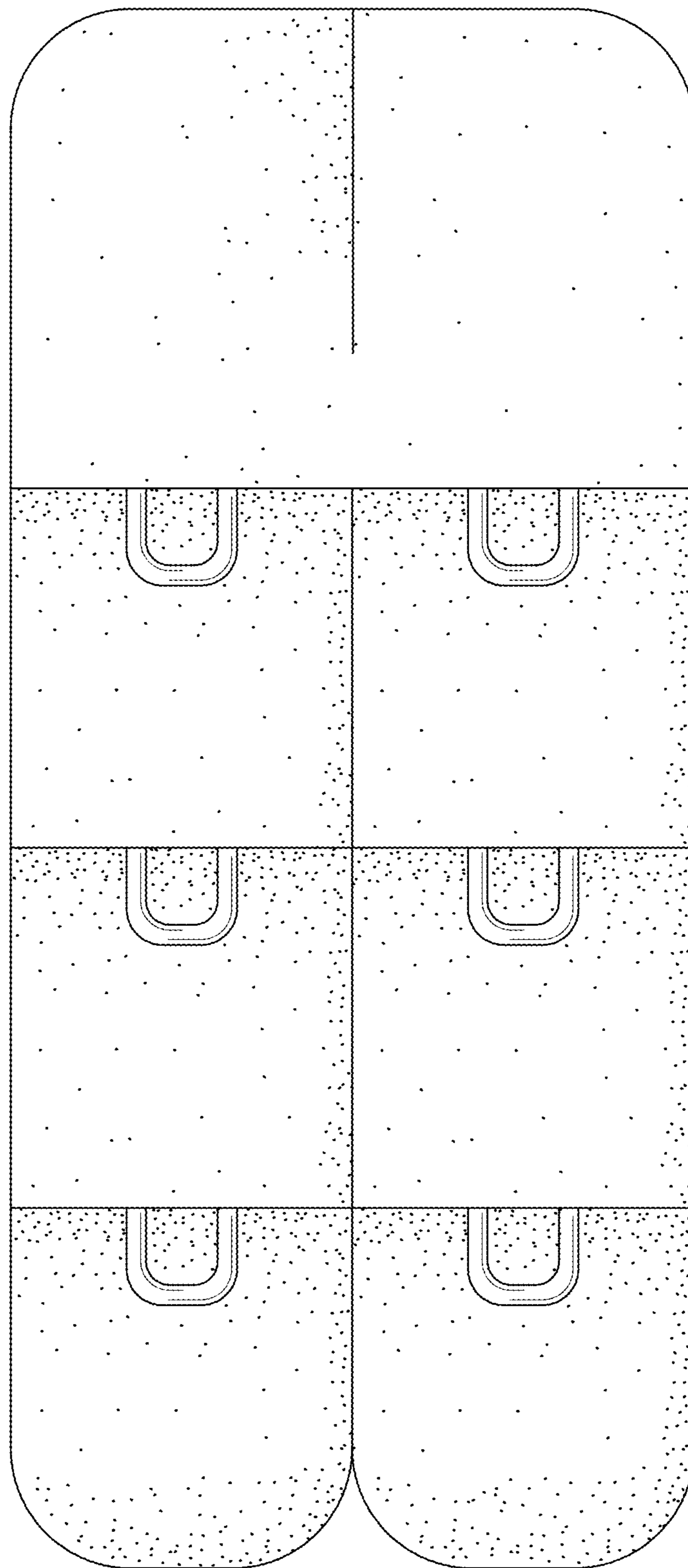


FIG. 2

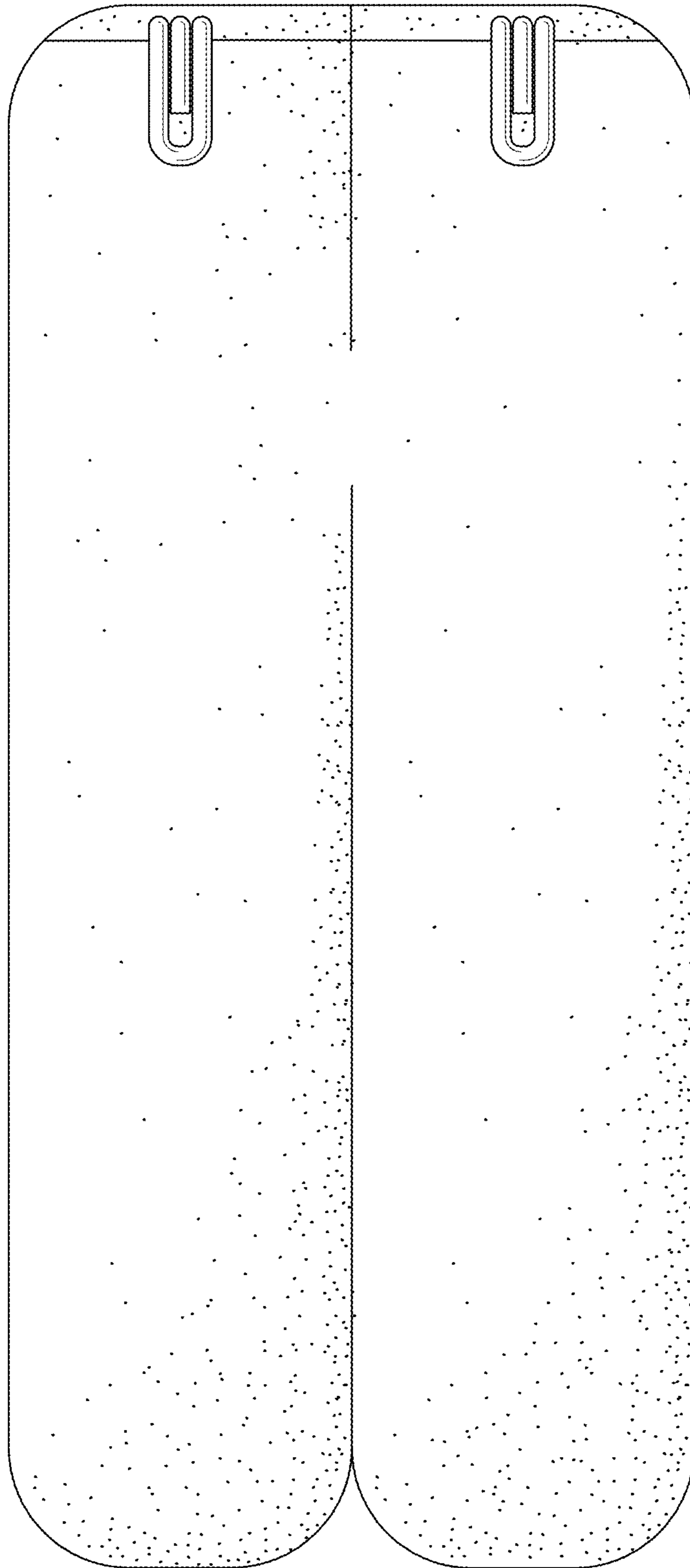


FIG. 3

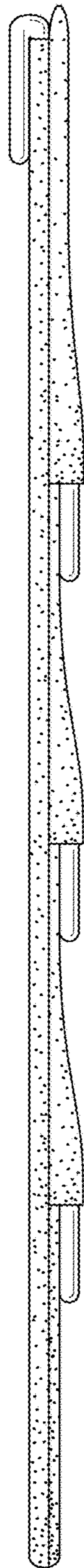


FIG. 4

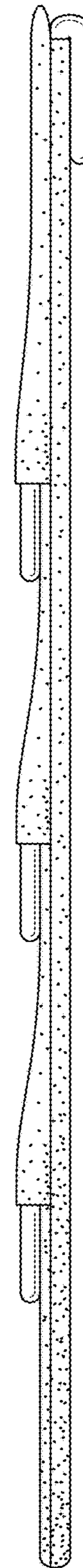


FIG. 5

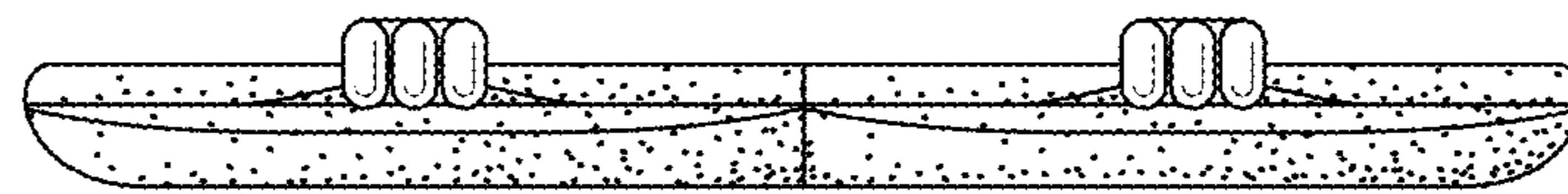


FIG. 6

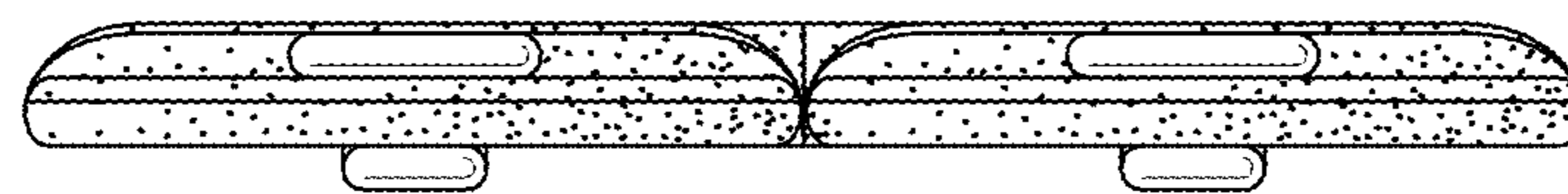


FIG. 7

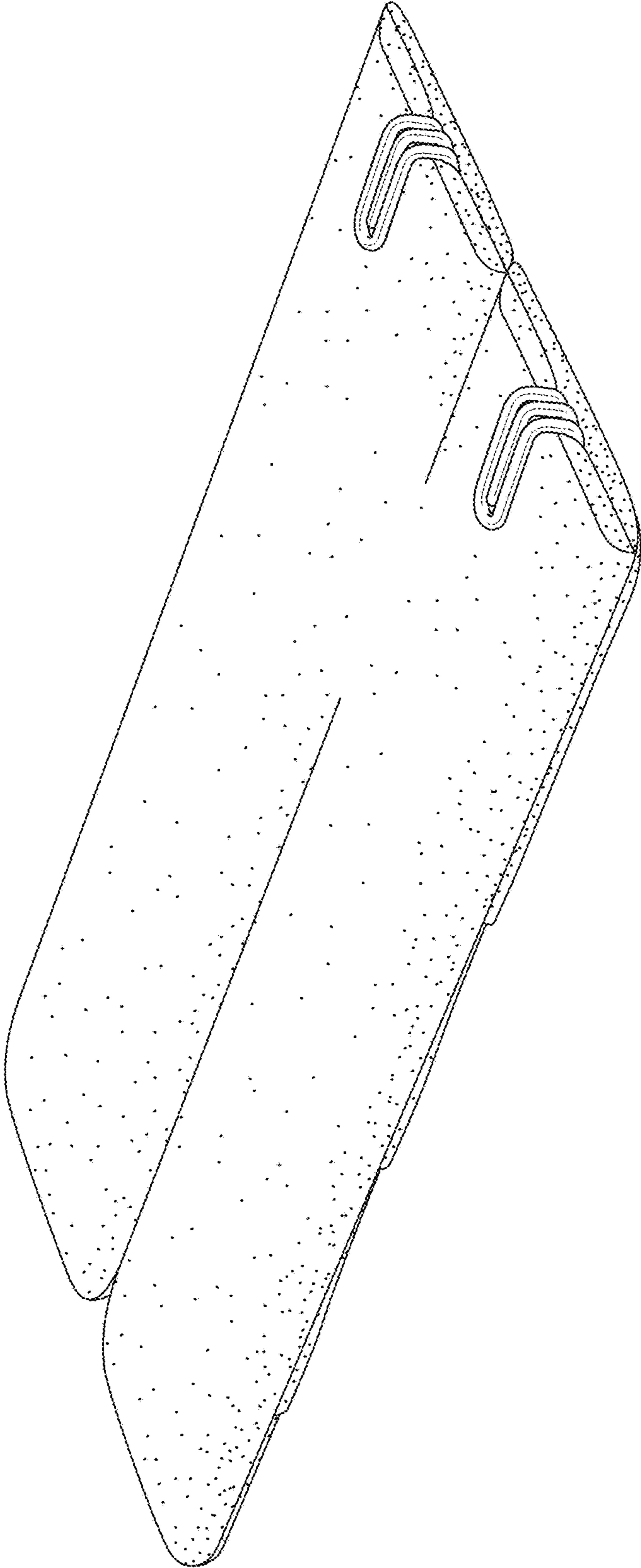


FIG. 8

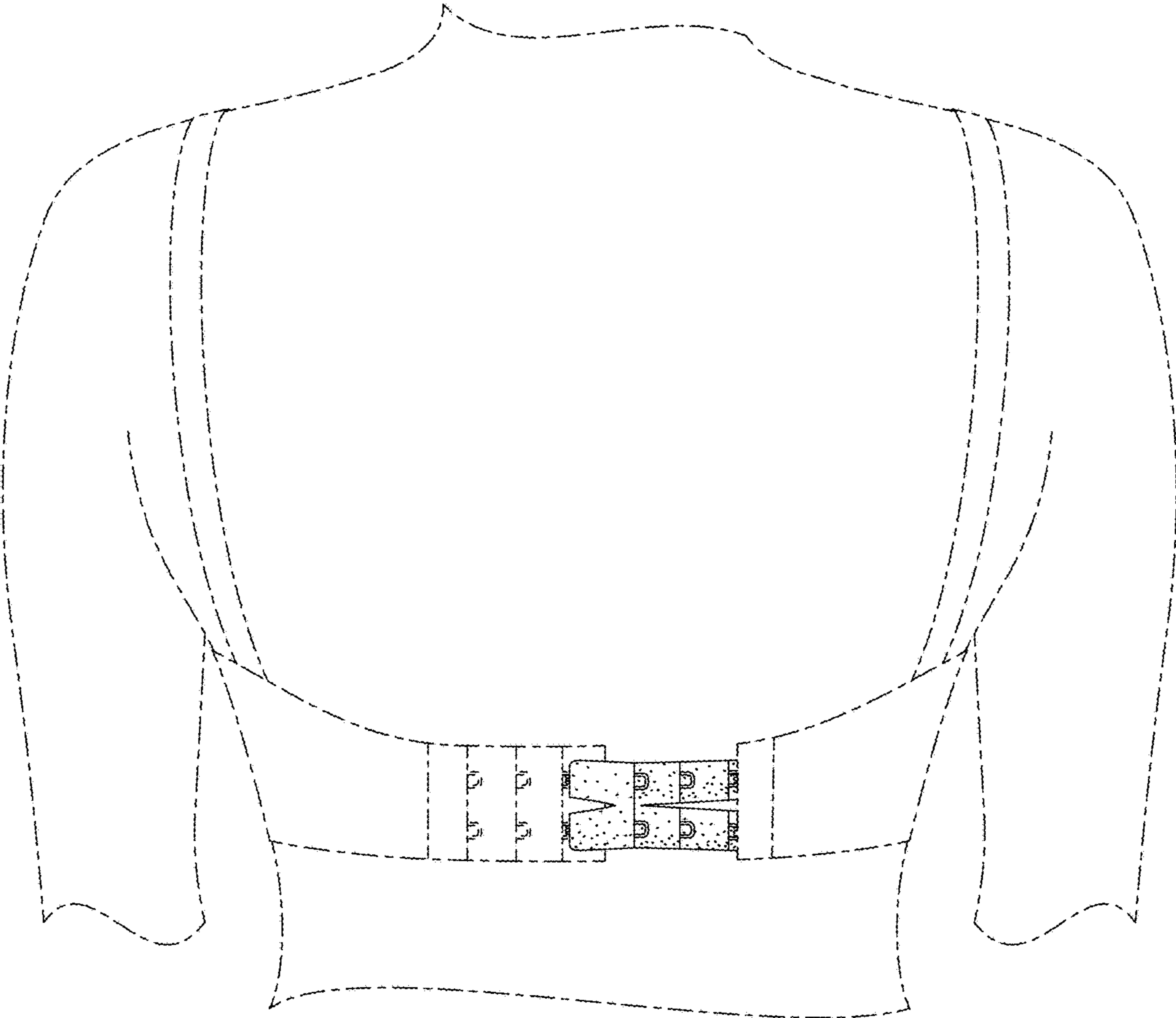


FIG. 9

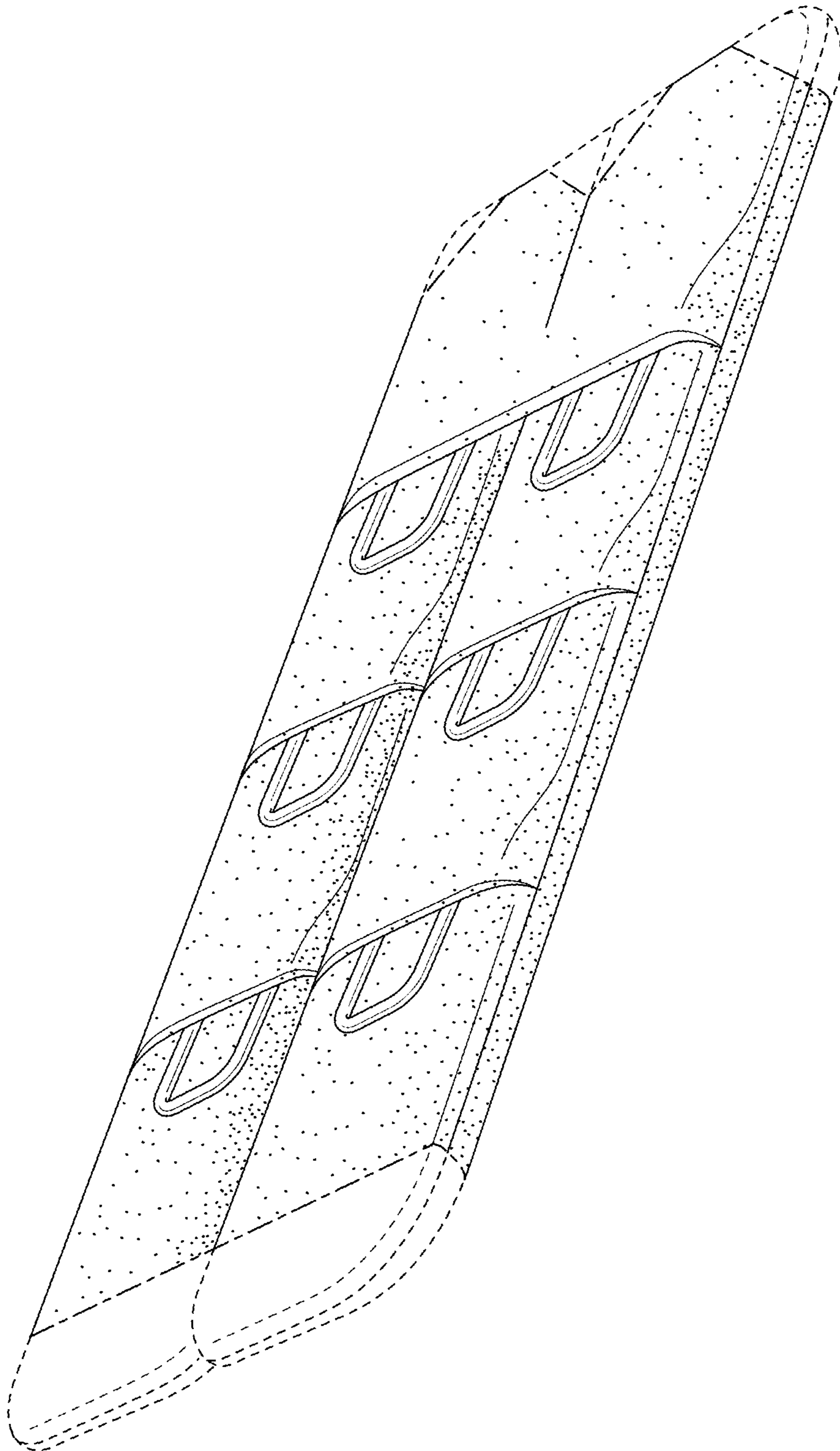


FIG. 10

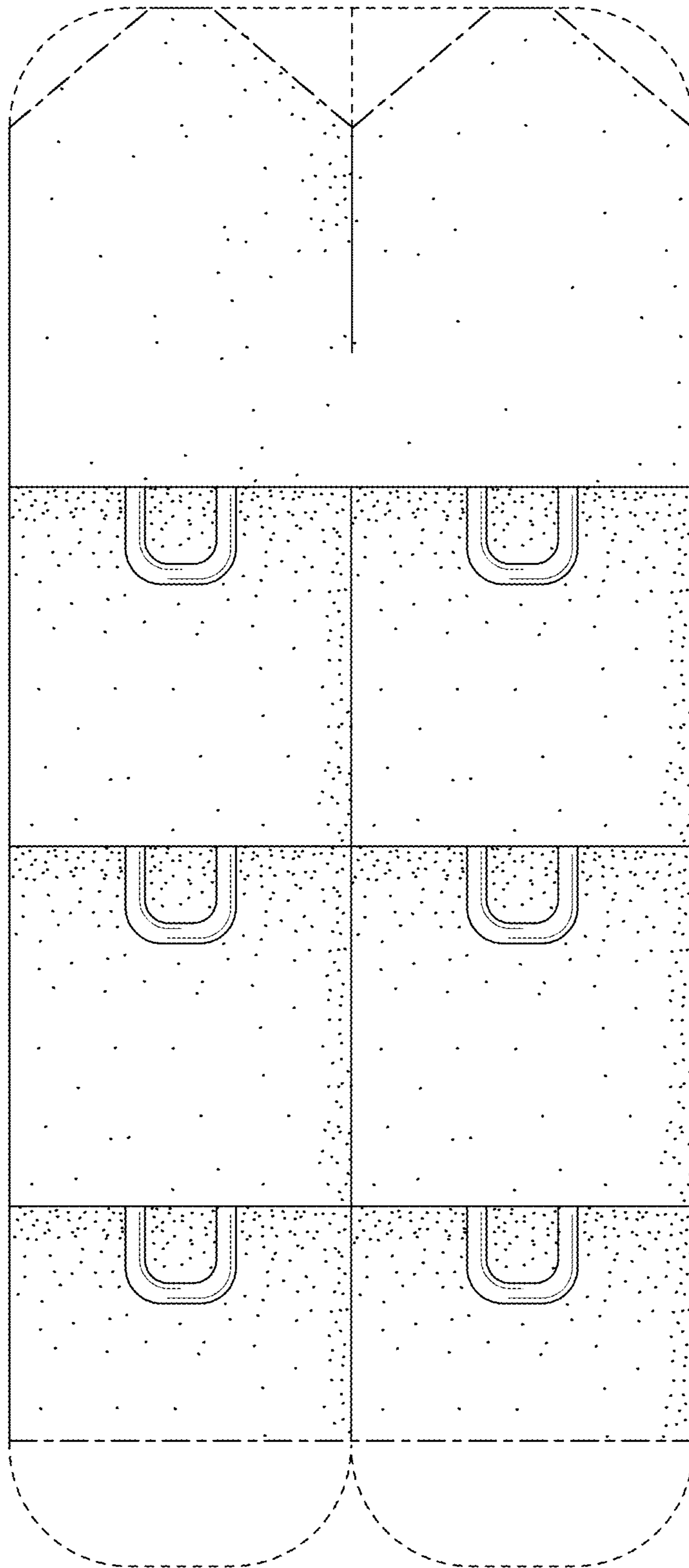


FIG. 11

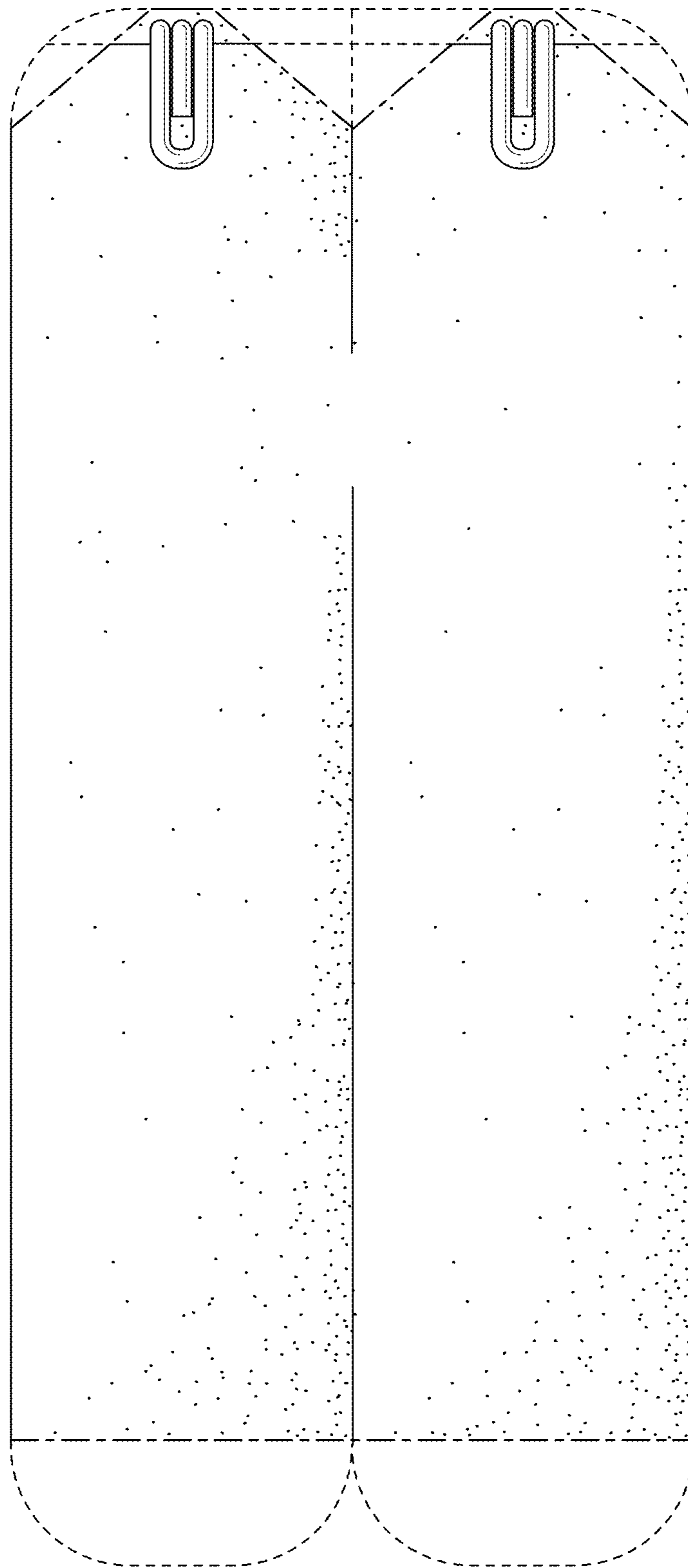


FIG. 12

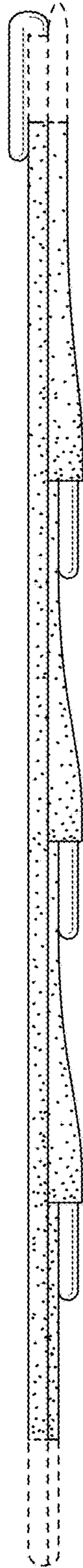


FIG. 13

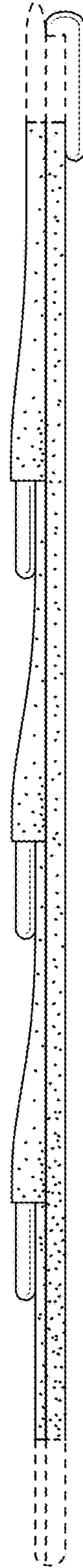


FIG. 14

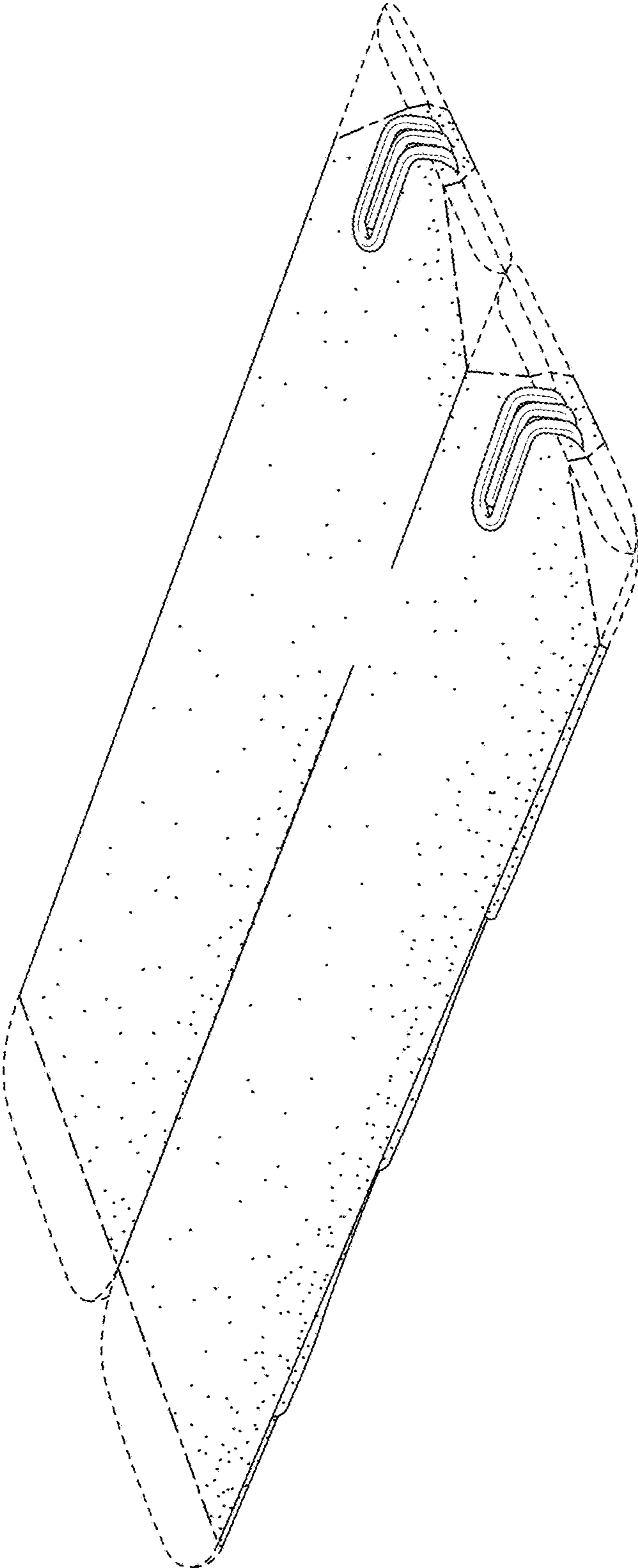


FIG. 15

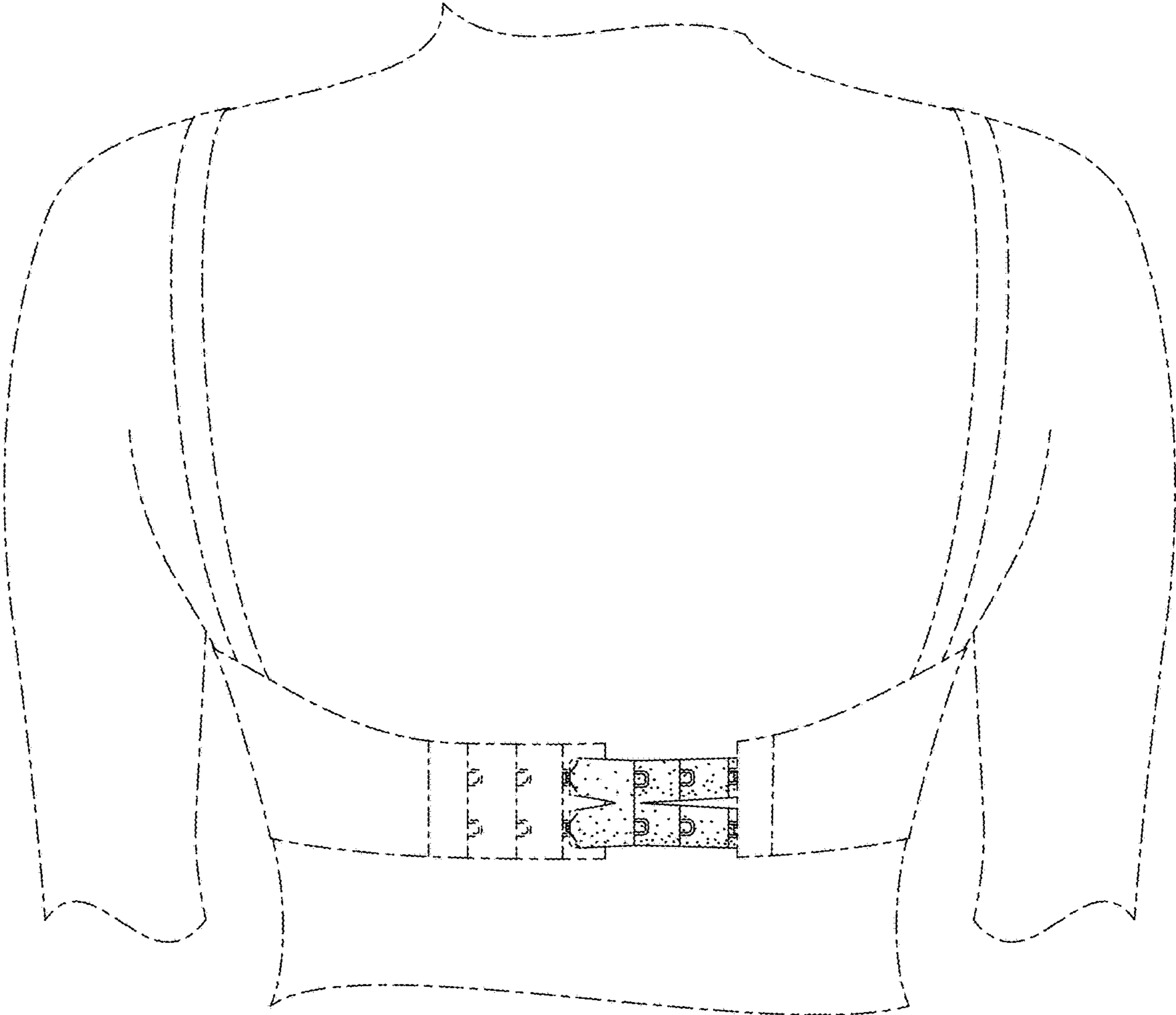


FIG. 16