



US00D813720S

(12) **United States Design Patent**
Fantauzzo

(10) **Patent No.:** **US D813,720 S**

(45) **Date of Patent:** **** *Mar. 27, 2018**

(54) **CLIP FOR CLOTHES**

(71) Applicant: **ICS INVESTMENTS S.A.R.L.**,
Luxembourg (LU)

(72) Inventor: **Lionel Fantauzzo**, Bereldange (LU)

(73) Assignee: **ICS INVESTMENTS S.A.R.L.**,
Luxembourg (LU)

(*) Notice: This patent is subject to a terminal disclaimer.

(**) Term: **15 Years**

(21) Appl. No.: **29/536,554**

(22) Filed: **Aug. 18, 2015**

(30) **Foreign Application Priority Data**

Feb. 18, 2015 (EM) DM/085 646

(51) **LOC (11) Cl.** **02-07**

(52) **U.S. Cl.**
USPC **D11/200**

(58) **Field of Classification Search**
USPC D11/1-2, 200-201, 206-210, 214-218;
24/163 R, 169-171, 173, 177-179, 191,
24/194-195, 197, 200, 614-616, 625,
24/198, 578.11, 578.1, 163 K, 114;
D2/853, 624
CPC A44B 11/26; A44B 11/25; A44B 11/06;
A44B 11/04
See application file for complete search history.

(56) **References Cited**

U.S. PATENT DOCUMENTS

1,107,126 A * 8/1914 Wilson A47H 13/06
24/186
2,608,691 A * 9/1952 Berg A41F 17/00
2/325

2,952,887 A * 9/1960 Dannheim A44B 1/28
24/104
D309,280 S * 7/1990 Balfanz-Lee D11/201
D607,375 S * 1/2010 Koenig D11/200
D694,151 S * 11/2013 Johnson D11/200
D727,793 S * 4/2015 Schier D11/200
D729,118 S * 5/2015 Johnson D11/200
2010/0043125 A1 * 2/2010 MacLean A44B 11/04
2/336

* cited by examiner

Primary Examiner — Ralf Seifert

(74) *Attorney, Agent, or Firm* — Fox Rothschild LLP

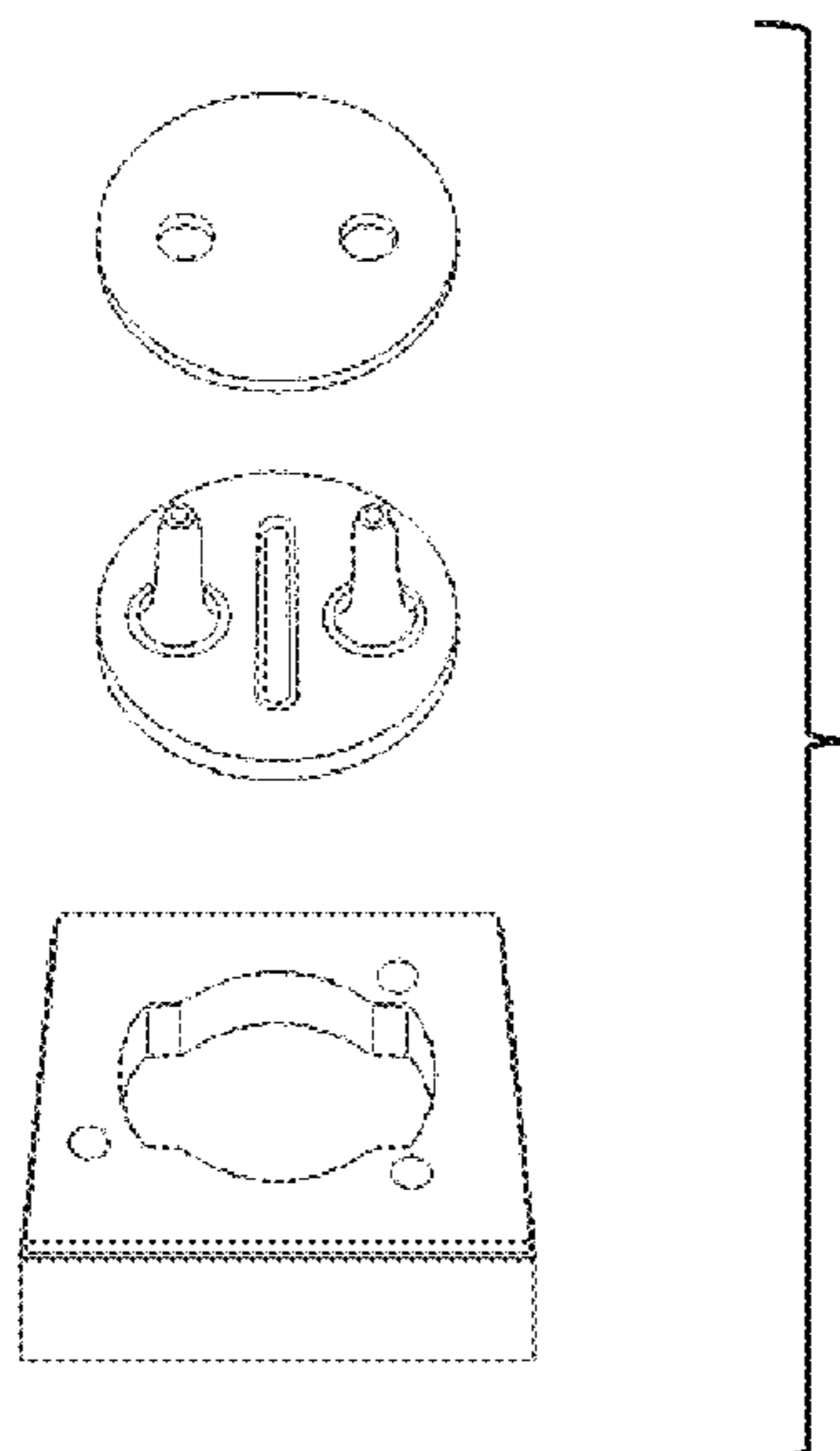
(57) **CLAIM**

The ornamental design for a clip for clothes, as shown and described.

DESCRIPTION

FIG. 1 is an exploded, top isometric view of a clip for clothes according to the present invention.
FIG. 2 is an exploded, bottom isometric view of the clip for clothes shown in FIG. 1.
FIG. 3 is a top isometric view of the male element of the clip for clothes shown in FIG. 1.
FIG. 4 is a bottom, front isometric view of the male element of FIG. 3.
FIG. 5 is a bottom isometric view of the male element of FIG. 3.
FIG. 6 is a front elevation view of the male element of FIG. 3, the rear elevation view being the same.
FIG. 7 is a right side elevation view of the male element of FIG. 3, the left side elevation view being the same.
FIG. 8 is a top isometric view of the female element of the clip for clothes shown in FIG. 1; and,
FIG. 9 is a bottom isometric view of the female element of FIG. 8, each of the side surfaces being the same.

1 Claim, 5 Drawing Sheets



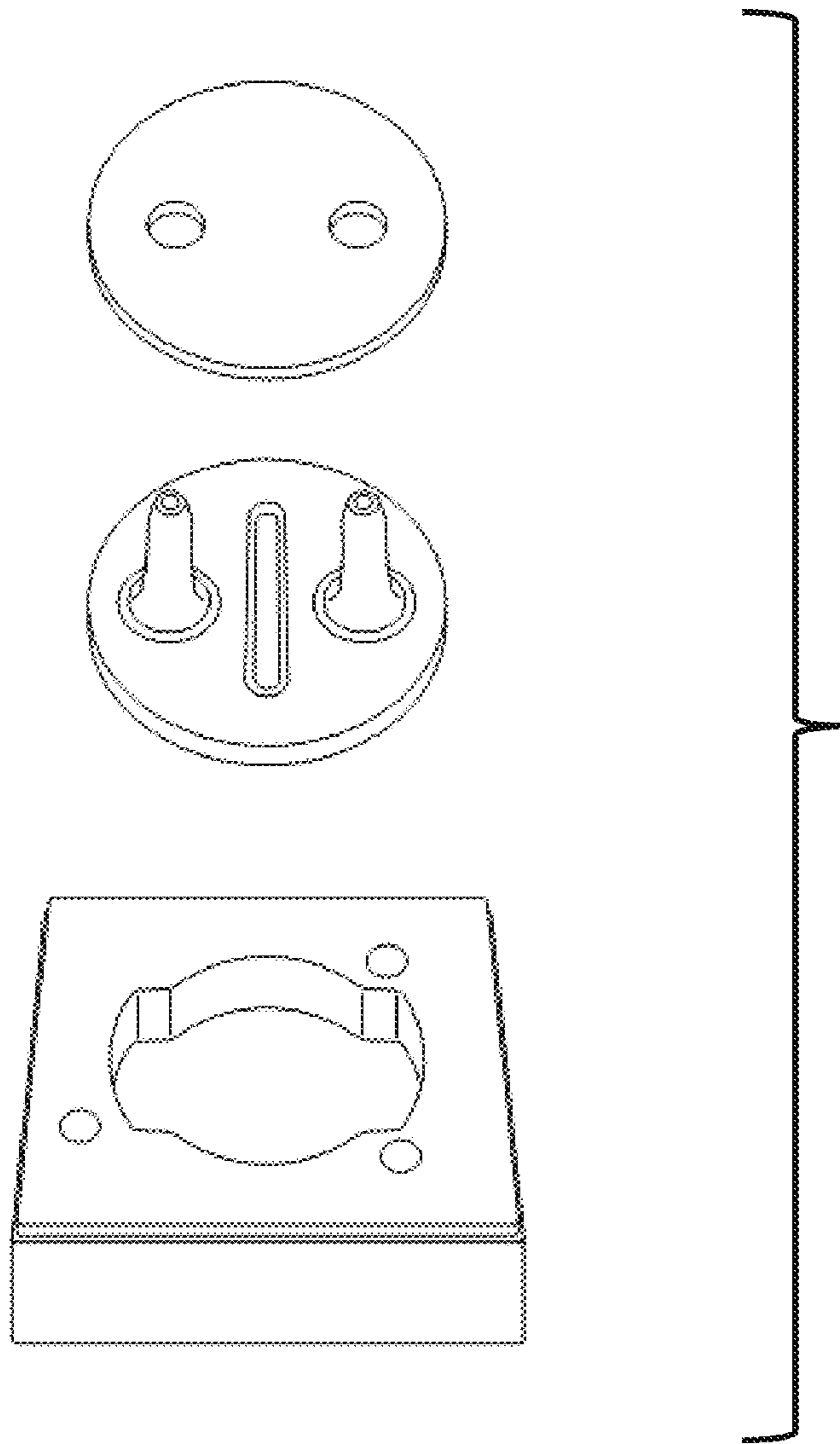


Fig. 1

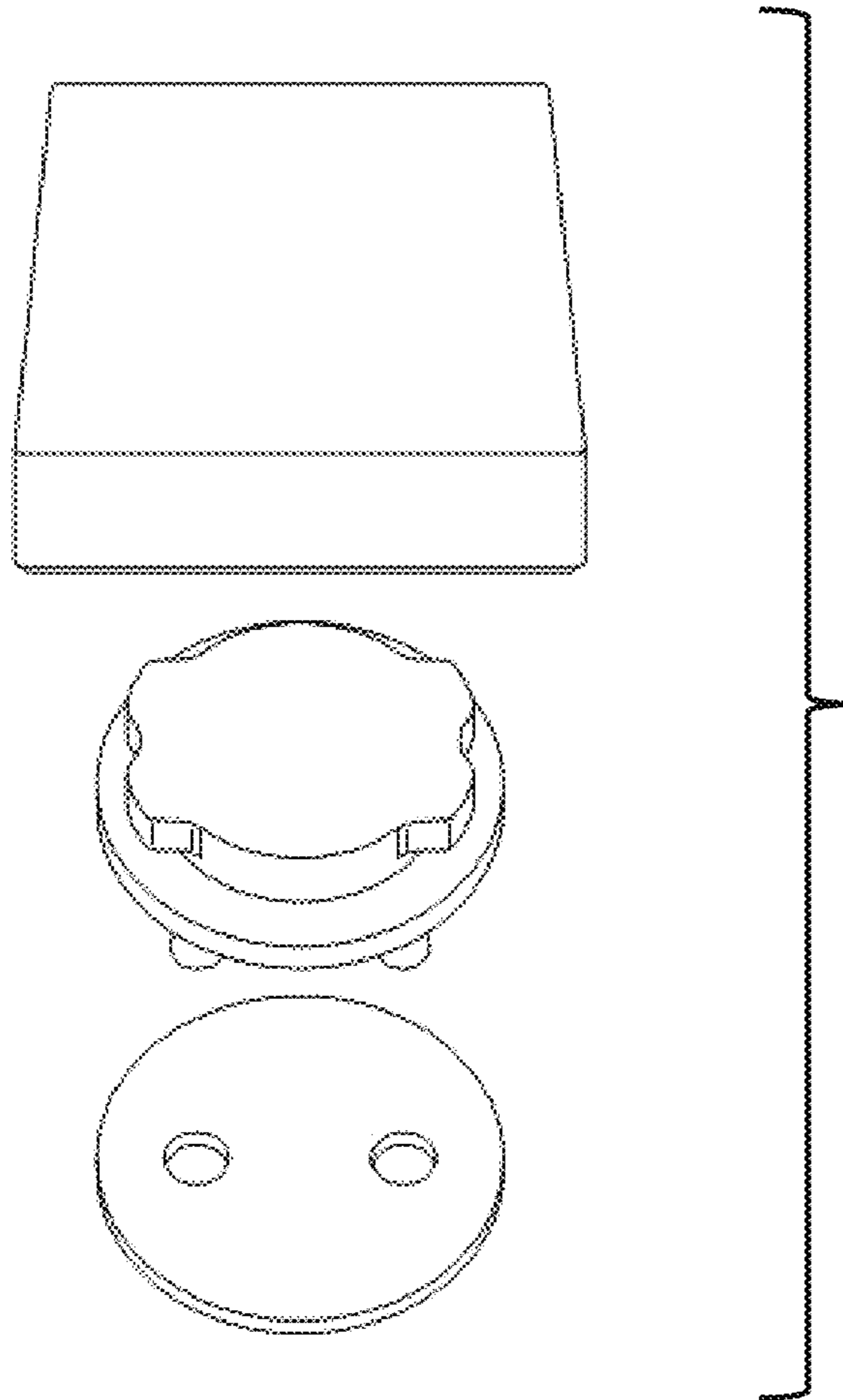


Fig. 2

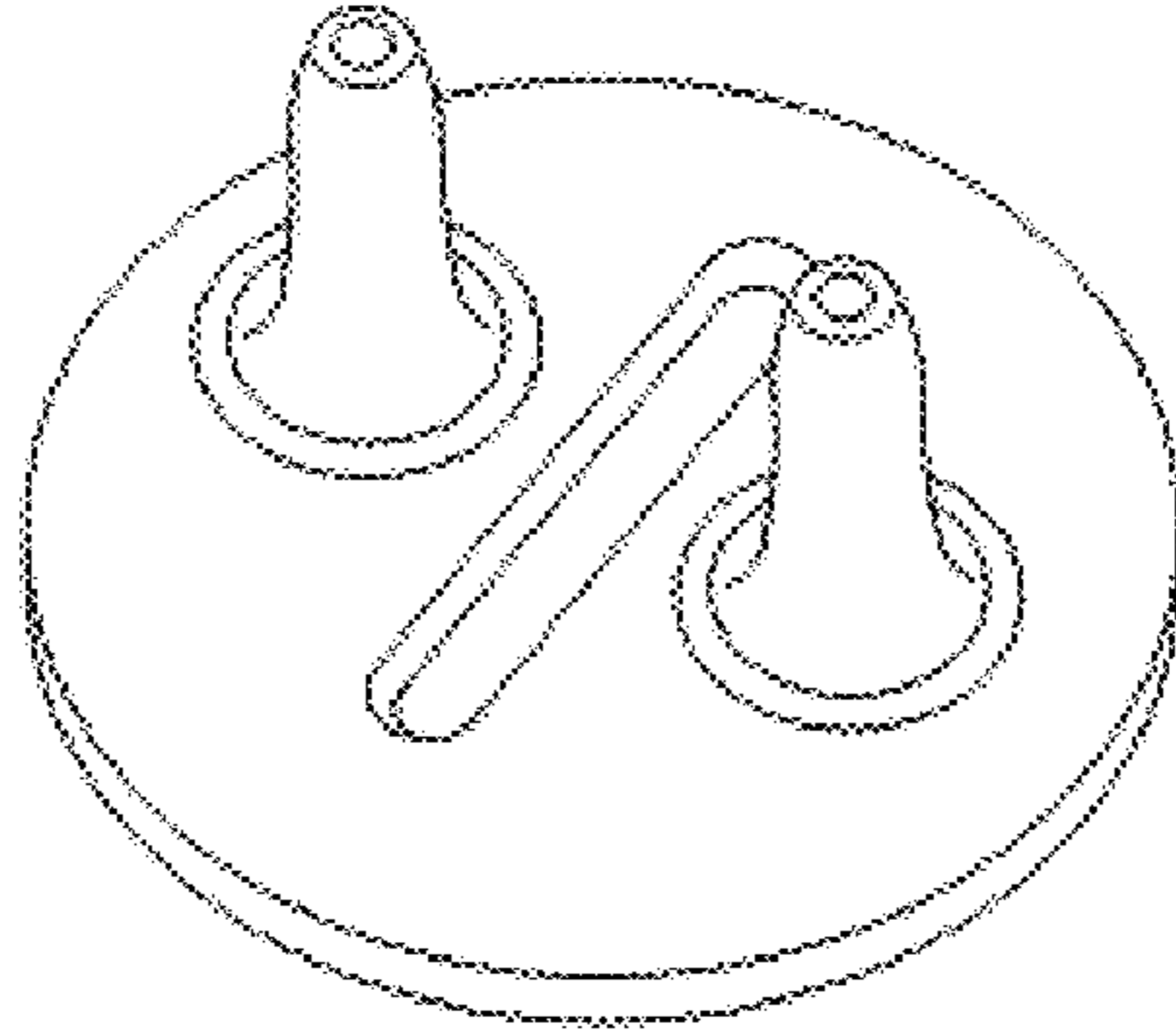


Fig. 3

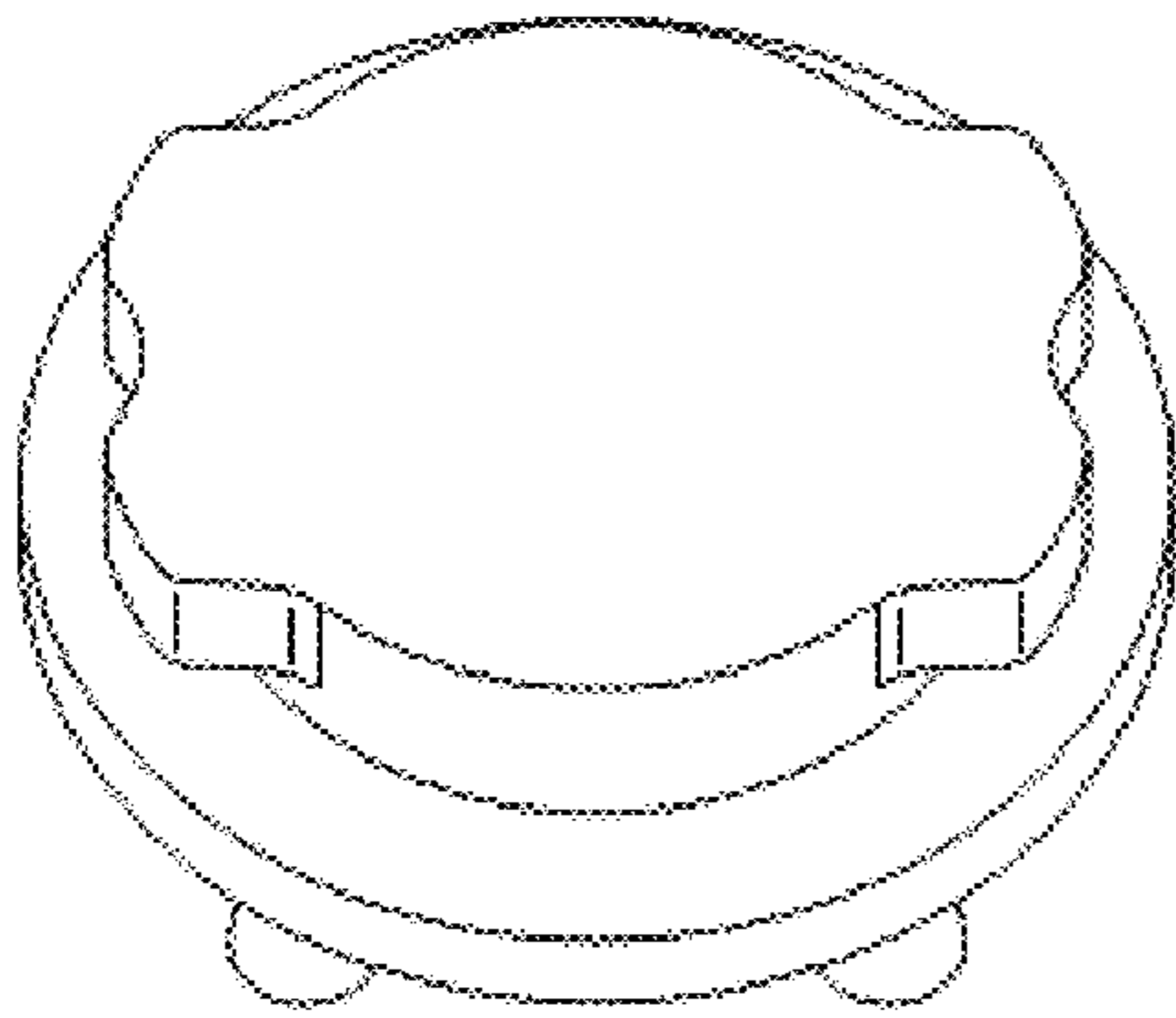


Fig. 4

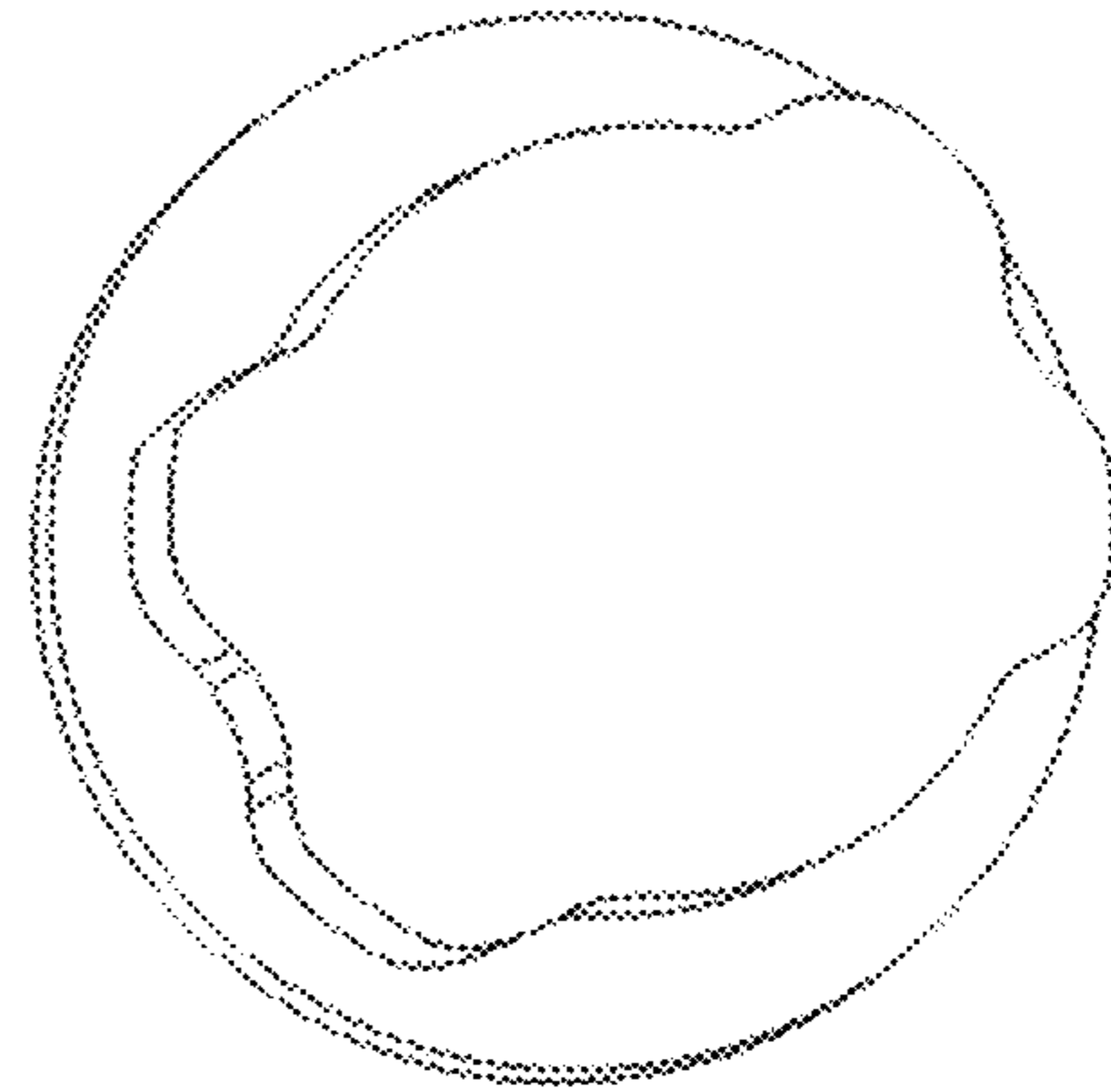


Fig. 5

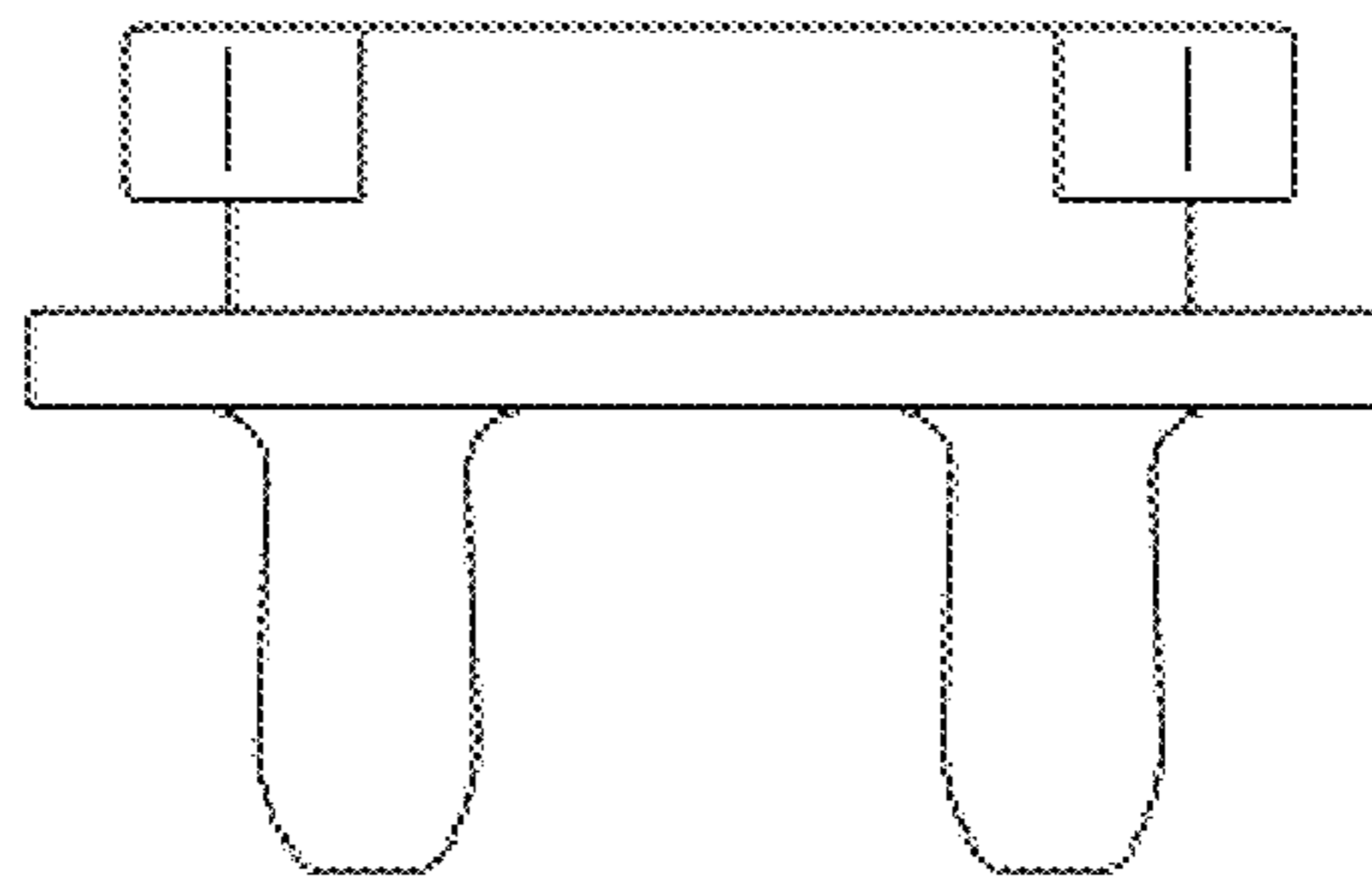


Fig. 6

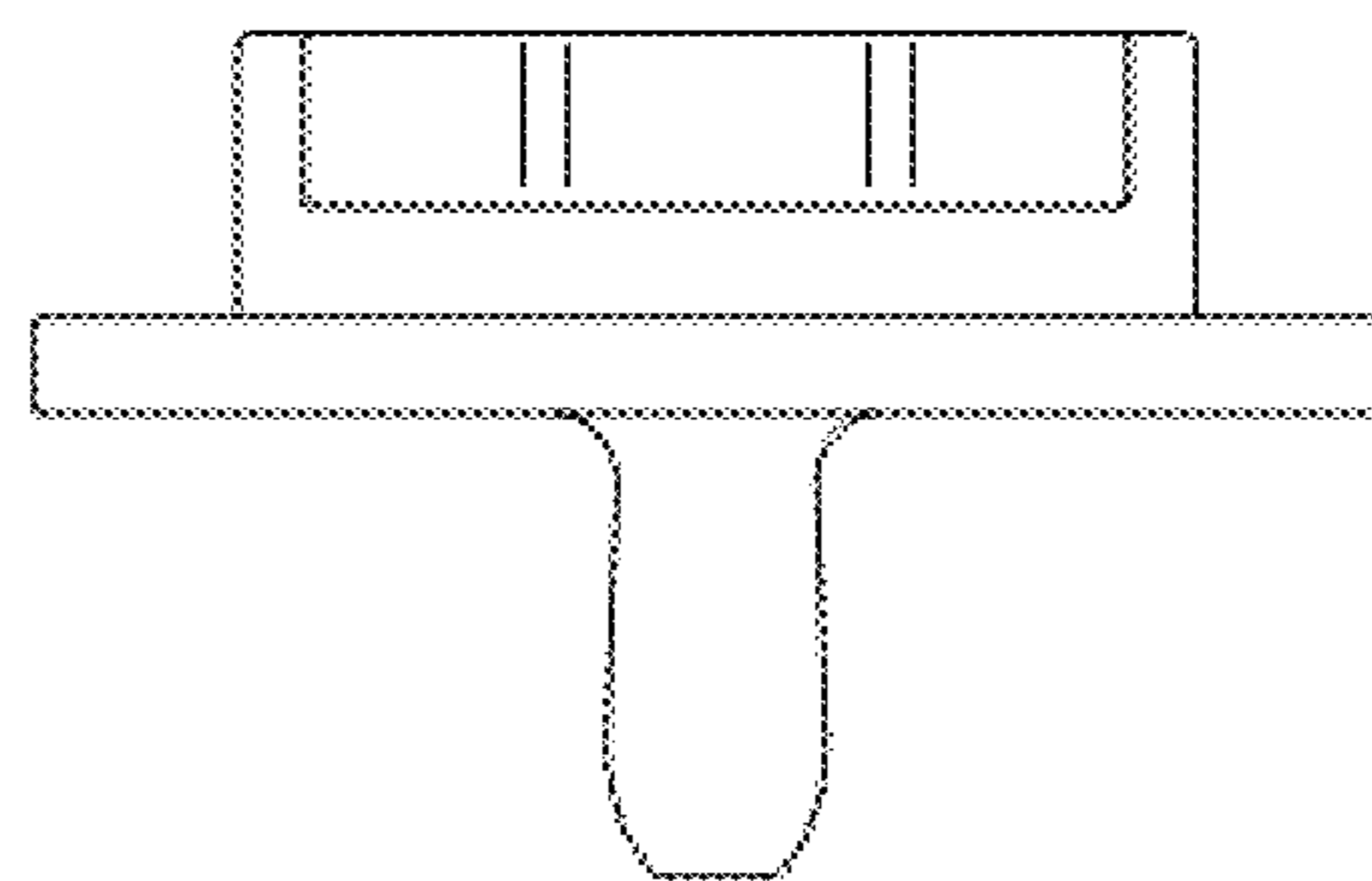


Fig. 7

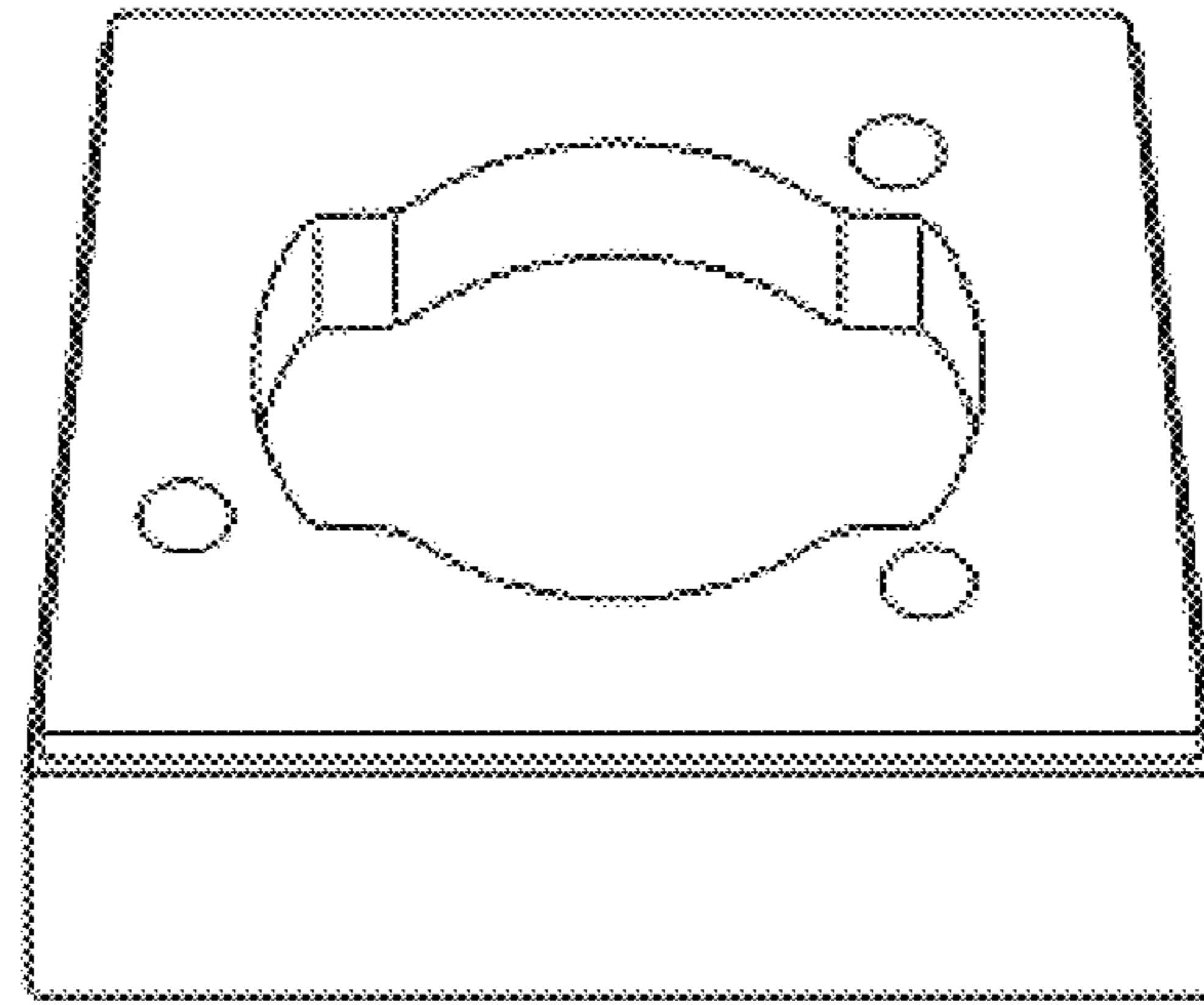


Fig. 8

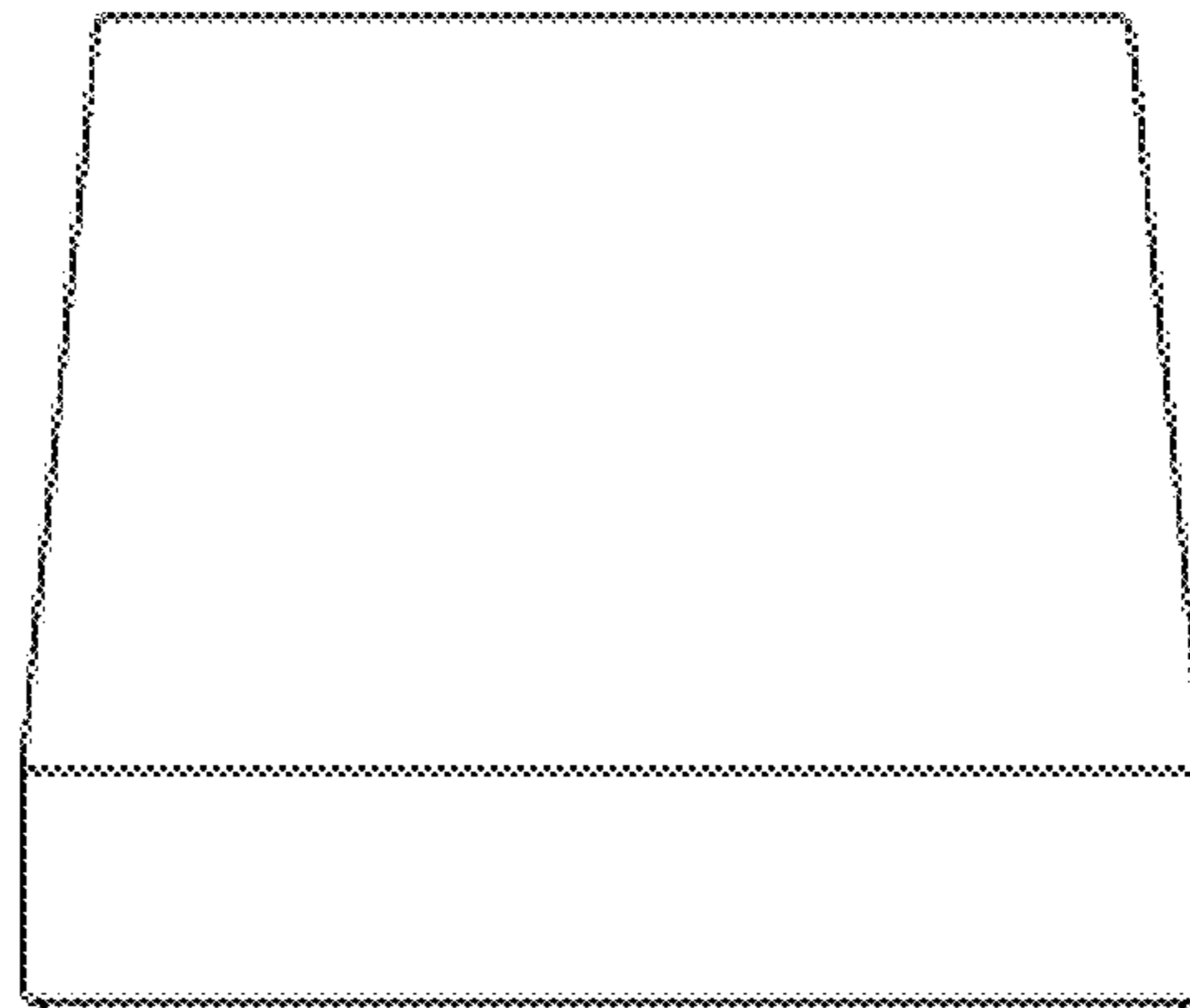


Fig. 9