



US00D813716S

(12) **United States Design Patent**
Tolkowsky

(10) **Patent No.:** **US D813,716 S**
(45) **Date of Patent:** **** Mar. 27, 2018**

(54) **CUT GEMSTONE**

(71) Applicant: **Clear Sea Ltd.**, Port Louis (MU)

(72) Inventor: **Jean Paul Tolkowsky**, Billingsley Shropshire (GB)

(73) Assignee: **SIGNET JEWELERS BRANDS LIMITED**, Borehamwood (GB)

(**) Term: **15 Years**

(21) Appl. No.: **29/591,863**

(22) Filed: **Jan. 24, 2017**

(30) **Foreign Application Priority Data**

Sep. 8, 2016 (GB) 6000418

(51) **LOC (11) Cl.** **11-01**

(52) **U.S. Cl.**
USPC **D11/90**

(58) **Field of Classification Search**
USPC D11/1-2, 26-29, 89-92; 63/26-28, 32
CPC A44C 17/00; A44C 17/01; A44C 17/005;
A44C 17/007; A44C 17/008
See application file for complete search history.

(56) **References Cited**

U.S. PATENT DOCUMENTS

D514,977 S * 2/2006 Mehta D11/90
D583,702 S * 12/2008 Habif D11/90

8,181,482 B2 * 5/2012 Hasenfeld A44C 17/001
63/32
D662,438 S * 6/2012 Shah D11/90
D664,883 S * 8/2012 Parikh D11/90
D676,784 S * 2/2013 Jhaveri D11/90
D677,598 S * 3/2013 Dhanani D11/90
D789,239 S * 6/2017 Tolkowsky D11/90

* cited by examiner

Primary Examiner — Raif T Seifert

(74) *Attorney, Agent, or Firm* — Baker & McKenzie LLP

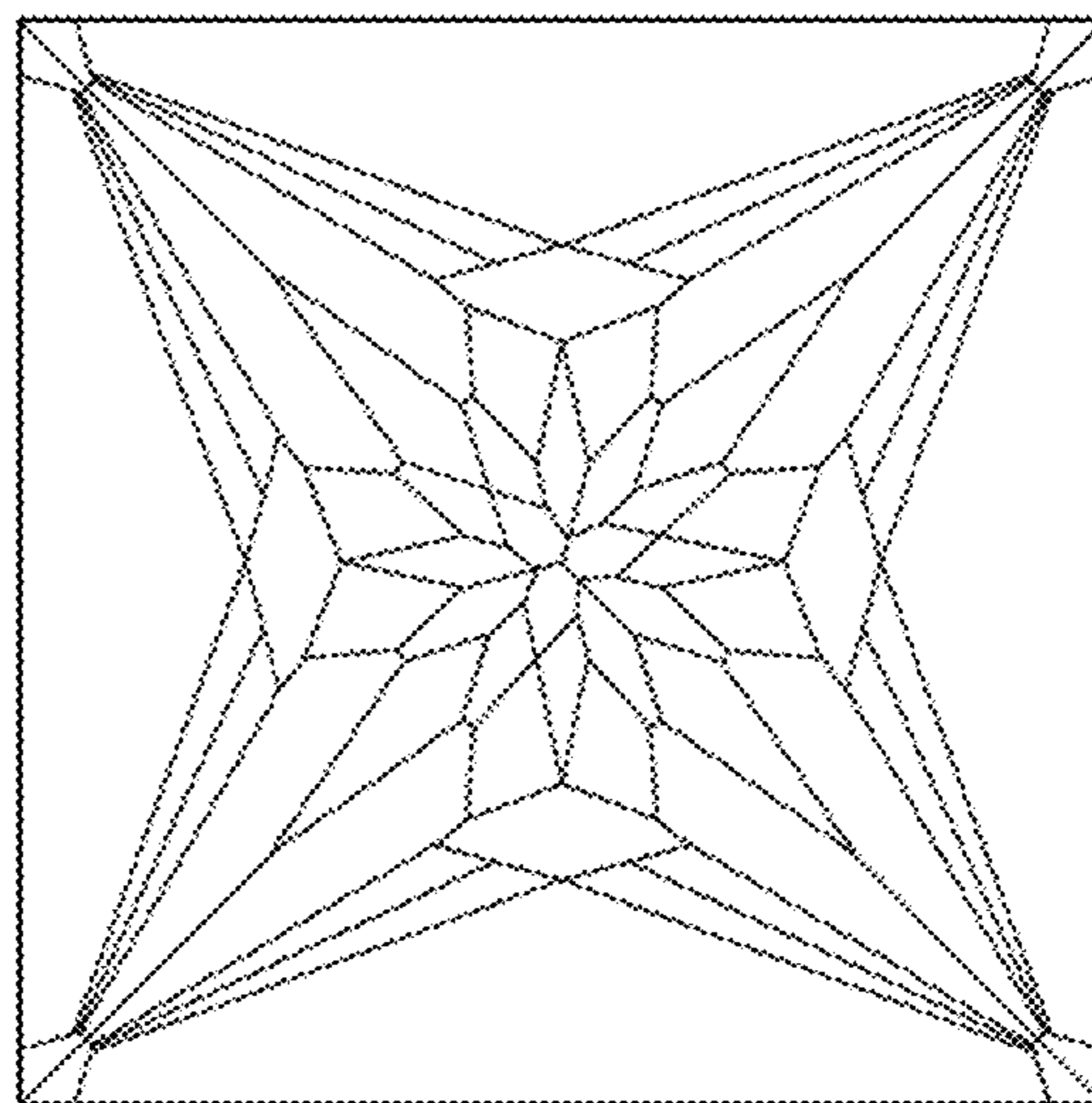
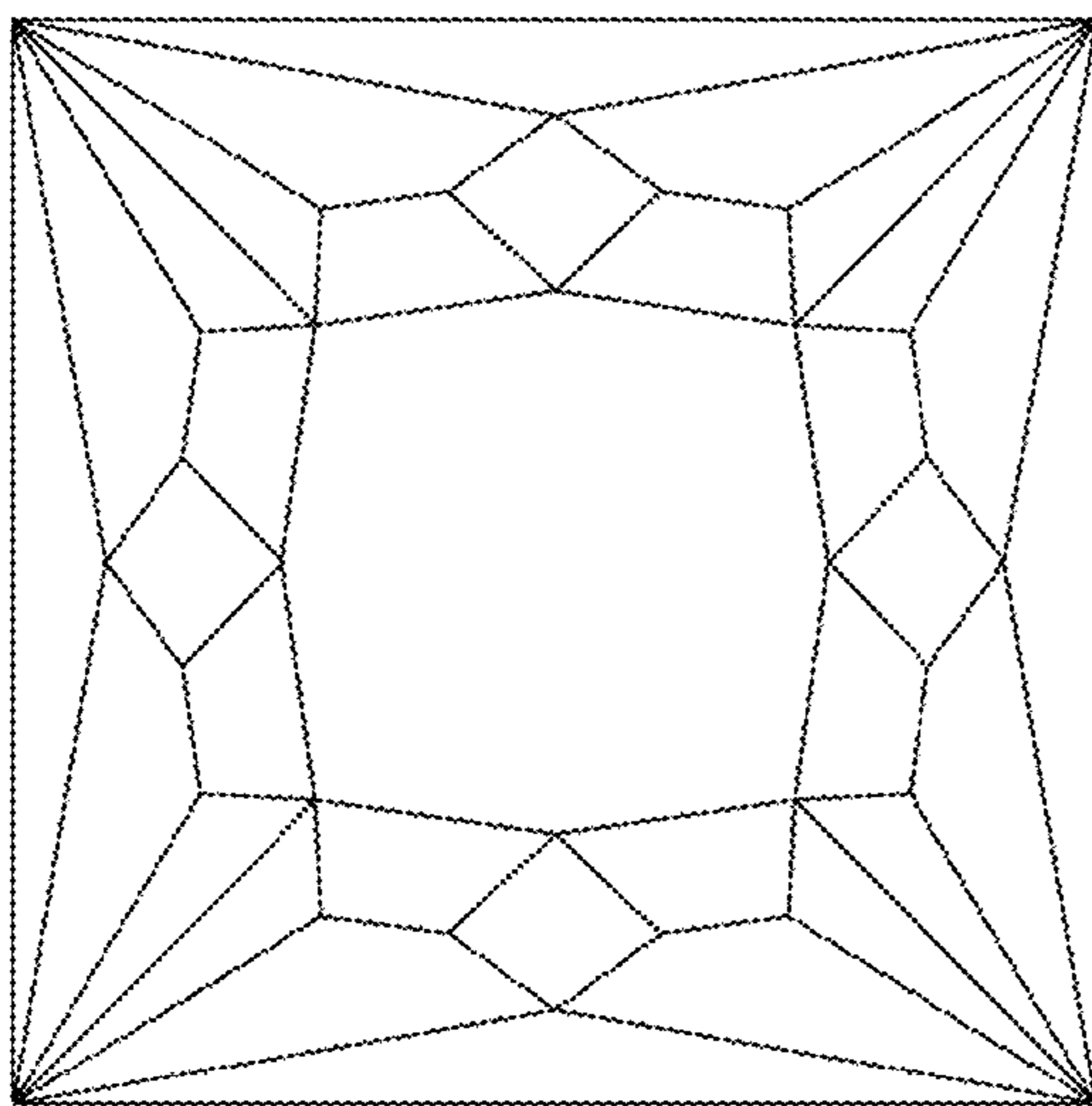
(57) **CLAIM**

The ornamental design for a cut gemstone, as shown and described.

DESCRIPTION

FIG. 1 is a top plan view of my new design;
FIG. 2 is a bottom plan view of my new design;
FIG. 3 is a left elevation view of my new design;
FIG. 4 is a right elevation view of my new design;
FIG. 5 is a back elevation view of my new design;
FIG. 6 is a front elevation view of my new design;
FIG. 7 is a top perspective view of my new design; and,
FIG. 8 is a bottom perspective view of my new design.

1 Claim, 8 Drawing Sheets



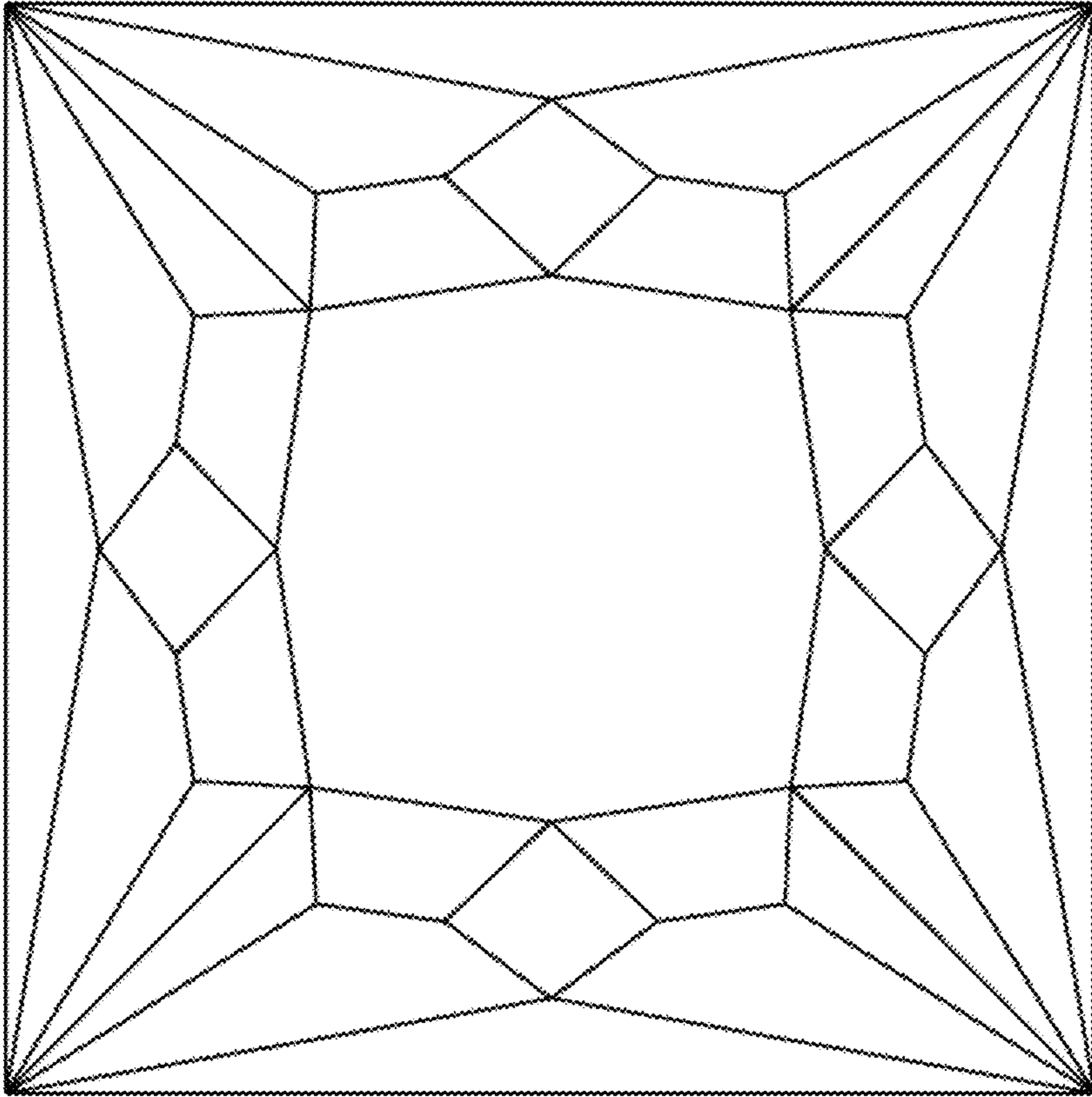


FIG. 1

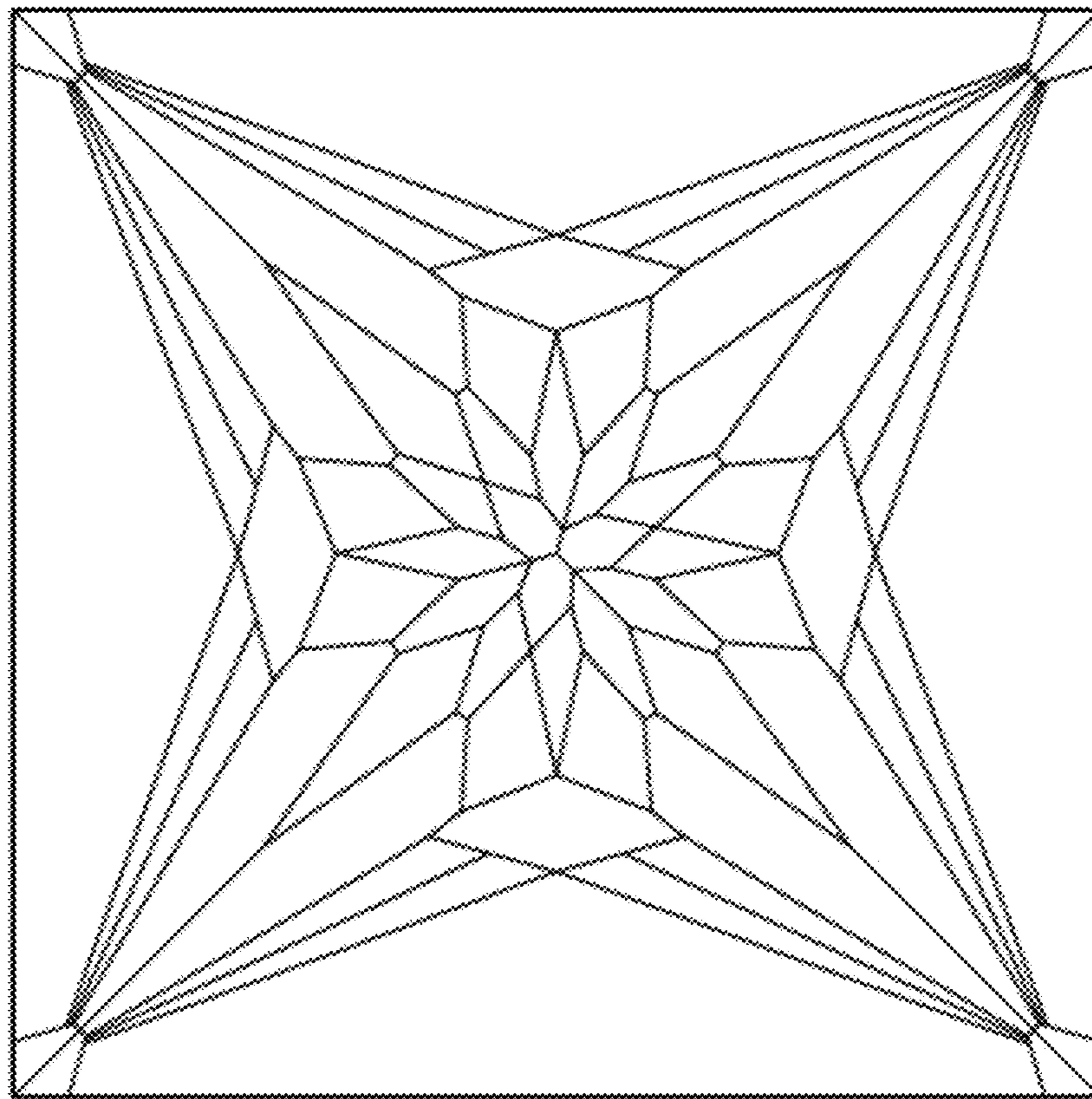


FIG. 2

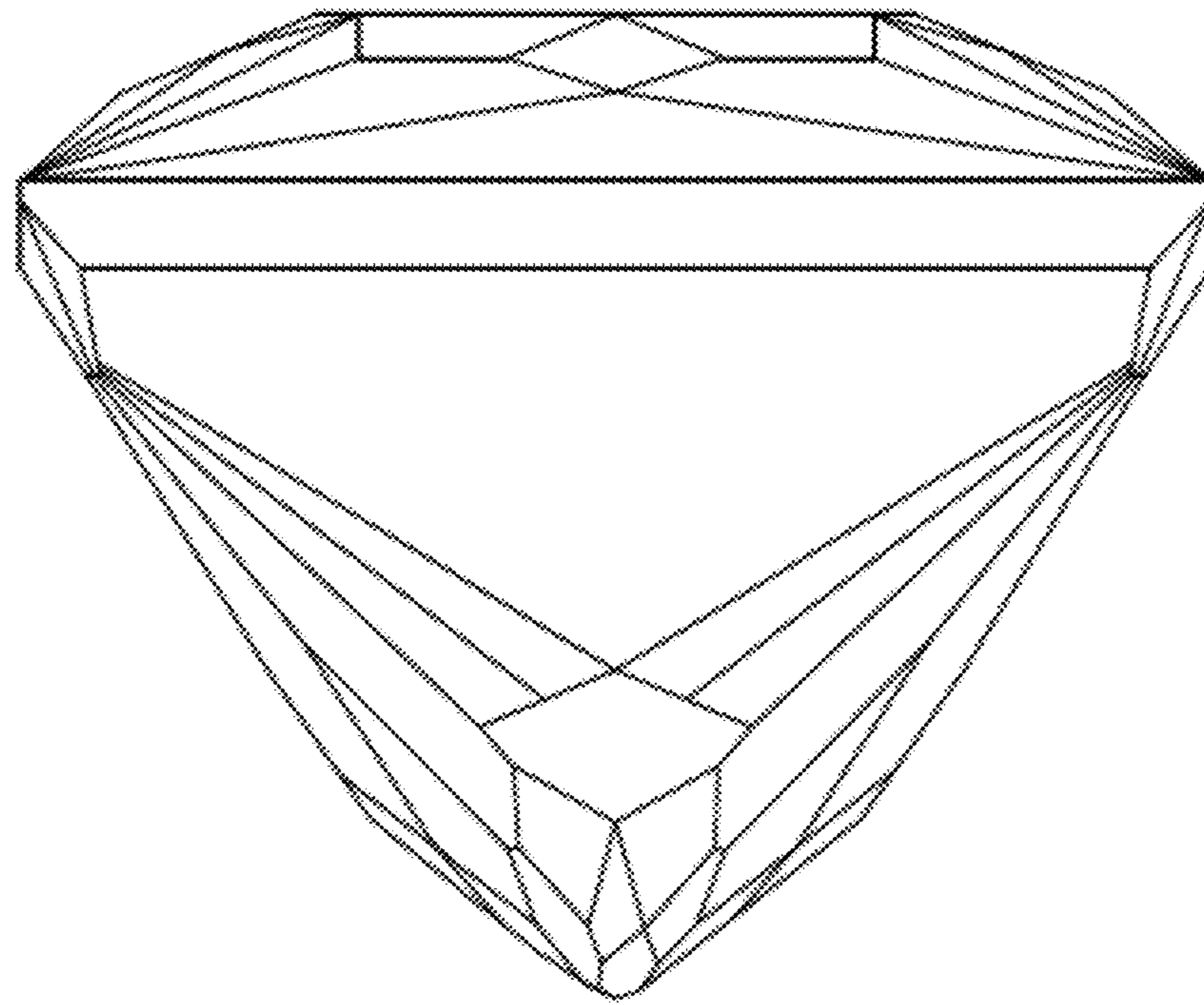


FIG.3

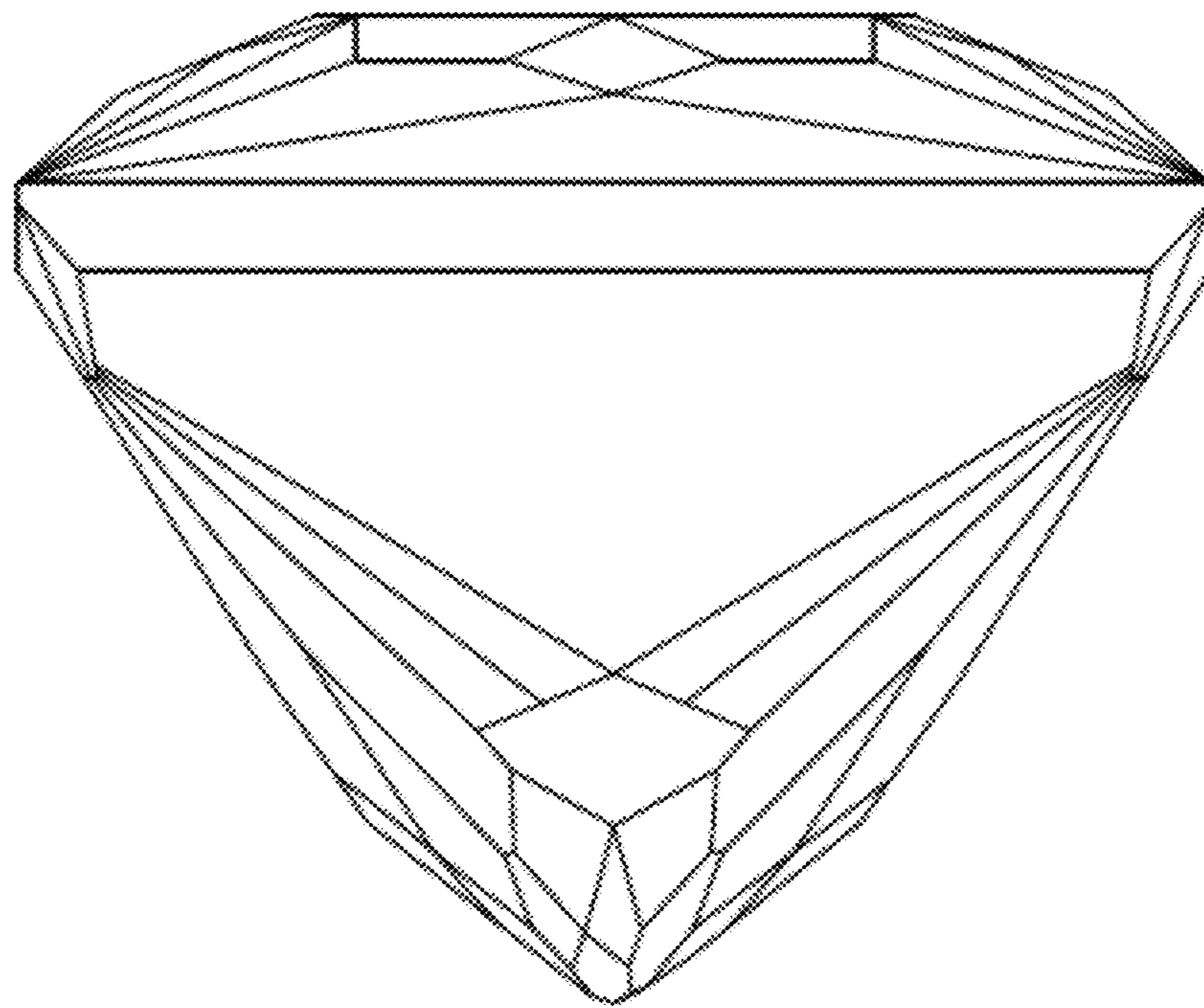


FIG. 4

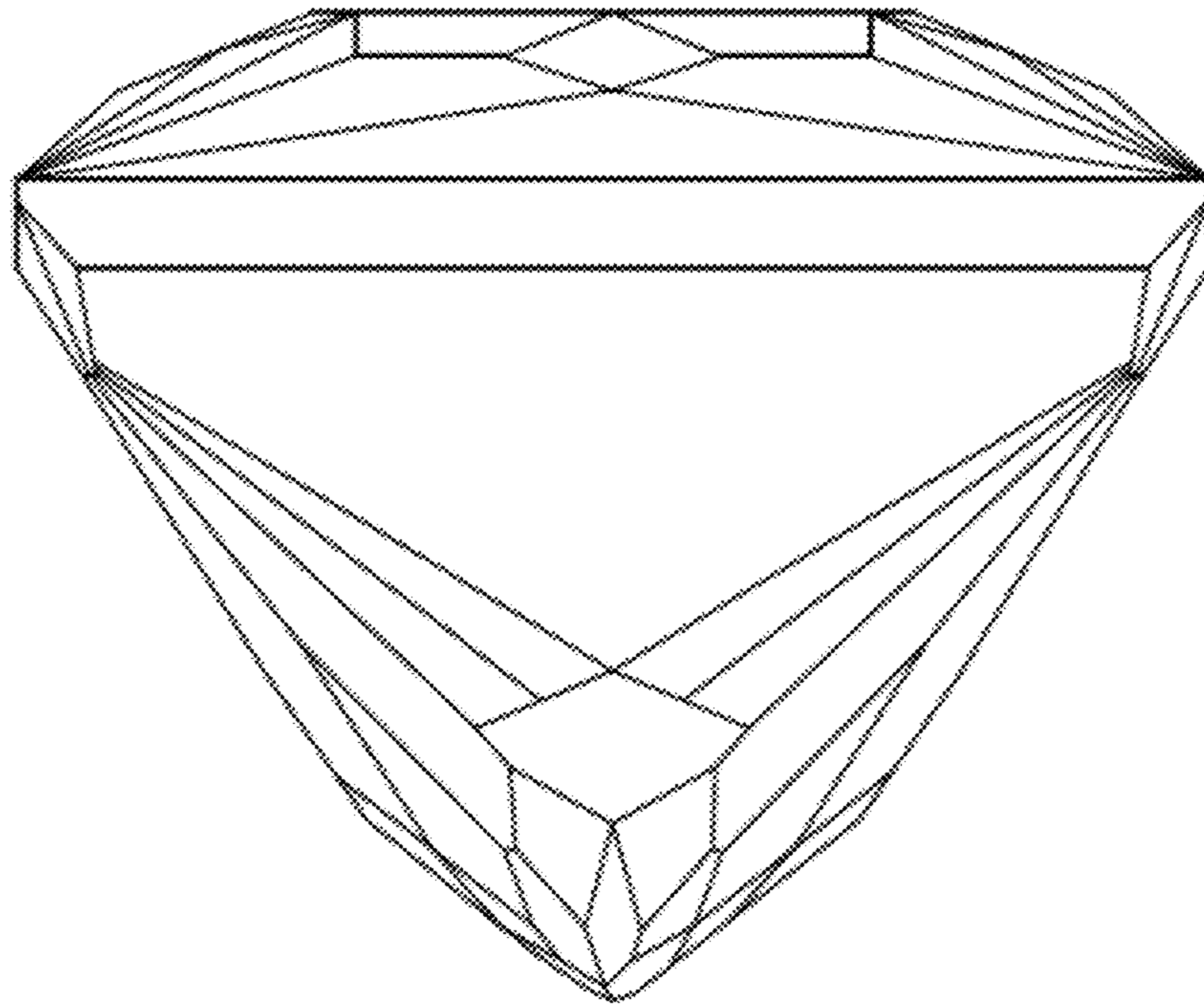


FIG. 5

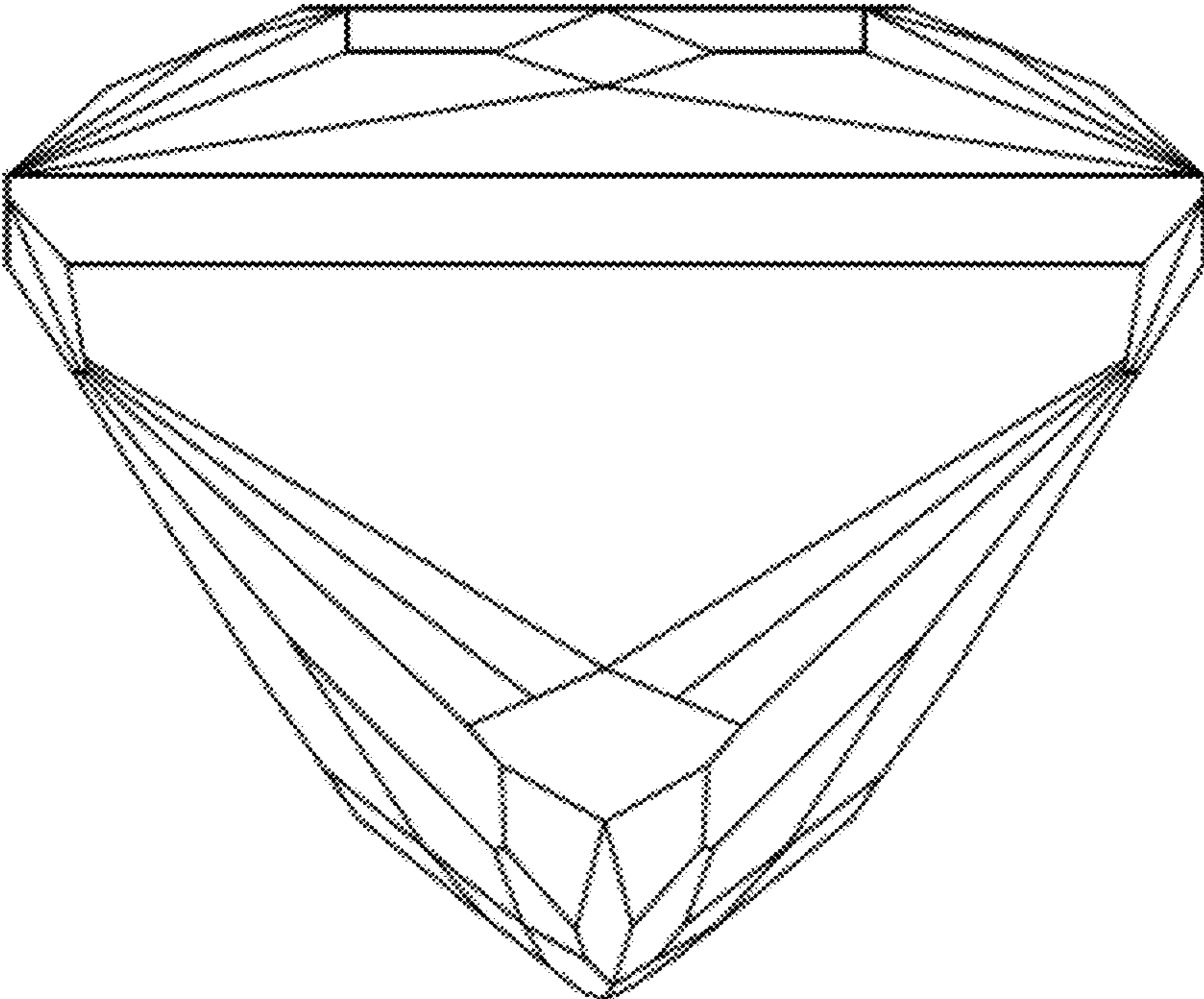


FIG. 6

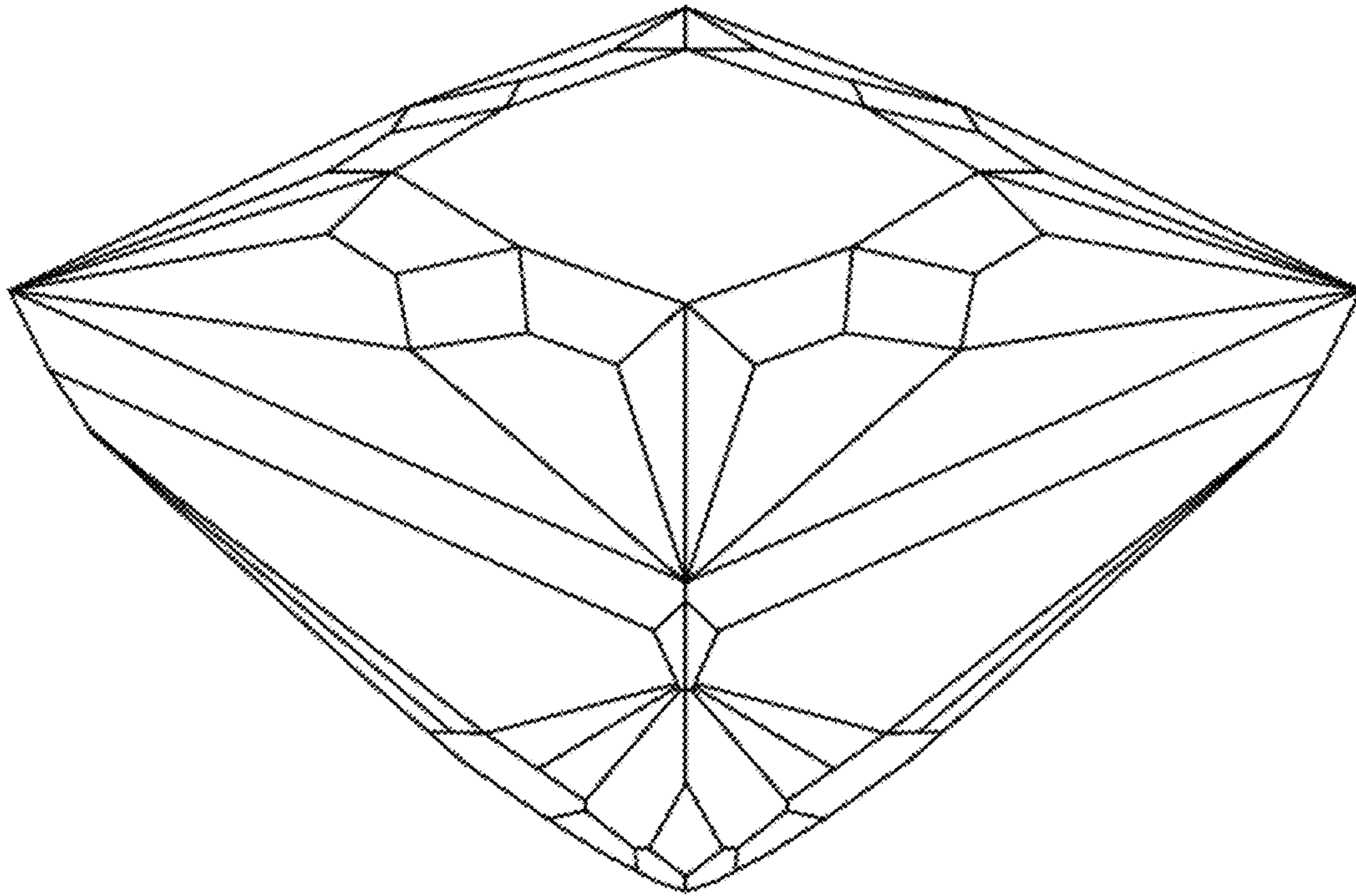


FIG. 7

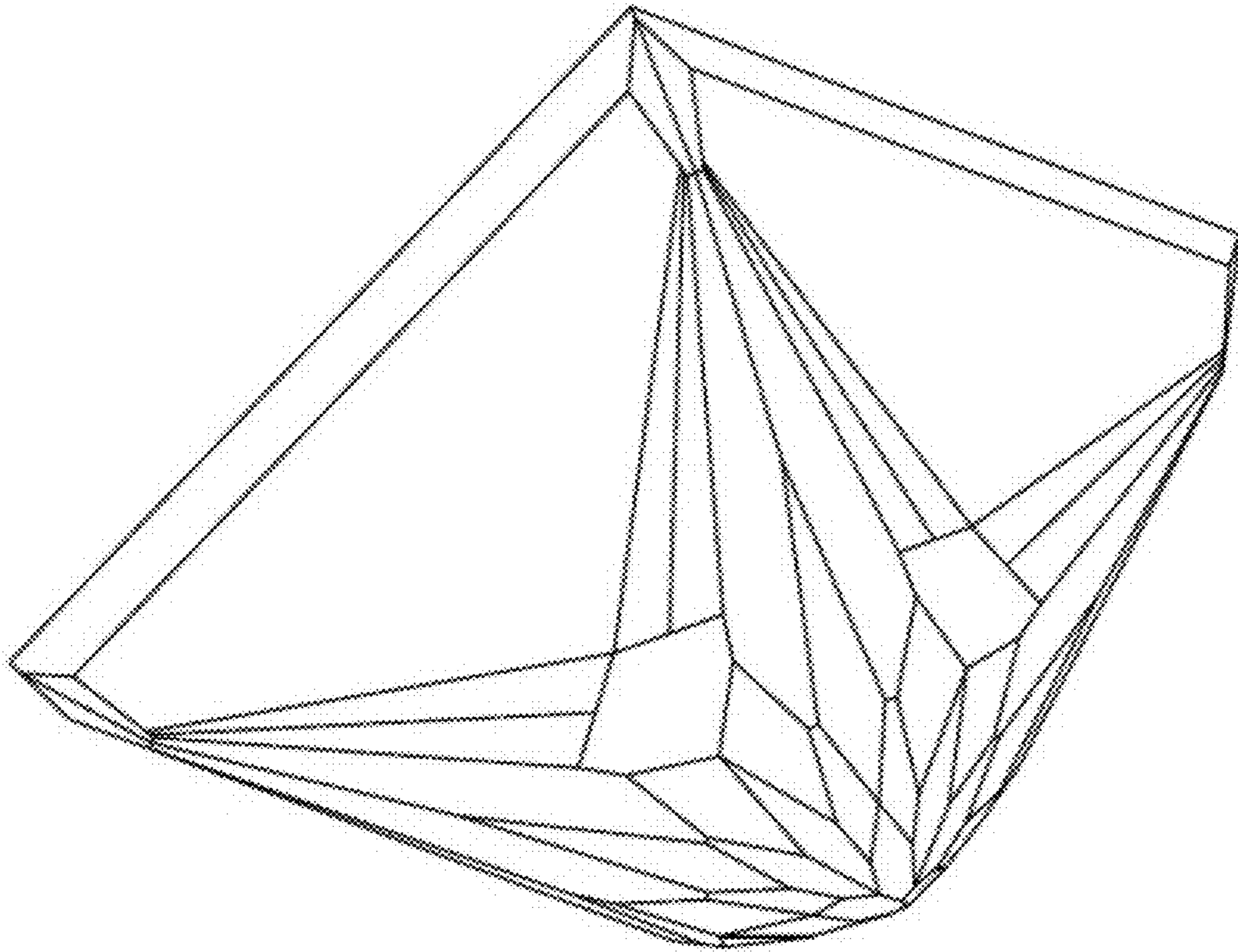


FIG. 8