



US00D813713S

(12) **United States Design Patent**
Williams et al.

(10) **Patent No.:** **US D813,713 S**
(45) **Date of Patent:** **** Mar. 27, 2018**

(54) **WEARABLE ORNAMENT DISPLAY**
(71) Applicants: **Daniel Williams**, Mill Creek, WA (US);
Amado Batour, Somerset, NJ (US);
Erik Haldi, Mill Creek, WA (US)
(72) Inventors: **Daniel Williams**, Mill Creek, WA (US);
Amado Batour, Somerset, NJ (US);
Erik Haldi, Mill Creek, WA (US)
(**) Term: **15 Years**

D248,631 S *	7/1978	Lossini	D11/94
D253,870 S *	1/1980	Onulak	D8/499
D256,789 S *	9/1980	Mazzini	D11/13
D256,899 S *	9/1980	Mazzini	D11/13
D310,419 S *	9/1990	Morvant	D99/17
D489,599 S *	5/2004	Lam	D8/363
D501,425 S *	2/2005	Hardy	D11/101
D547,693 S *	7/2007	Toupet	D11/97
D642,374 S *	8/2011	Morrish	D3/210
D701,046 S *	3/2014	Ford	D3/318
D715,552 S *	10/2014	Kuster	D3/318
D778,767 S *	2/2017	Nicolas	D11/93

* cited by examiner

(21) Appl. No.: **29/583,506**
(22) Filed: **Nov. 6, 2016**
(51) **LOC (11) Cl.** **11-01**
(52) **U.S. Cl.**
USPC **D11/87**
(58) **Field of Classification Search**
USPC D11/1-3, 6-8, 11-13, 40-44, 47-49, 53,
D11/79-83, 86-88, 93-95, 97, 99-101;
D3/207-211; D8/33-40, 88, 89; 63/1.11,
63/12, 13, 14.1, 14.3, 14.4, 14.8, 18-23,
63/33, 38; 81/15.9
CPC A44C 15/004; A44C 5/102
See application file for complete search history.

Primary Examiner — Cathron C Brooks
Assistant Examiner — W. A. Teddy Falloway
(74) *Attorney, Agent, or Firm* — Michelle Carey; Telekta
Law, P.S.

(57) **CLAIM**

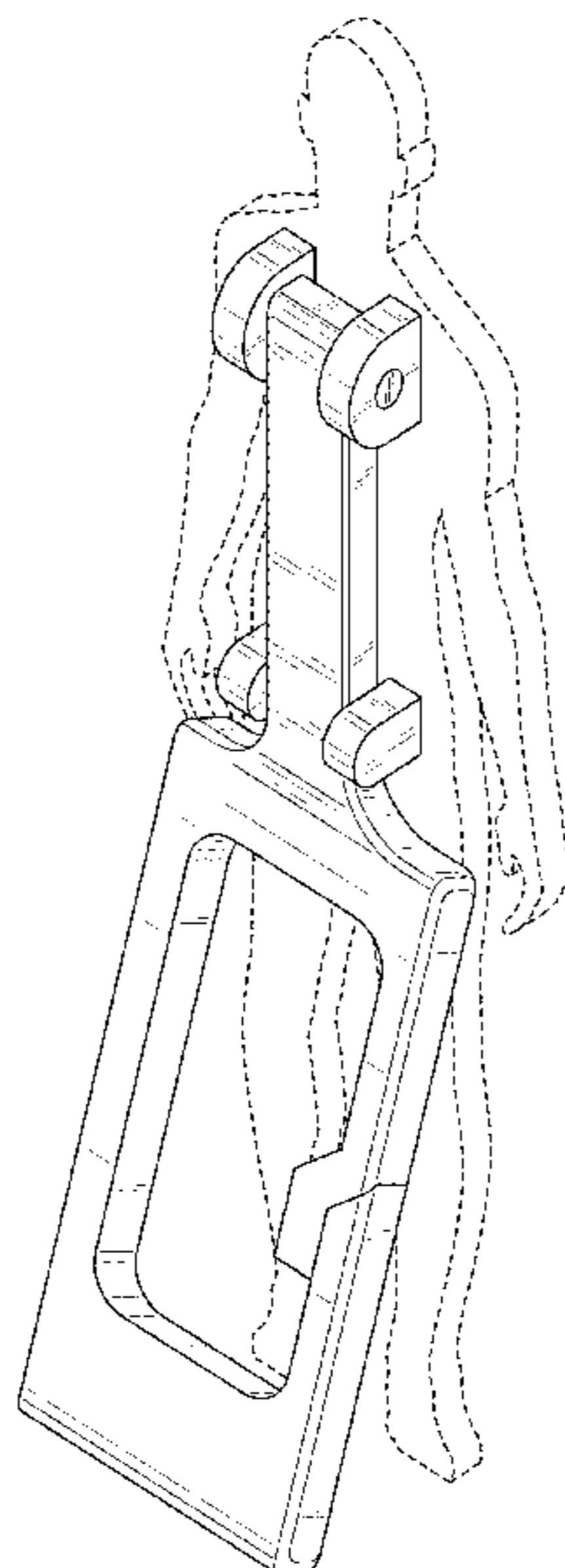
The ornamental design for a wearable ornament display, as shown and described.

DESCRIPTION

FIG. 1 is a rear isometric view of the wearable ornament display, showing our new design;
FIG. 2 is a front plan view of the wearable ornament display;
FIG. 3 is a rear plan view thereof;
FIG. 4 is a left side plan view thereof;
FIG. 5 is a right side plan view thereof;
FIG. 6 is a top plan view thereof;
FIG. 7 is a bottom plan view thereof;
FIG. 8 is a front plan view of the wearable ornament display in an extended position; and,
FIG. 9 is a rear plan view thereof.
The broken line showing of the wearable ornament is for the purpose of illustrating environmental structure and forms no part of the claimed design.

(56) **References Cited**
U.S. PATENT DOCUMENTS
D30,362 S * 3/1899 Locke D11/93
1,701,941 A * 2/1929 Allsopp A44C 5/102
59/80
1,931,124 A * 10/1933 Anderson A44C 5/102
59/80
2,082,879 A * 6/1937 Fassnacht A44C 15/004
40/618
D124,198 S * 12/1940 Paxton D11/12
2,352,381 A * 6/1944 Goldstein A44C 5/102
63/20
D158,392 S * 5/1950 Laufer D11/87

1 Claim, 7 Drawing Sheets



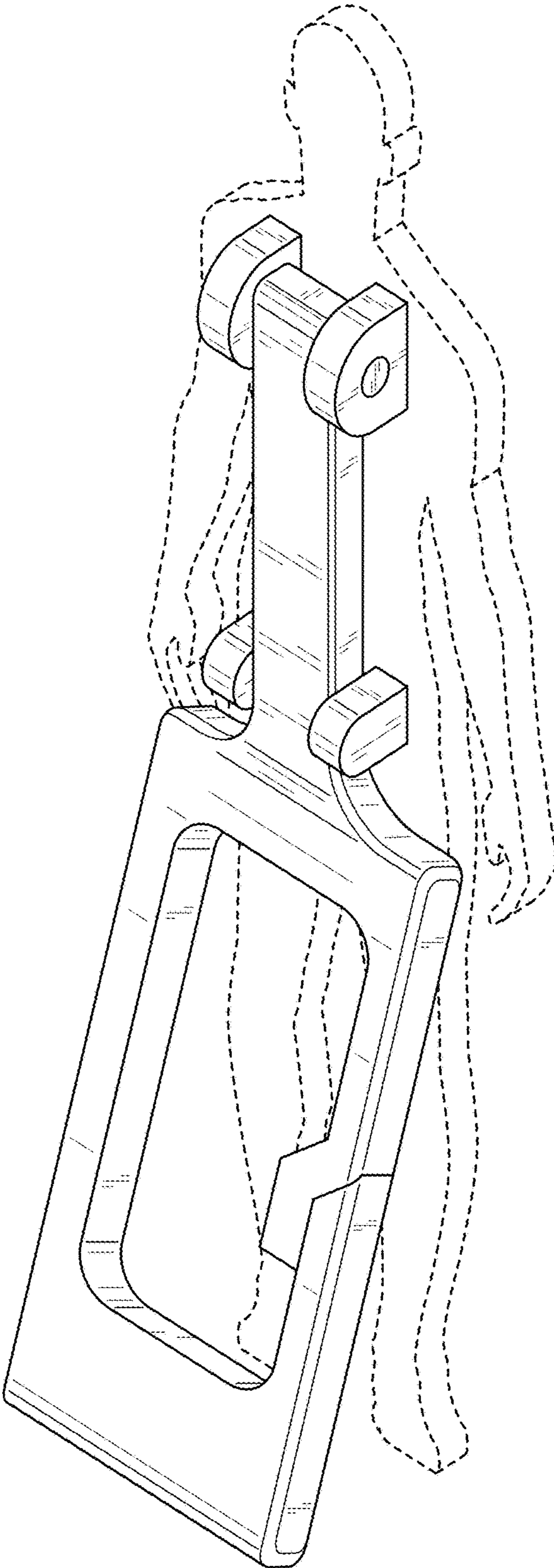


FIG. 1

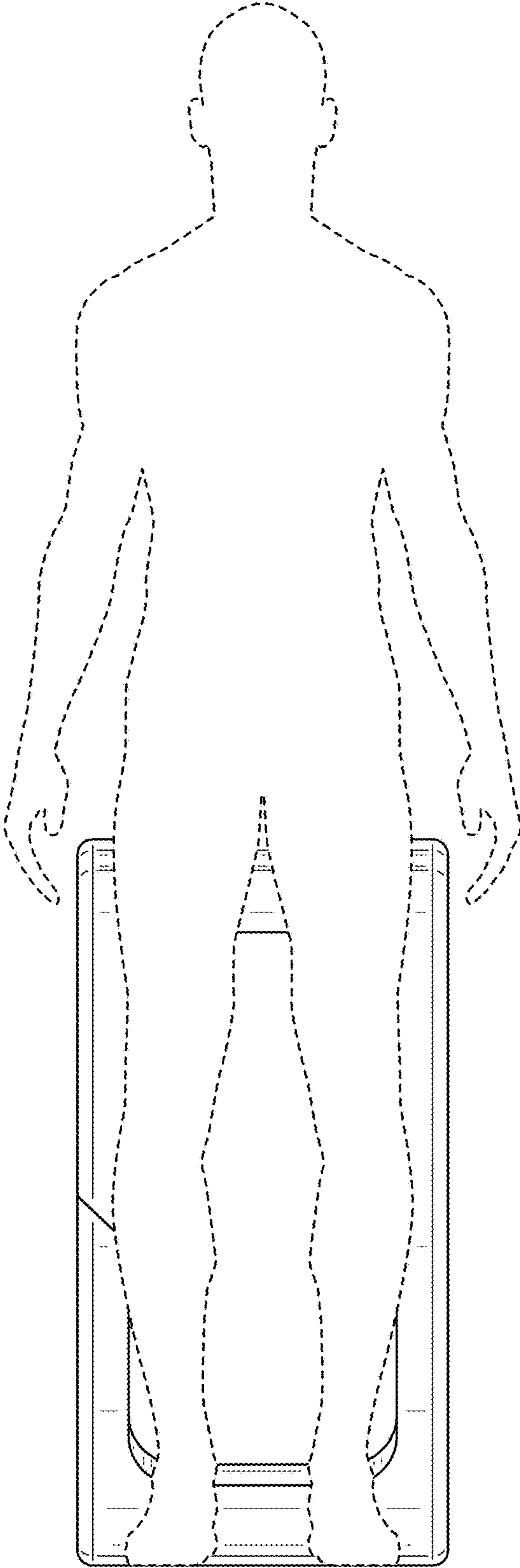


FIG. 2

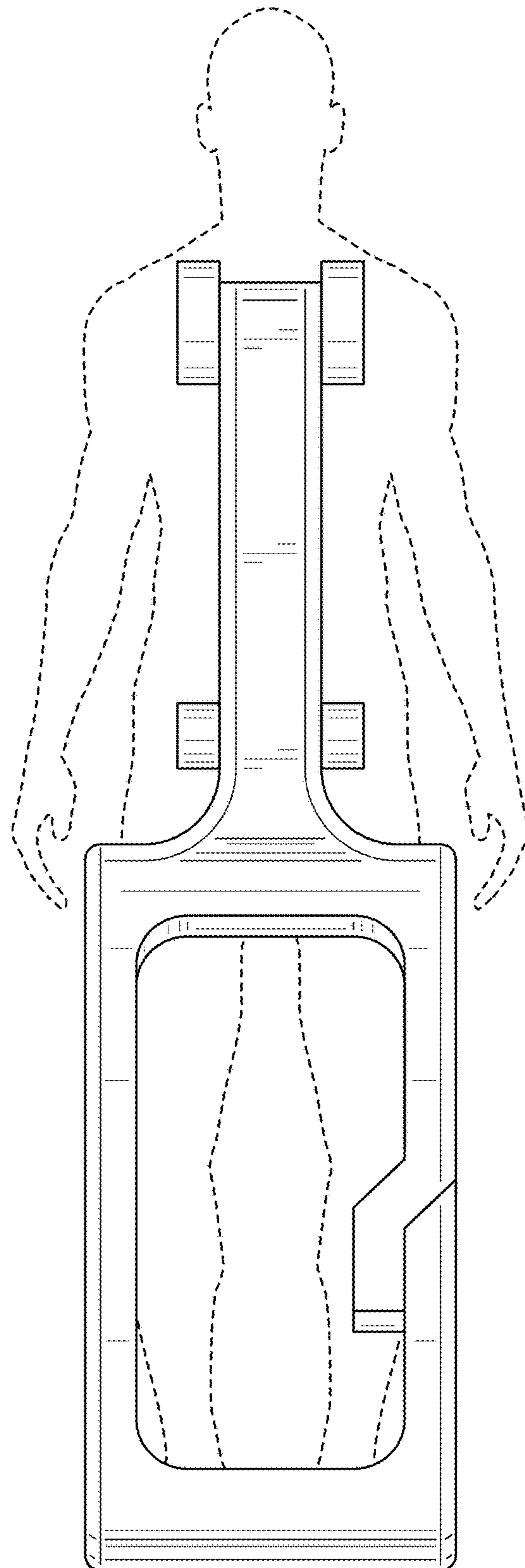


FIG. 3

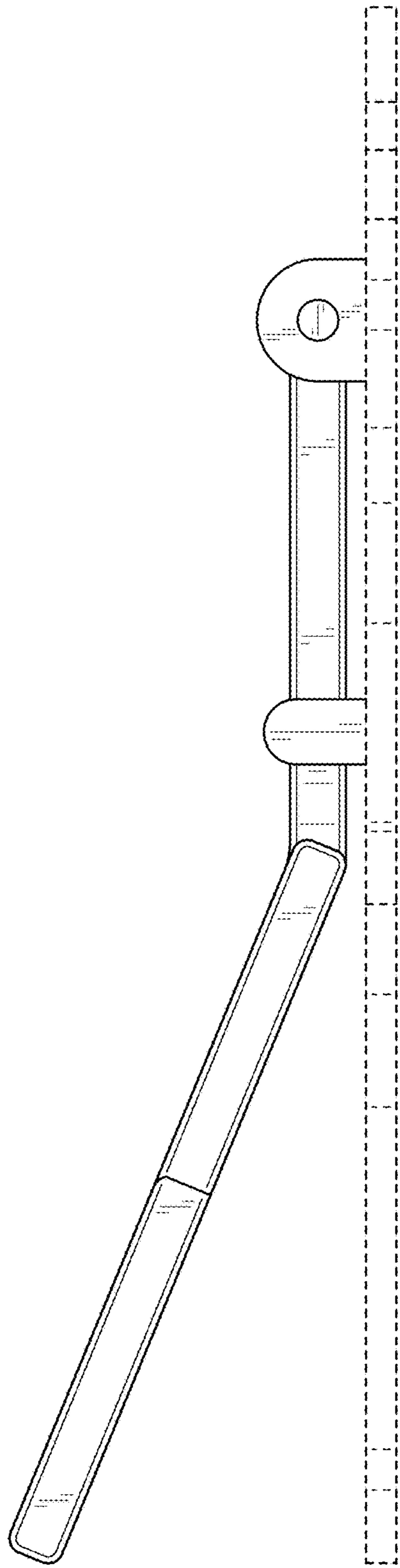


FIG. 4

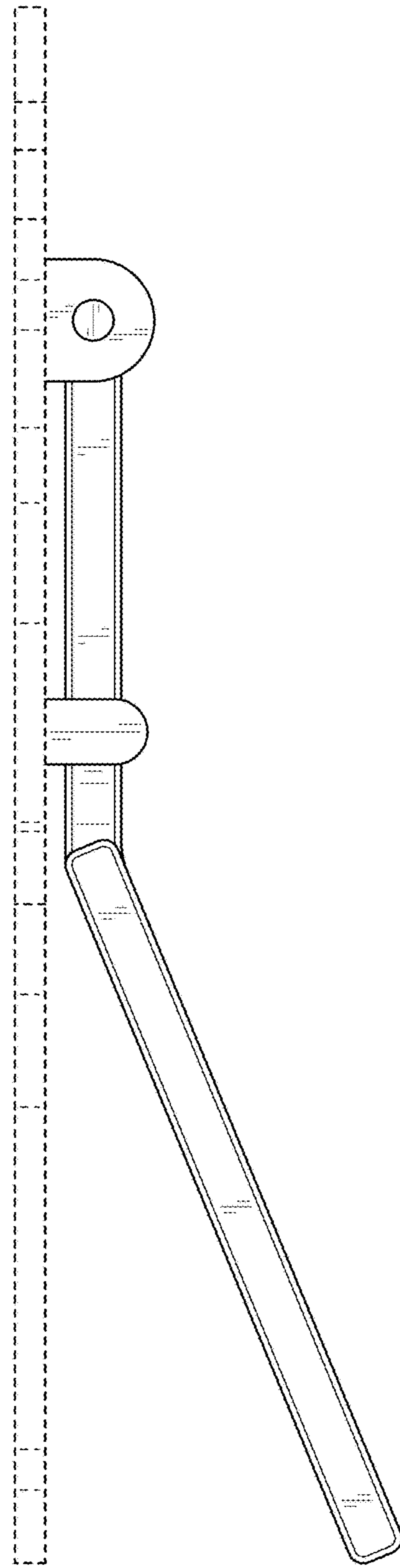


FIG. 5

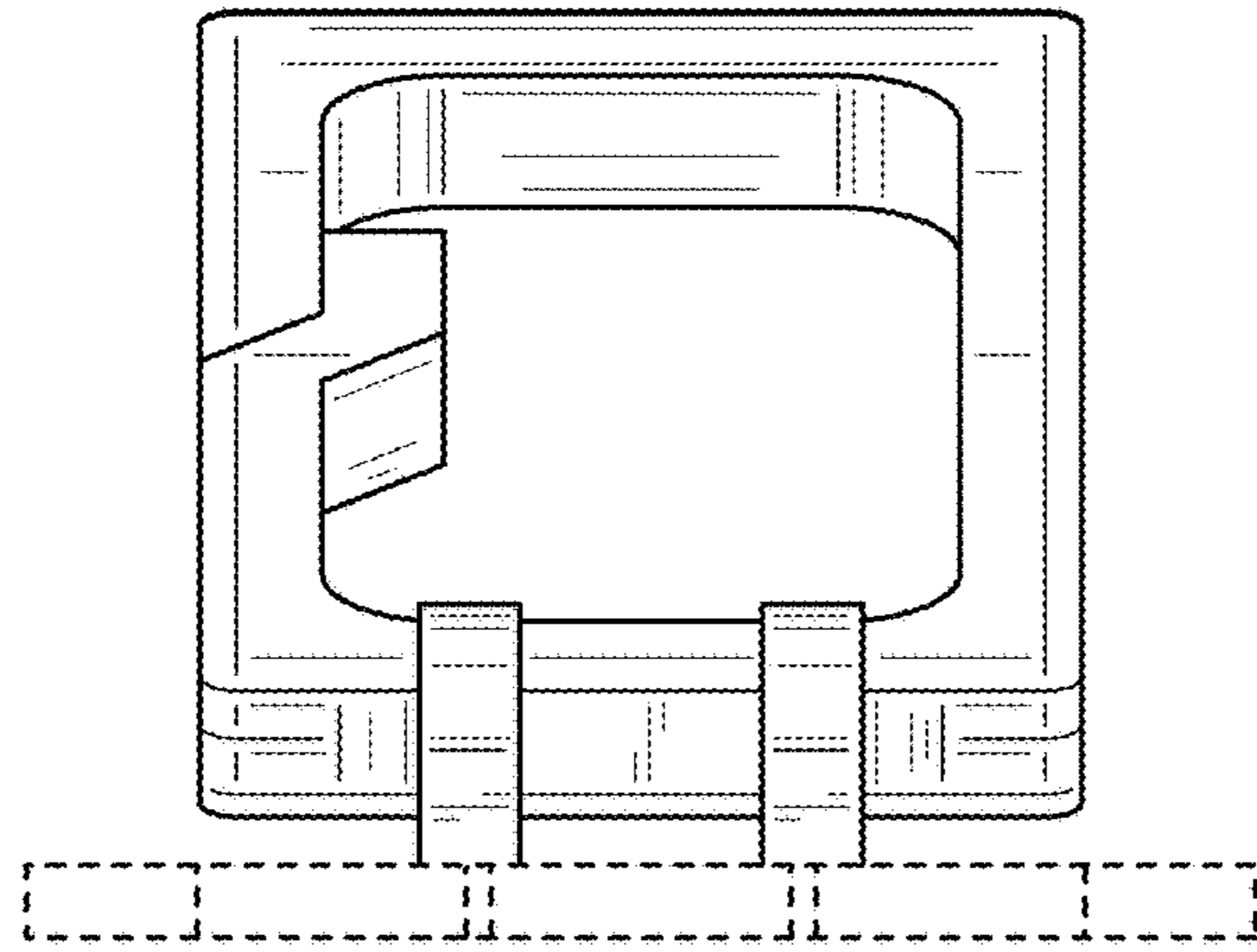


FIG. 6

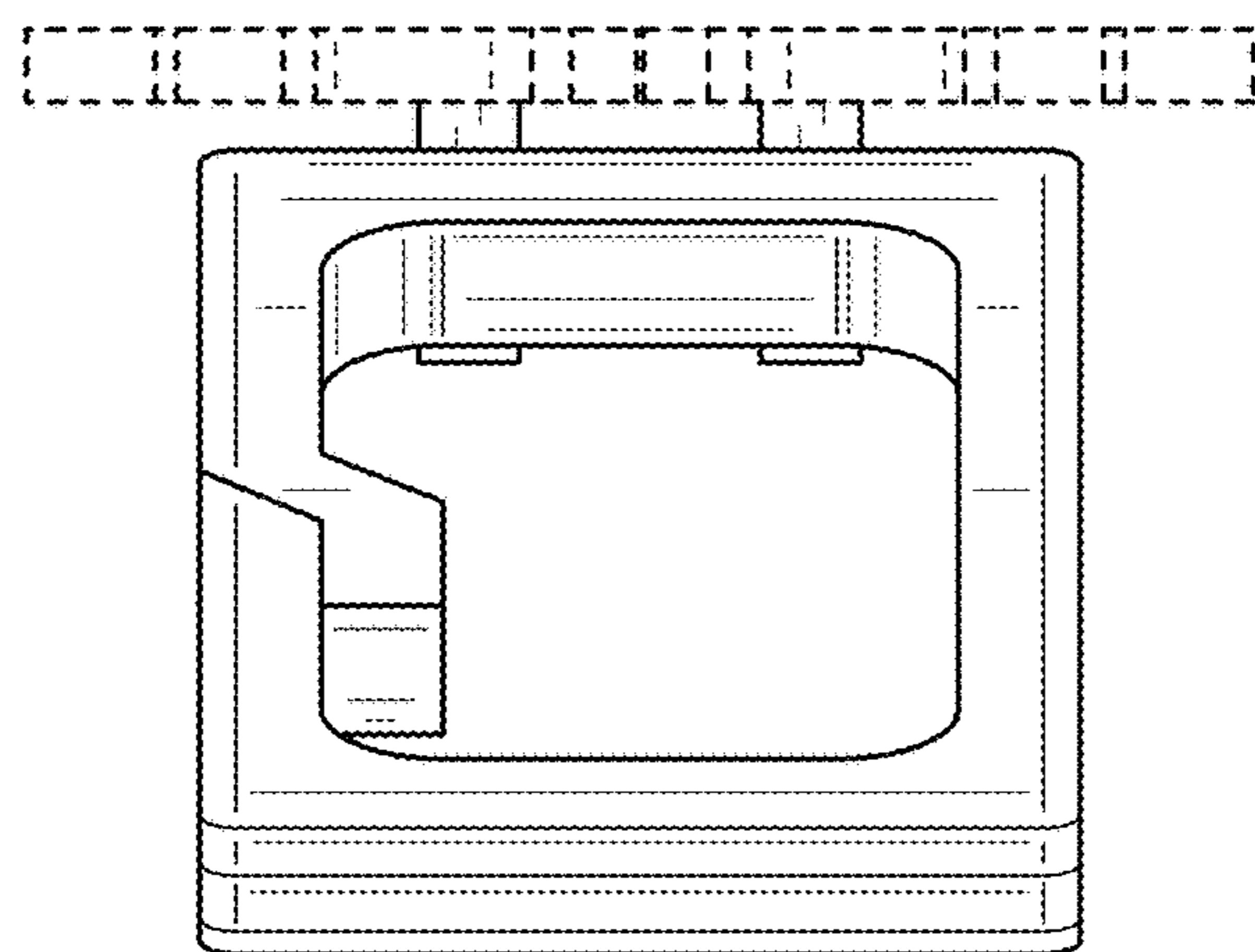


FIG. 7

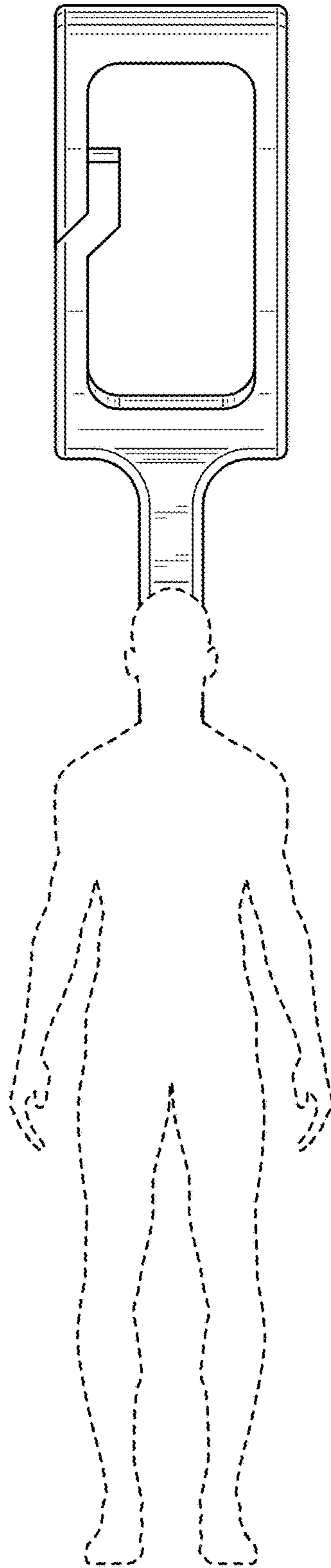


FIG. 8

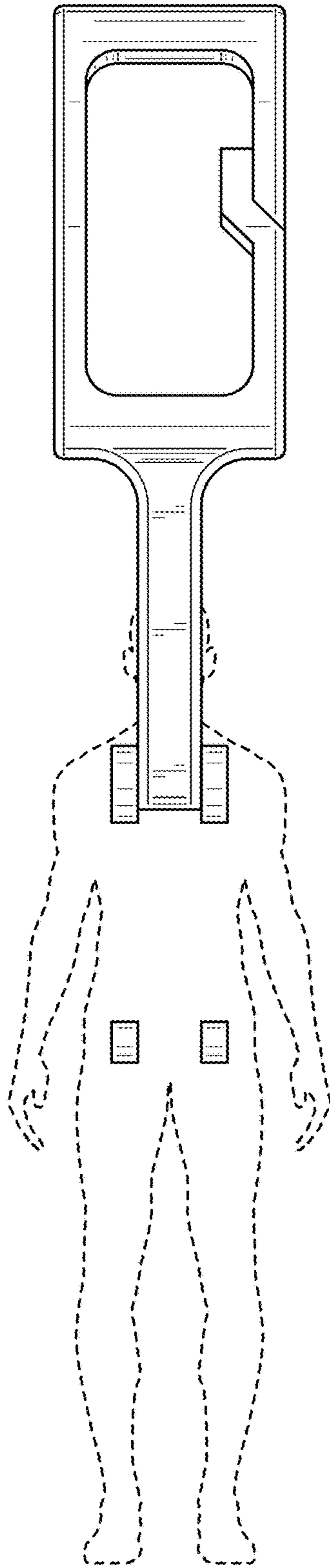


FIG. 9