



US00D813708S

(12) **United States Design Patent** (10) **Patent No.:** **US D813,708 S**
Lane (45) **Date of Patent:** **** Mar. 27, 2018**

(54) **EARRING**
(71) Applicant: **Kevin Lane**, San Diego, CA (US)
(72) Inventor: **Kevin Lane**, San Diego, CA (US)
(**) Term: **15 Years**
(21) Appl. No.: **29/578,943**
(22) Filed: **Sep. 26, 2016**
(51) **LOC (11) Cl.** **11-01**
(52) **U.S. Cl.**
USPC **D11/40**
(58) **Field of Classification Search**
USPC D11/1, 2, 7, 8, 40-86, 91, 92
CPC A44C 7/00; A44C 7/002; A44C 7/003;
A44C 7/004; A44C 7/005; A44C 7/006;
A44C 7/007; A44C 7/008; A44C 7/009;
A44C 17/02; A44C 17/0208; A44C
17/0216; A44C 17/0255; A44C 17/0233;
A44C 17/0241; A44C 17/025; A44C
17/0258; A44C 17/0266; A44C 25/00;
A44C 25/001; A44C 25/007; A44C 1/00;
A44C 3/00
See application file for complete search history.

(56) **References Cited**
U.S. PATENT DOCUMENTS
D391,516 S * 3/1998 Kothari D11/40
D403,611 S * 1/1999 Lai D11/91
D411,134 S * 6/1999 Lai D11/92
D431,204 S * 9/2000 Gurevich D11/92

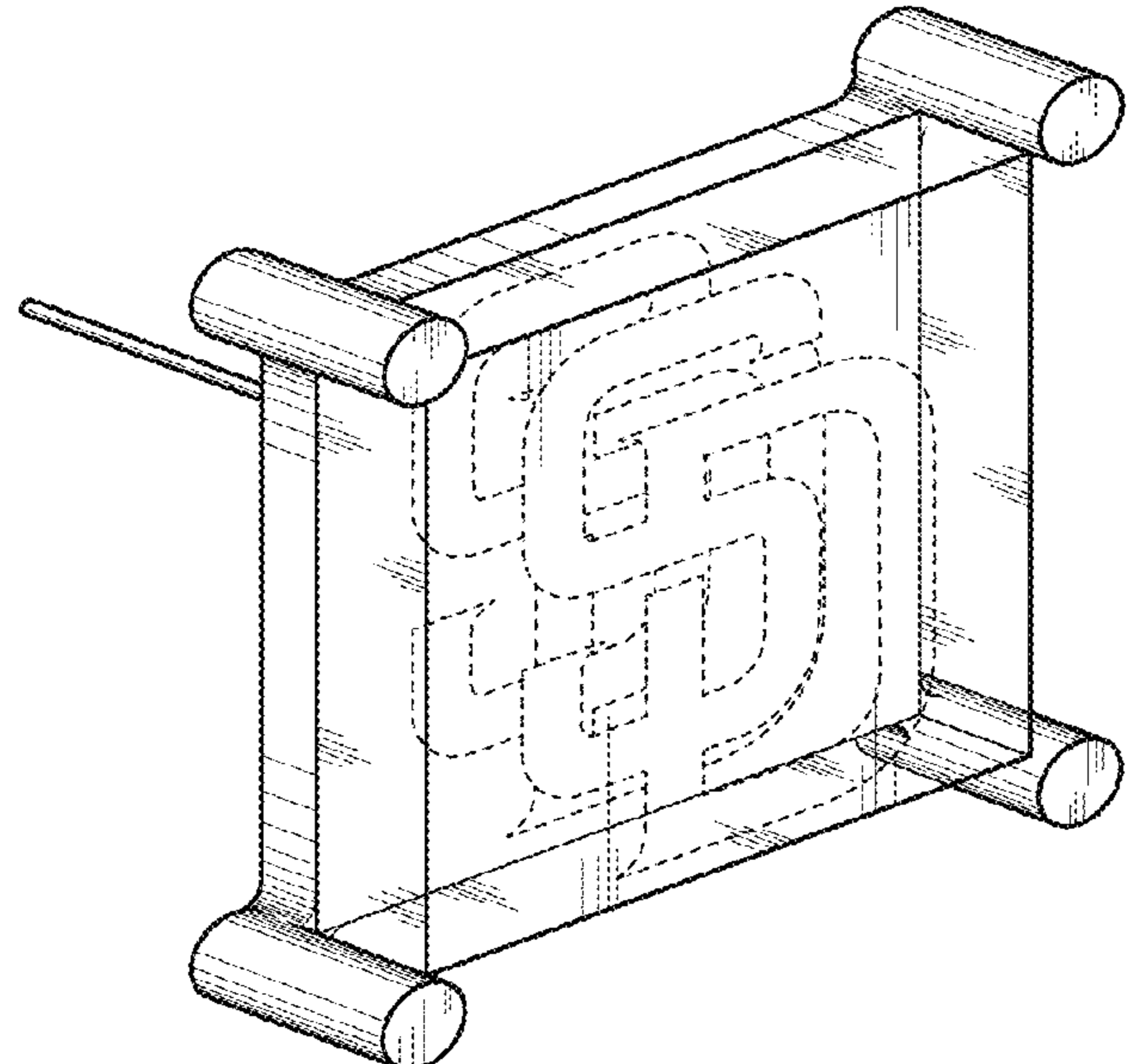
6,146,723 A * 11/2000 Arends A44C 17/00
427/260
D447,080 S * 8/2001 Itzkowitz D11/26
D453,706 S * 2/2002 Lai D11/91
D468,228 S * 1/2003 Gurevich D11/91
D473,816 S * 4/2003 Gurevich D11/91
D484,068 S * 12/2003 Pachachi D11/79
D642,088 S * 7/2011 Kothari D11/40

* cited by examiner
Primary Examiner — Melanie Pellegrini
(74) *Attorney, Agent, or Firm* — Buche & Associates,
P.C.; John K. Buche; Bryce A. Johnson

(57) **CLAIM**
I claim the ornamental design for an “earring,” as shown.

DESCRIPTION
FIG. 1 is a perspective view of an earring showing my new design;
FIG. 2 is front view of the earring of FIG. 1;
FIG. 3 is a back view of the earring of FIG. 1;
FIG. 4 is a left side view of the earring of FIG. 1;
FIG. 5 is a right side view of the earring of FIG. 1;
FIG. 6 is a top view of the earring of FIG. 1;
FIG. 7 is a bottom view of the earring of FIG. 1; and,
FIG. 8 is an environmental view of the earring of FIG. 1.
Broken lines depict portions of the earring and environment that form no part of the claimed design.
The earring features a unique appearance over prior art, including uprights and a transparent block that shows a double image illusion when viewed at certain angles.

1 Claim, 4 Drawing Sheets



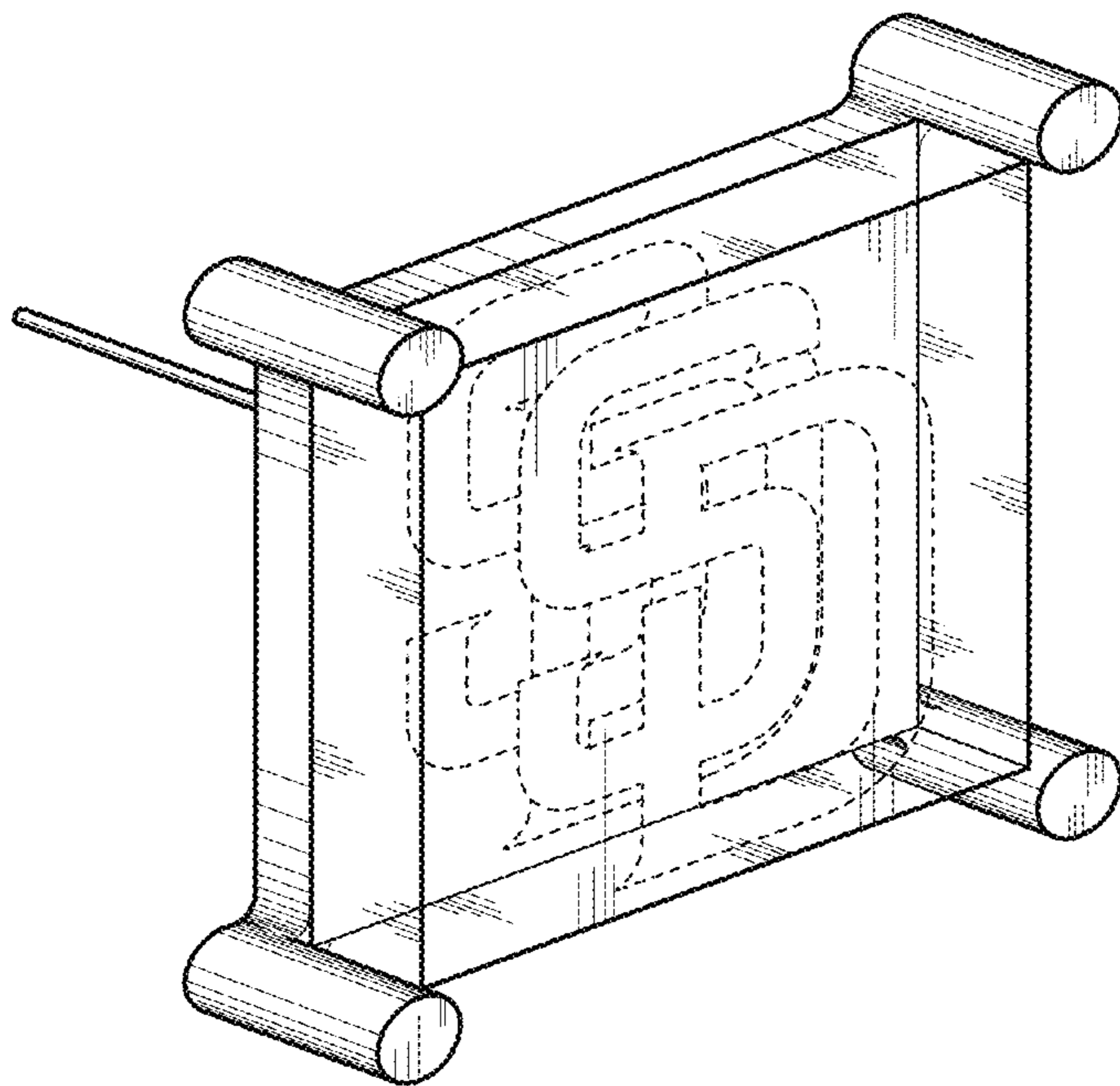


FIG. 1

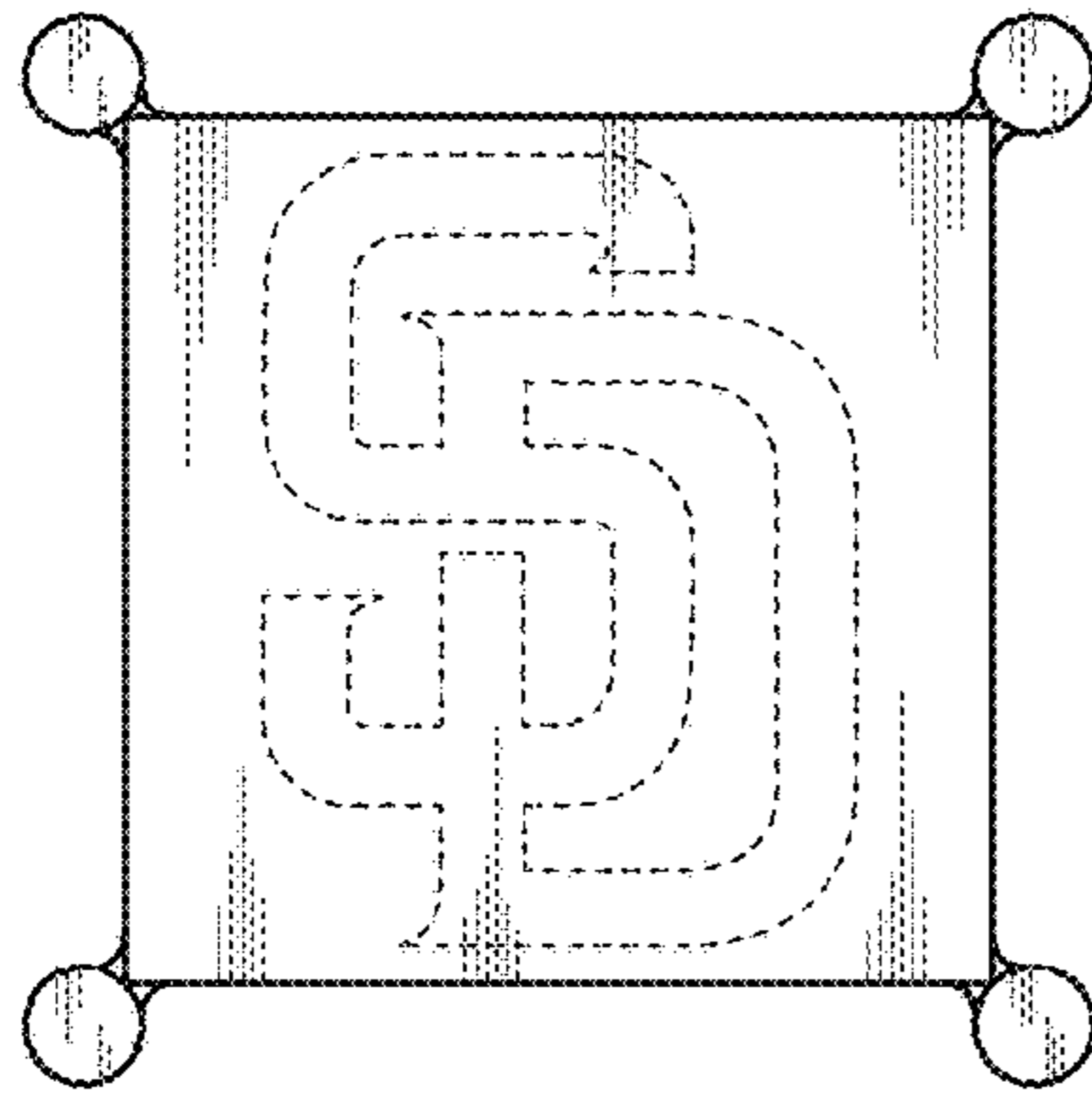


FIG. 2

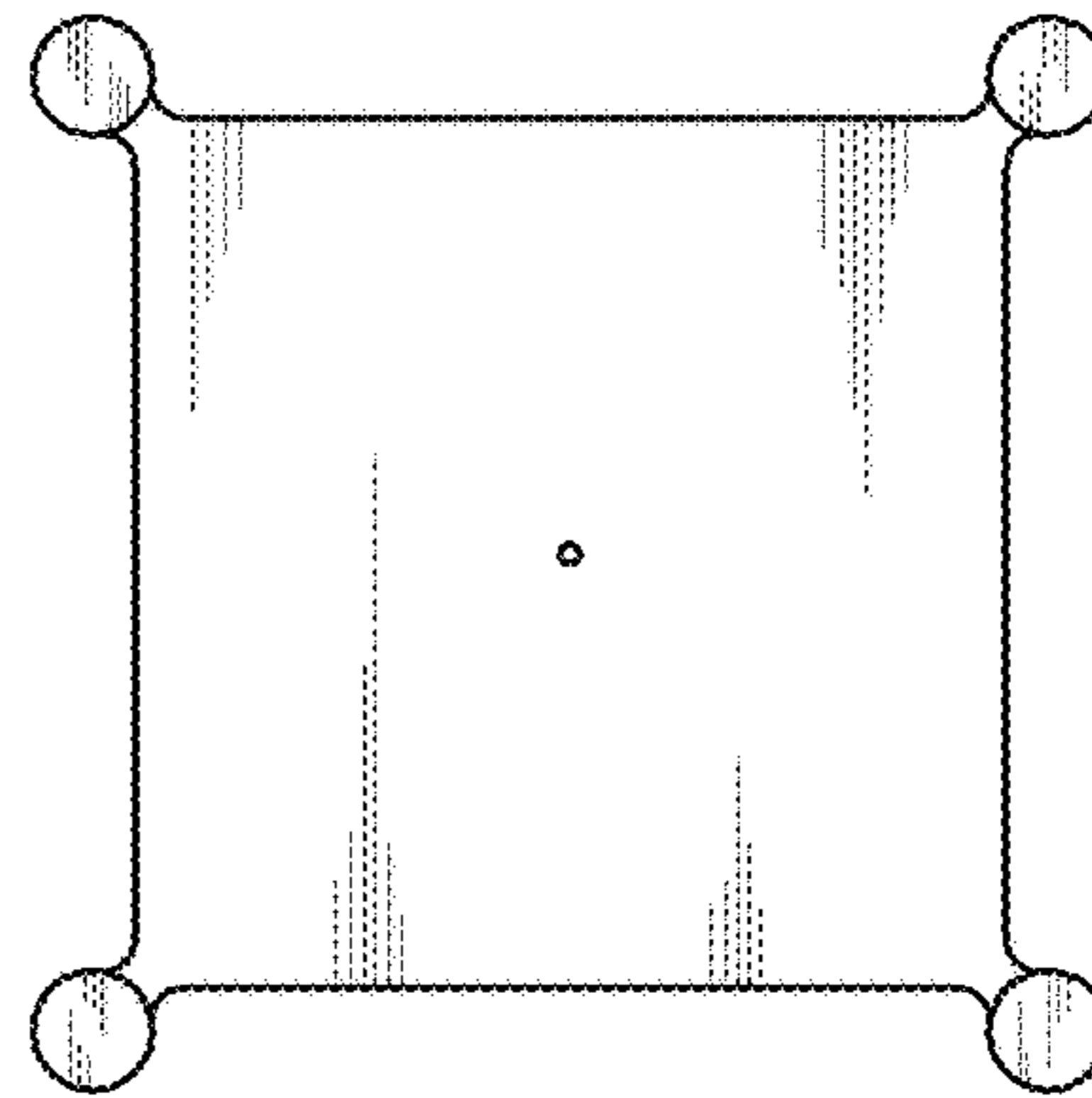


FIG. 3

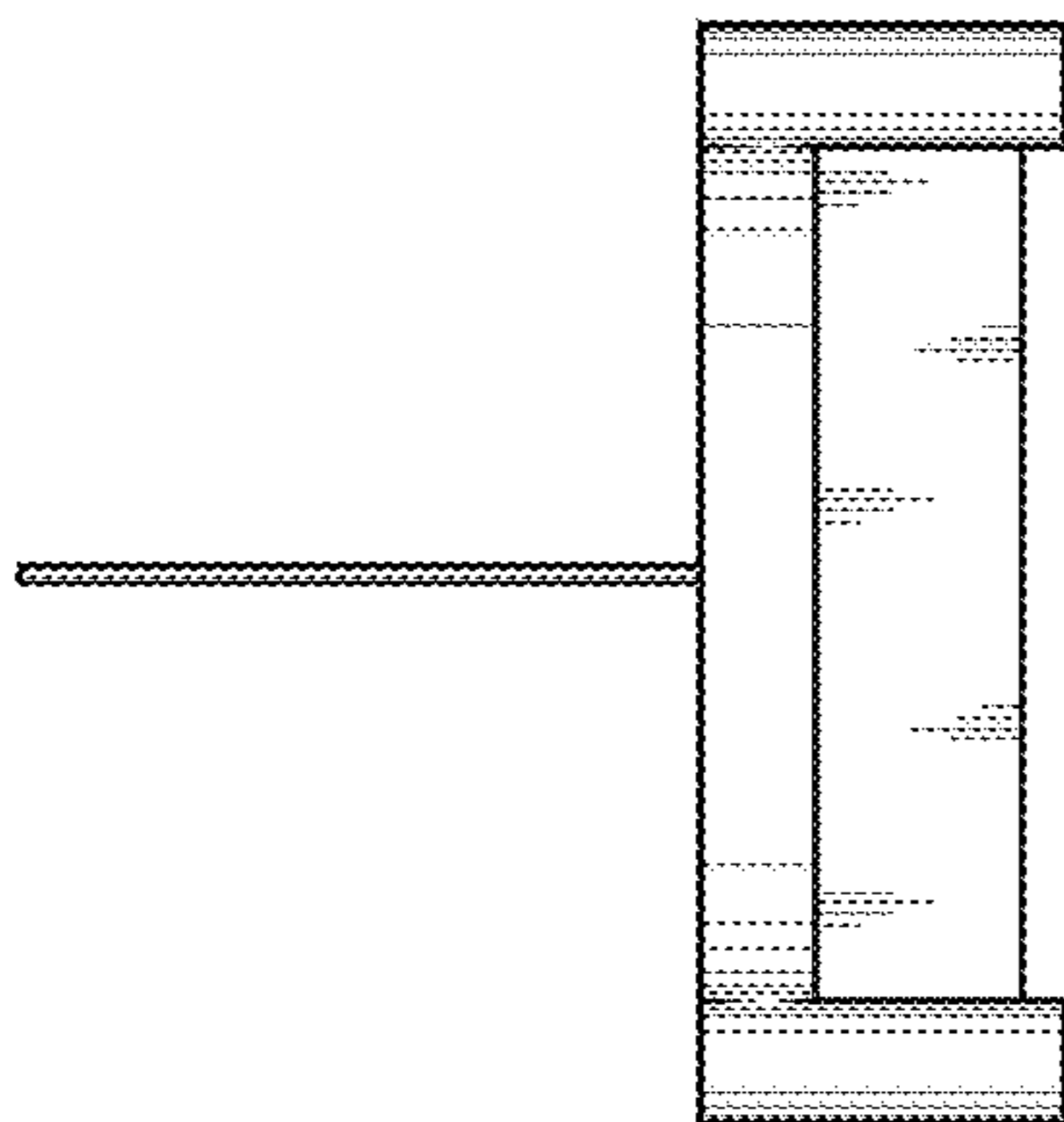


FIG. 4

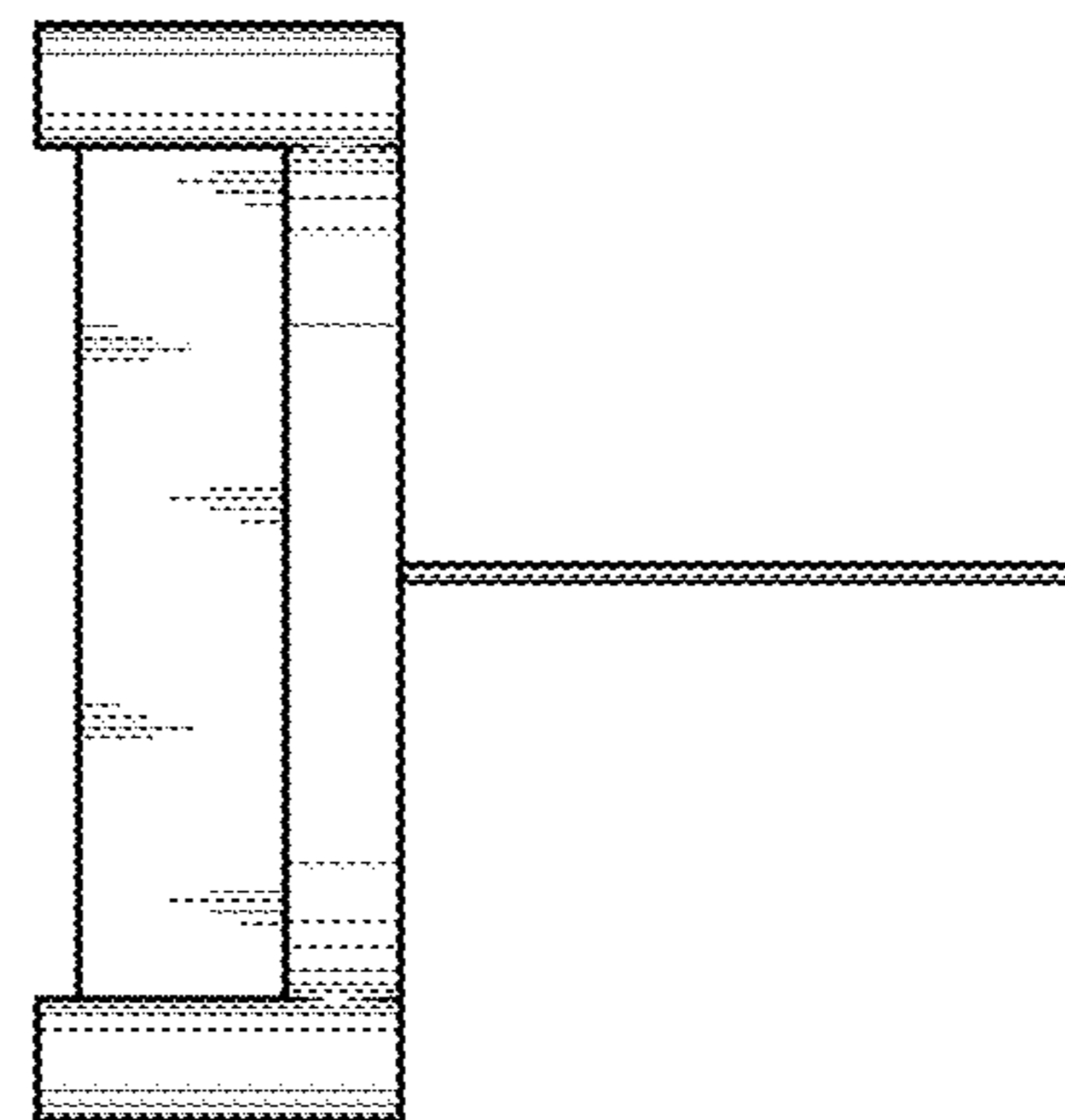


FIG. 5

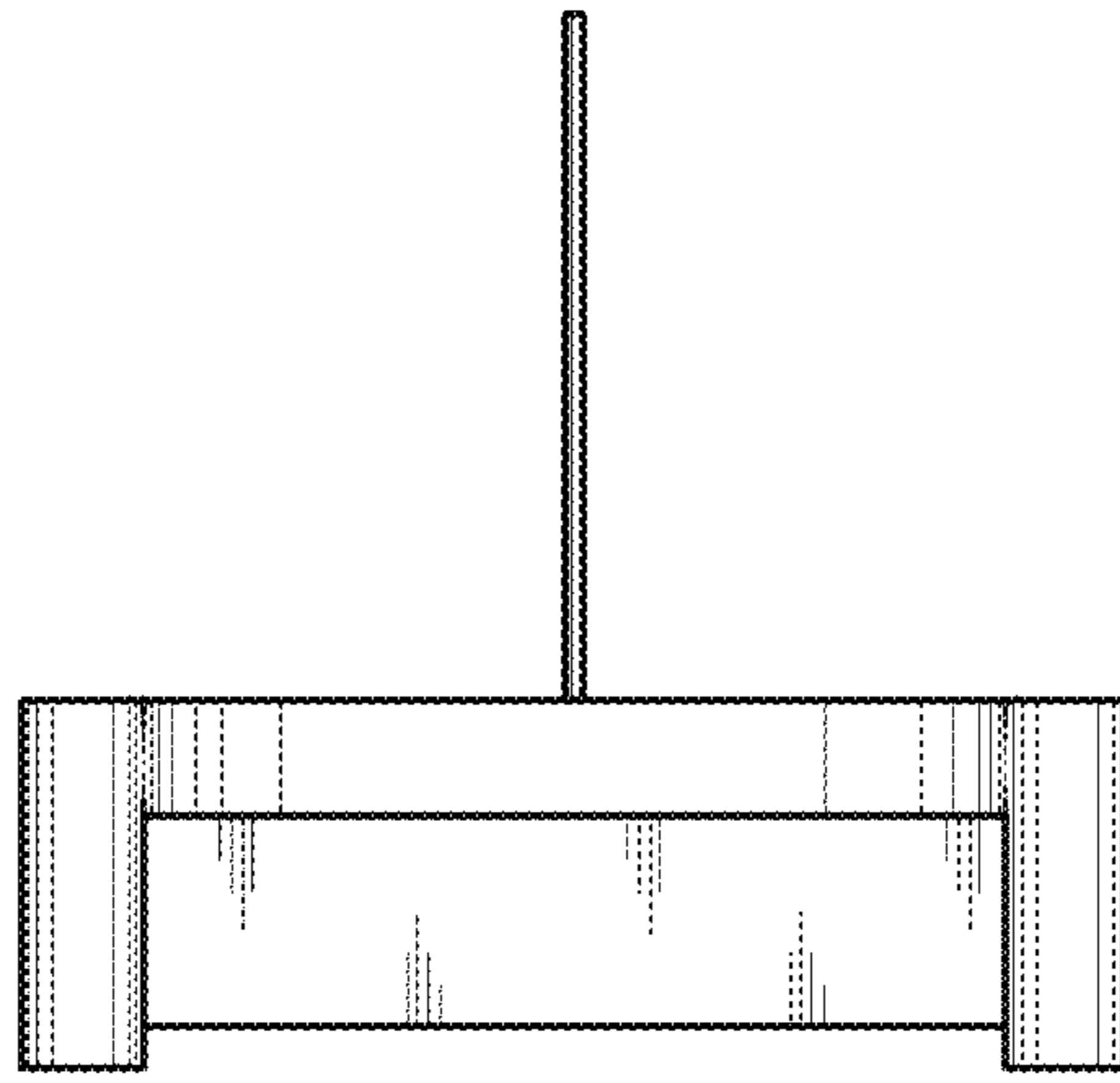


FIG. 6

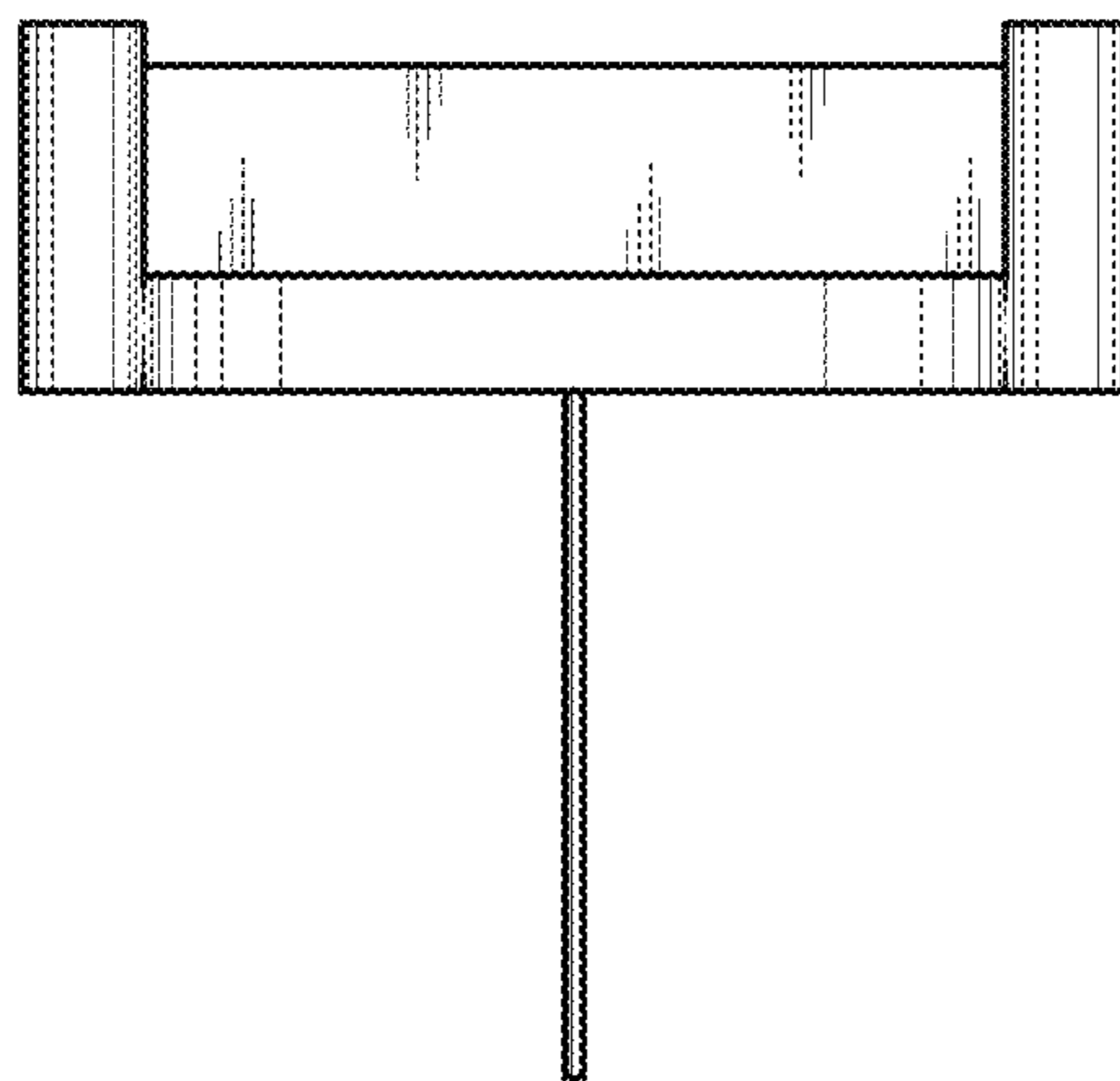


FIG. 7

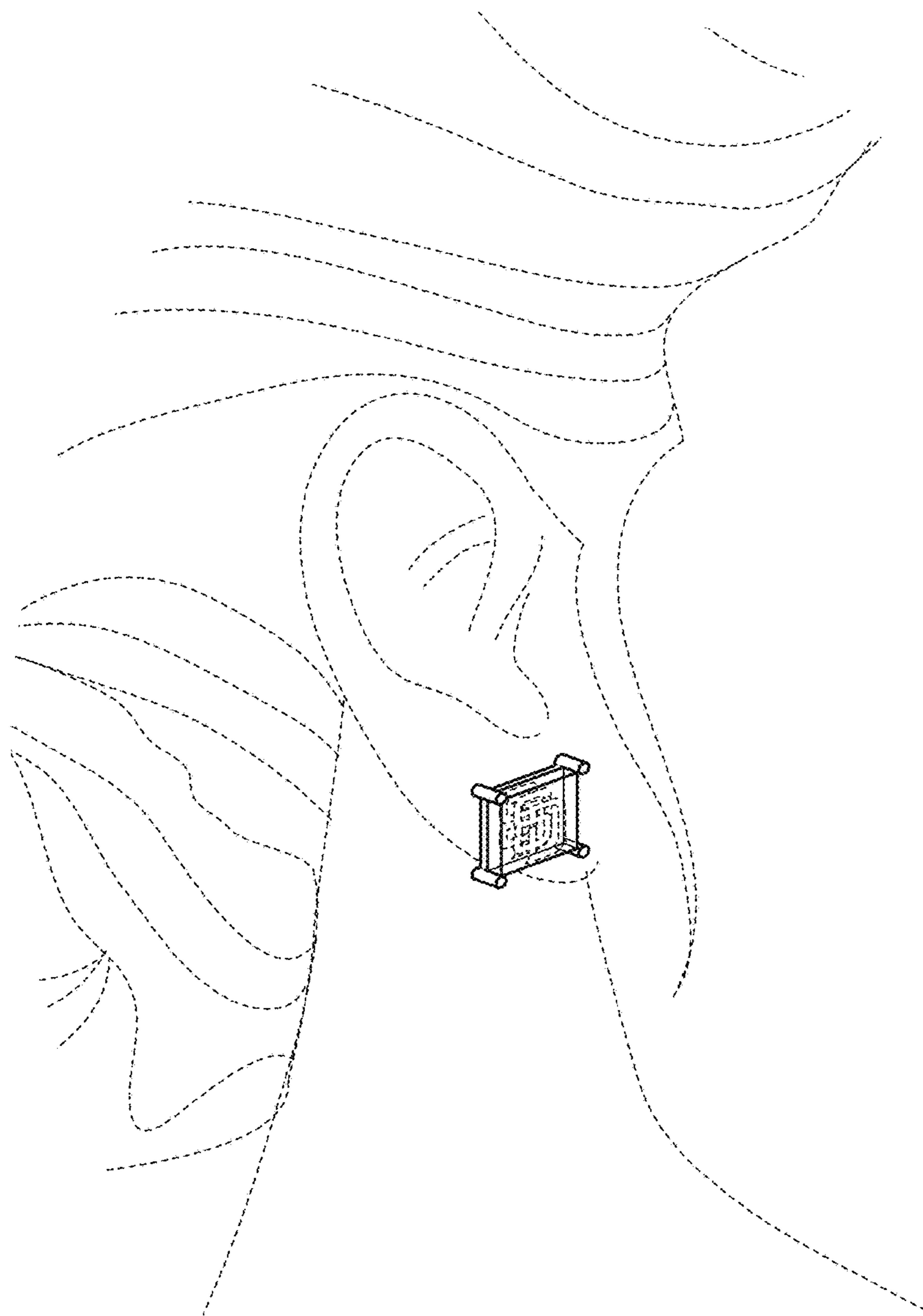


FIG. 8