



US00D813706S

(12) **United States Design Patent**
Bonner

(10) **Patent No.:** **US D813,706 S**
(45) **Date of Patent:** **** Mar. 27, 2018**

- (54) **JEWELRY PRODUCT**
- (71) Applicant: **Robert Jason Bonner**, Miramar, FL (US)
- (72) Inventor: **Robert Jason Bonner**, Miramar, FL (US)
- (73) Assignee: **National Chain Company**, Warwick, RI (US)
- (**) Term: **15 Years**
- (21) Appl. No.: **29/542,865**
- (22) Filed: **Oct. 19, 2015**
- (51) **LOC (11) Cl.** **11-01**
- (52) **U.S. Cl.**
USPC **D11/26**
- (58) **Field of Classification Search**
USPC D11/1-39, 40, 41, 42, 43, 44, 91, 92;
D8/387; D23/243, 250, 245, 235, 262
CPC A44C 5/00; A44C 5/0007; A44C 5/0084;
A44C 5/0092; A44C 5/10; A44C 5/102;
A44C 5/105; A44C 5/107; A44C 5/12;
A44C 5/14; A44C 1/00; A44C 7/00;
A44C 7/002; A44C 7/003; A44C 7/004;
A44C 11/00; A44C 11/007; A44C 13/00;
A44C 25/00; A44C 25/001; A44C
25/007; A44C 17/02; A44C 17/0241;
A44C 17/0266; A44C 17/0175; A44C
9/00; A44C 9/0007; A44C 9/0015; A44C
9/0023; A44C 9/003; A44C 9/0038; A44C
9/0046; A44C 9/0053; A44C 9/0061;
A44C 9/0069; A44C 9/0076; A44C
9/0084; A44C 9/02; A44C 15/001; A44C
15/005; A44C 15/0055
See application file for complete search history.

- 4,726,200 A * 2/1988 Carter A44C 9/00
63/15
- 4,977,757 A * 12/1990 Mesica A44C 9/00
63/15
- 5,950,456 A * 9/1999 Kirsch, Jr. A44C 9/00
63/15
- 5,996,374 A * 12/1999 Bardisbanyan A44C 9/00
63/15
- 6,318,122 B1 * 11/2001 Burgard A44C 9/00
63/15
- 6,612,132 B2 * 9/2003 Kimura A44C 17/0275
63/15

(Continued)

OTHER PUBLICATIONS

[Online] <http://www.seawear.com/images/bracelets/shackles-197~103.jpg>. Retrieved Oct. 1, 2017.*

Primary Examiner — Melanie Pellegrini
(74) *Attorney, Agent, or Firm* — Salter & Michaelson

(57) **CLAIM**

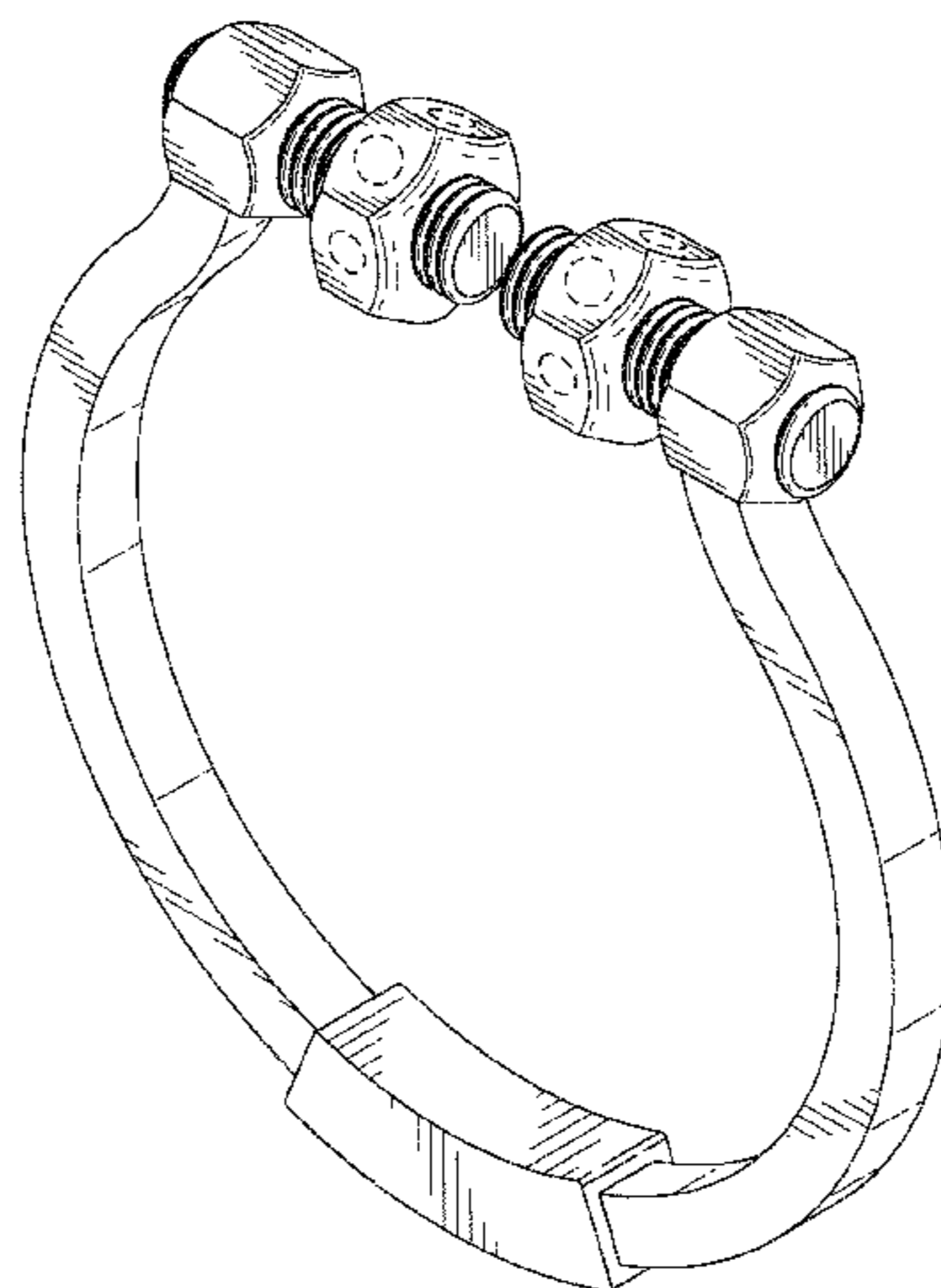
The ornamental design for a jewelry product, as shown and described.

DESCRIPTION

FIG. 1 is a perspective view of a jewelry product;
FIG. 2 is a front elevational view thereof;
FIG. 3 is a rear elevational view thereof;
FIG. 4 is a left side elevational view thereof;
FIG. 5 is a right side elevational view thereof;
FIG. 6 is a top plan view thereof;
FIG. 7 is a bottom plan view thereof; and,
FIG. 8 is a perspective view showing a different position thereof.
The broken lines shown in the drawing views represent portions of the jewelry product which form no part of the claimed design.

1 Claim, 6 Drawing Sheets

- (56) **References Cited**
U.S. PATENT DOCUMENTS
D48,250 S * 12/1915 Kuehn D11/200
1,920,875 A * 8/1933 Miskend A44C 9/00
24/507



(56)

References Cited

U.S. PATENT DOCUMENTS

D563,257 S * 3/2008 Schumacher D11/26
D626,446 S * 11/2010 Katzir D11/26
2011/0179825 A1* 7/2011 Katzir A44C 9/00
63/15.1
2014/0102138 A1* 4/2014 Azar A44C 5/12
63/15

* cited by examiner

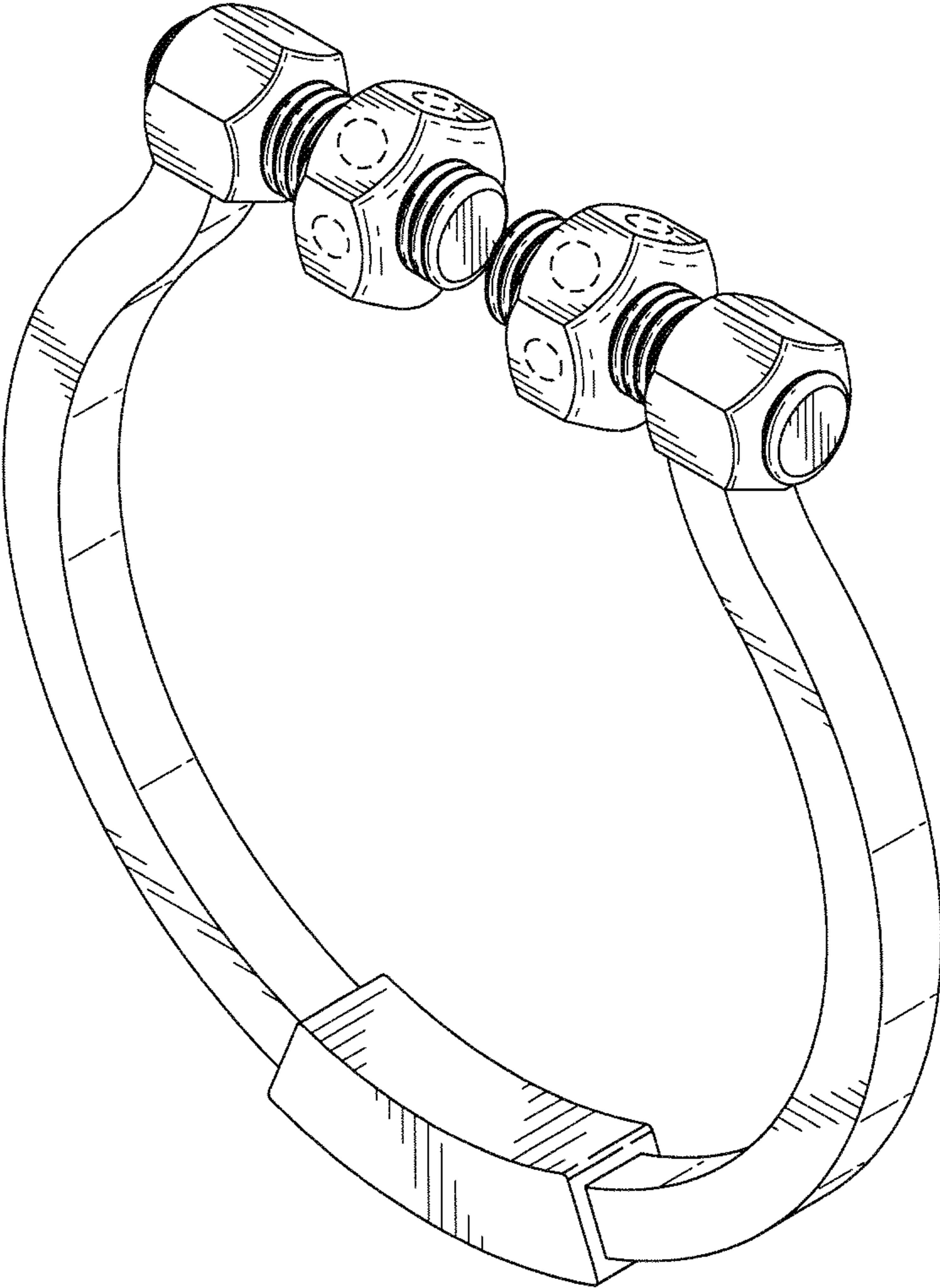


FIG. 1

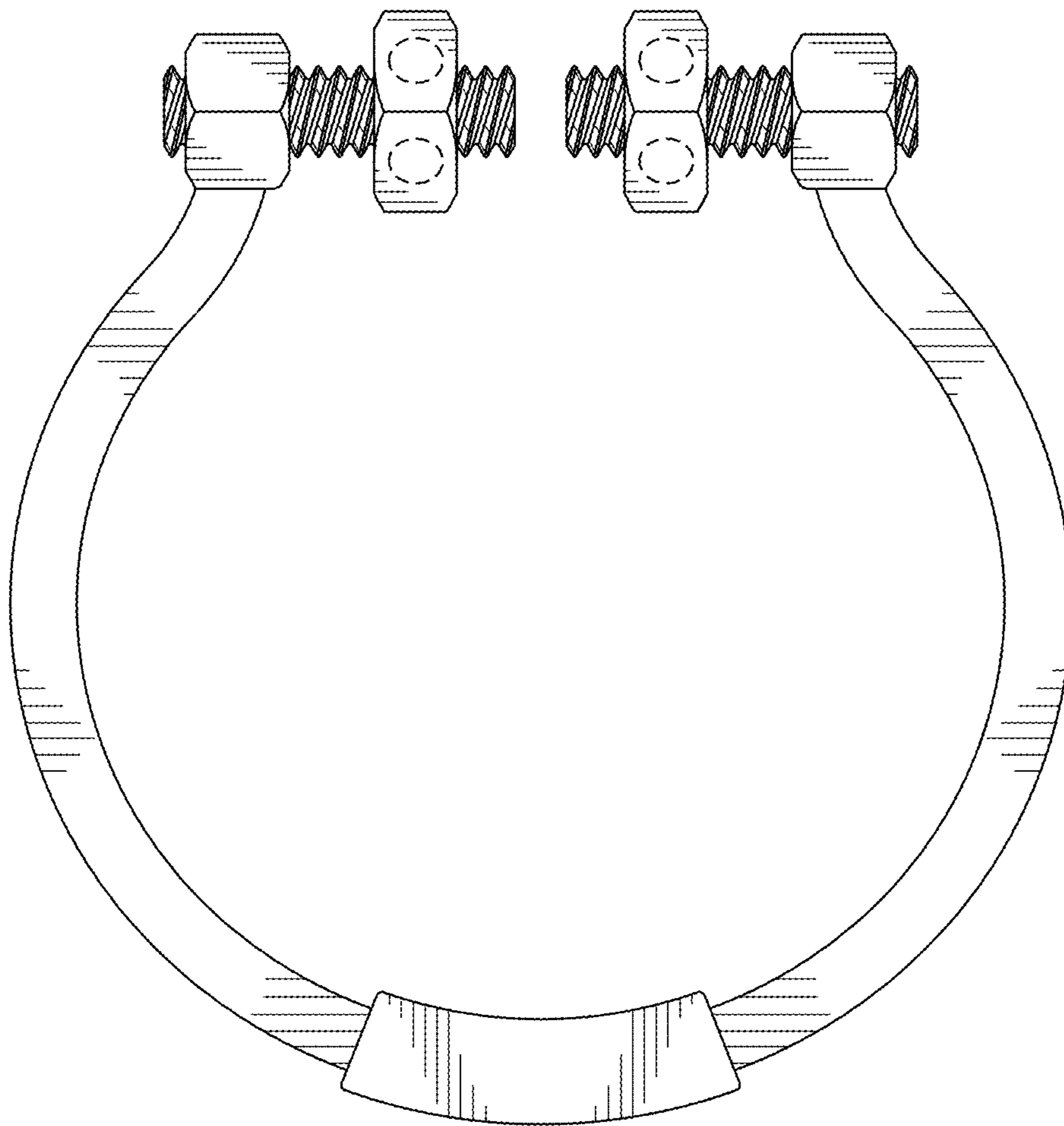


FIG. 2

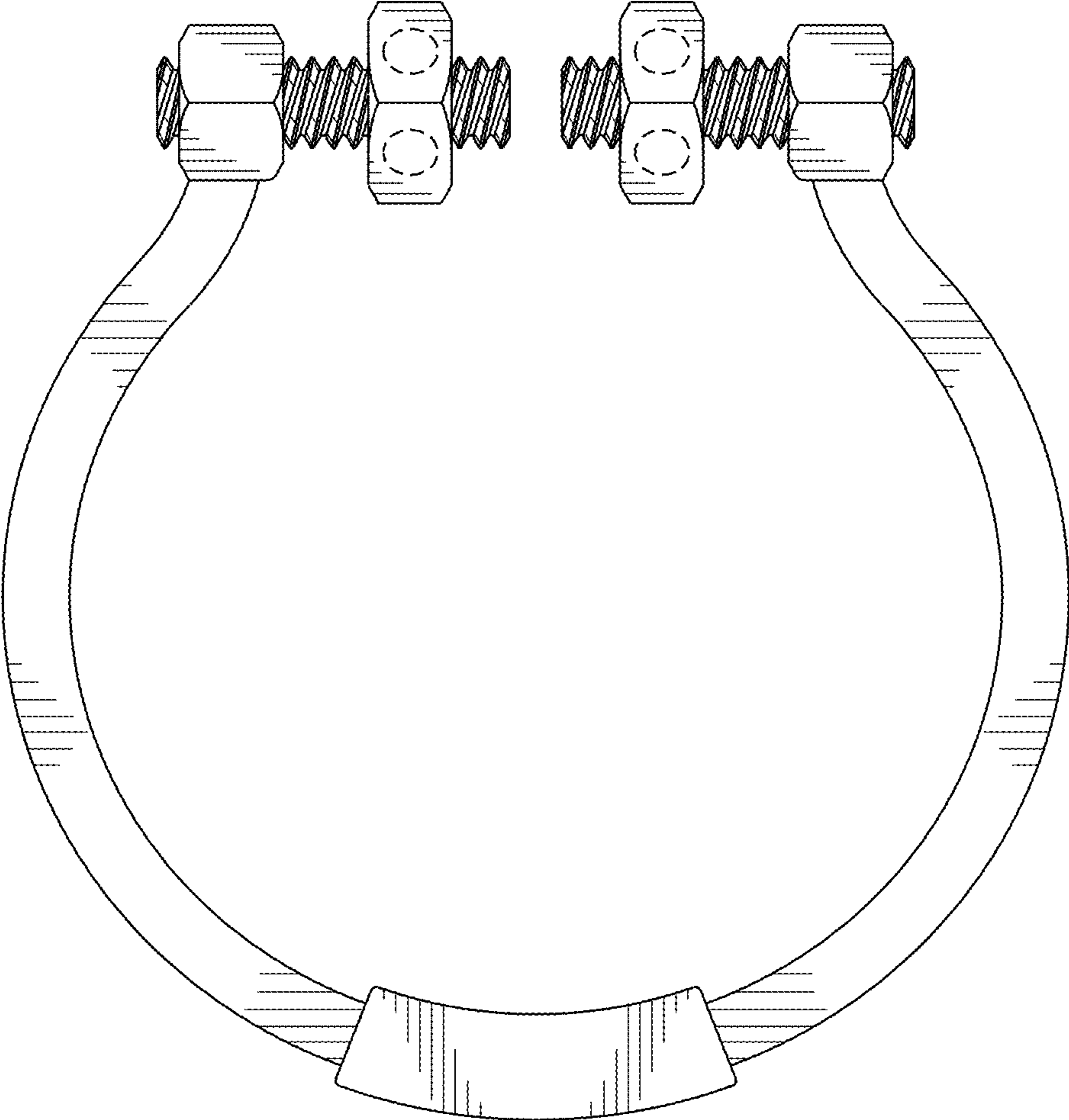


FIG. 3

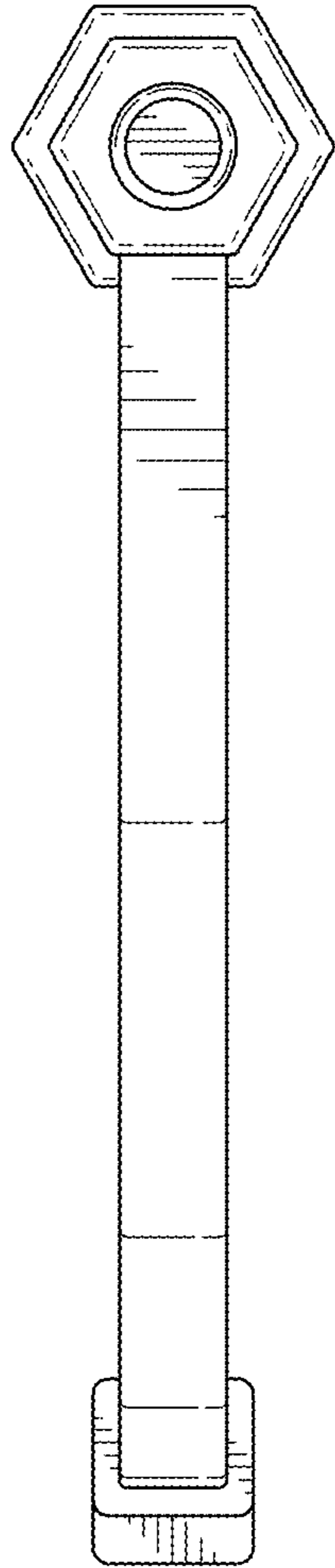


FIG. 4

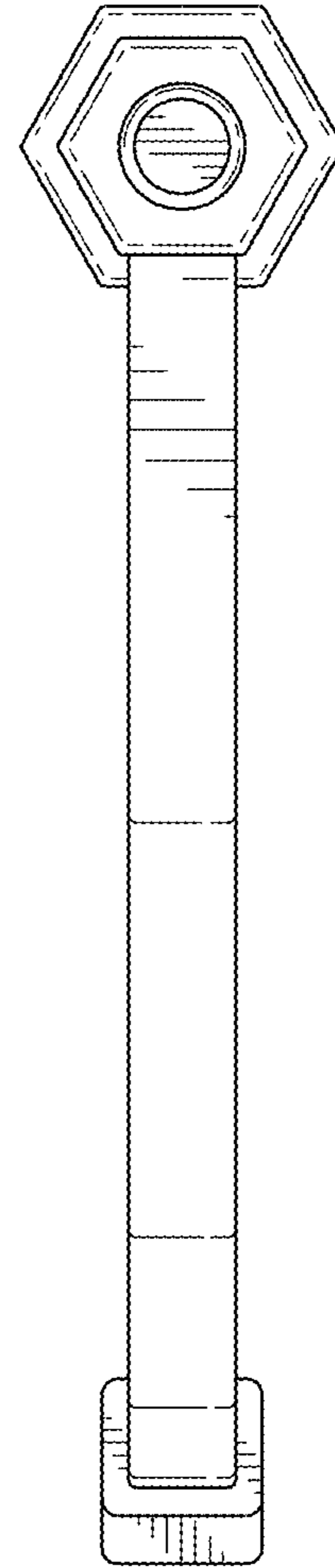


FIG. 5

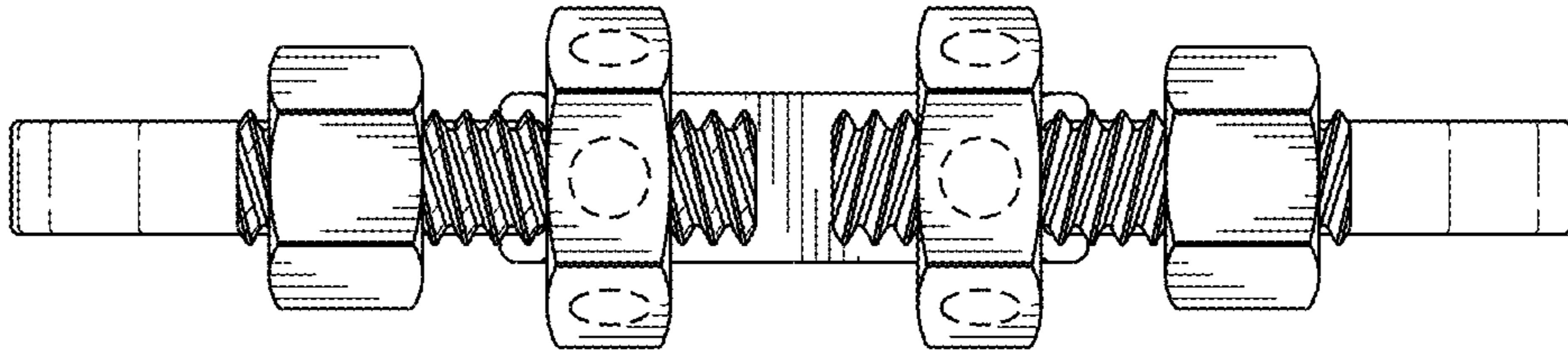


FIG. 6

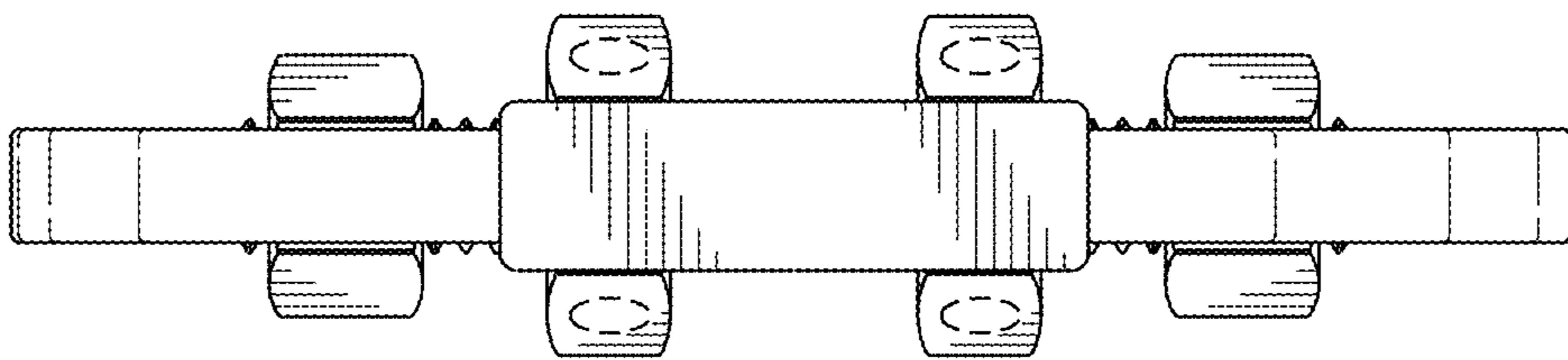


FIG. 7

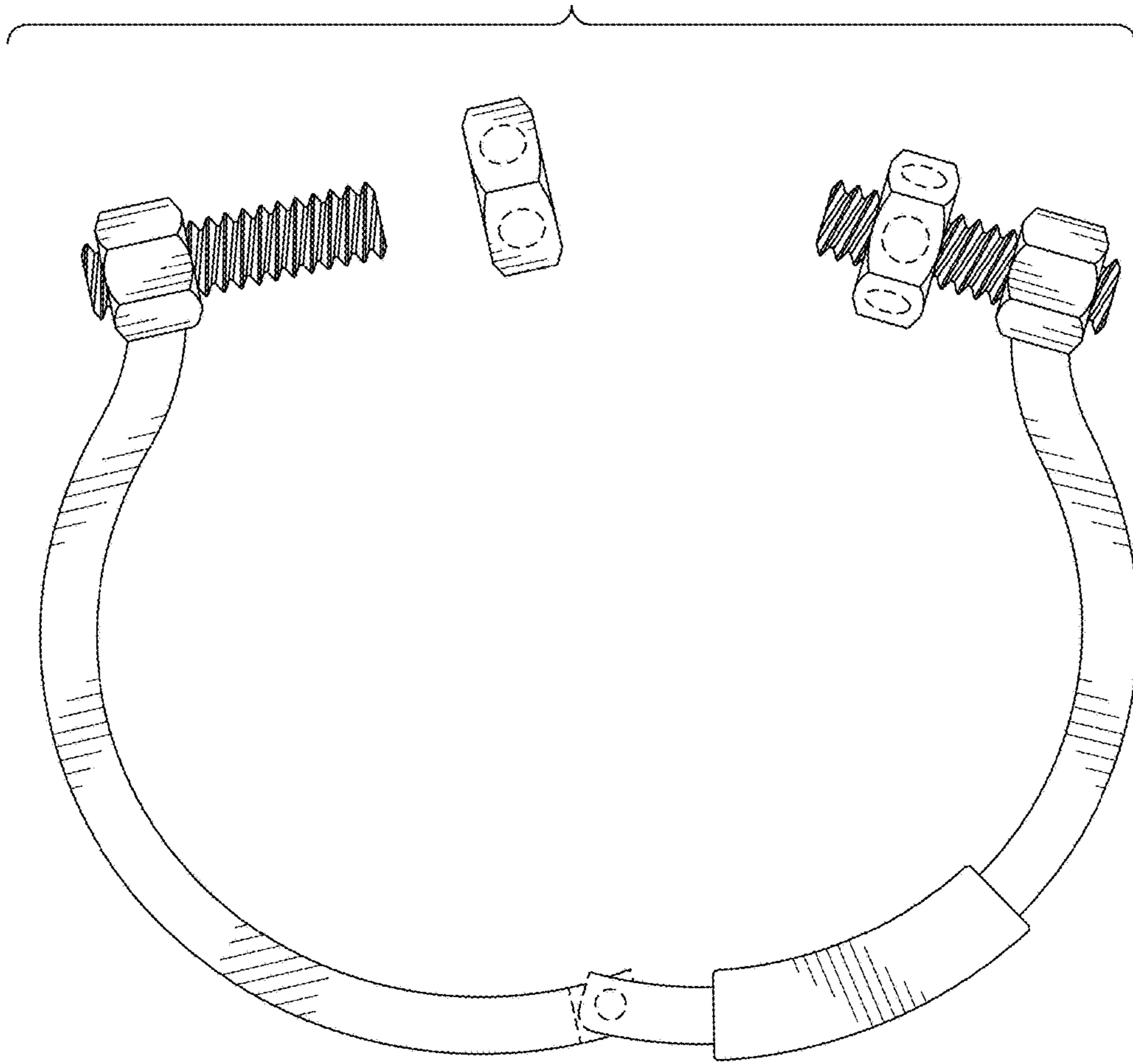


FIG. 8