



US00D813705S

(12) **United States Design Patent**  
**Ferguson**

(10) **Patent No.:** **US D813,705 S**  
(45) **Date of Patent:** **\*\* Mar. 27, 2018**

(54) **WATCH BAND**

17/285; G04B 37/18; G04B 37/081;  
G04B 37/082

(71) Applicant: **Johanna Brea Ferguson**, Chicago, IL  
(US)

See application file for complete search history.

(72) Inventor: **Johanna Brea Ferguson**, Chicago, IL  
(US)

(73) Assignee: **XISTWEAR, LLC**, Chicago, IL (US)

(\*\*) Term: **15 Years**

(21) Appl. No.: **29/535,535**

(22) Filed: **Aug. 7, 2015**

(51) **LOC (11) Cl.** ..... **11-01**

(52) **U.S. Cl.**  
USPC ..... **D11/19**

(58) **Field of Classification Search**

USPC ..... D11/1-26, 86, 87, 93, 94; D10/70, 98,  
D10/32, 38, 30, 31, 33, 34, 35, 36, 37,  
D10/39; D24/167, 200; D14/344;  
D3/203.1, 215, 218, 201  
CPC ..... A44C 5/00; A44C 5/0007; A44C 5/0015;  
A44C 5/0023; A44C 5/003; A44C  
5/0038; A44C 5/0053; A44C 5/0061;  
A44C 5/0069; A44C 5/0076; A44C  
5/0084; A44C 5/0092; A44C 5/02; A44C  
5/025; A44C 5/027; A44C 5/08; A61B  
5/02405; G04B 19/04; G04B 19/06;  
G04B 19/065; G04B 19/23; G04B 19/08;  
G04B 19/10; G04B 19/12; G04B 19/24;  
G04B 19/26; G04B 19/268; G04B 19/30;  
G04B 37/084; G04B 37/0008; G04B  
37/0058; G04B 37/1486; G04B 17/08;  
G04B 17/00; G04B 17/005; G04B

(56) **References Cited**

U.S. PATENT DOCUMENTS

- 1,808,140 A \* 6/1931 Kestenman ..... A44C 5/107  
59/80
- 2,338,332 A \* 1/1944 Jaten ..... A44C 5/0076  
57/225
- D157,293 S \* 2/1950 Schulz ..... D11/15
- 3,994,126 A \* 11/1976 Rieth ..... A44C 5/08  
59/35.1
- D248,740 S \* 8/1978 Harris ..... D11/19
- D254,845 S \* 4/1980 Young ..... D11/19
- D287,705 S \* 1/1987 Malamoud ..... D11/25
- D308,852 S \* 6/1990 Wakamatsu ..... D11/25
- D311,152 S \* 10/1990 Cowan ..... D11/19
- D330,871 S \* 11/1992 Cowan ..... D11/25
- D339,309 S \* 9/1993 Butler ..... D11/19
- D340,004 S \* 10/1993 Butler ..... D11/19

(Continued)

OTHER PUBLICATIONS

[Online] "Watchband for the 42mm Apple Watch." <https://www.rileeandlo.com/products/silver-band-for-42mm-apple-watch>. Retrieved Dec. 8, 2017.\*

*Primary Examiner* — Melanie Pellegrini  
(74) *Attorney, Agent, or Firm* — The Concept Law Group, PA; Scott D. Smiley

(57) **CLAIM**

The ornamental design for a watch band, as shown and described.

**DESCRIPTION**

FIG. 1 is a front and top perspective view of a watch band in accordance with the present design;  
FIG. 2 is a right side elevational view thereof;  
FIG. 3 is a left side elevational view thereof;  
FIG. 4 is a bottom plan view thereof;  
FIG. 5 is a top plan view thereof;

(Continued)

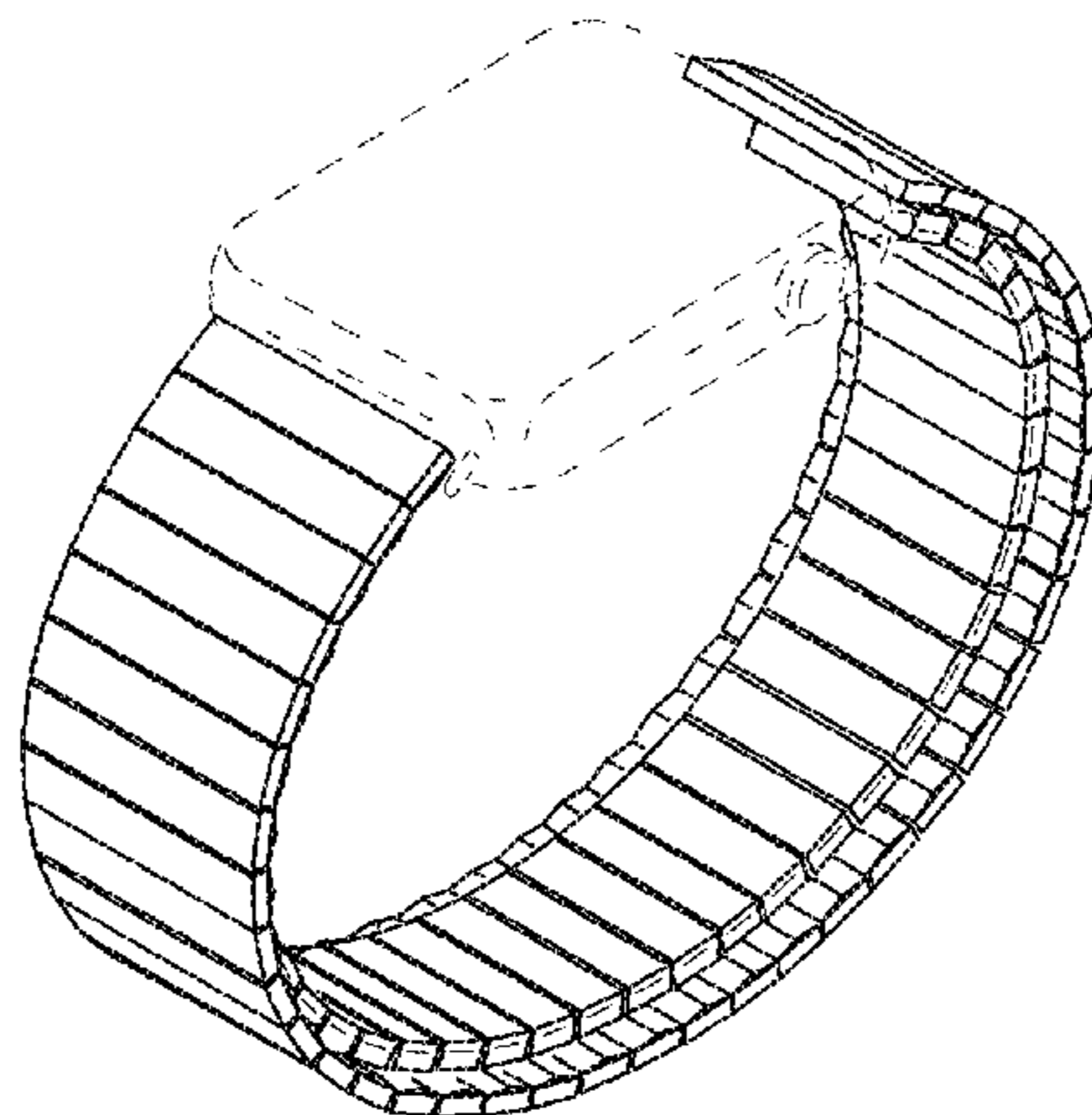


FIG. 6 is a rear elevational view thereof; and,  
 FIG. 7 is a front elevational view thereof.  
 The broken lines shown in the drawings illustrate environment and form no part of the claimed design.

**1 Claim, 2 Drawing Sheets**

(56)

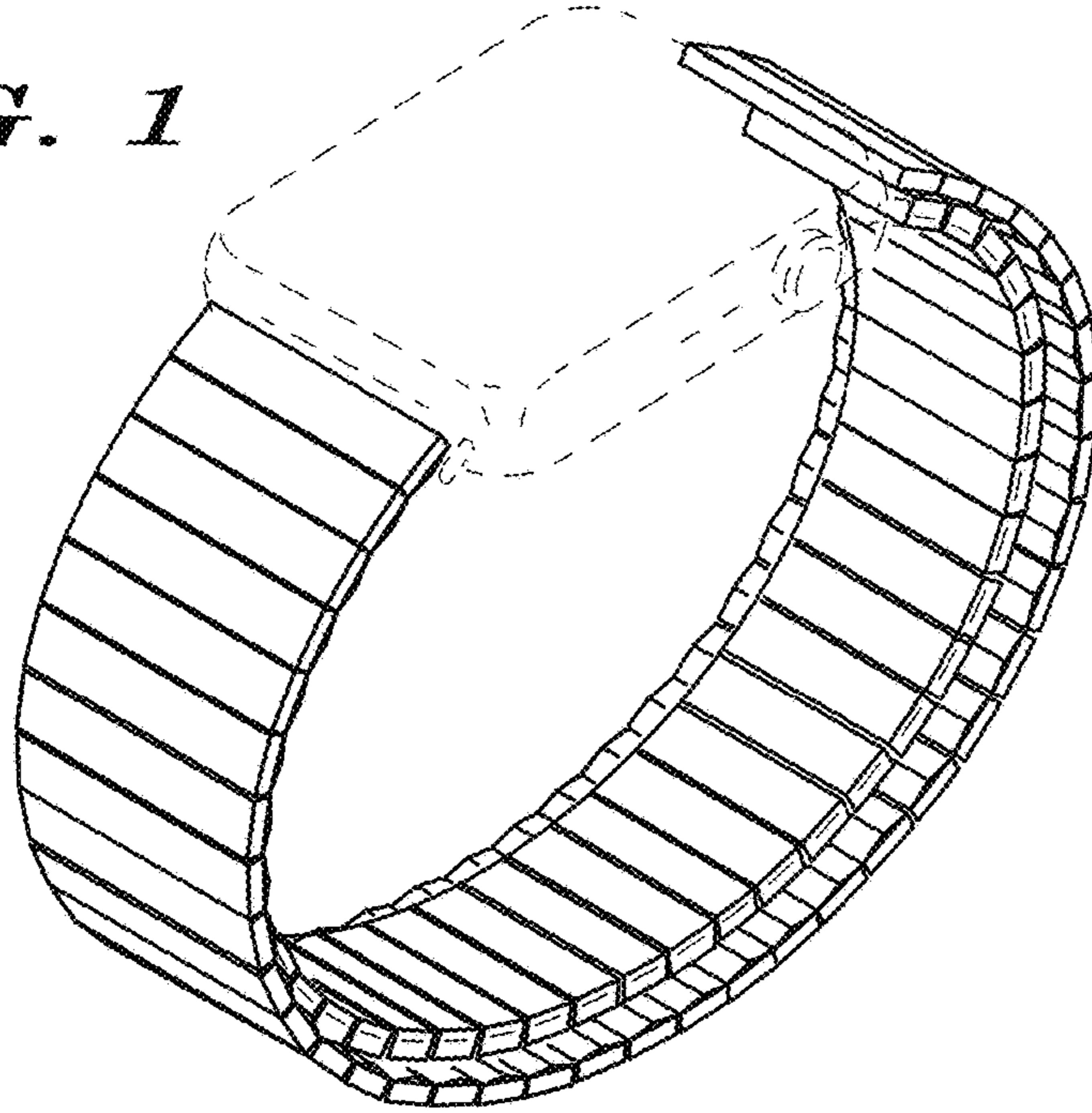
**References Cited**

U.S. PATENT DOCUMENTS

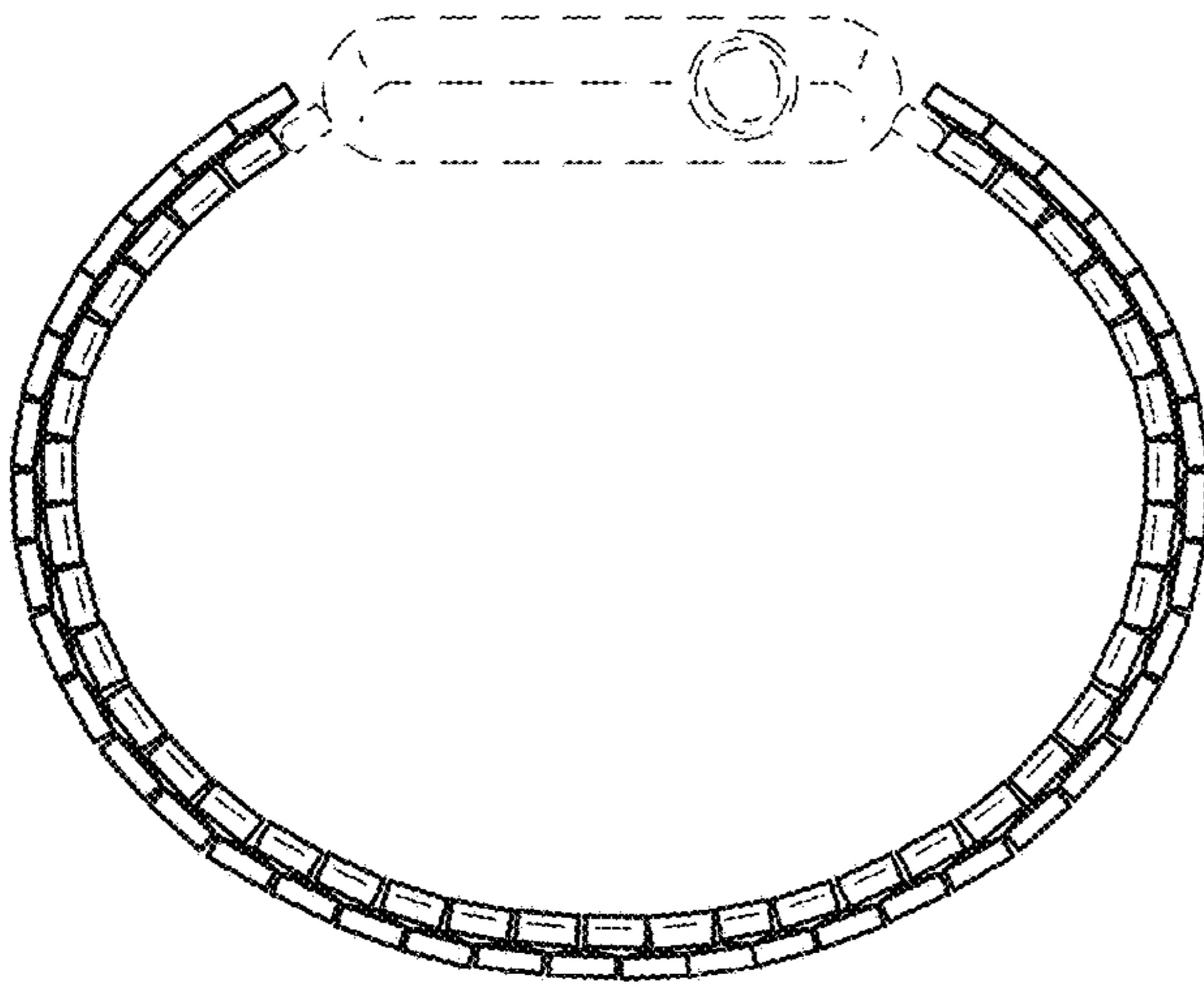
D340,664 S *	10/1993	Butler .....	D11/19
D350,911 S *	9/1994	Bert .....	D11/19
D355,866 S *	2/1995	Prout .....	D11/19
D356,974 S *	4/1995	Morelli .....	D11/19
D381,585 S *	7/1997	Gogniat .....	D10/30
D401,163 S *	11/1998	Buchser .....	D10/30
6,205,622 B1 *	3/2001	Odishoo .....	A44C 5/08
			24/17 A
D575,656 S *	8/2008	Scholpp .....	D11/3
D576,509 S *	9/2008	Scholpp .....	D11/3
D583,682 S *	12/2008	Blank .....	D10/32
D736,664 S *	8/2015	Paradise .....	D11/3
D746,718 S *	1/2016	Akana .....	D11/3
D761,130 S *	7/2016	Soares .....	D10/126
D769,764 S *	10/2016	Mille .....	D11/3
D779,992 S *	2/2017	Akana .....	D11/3
2017/0086536 A1 *	3/2017	de Iuliis .....	A44C 5/027

\* cited by examiner

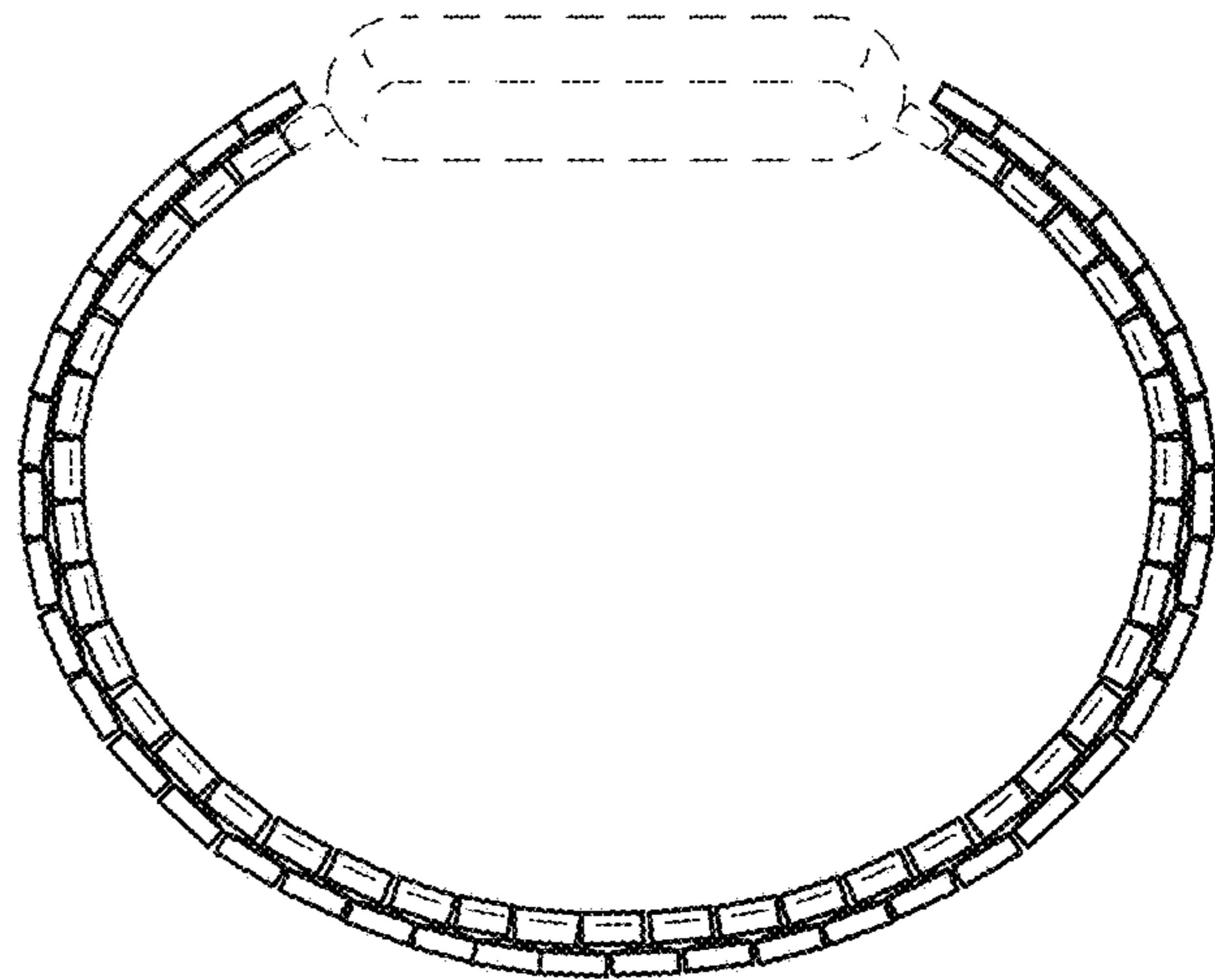
*FIG. 1*

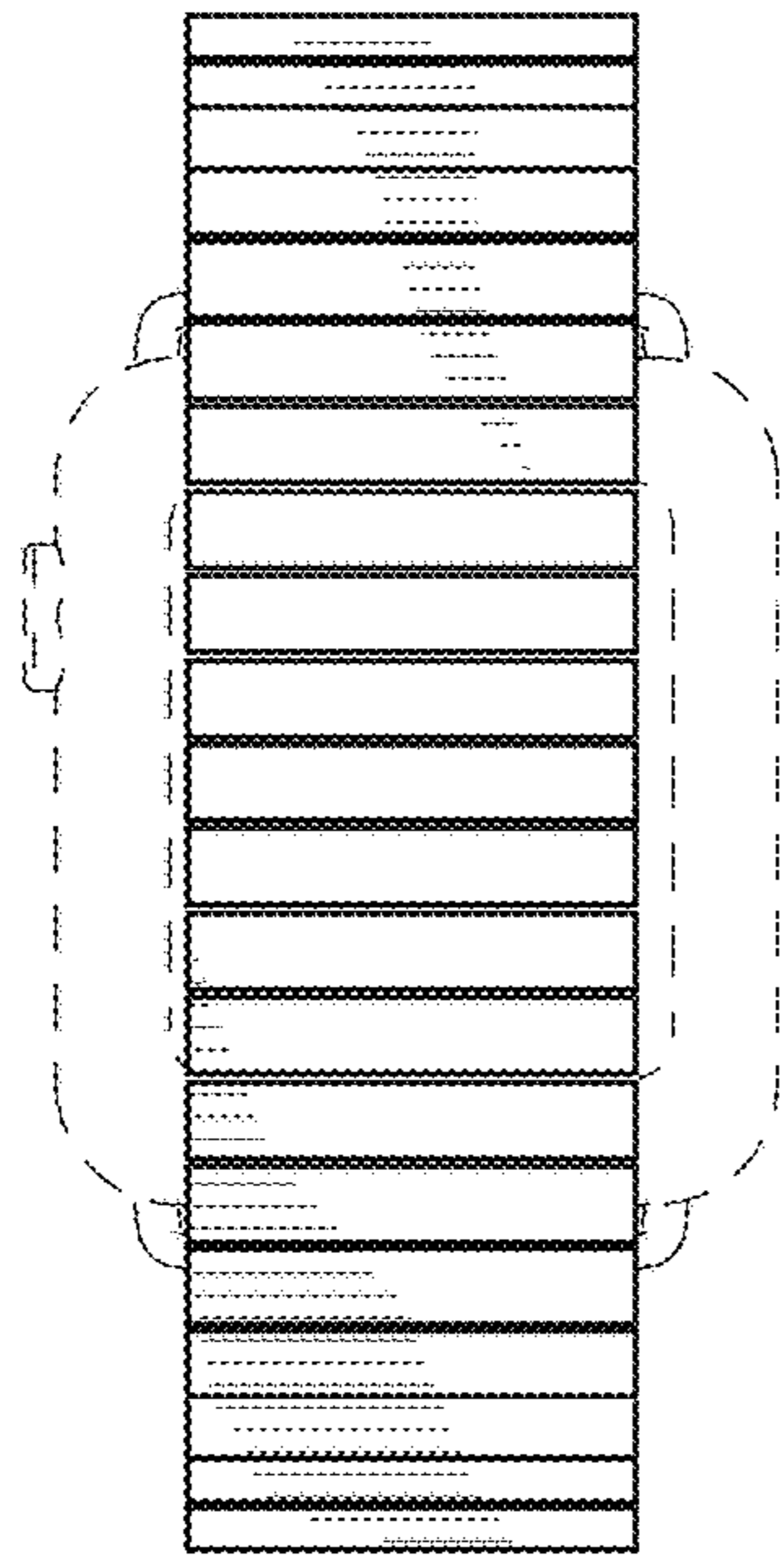


*FIG. 2*

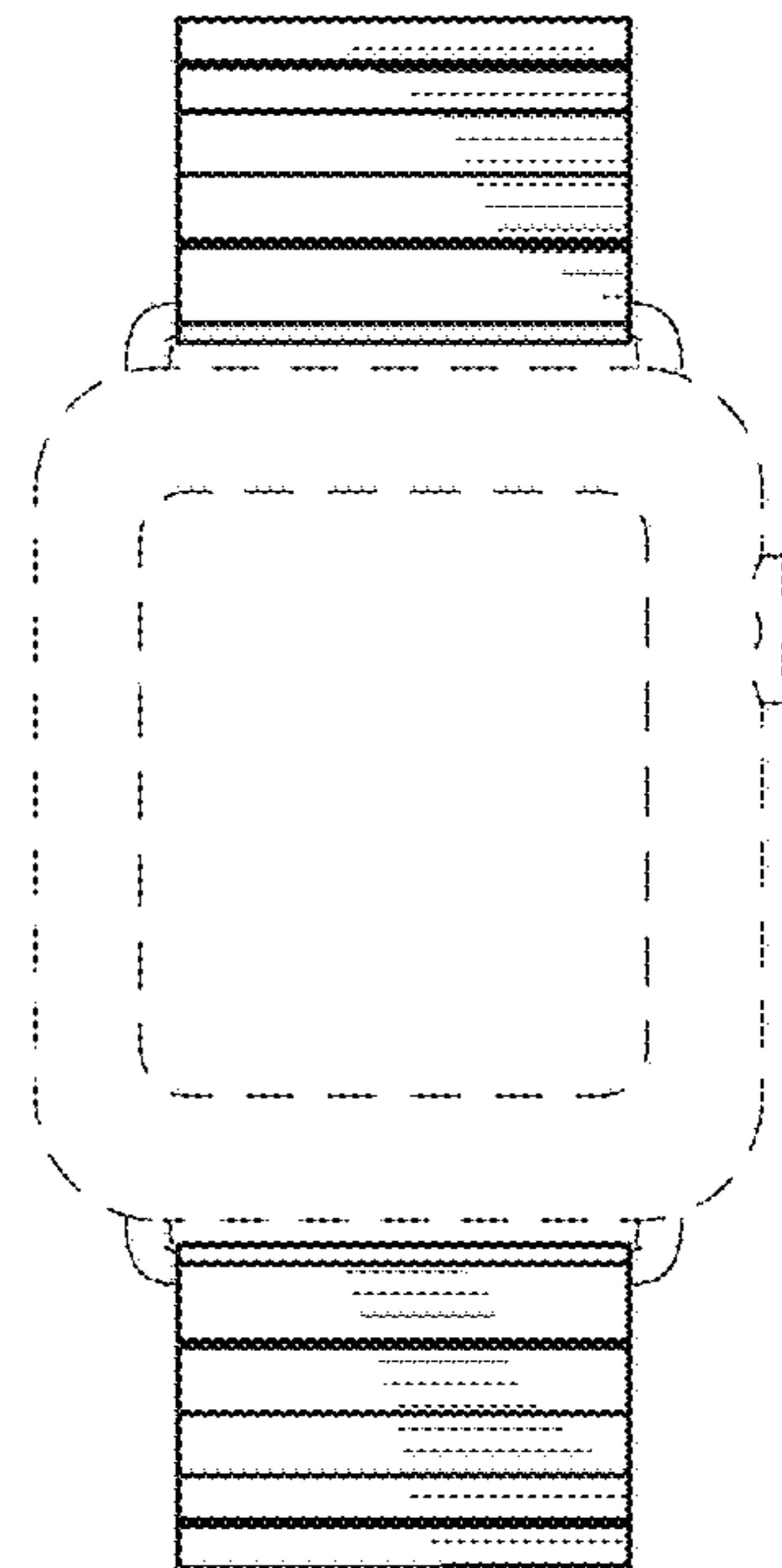


*FIG. 3*

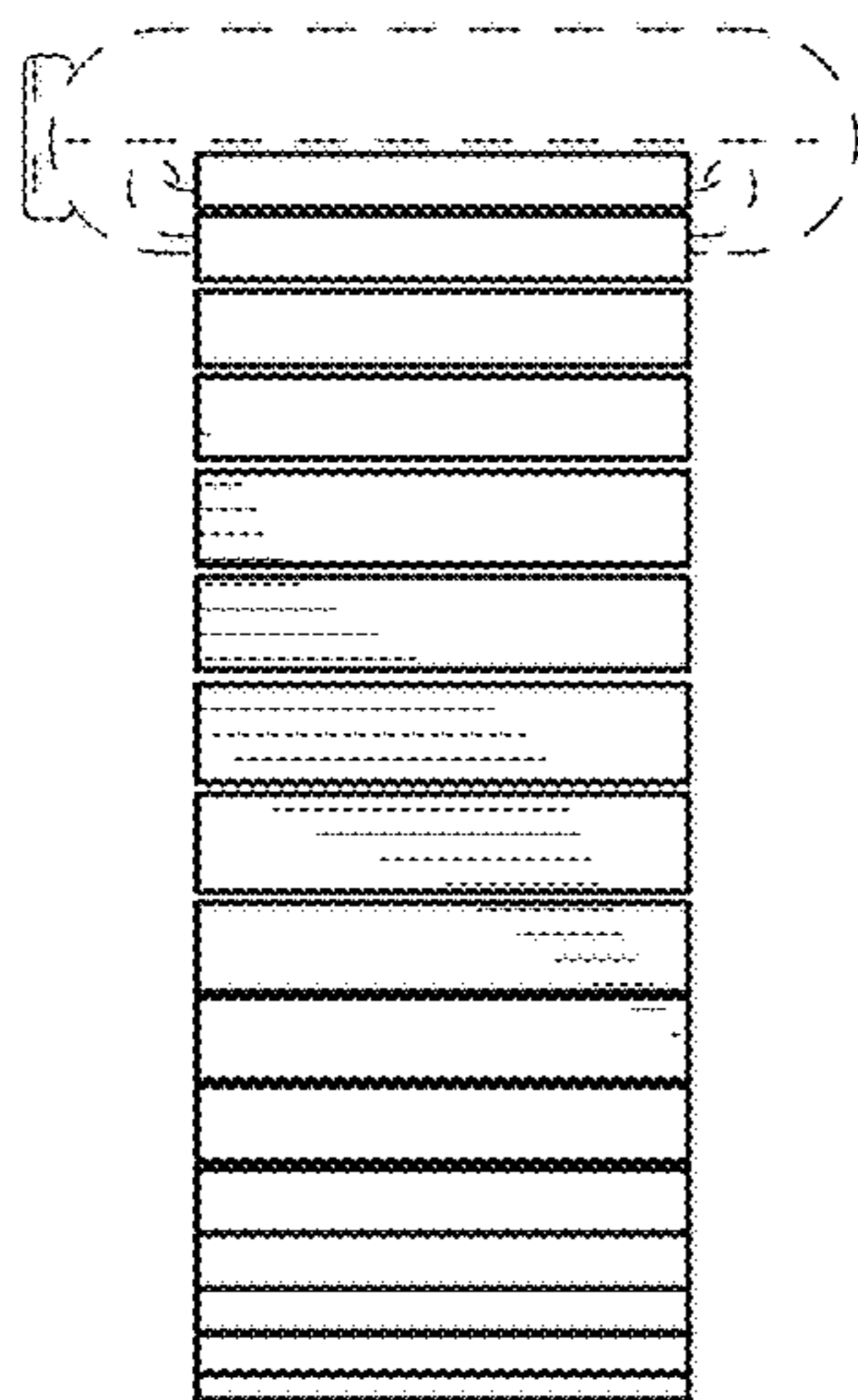




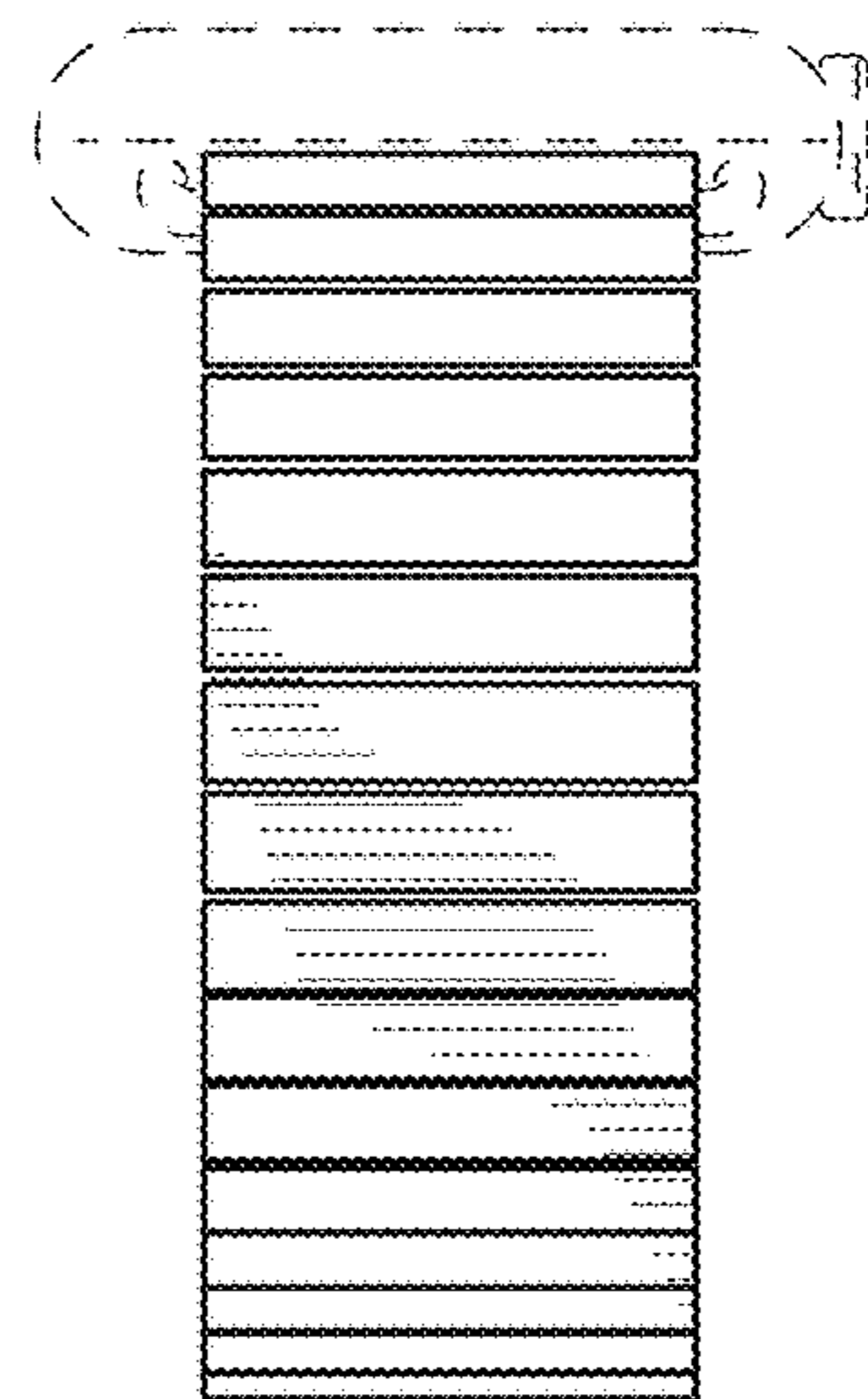
*FIG. 4*



*FIG. 5*



*FIG. 6*



*FIG. 7*