



US00D813701S

(12) **United States Design Patent**  
**Scalisi**

(10) **Patent No.:** **US D813,701 S**  
(45) **Date of Patent:** **\*\* Mar. 27, 2018**

(54) **DOORBELL**

(71) Applicant: **SkyBell Technologies, Inc.**, Irvine, CA  
(US)

(72) Inventor: **Joseph Frank Scalisi**, Yorba Linda, CA  
(US)

(73) Assignee: **SkyBell Technologies, Inc.**, Irvine, CA  
(US)

(\*\*) Term: **15 Years**

(21) Appl. No.: **29/589,515**

(22) Filed: **Jan. 2, 2017**

(51) **LOC (11) Cl.** ..... **10-05**

(52) **U.S. Cl.**  
USPC ..... **D10/118.2**

(58) **Field of Classification Search**  
USPC ..... D10/104.1, 108, 116.1, 118, 118.2, 121,  
D10/122-126; D16/202, 203, 208, 209,  
D16/215; D13/171  
CPC ... G08B 3/00; G08B 3/10; G08B 7/00; G08B  
7/06  
See application file for complete search history.

(56) **References Cited**

**U.S. PATENT DOCUMENTS**

D179,803 S	3/1957	Gillette	
D225,379 S	12/1972	Gallagher	
D283,130 S	3/1986	Boenning	
D297,222 S	8/1988	Rauch	
5,127,244 A	7/1992	Myers	
D344,036 S	2/1994	Yuen	
5,345,794 A	9/1994	Jenks	
D366,262 S *	1/1996	Inaba	..... D10/104.1
D371,086 S	6/1996	Collins	
D381,638 S	7/1997	Kruse	
5,671,624 A	9/1997	Sivils	
D392,987 S	3/1998	Sakata	
D395,814 S	7/1998	Yang	

D404,673 S	1/1999	Gordon	
D405,021 S *	2/1999	Steele	..... D10/104.1
D418,770 S	1/2000	Ragan	
6,016,677 A	1/2000	Clark	
D422,521 S	4/2000	Morrow	

(Continued)

**OTHER PUBLICATIONS**

MySkyBell.com (later SkyBell.com)—Downloaded on Nov. 18,  
2013 from <http://www.myskybell.com>.  
(Continued)

*Primary Examiner* — George D. Kirschbaum  
*Assistant Examiner* — Joseph Kukella

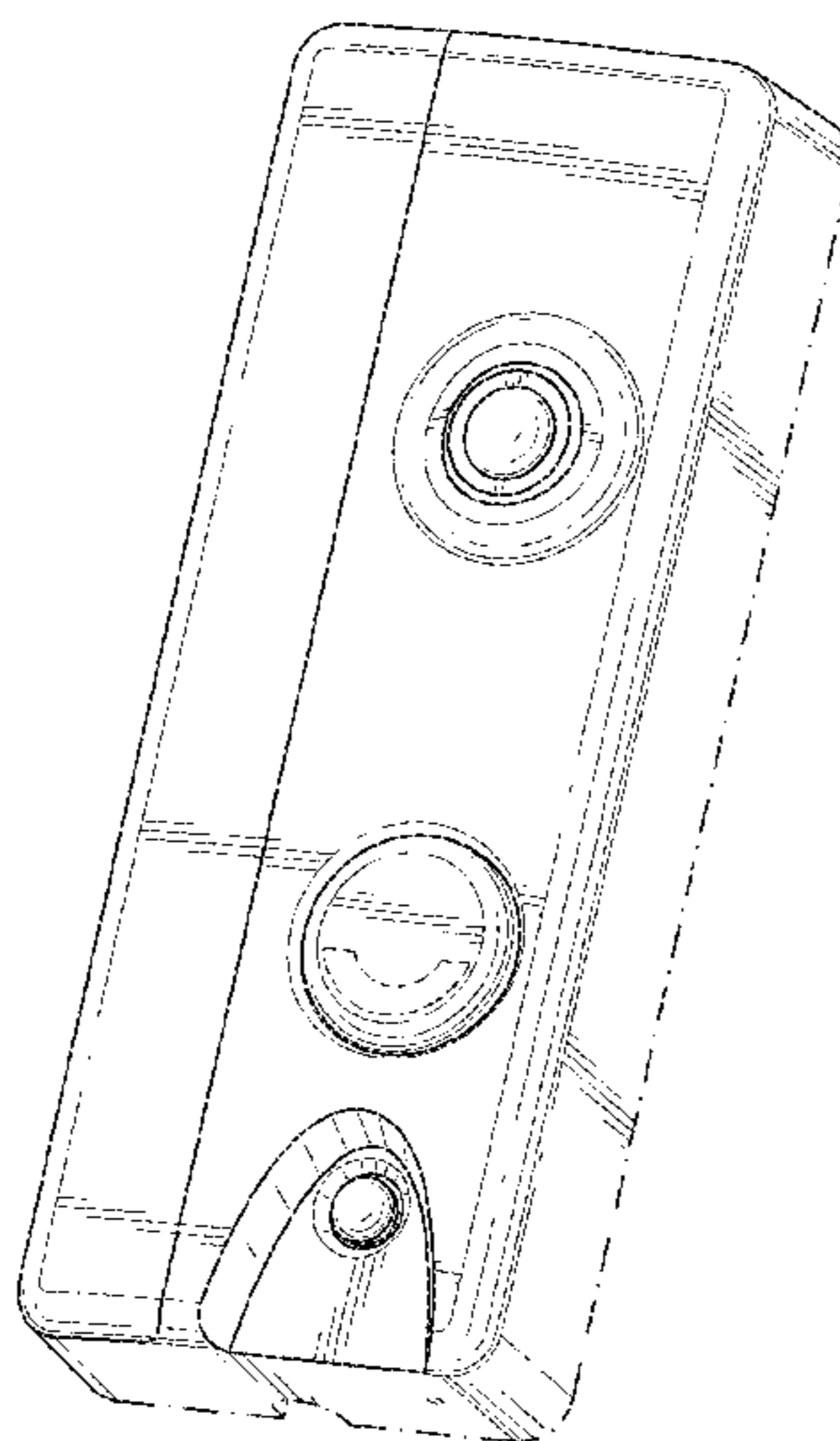
(57) **CLAIM**

The ornamental design for a doorbell, as shown and described.

**DESCRIPTION**

FIG. 1 is a front, side, and bottom perspective view of a doorbell embodying the new design; FIG. 2 is a back, side, and bottom perspective view thereof; FIG. 3 is a front view of the doorbell with a battery cover in a closed configuration; FIG. 4 is a back view thereof; FIG. 5 is a first side view thereof; FIG. 6 is a second side view thereof; FIG. 7 is a top view thereof; FIG. 8 is a bottom view thereof; FIG. 9 is a front view of the doorbell with the battery cover in a partially open configuration; and, FIG. 10 is a front view of the doorbell with the battery cover in an open configuration. In the drawings the dot-dash broken lines indicate the boundaries of the claim; the dash-dash broken lines depict environmental subject matter only. The broken lines form no part of the claim.

**1 Claim, 4 Drawing Sheets**



(56)

References Cited

U.S. PATENT DOCUMENTS

D422,893 S	4/2000	Heredos-Formby	D719,994 S	12/2014	Wang
D435,576 S	12/2000	McBride	D720,363 S	12/2014	Ranz
D435,577 S	12/2000	McBride	D720,764 S	1/2015	Lee
D442,617 S	5/2001	Ohmori	D721,755 S	1/2015	Ahman
D455,767 S	4/2002	Tsang	8,937,659 B1	1/2015	Skybell
D455,768 S	4/2002	Tsang	8,941,736 B1	1/2015	Skybell
D465,532 S	11/2002	Hussaini	D722,318 S	2/2015	Moore
D479,720 S	9/2003	Ohashi	D722,319 S	2/2015	Moore
D480,741 S	10/2003	Berger	D722,611 S	2/2015	Moore
D487,939 S	3/2004	Smith	D722,709 S	2/2015	Bosua
D489,323 S	5/2004	Yoshida	8,947,530 B1	2/2015	Skybell
D494,287 S	8/2004	Matsui	8,953,040 B1	2/2015	Skybell
6,812,970 B1	11/2004	McBride	D725,670 S	3/2015	Zhang
D500,751 S	1/2005	Yukikado	D727,769 S	4/2015	Skybell
D509,842 S	9/2005	Ou	D727,989 S	4/2015	Hasuda
7,015,943 B2	3/2006	Chiang	9,013,575 B2	4/2015	Skybell
D519,100 S	4/2006	Shioya	D728,601 S	5/2015	Angelides
D522,490 S	6/2006	Yukikado	D728,655 S	5/2015	Daniel
D525,963 S	8/2006	Yukikado	D729,678 S	5/2015	Skybell
7,113,578 B2	9/2006	Unger	D729,859 S	5/2015	Shin
D531,160 S	10/2006	Yukikado	D732,547 S	6/2015	McClelland
D534,566 S	1/2007	Ishii	9,049,352 B2	6/2015	Skybell
D537,095 S	2/2007	Alden	9,055,202 B1	6/2015	Skybell
D562,306 S	2/2008	Jeong	9,058,738 B1	6/2015	Skybell
D574,742 S	8/2008	Spencer	9,060,103 B2	6/2015	Skybell
D575,316 S	8/2008	Liu	9,060,104 B2	6/2015	Skybell
D577,301 S	9/2008	Johnson	9,065,987 B2	6/2015	Skybell
D588,574 S	3/2009	Takahata	D733,780 S	7/2015	Chen
D592,231 S	5/2009	Schnell	D734,801 S	7/2015	Yang
D594,311 S	6/2009	Stevens	9,094,584 B2	7/2015	Skybell
D595,260 S	6/2009	Takahata	D736,294 S	8/2015	Skybell
D605,542 S	12/2009	Ho	D737,283 S	8/2015	Skybell
D619,157 S	7/2010	Kim	9,113,051 B1	8/2015	Skybell
D633,921 S	3/2011	Brinda	9,113,052 B1	8/2015	Skybell
D633,930 S *	3/2011	Dinger ..... D16/202	9,118,819 B1	8/2015	Skybell
D634,181 S	3/2011	Kang	9,142,214 B2	9/2015	Skybell
D636,286 S	4/2011	Khor	9,143,343 B2	9/2015	Kim
D638,853 S	5/2011	Brinda	D740,873 S	10/2015	Skybell
D645,071 S	9/2011	Hinkel	D741,866 S	10/2015	Ballout
D646,801 S	10/2011	Chou	9,160,987 B1	10/2015	Skybell
D647,946 S	11/2011	Raken	9,165,444 B2	10/2015	Skybell
D657,410 S	4/2012	Helaoui	9,172,920 B1	10/2015	Kskybell
D660,819 S	5/2012	Chen	9,172,921 B1	10/2015	Skybell
D664,178 S	7/2012	Hinkel	9,172,922 B1	10/2015	Skybell
D664,554 S	7/2012	Nenoki	D743,415 S	11/2015	Pfriem
D666,995 S	9/2012	Termeer	9,179,107 B1	11/2015	Skybell
8,334,656 B2	12/2012	Weiss	9,179,108 B1	11/2015	Skybell
D677,297 S	3/2013	Bart	9,179,109 B1	11/2015	Skybell
D679,309 S	4/2013	Park	9,196,133 B2	11/2015	Skybell
D682,658 S	5/2013	Cramer	9,197,867 B1	11/2015	Skybell
D687,446 S	8/2013	Arnold	D745,050 S	12/2015	Kwon
D687,841 S	8/2013	Arnold	D745,080 S	12/2015	Masano
D689,220 S	9/2013	Zhang	D745,546 S	12/2015	Johnson
D689,536 S	9/2013	Li	D747,386 S *	1/2016	Li ..... D16/208
D692,847 S	11/2013	Barley	D747,640 S	1/2016	Scalisi
D693,839 S	11/2013	Hally	9,237,318 B2	1/2016	Kasmir
D694,305 S	11/2013	Katori	9,243,455 B2	1/2016	Harrison
D694,306 S	11/2013	Katori	9,247,219 B2	1/2016	Kasmir
D701,521 S	3/2014	Kim	D750,112 S	2/2016	Kim
D705,246 S	5/2014	Ranz	D751,446 S	3/2016	Lin
D705,794 S	5/2014	Ranz	D752,076 S	3/2016	Guesnon, Jr.
D707,697 S	6/2014	Ranz	D753,664 S	4/2016	McClelland et al.
D709,754 S	7/2014	Lylyk	D754,231 S *	4/2016	Murray ..... D16/202
8,780,201 B1	7/2014	Skybell	9,342,936 B2	5/2016	Scalisi
D710,377 S	8/2014	Rydenhag	D764,958 S *	8/2016	Scalisi ..... D10/118.2
D710,676 S	8/2014	Kiechel	D765,530 S *	9/2016	Scalisi ..... D10/118.2
D710,727 S	8/2014	Siminoff	D787,359 S *	5/2017	Scalisi ..... D10/118.2
D710,728 S	8/2014	Siminoff	D788,834 S *	6/2017	Bhattacharya ..... D16/203
D711,275 S	8/2014	Skybell	D789,820 S *	6/2017	Siminoff ..... D10/118.2
D711,903 S	8/2014	Mishra	D793,268 S *	8/2017	Ye ..... D10/118.2
8,823,795 B1	9/2014	Skybell	D806,773 S *	1/2018	Wieser ..... D16/203
8,834,044 B2	9/2014	Uehara	D806,774 S *	1/2018	Ahman ..... D16/203
8,842,180 B1	9/2014	Skybell	2004/0124978 A1	7/2004	Chen
8,872,915 B1	10/2014	Skybell	2007/0067798 A1	3/2007	Wroblewski
D719,205 S	12/2014	Matsumoto	2008/0036862 A1	2/2008	Lang
			2011/0156566 A1	6/2011	Chen
			2013/0045763 A1	2/2013	Ruiz
			2014/0125754 A1	5/2014	Haywood
			2014/0157329 A1	6/2014	Roberts

(56)

**References Cited**

U.S. PATENT DOCUMENTS

2015/0022618 A1 1/2015 Siminoff  
2015/0049191 A1 2/2015 Skybell  
2015/0082172 A1 3/2015 Shakib  
2015/0319411 A1 11/2015 Kasmir  
2015/0341603 A1 11/2015 Kasmir  
2015/0358515 A1 12/2015 Resnick  
2016/0044287 A1 2/2016 Scalisi  
2016/0070432 A1 3/2016 Caporal

OTHER PUBLICATIONS

DefenDoor by Glate LLC—Downloaded on Dec. 11, 2014 from <https://www.kickstarter.com/projects/85455040/defendoor-a-home-security-system-that-syncs-with-y>.

EyeTalk—Downloaded on May 24, 2013 from <http://www.revolutionaryconceptsinc.com/forhome.html>.

August Smart Lock—Downloaded on Oct. 10, 2014 from [www.august.com](http://www.august.com).

\* cited by examiner

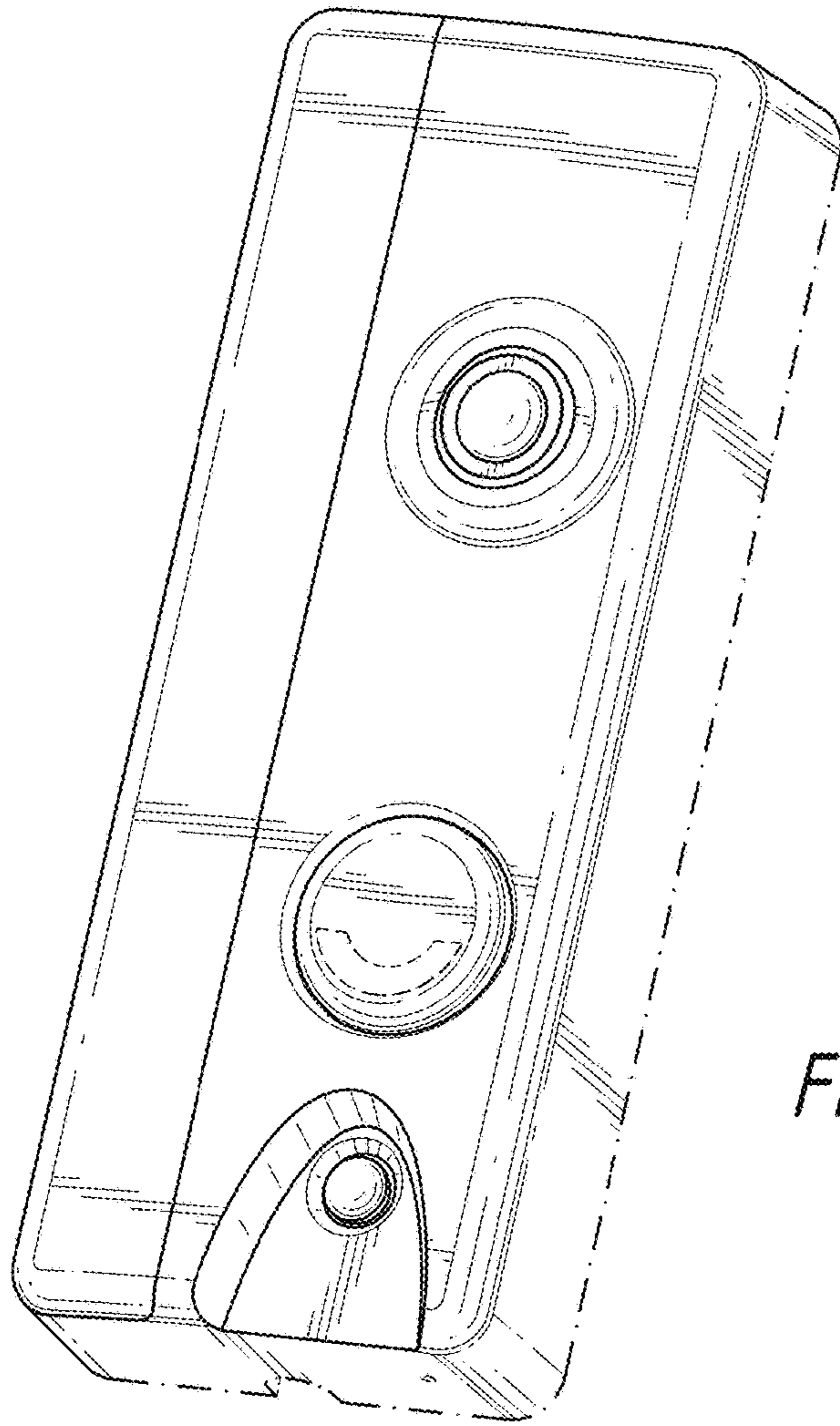


FIG. 1

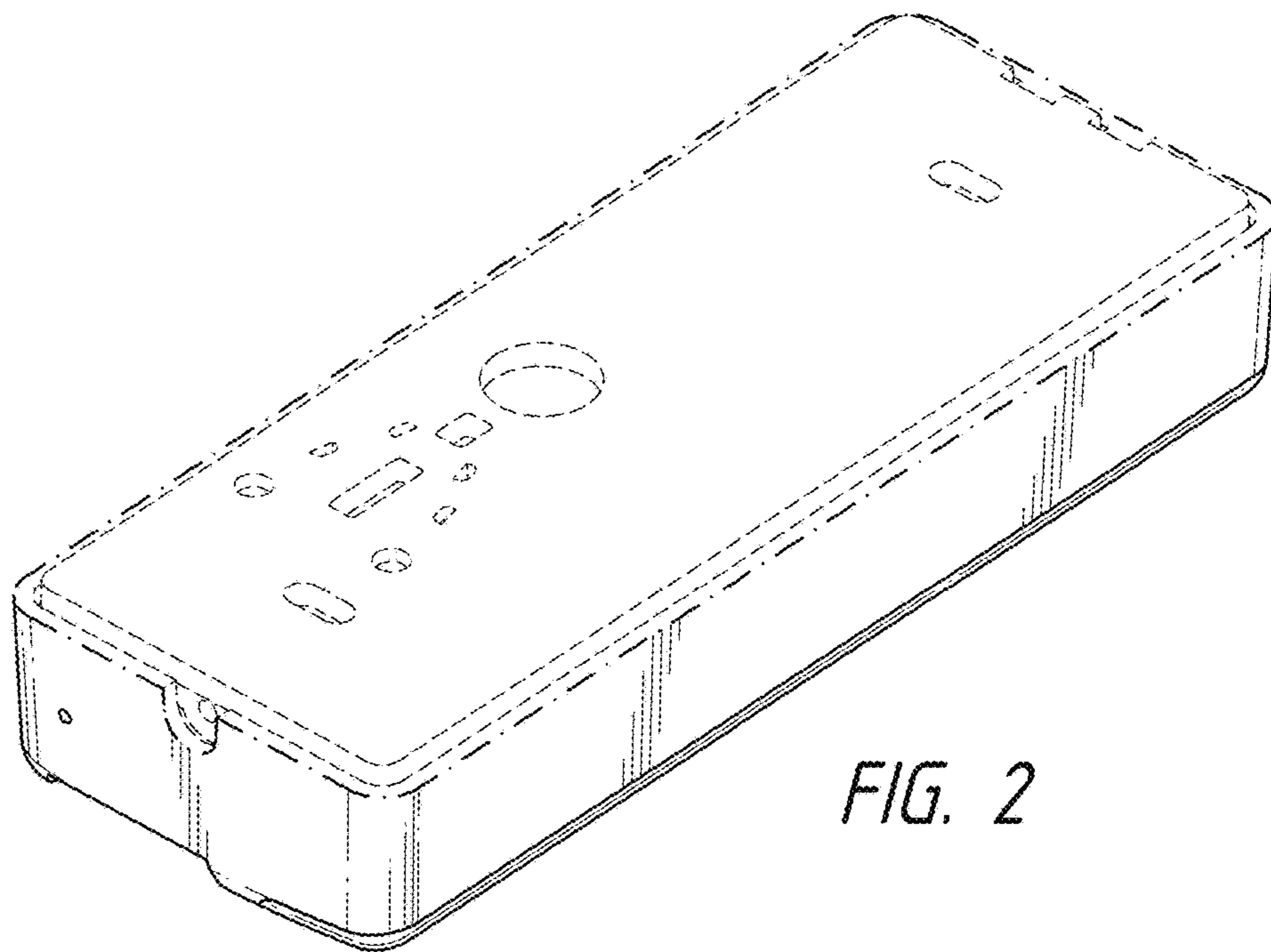


FIG. 2

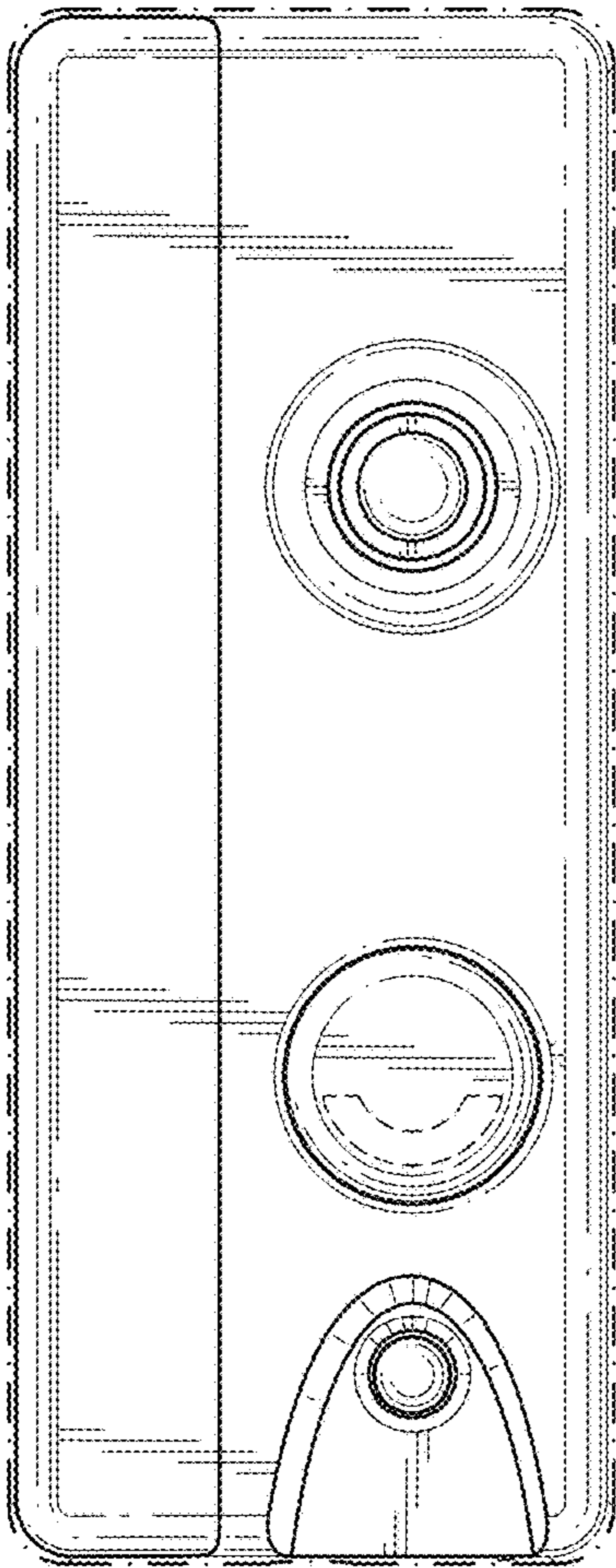


FIG. 3

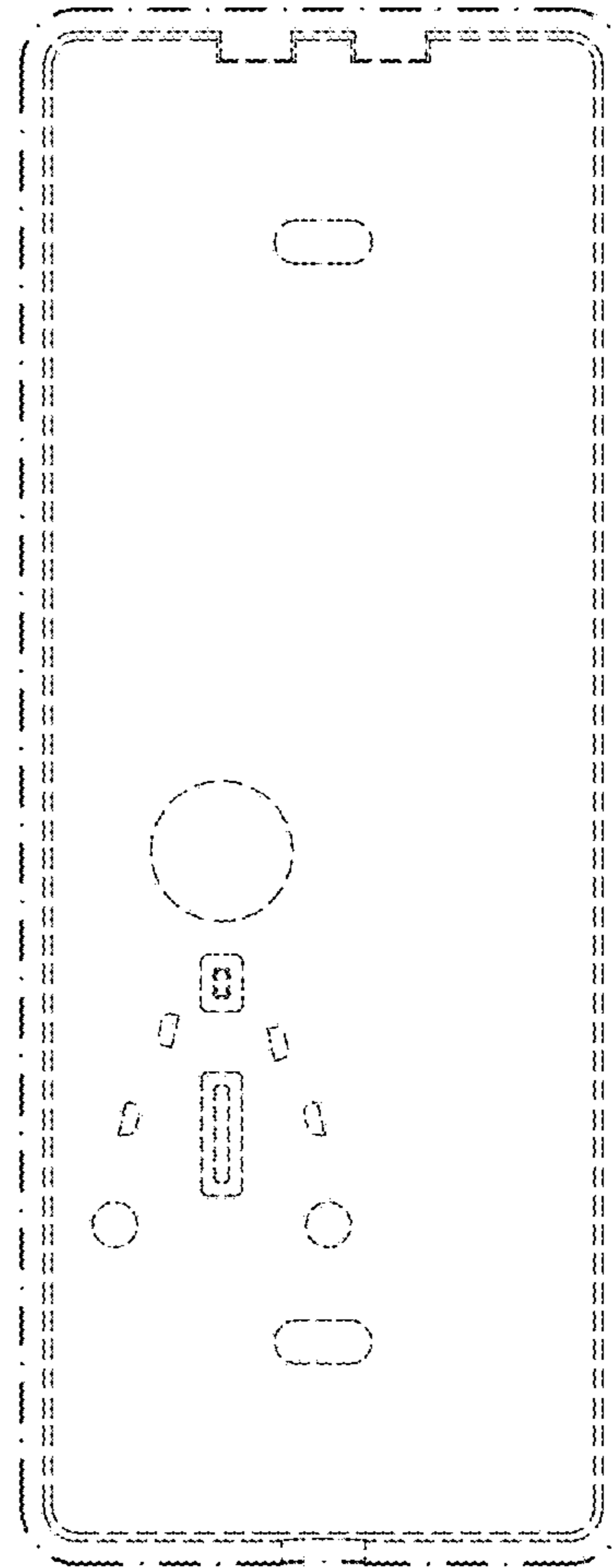
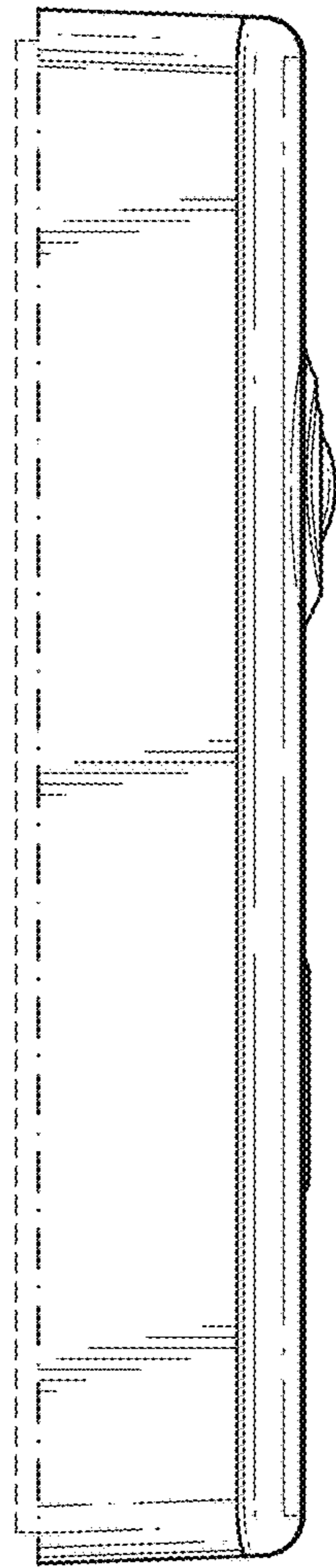
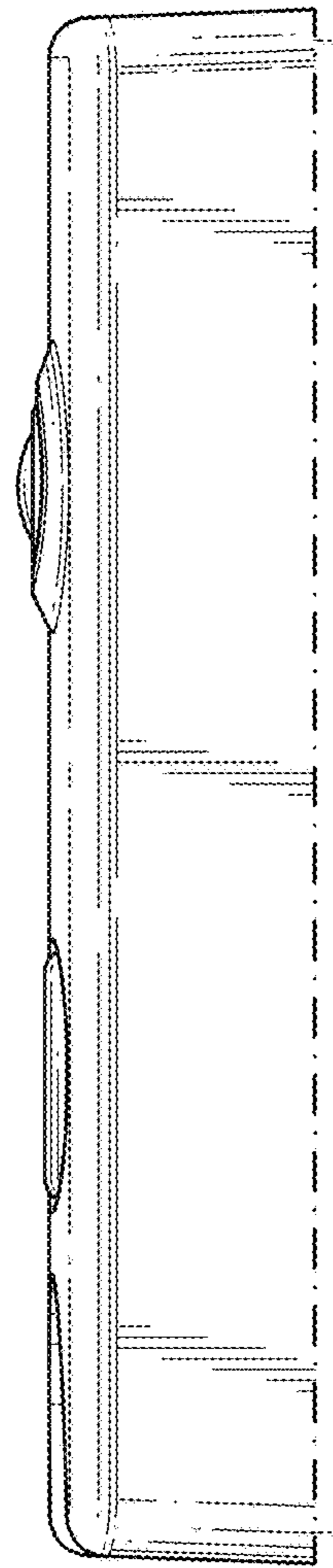


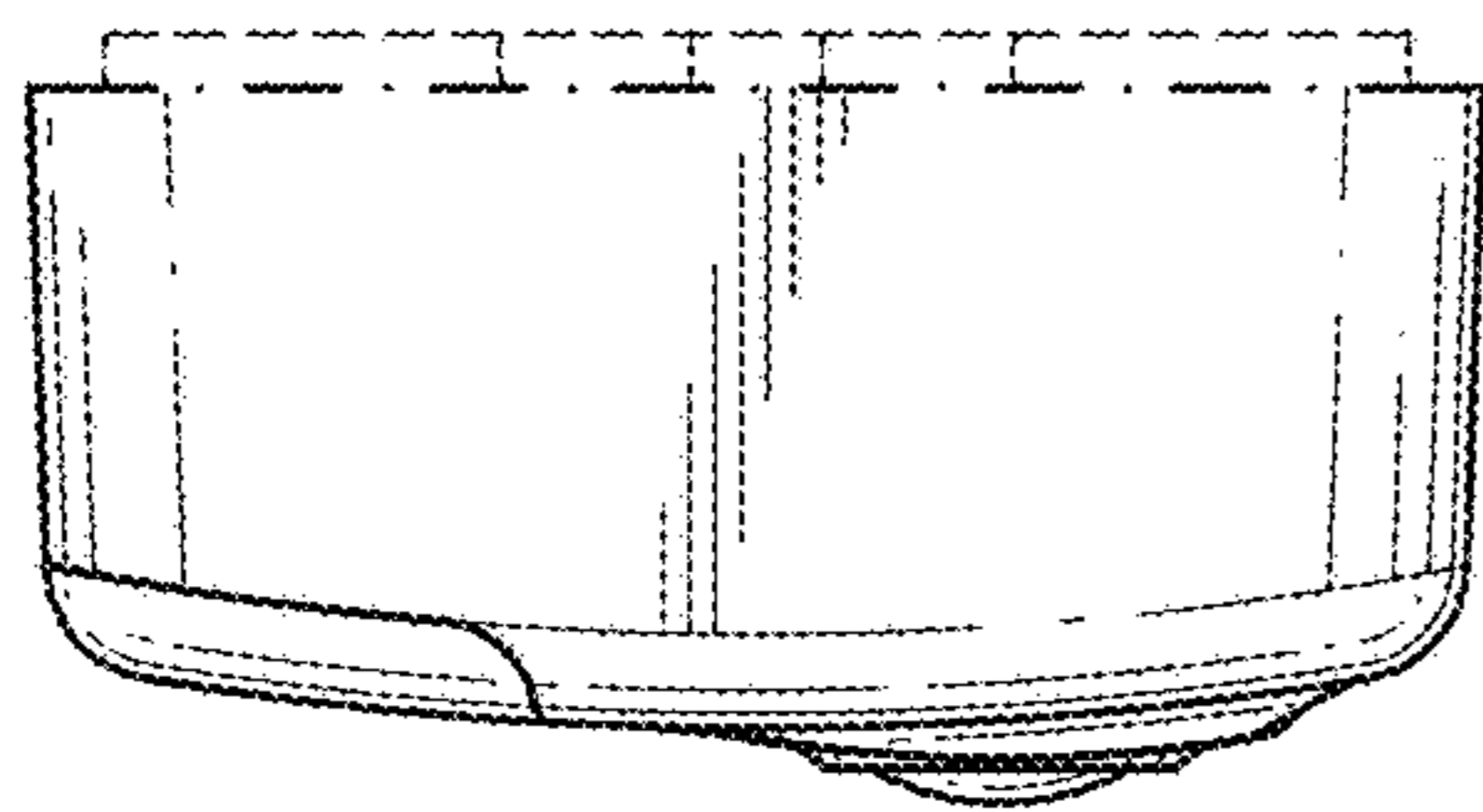
FIG. 4



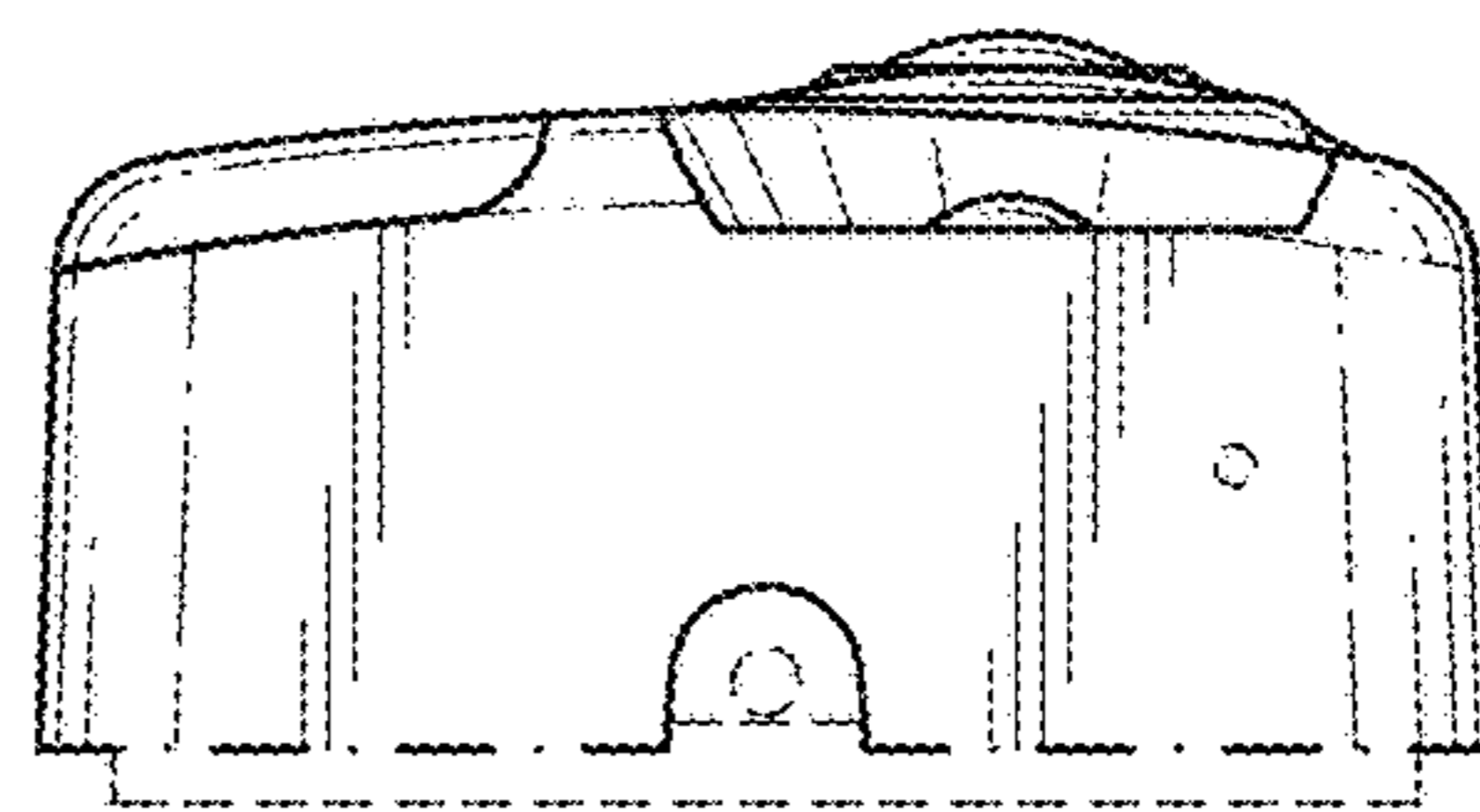
*FIG. 5*



*FIG. 6*



*FIG. 7*



*FIG. 8*

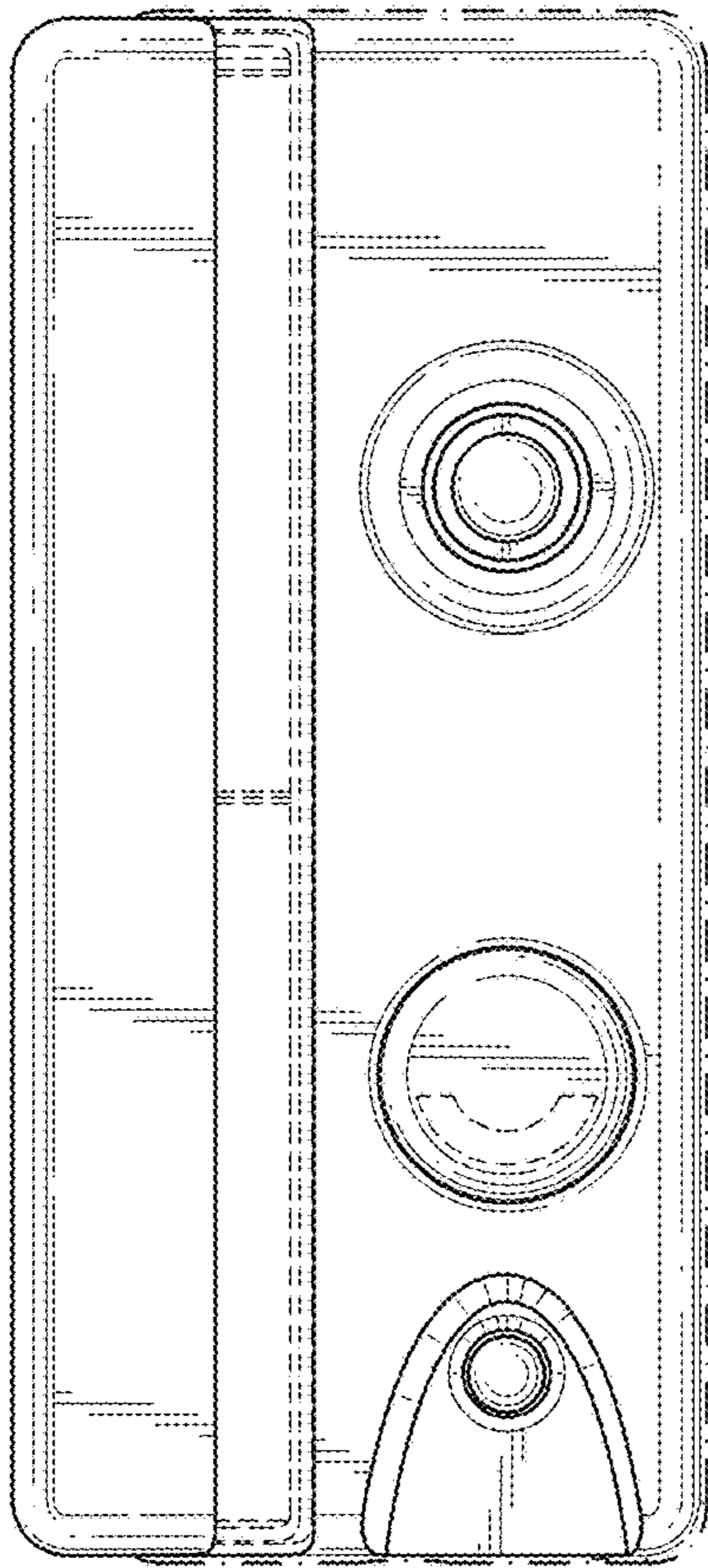


FIG. 9

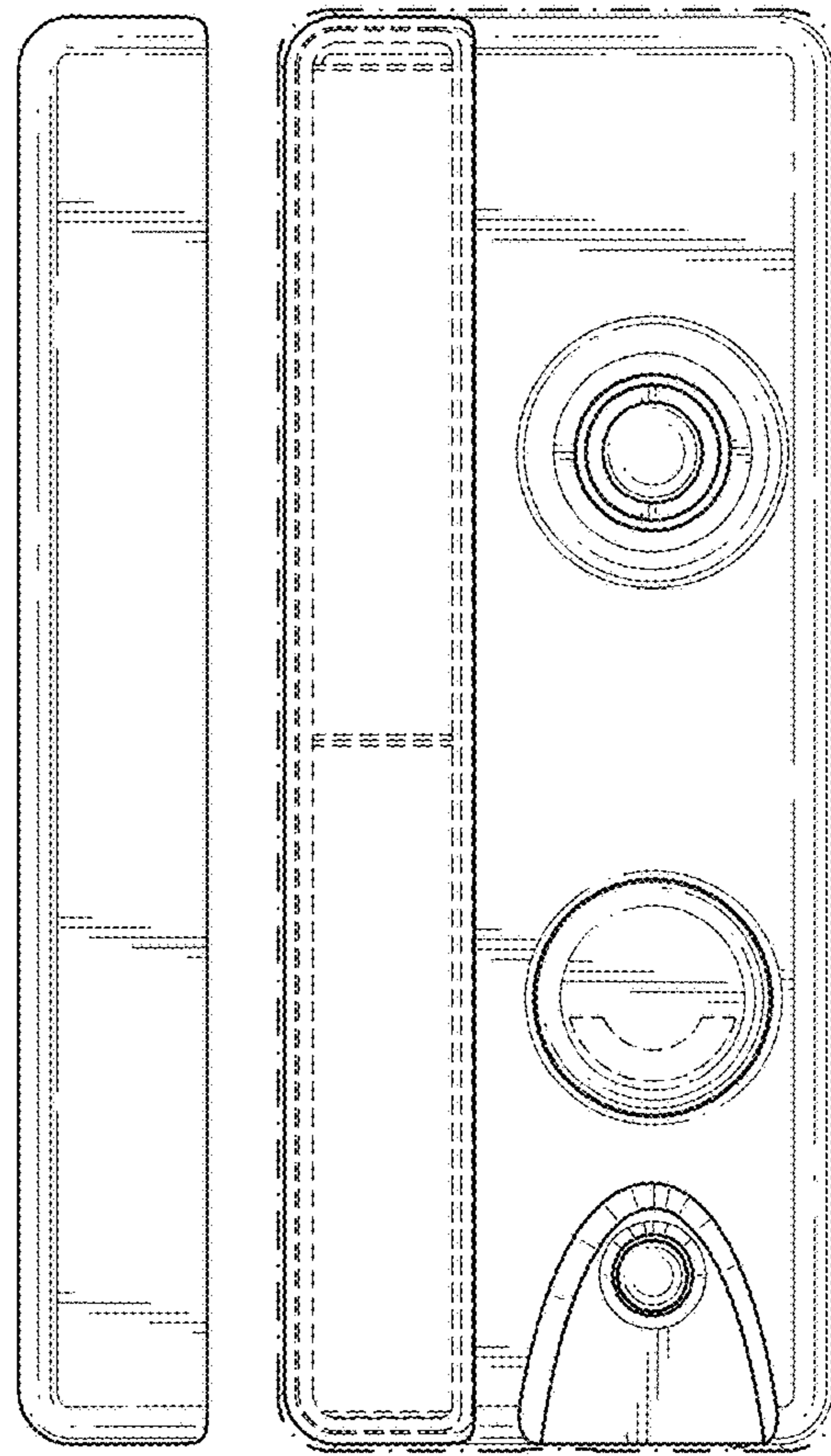


FIG. 10