



US00D813698S

(12) **United States Design Patent**  
**Zhu**

(10) **Patent No.:** **US D813,698 S**  
(45) **Date of Patent:** **\*\* Mar. 27, 2018**

- (54) **PREFILL VALVE**
- (71) Applicant: **ICOOL Ningbo Co., Ltd.**, Ningbo (CN)
- (72) Inventor: **Lian Zhu**, Ningbo (CN)
- (73) Assignee: **Icool Ningbo Co., Ltd.**, Ningbo (CN)
- (\*\*) Term: **15 Years**
- (21) Appl. No.: **29/581,654**
- (22) Filed: **Oct. 20, 2016**
- (51) **LOC (11) Cl.** ..... **10-04**
- (52) **U.S. Cl.**  
USPC ..... **D10/85**
- (58) **Field of Classification Search**  
USPC ..... D10/83, 84, 85; 62/129, 292, 77, 149;  
222/83.5, 89; 137/883, 318; 73/1.66, 37,  
73/115, 146.8, 708, 712, 714, 732, 733,  
73/744, 756; D23/233, 235  
CPC ..... F25B 41/003; F25B 45/00; F16L 41/065  
See application file for complete search history.

- 6,338,255 B1 \* 1/2002 Richard ..... B60H 1/00585  
62/149
- 6,655,407 B1 \* 12/2003 Dudley ..... F16L 41/065  
137/318
- D511,307 S \* 11/2005 Cowan ..... D10/85
- D607,355 S \* 1/2010 Horner ..... D10/85
- 2012/0023972 A1 \* 2/2012 Pearl, II ..... F25B 41/003  
62/77

\* cited by examiner

*Primary Examiner* — Cynthia Ramirez  
*Assistant Examiner* — Gino Colan

(74) *Attorney, Agent, or Firm* — Wang Law Firm, Inc.

(57) **CLAIM**

The ornamental design for a prefill valve, as shown and described.

**DESCRIPTION**

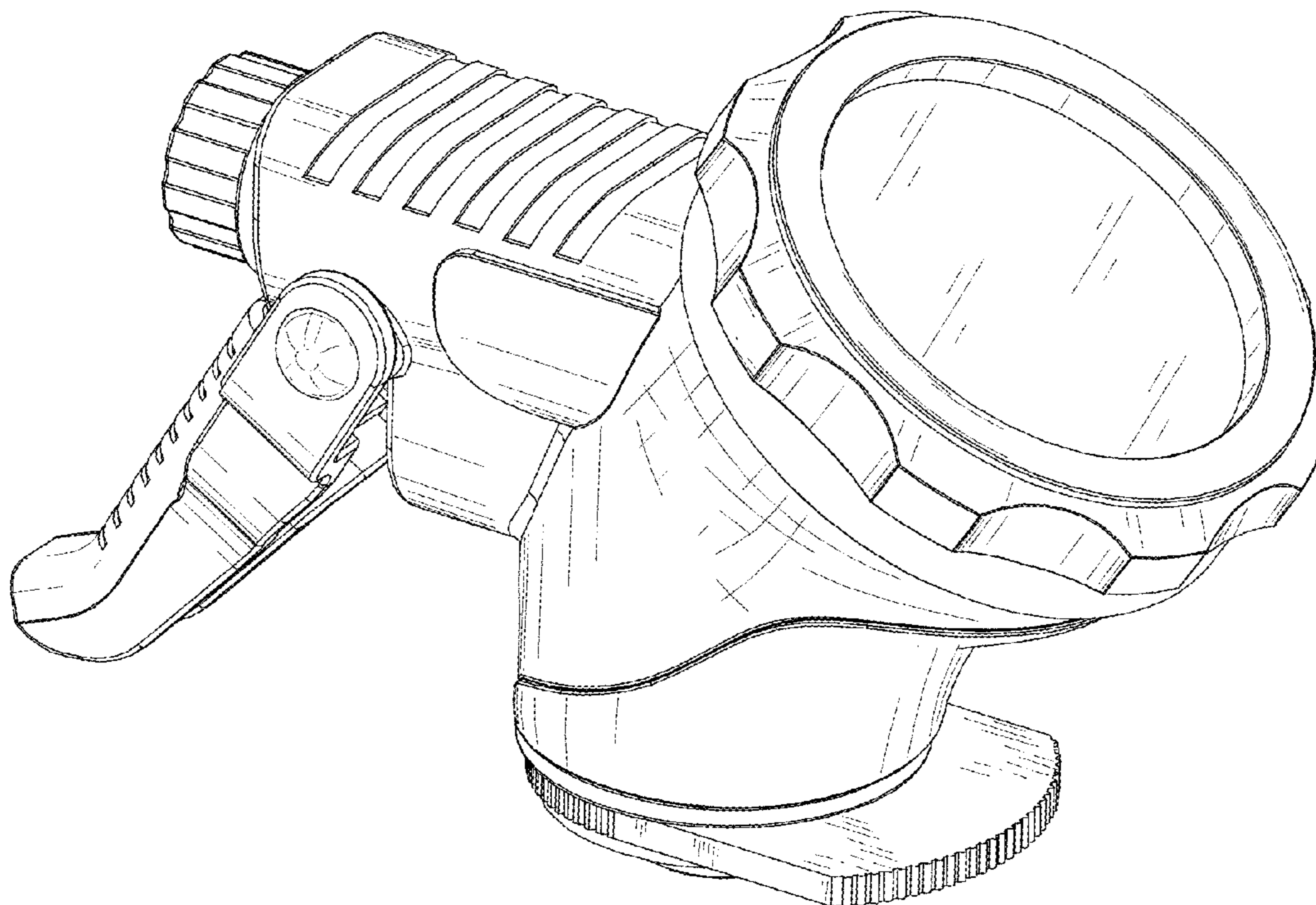
FIG. 1 is a left view of a prefill valve showing my new design;  
 FIG. 2 is a right view thereof;  
 FIG. 3 is a front view thereof;  
 FIG. 4 is a rear view thereof;  
 FIG. 5 is a bottom view thereof;  
 FIG. 6 is a top view thereof; and,  
 FIG. 7 is a perspective view thereof.  
 The broken lines shown in the figures are included for the purpose of illustrating portions of the prefill valve and form no part of the claimed design.

(56) **References Cited**

**U.S. PATENT DOCUMENTS**

- 5,715,692 A \* 2/1998 Pappas ..... F25B 41/003  
137/883
- 6,041,810 A \* 3/2000 Dudley ..... F25B 45/00  
137/318

**1 Claim, 7 Drawing Sheets**



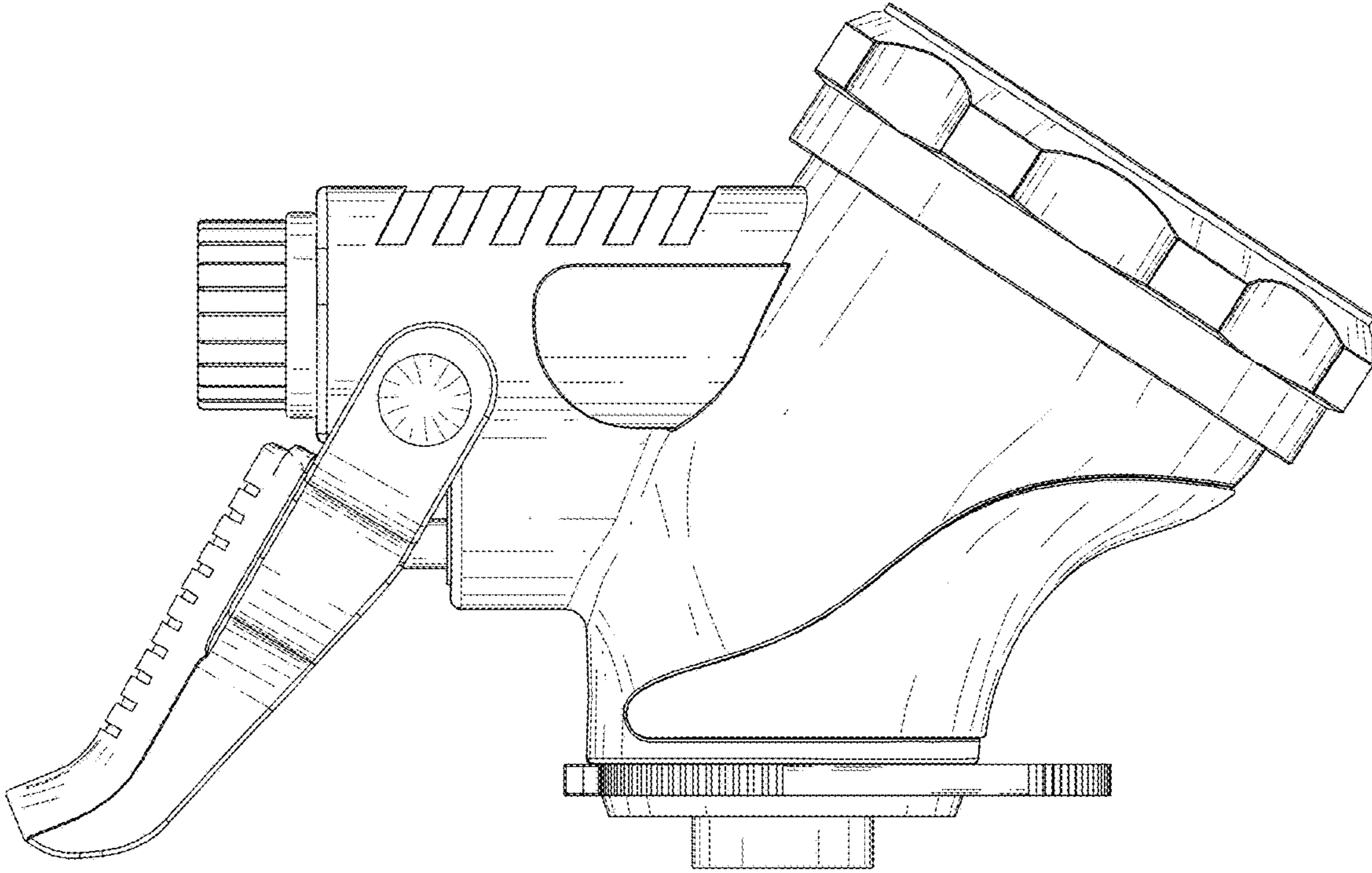


FIG. 1

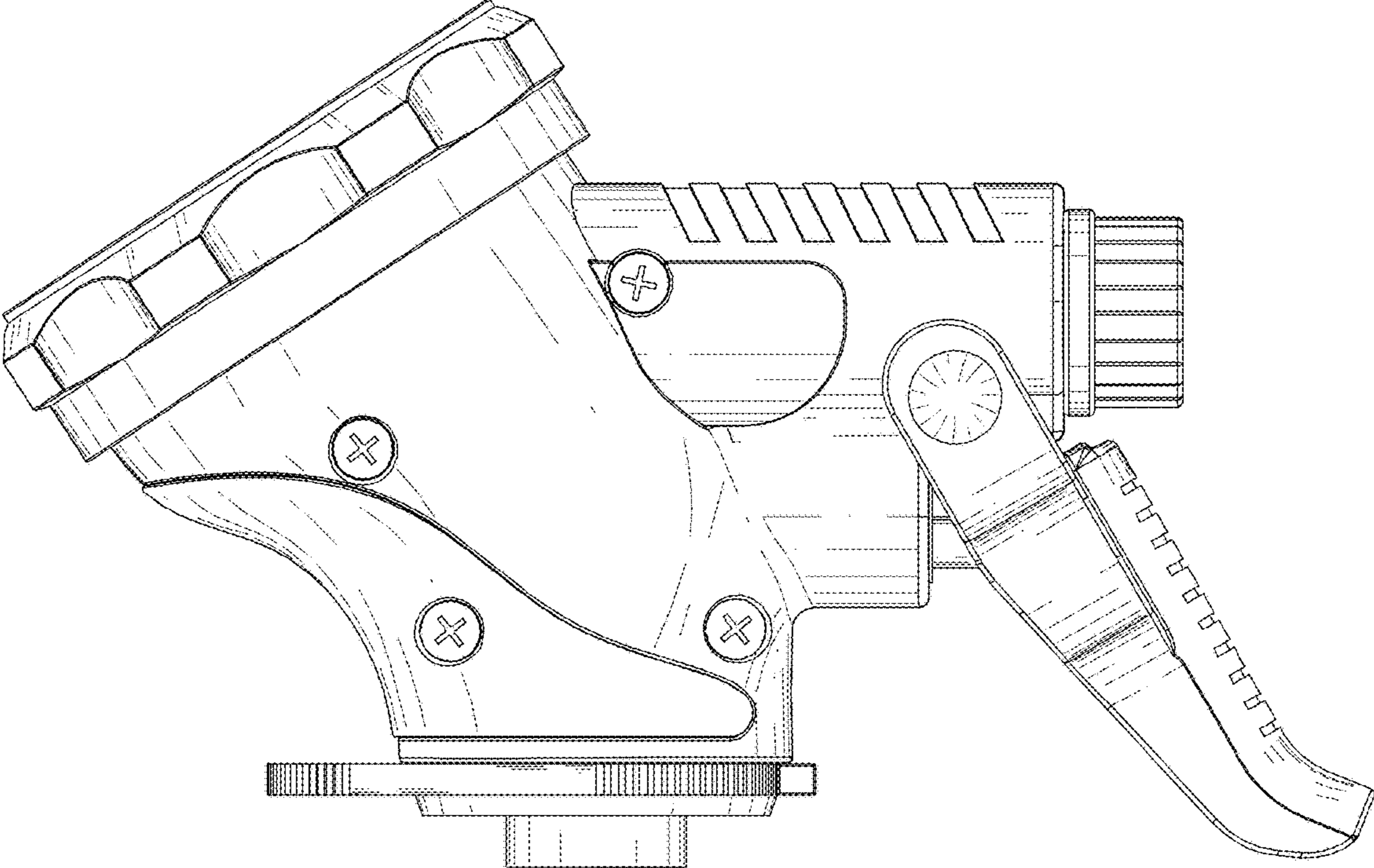


FIG. 2

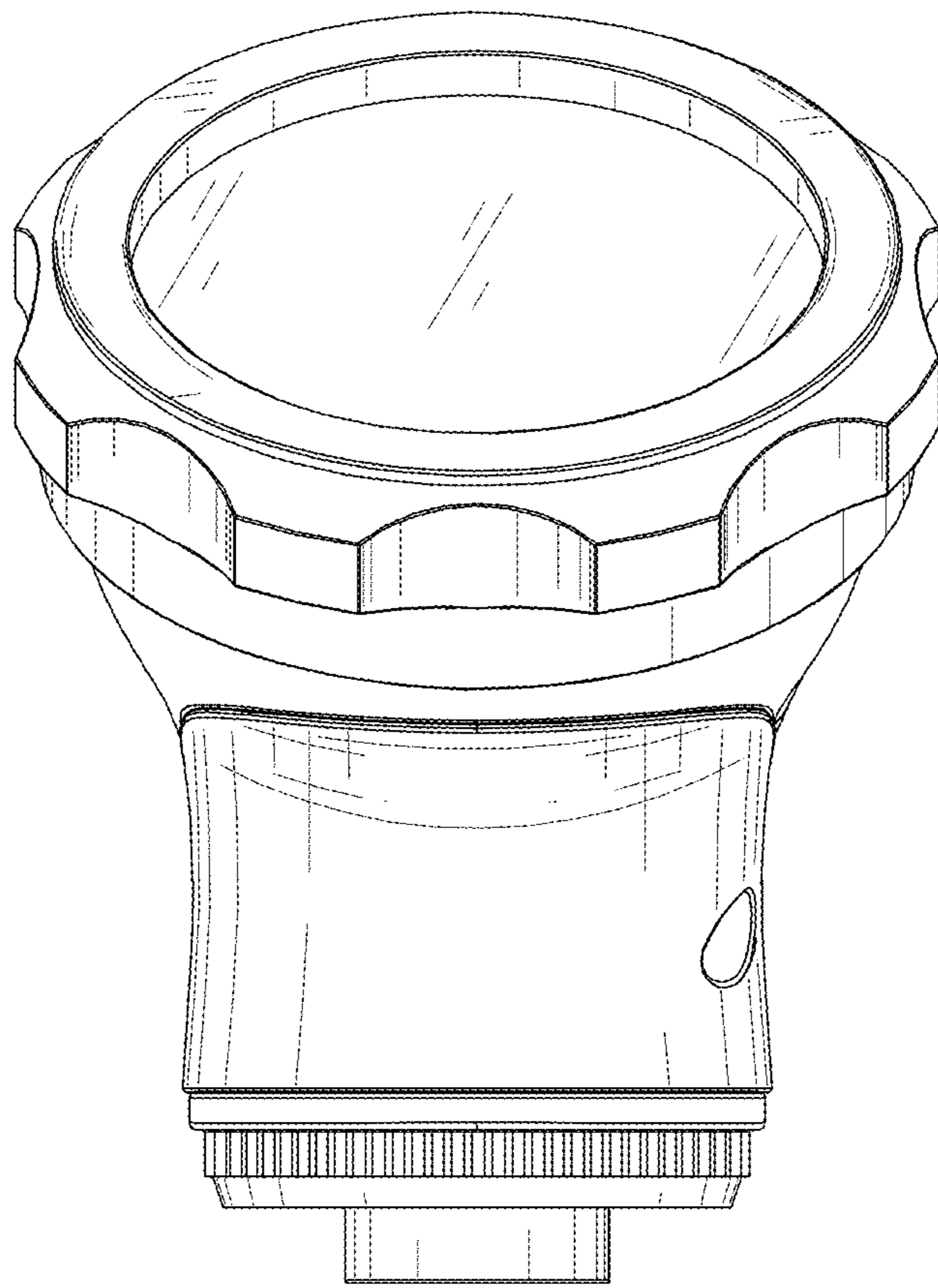


FIG. 3

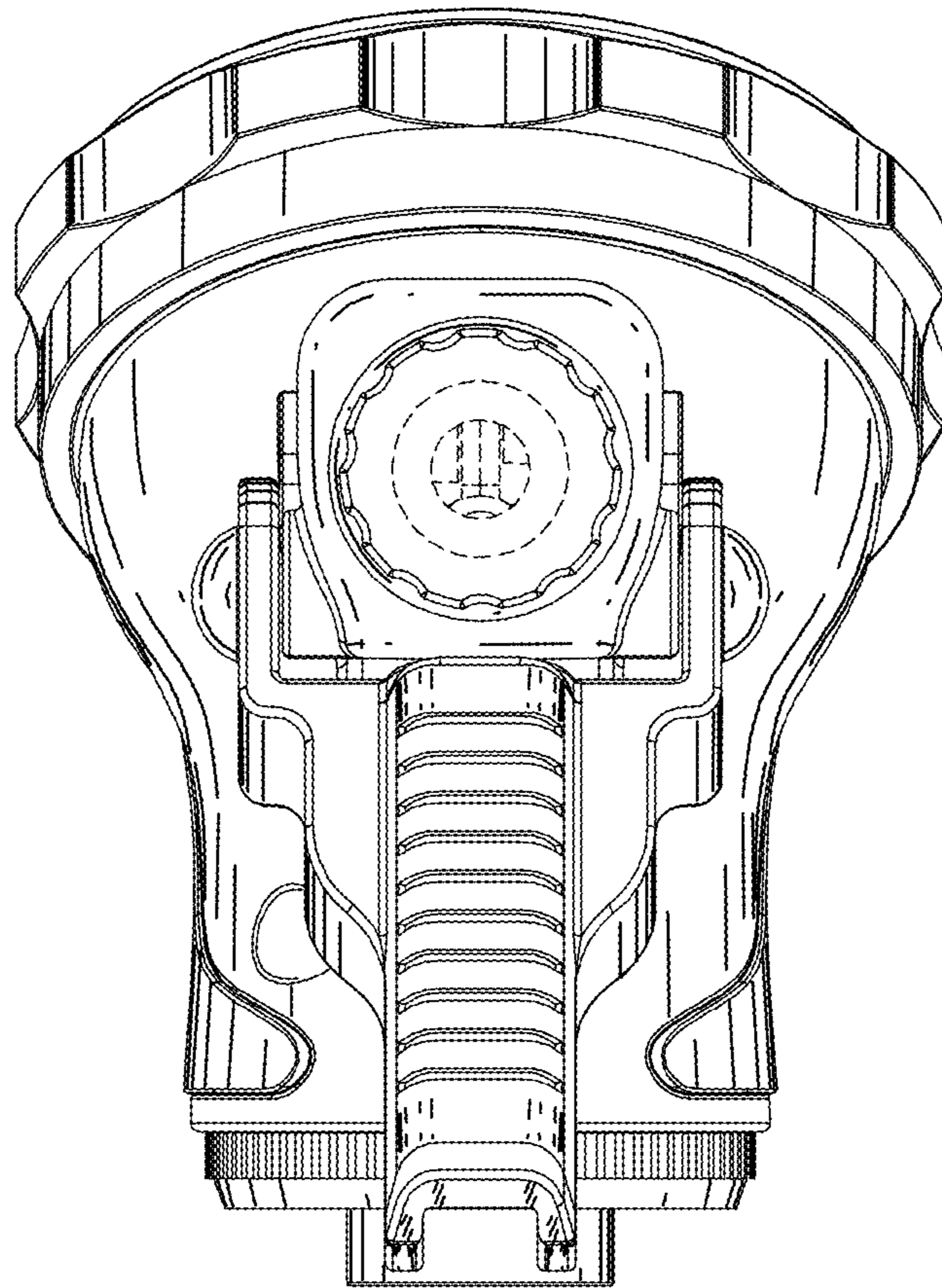


FIG. 4

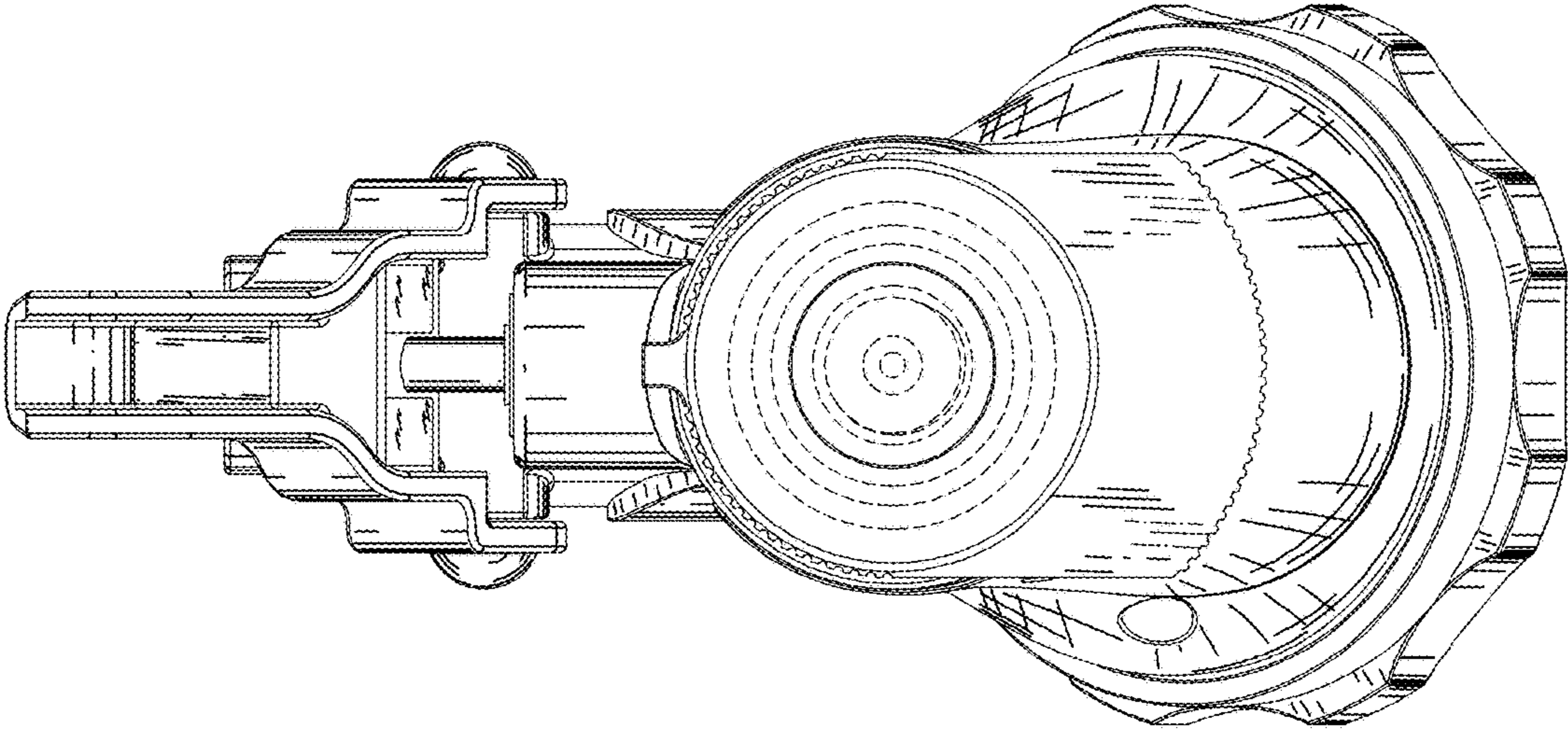


FIG. 5

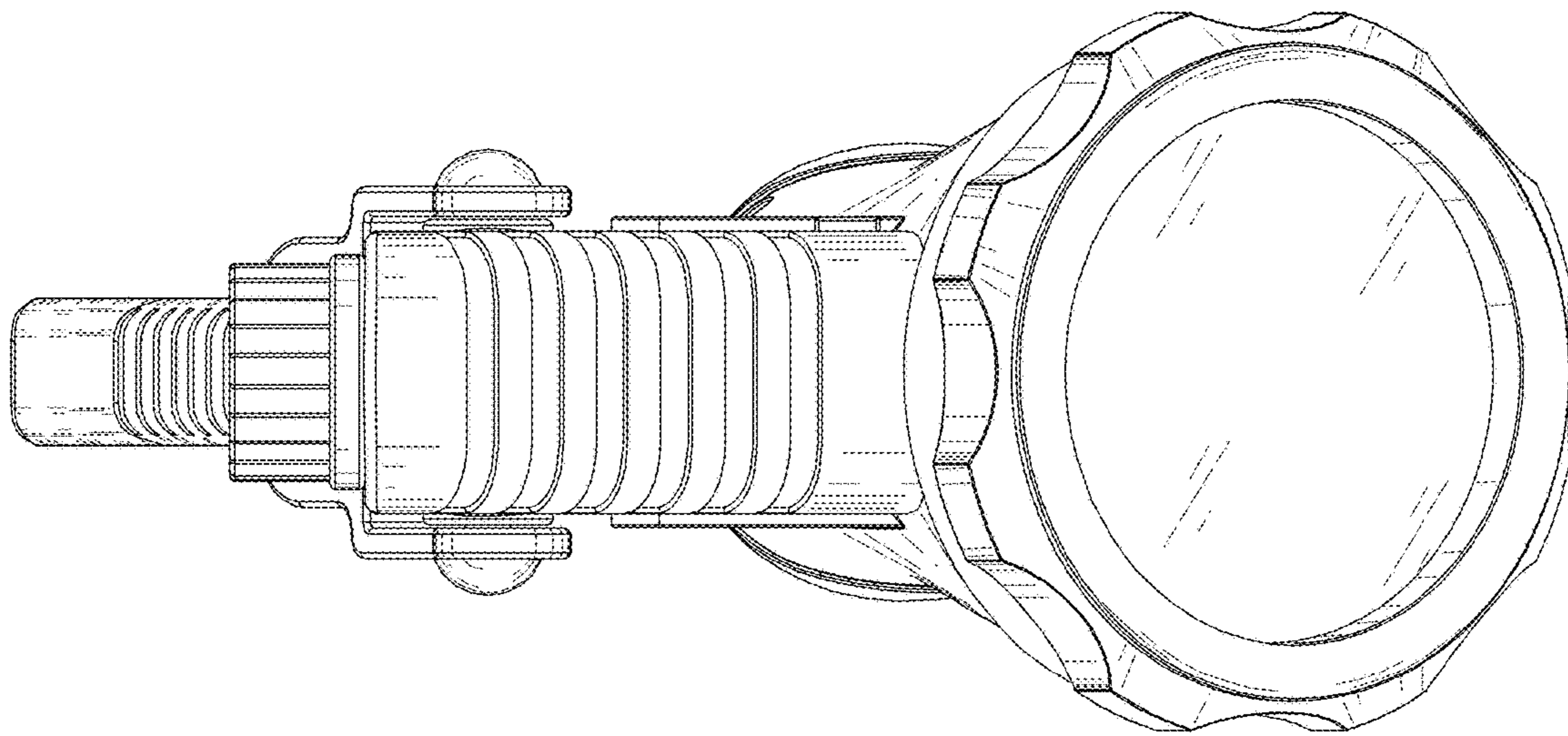


FIG. 6

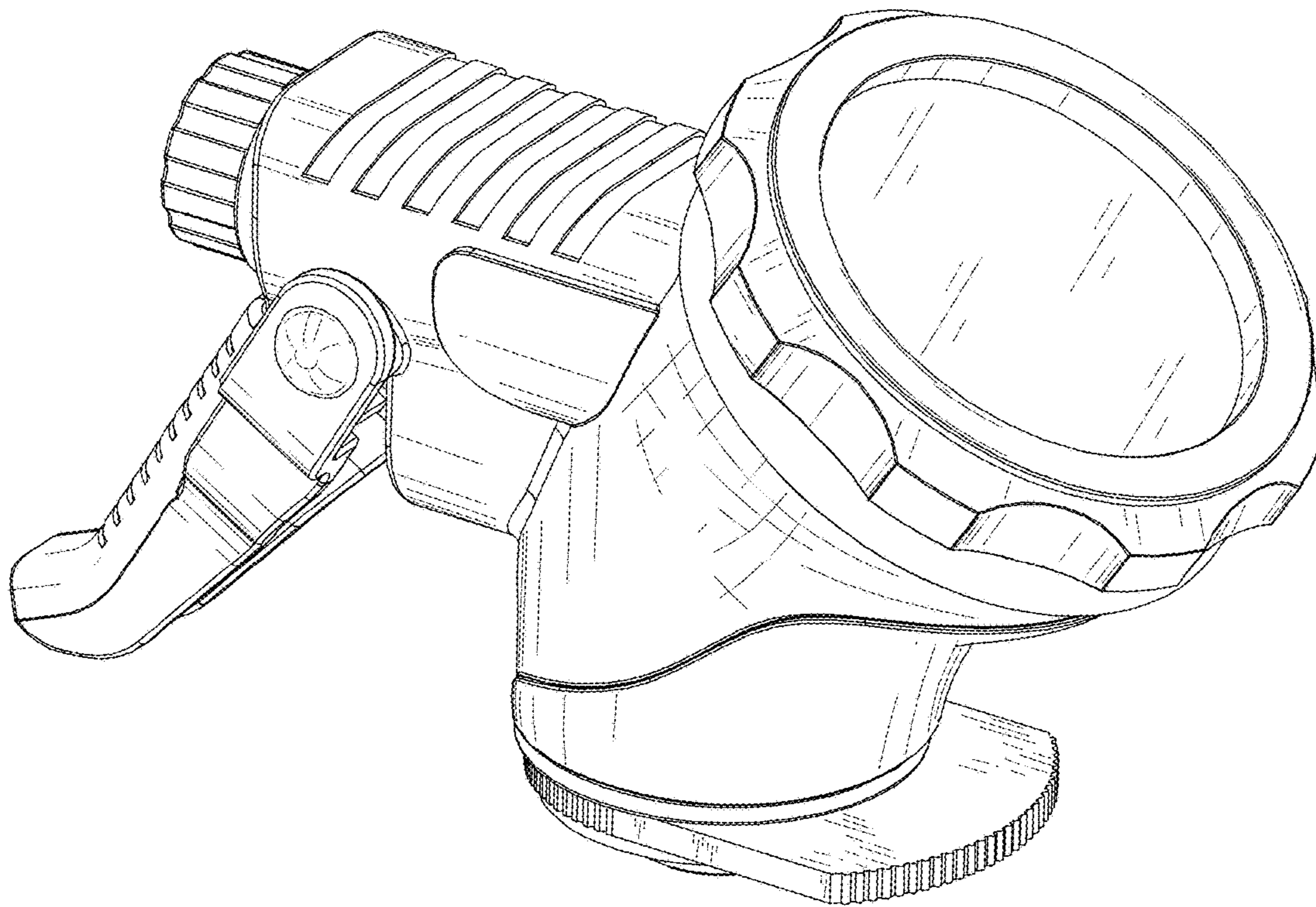


FIG. 7