



US00D813697S

(12) **United States Design Patent**
Chang

(10) **Patent No.:** **US D813,697 S**
(45) **Date of Patent:** **** Mar. 27, 2018**

(54) **ELECTRIC METER**

D399,151 S * 10/1998 Fisher D10/78
D490,331 S * 5/2004 Kuramoto D10/79

(71) Applicant: **APPA Technology Corp.**, New Taipei (TW)

* cited by examiner

(72) Inventor: **Sam Chang**, New Taipei (TW)

Primary Examiner — Antoine Duval Davis

(73) Assignee: **APPA TECHNOLOGY CORP.**, New Taipei (TW)

(74) *Attorney, Agent, or Firm* — Muncy, Geissler, Olds & Lowe, P.C.

(**) Term: **15 Years**

(57) **CLAIM**

(21) Appl. No.: **29/584,491**

The new shape and ornamental design for the electric meter, as shown and described.

(22) Filed: **Nov. 15, 2016**

(51) **LOC (11) Cl.** **10-04**

(52) **U.S. Cl.**
USPC **D10/79**

(58) **Field of Classification Search**
USPC D10/79
CPC G01R 1/04; G01R 1/0408; G01R 1/0416;
G01R 1/0425; G01R 1/06; G01R 1/067;
G01R 15/125; G01R 1/22; G01R 15/12;
G01R 15/18; G01R 15/186; G01R 1/07;
G01R 1/16772; G01R 1/16788
See application file for complete search history.

DESCRIPTION

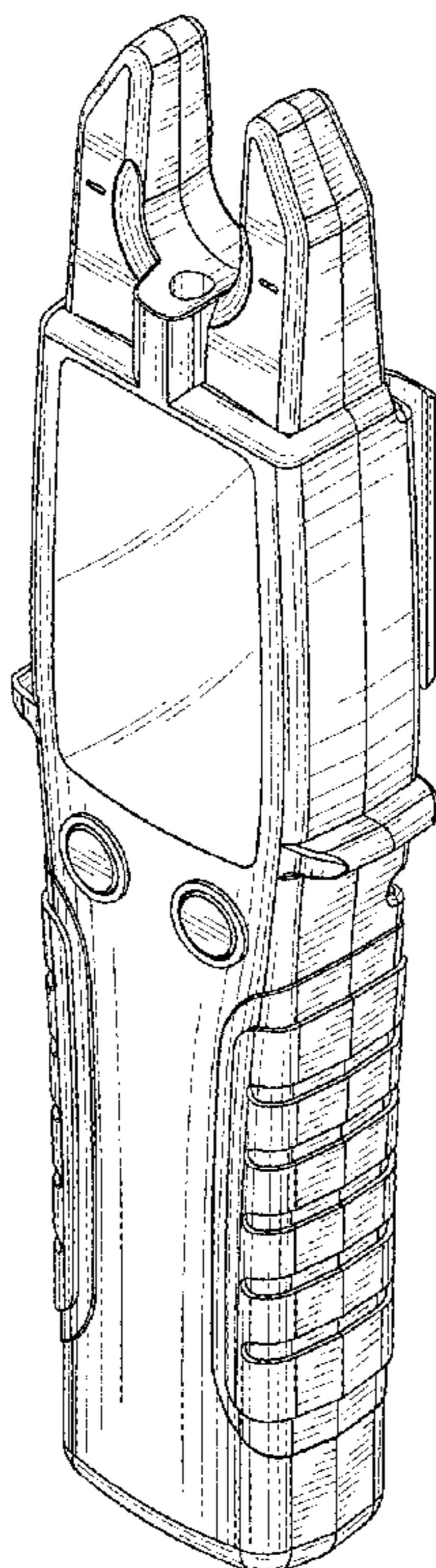
FIG. 1 is a perspective view of the electric meter showing the new design;
FIG. 2 is a front view of the new design;
FIG. 3 is a rear view of the new design;
FIG. 4 is a left view of the new design;
FIG. 5 is a right view of the new design;
FIG. 6 is a top view of the new design; and
FIG. 7 is a bottom view of the new design.
FIG. 8 is a perspective view showing a status of the new design in use; and,
FIG. 9 is a perspective view showing another status of the new design in use.

(56) **References Cited**

U.S. PATENT DOCUMENTS

D399,150 S * 10/1998 Fisher D10/78

1 Claim, 7 Drawing Sheets



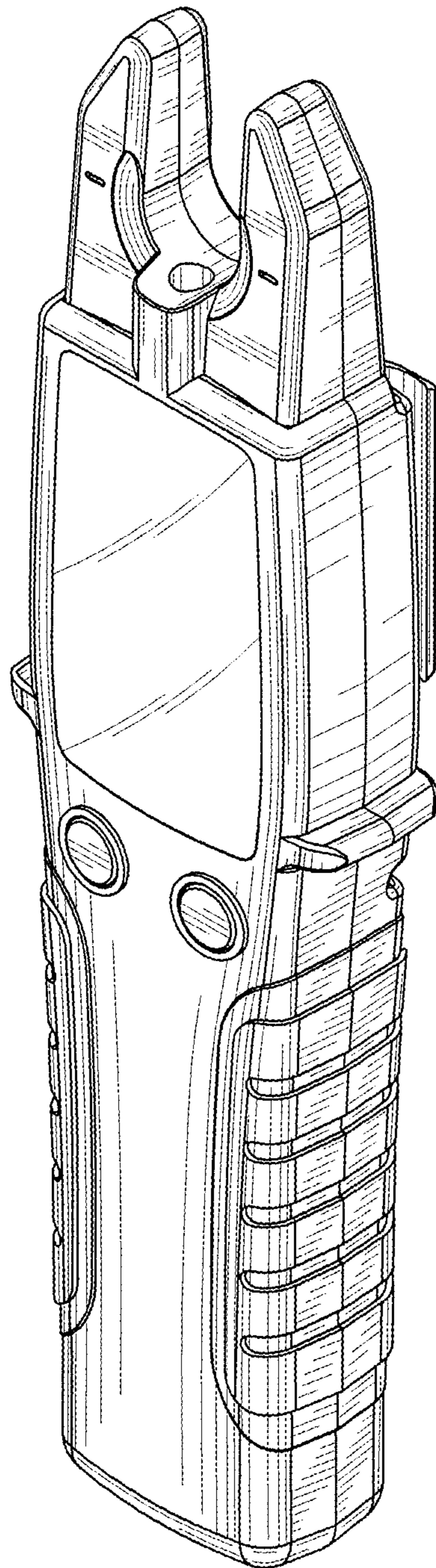


Fig. 1

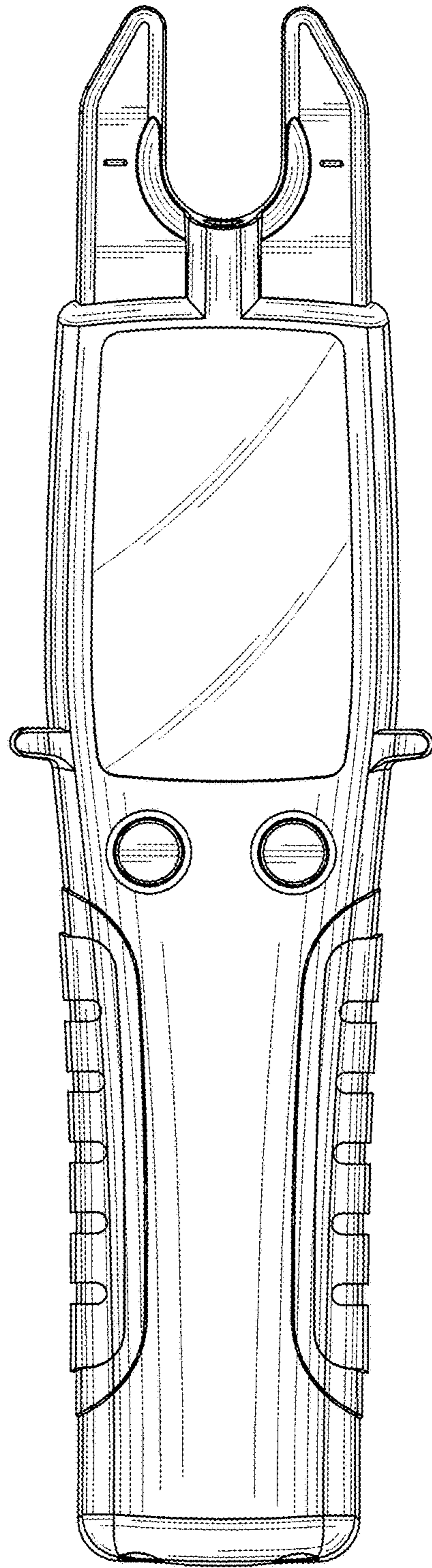


Fig.2

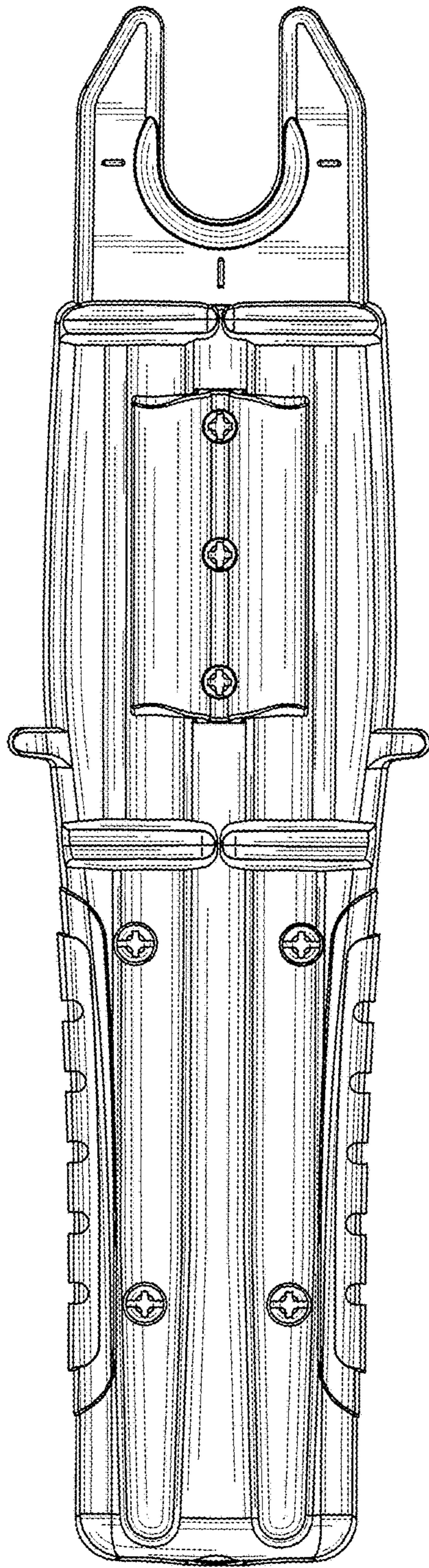


Fig.3

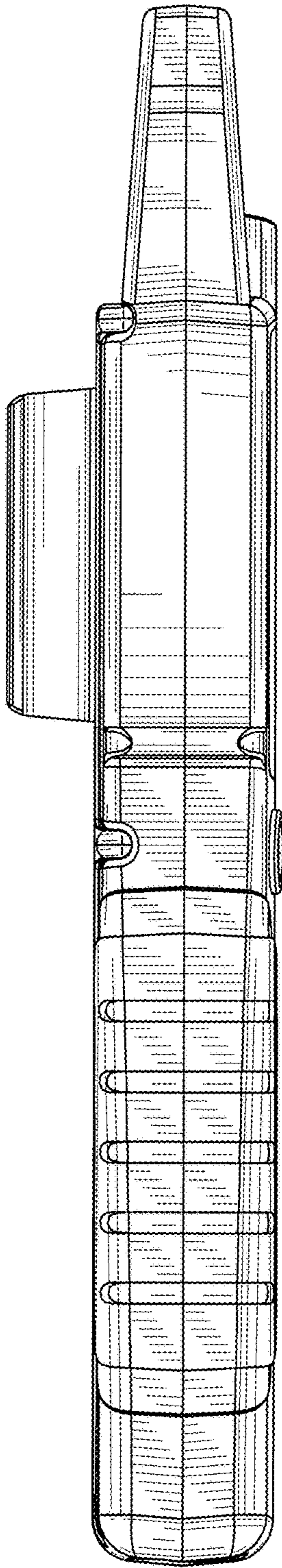


Fig.4

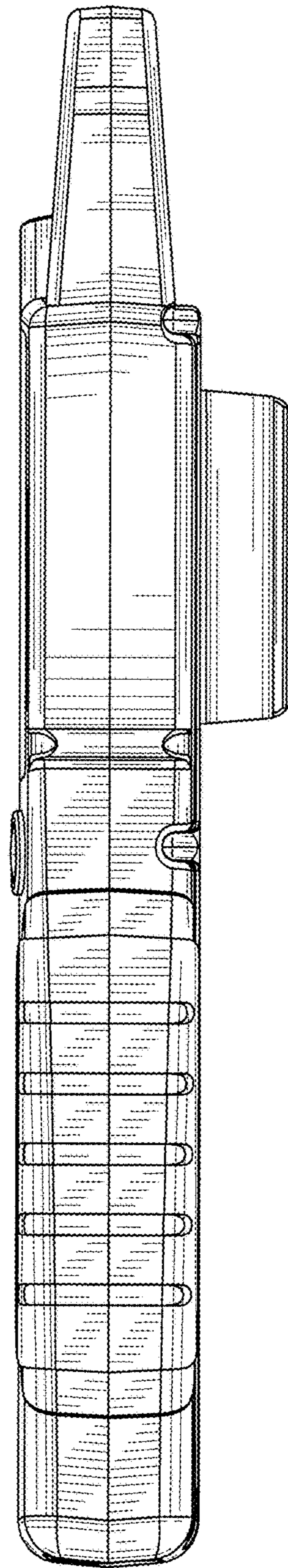


Fig.5

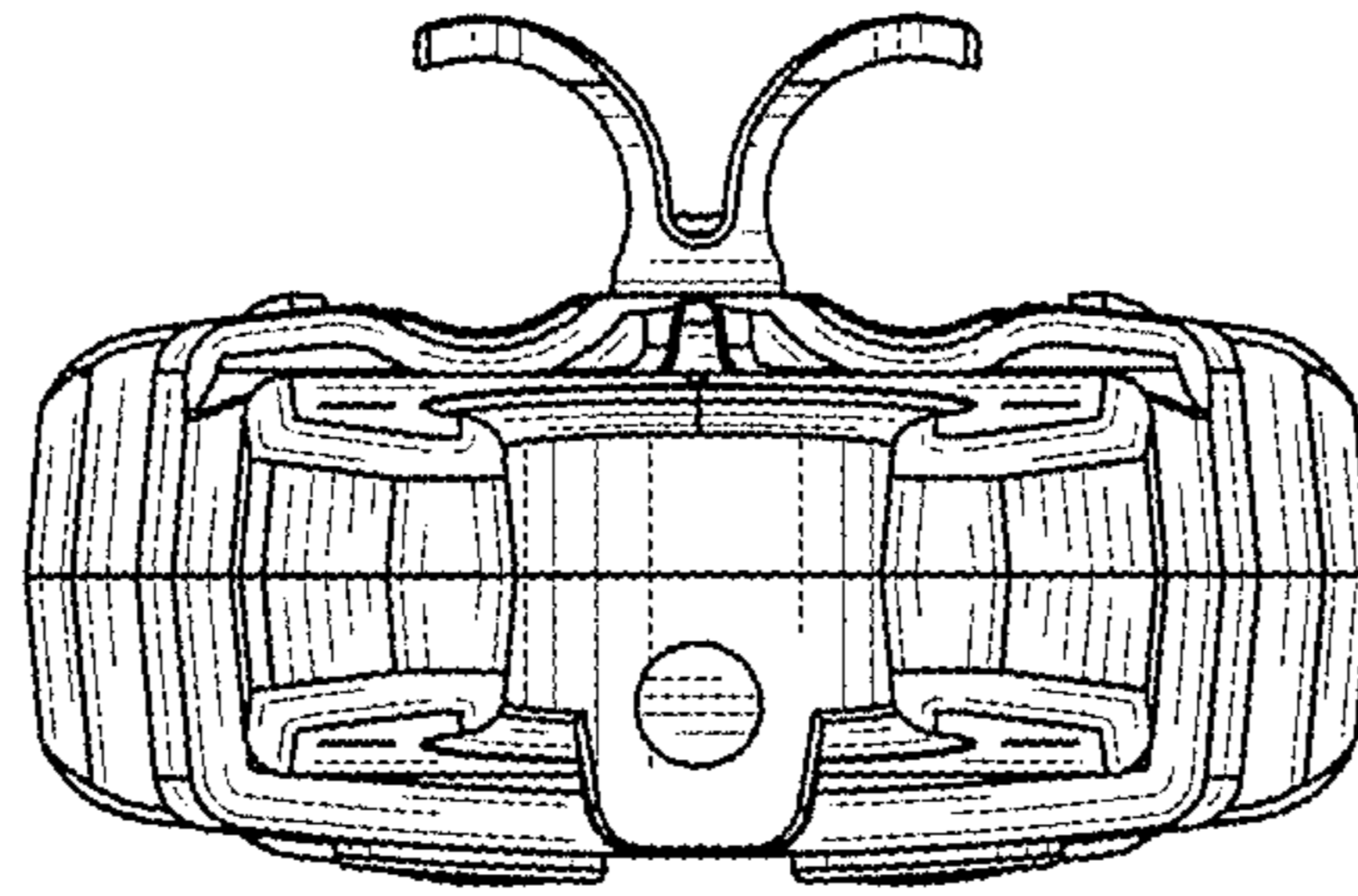


Fig.6

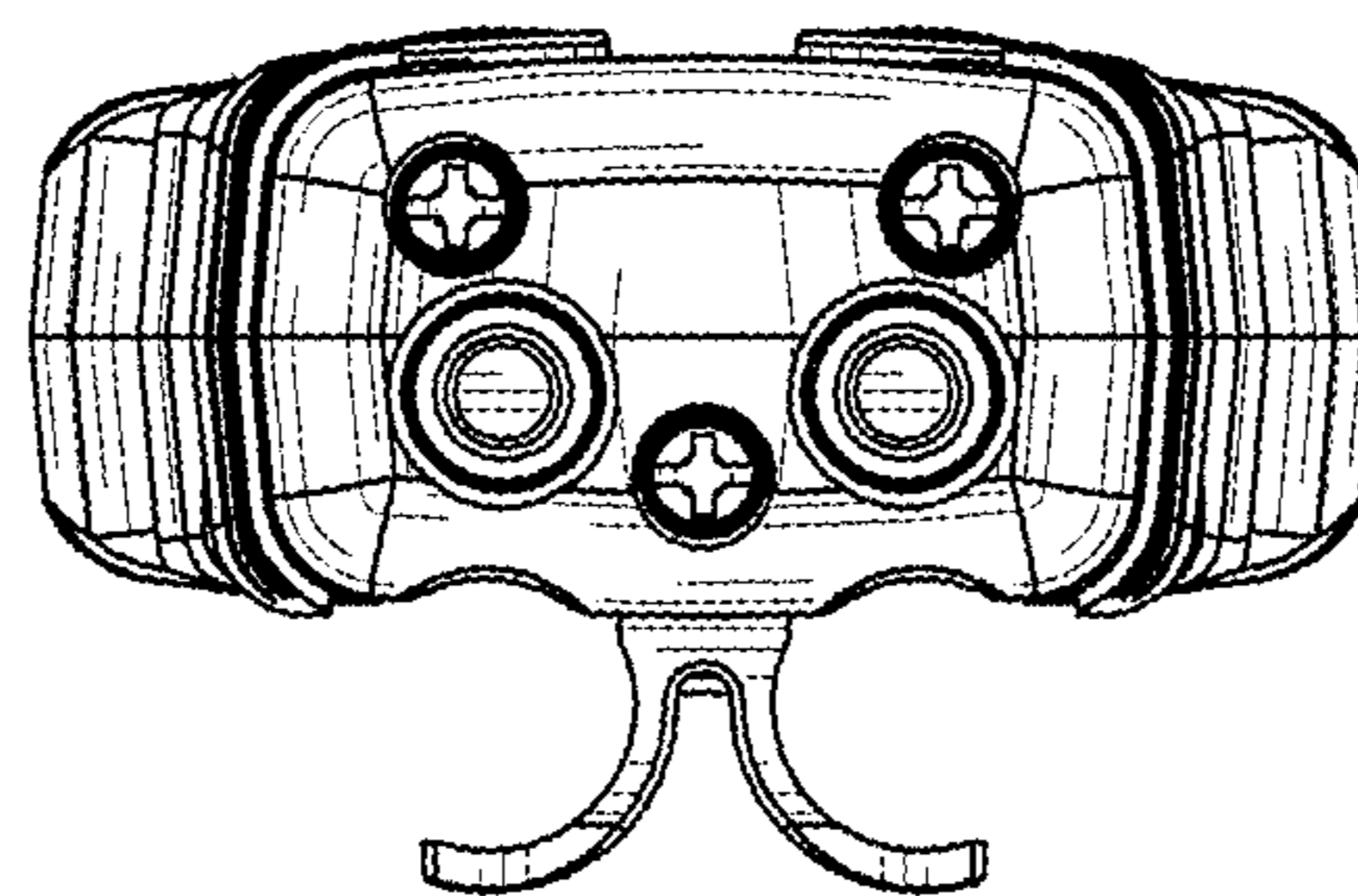


Fig.7

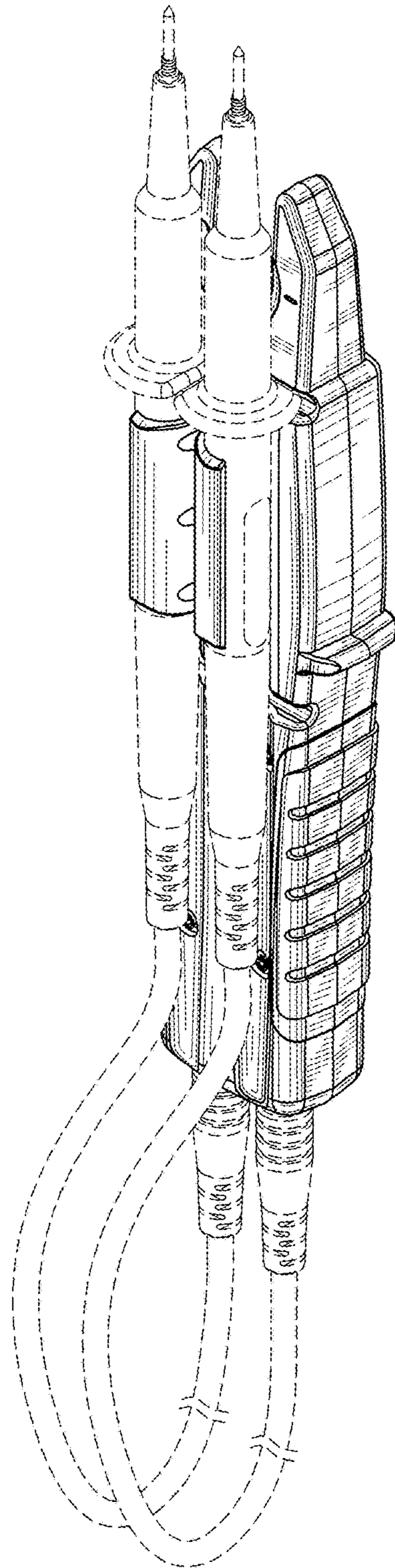


Fig.8

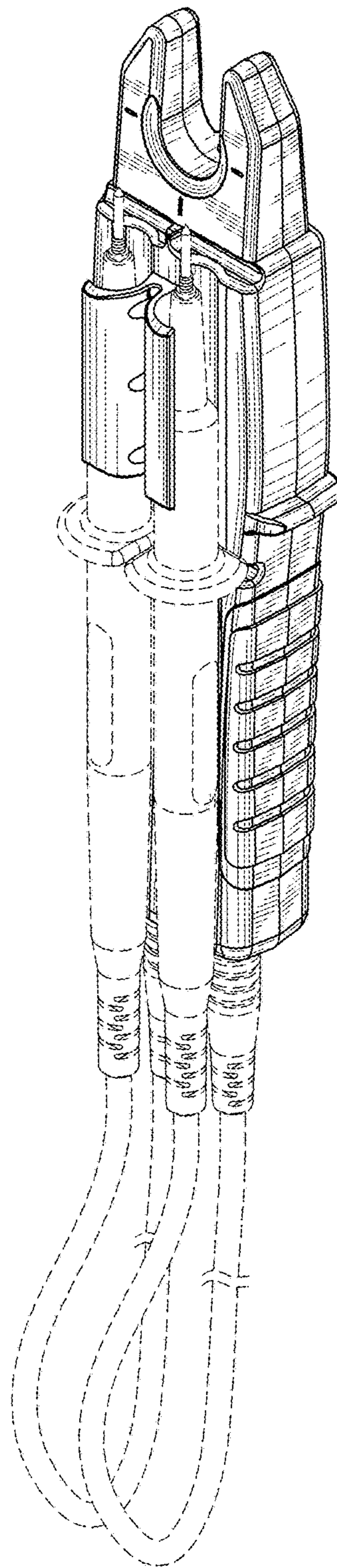


Fig.9