



US00D813694S

(12) **United States Design Patent**
Scott

(10) **Patent No.:** **US D813,694 S**
(45) **Date of Patent:** **** Mar. 27, 2018**

(54) **SLACK SETTER**

(71) Applicant: **Steven Richard Scott**, Curlew, WA (US)

(72) Inventor: **Steven Richard Scott**, Curlew, WA (US)

(73) Assignee: **Motion Pro, INC.**, Loomis, CA (US)

(**) Term: **15 Years**

(21) Appl. No.: **29/584,919**

(22) Filed: **Nov. 18, 2016**

(51) **LOC (11) Cl.** **10-04**

(52) **U.S. Cl.**
USPC **D10/65; D8/44**

(58) **Field of Classification Search**
USPC D8/44; D10/65
CPC B65G 23/44; B25B 25/00
See application file for complete search history.

(56) **References Cited**

U.S. PATENT DOCUMENTS

4,394,810 A *	7/1983	Womble	B25B 25/00
				59/7
5,205,543 A *	4/1993	Thiede	B25B 25/00
				254/231
7,497,071 B2 *	3/2009	Tillberg	B25B 25/00
				24/68 CT
D632,150 S *	2/2011	Ruan	D8/44

* cited by examiner

Primary Examiner — Antoine Duval Davis

(74) *Attorney, Agent, or Firm* — Larry B. Guernsey;
Patent Law Office of Larry Guernsey

(57) **CLAIM**

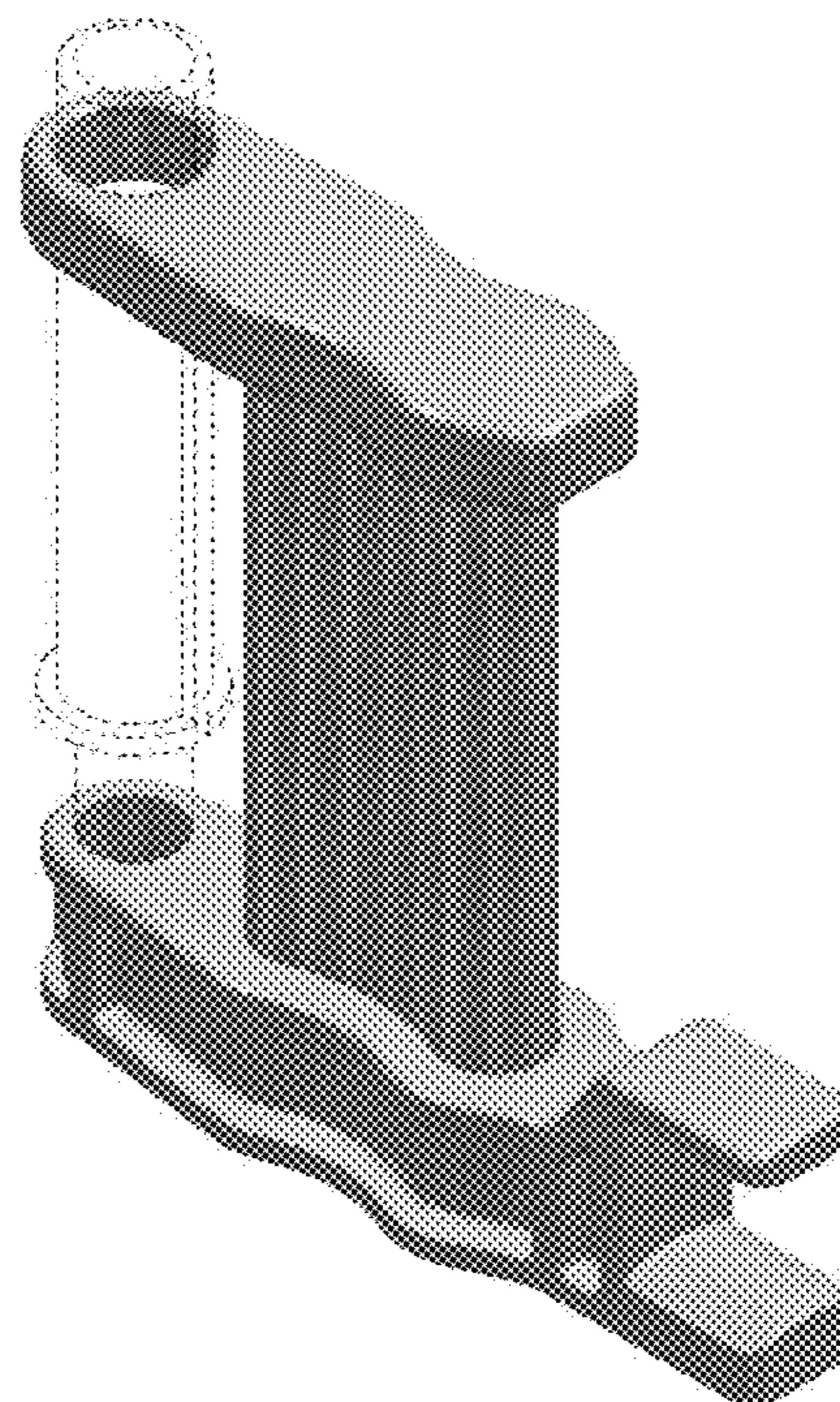
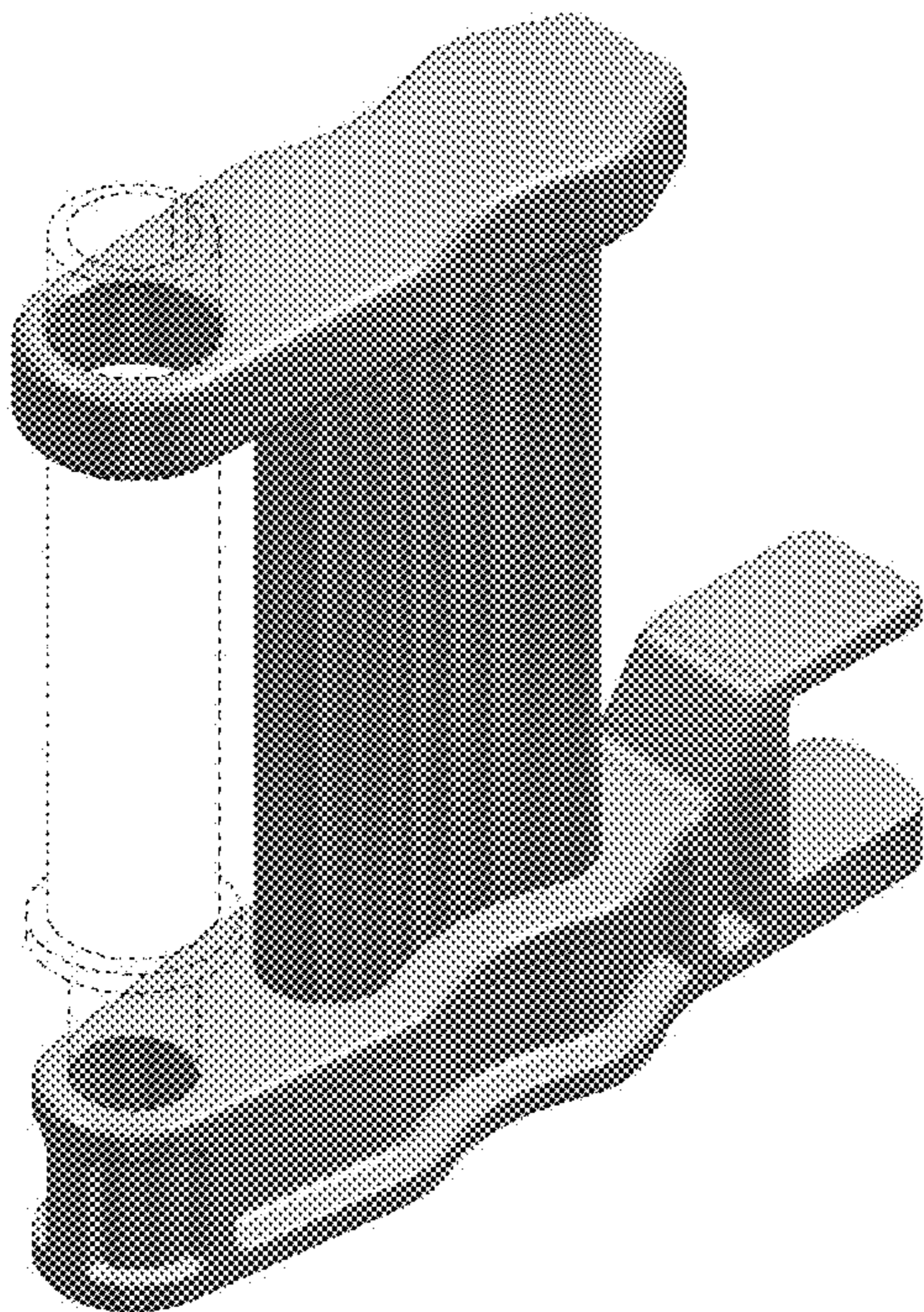
The ornamental design for a slack setter, as shown and described.

DESCRIPTION

FIG. 1 is a top plan view of an ornamental design for a slack setter of the present invention in a first configuration; FIG. 2 is a front view of an ornamental design for a slack setter of the present invention in a first configuration; FIG. 3 is a right side view of an ornamental design for a slack setter of the present invention in a first configuration; FIG. 4 is a rear view of an ornamental design for a slack setter of the present invention in a first configuration; FIG. 5 is a left side view of an ornamental design for a slack setter of the present invention in a first configuration; FIG. 6 is a bottom plan view of an ornamental design for a slack setter of the present invention in a first configuration; FIG. 7 is a front end isometric view of an ornamental design for a slack setter of the present invention in a first configuration; and, FIG. 8 is a rear end isometric view of an ornamental design for a slack setter of the present invention in a first configuration.

The broken line showing of structural features is included for the purpose of illustrating non-claimed subject matter and forms no part of the claimed design.

1 Claim, 8 Drawing Sheets



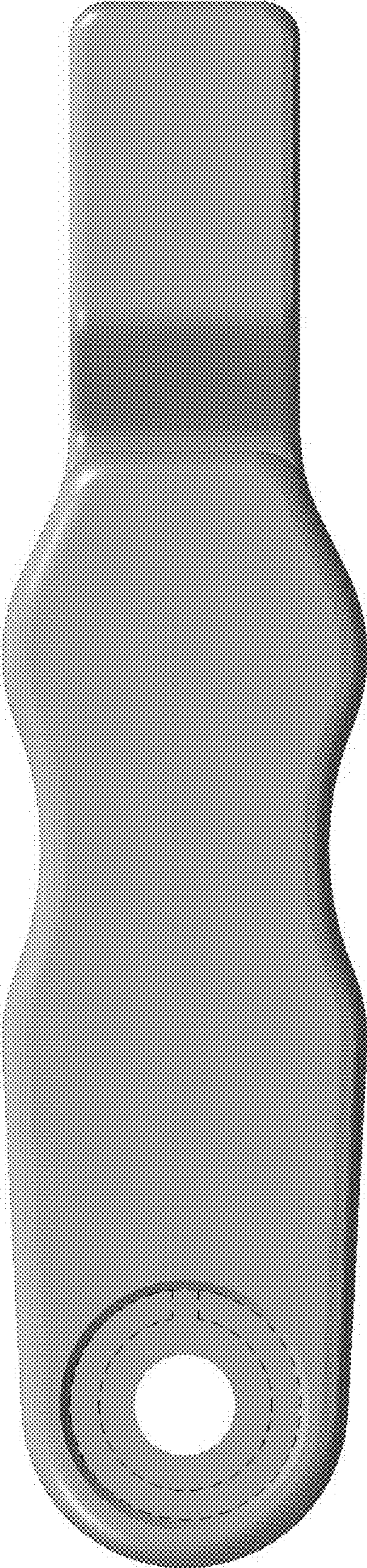


FIGURE 1

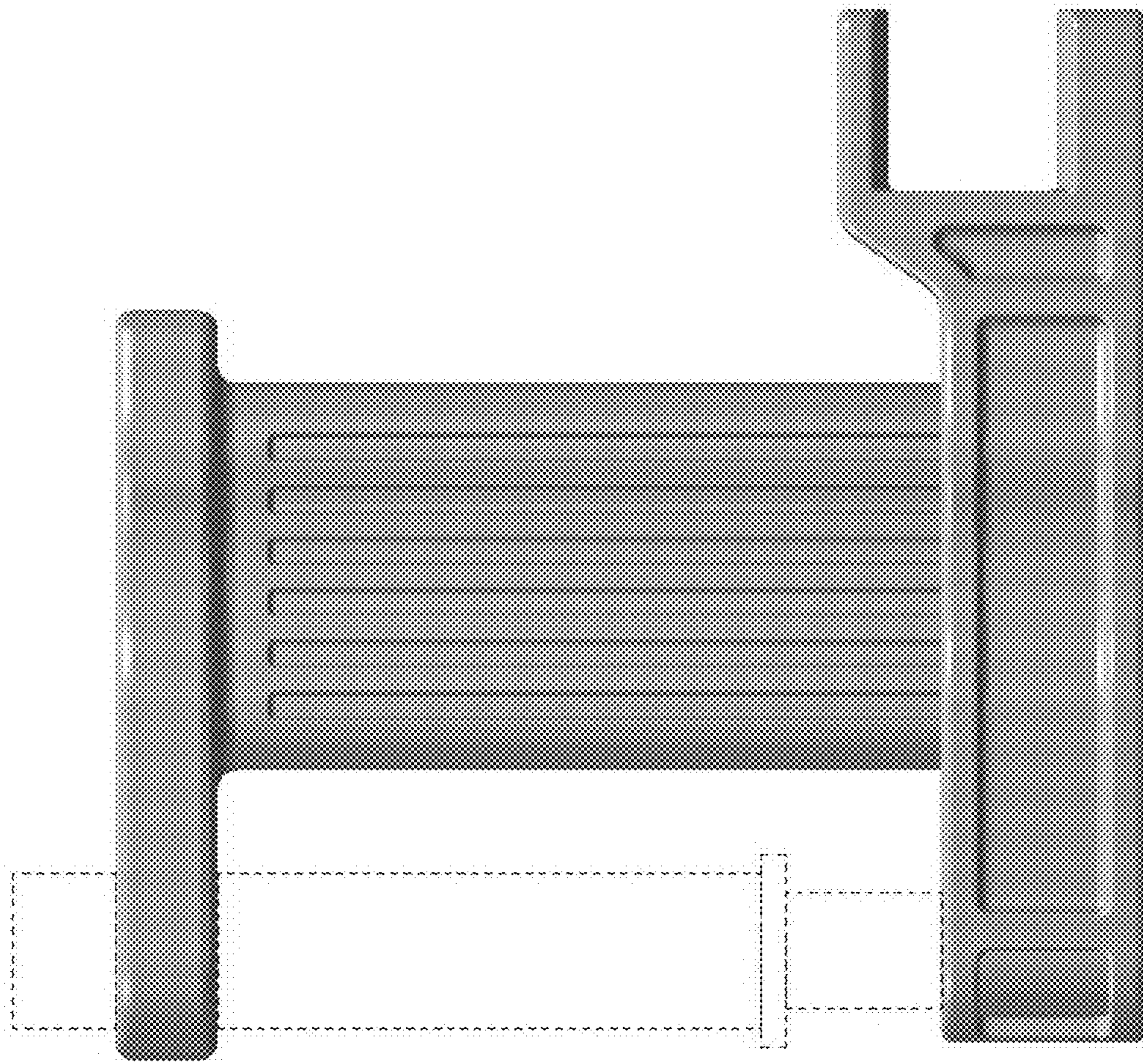


FIGURE 2

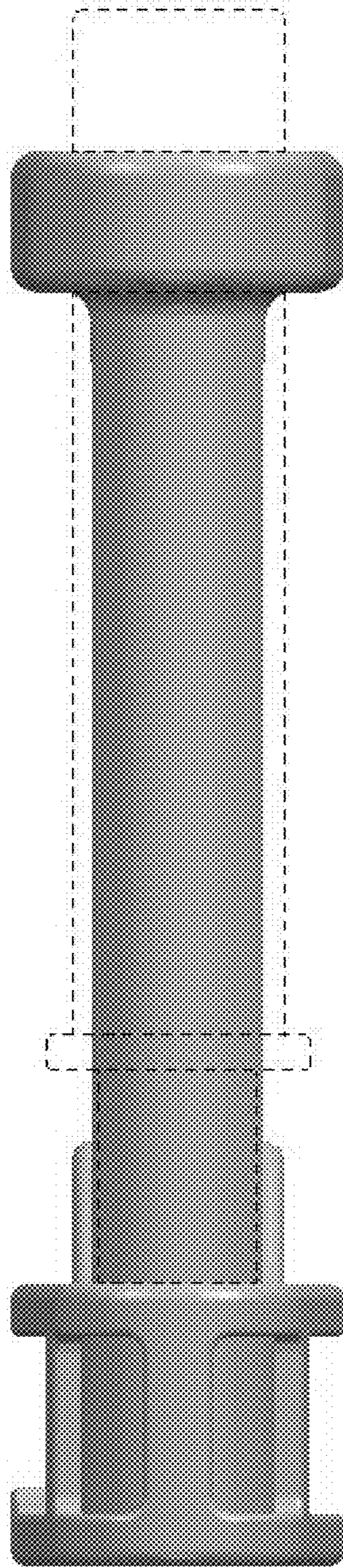


FIGURE 3

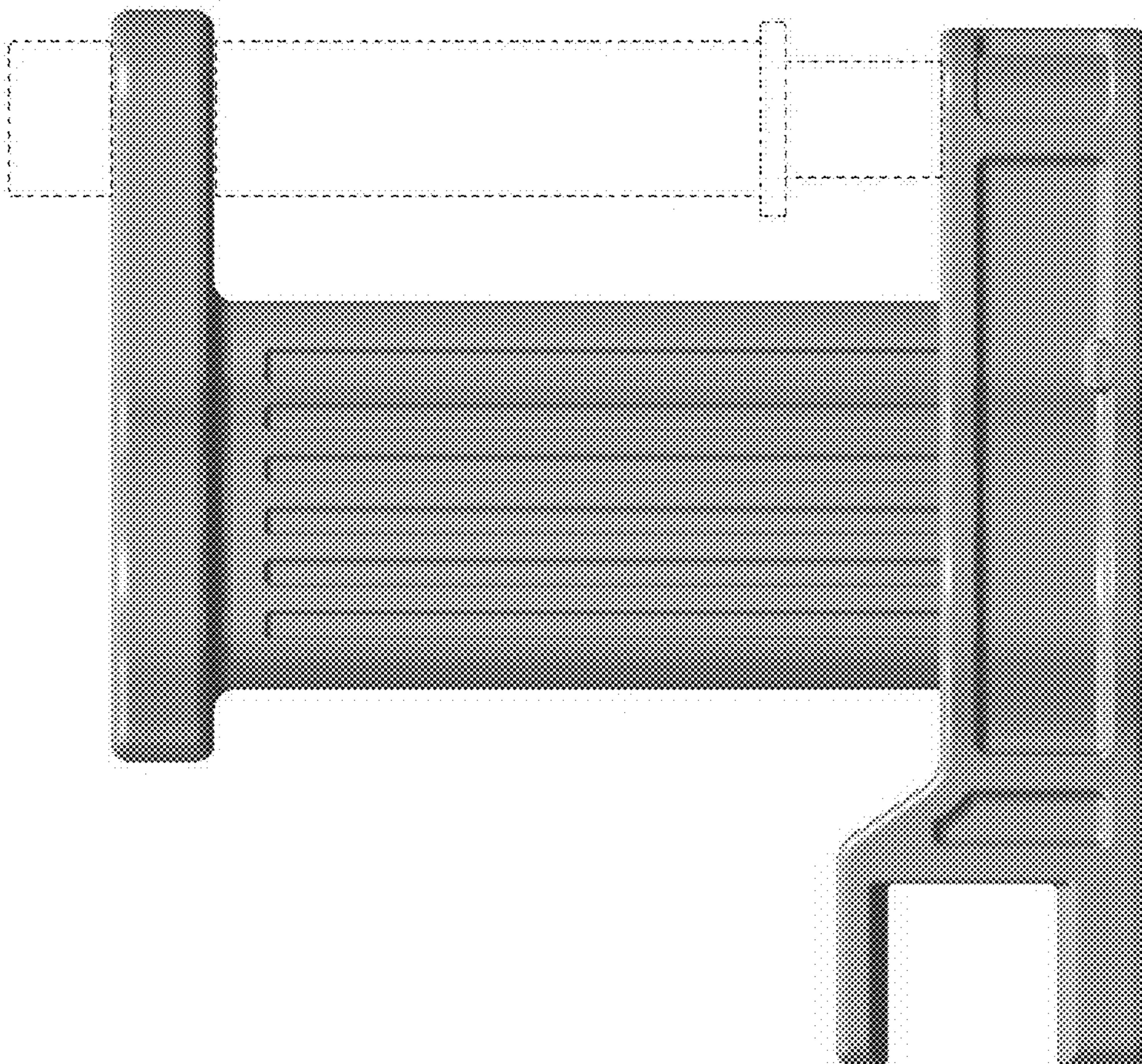


FIGURE 4

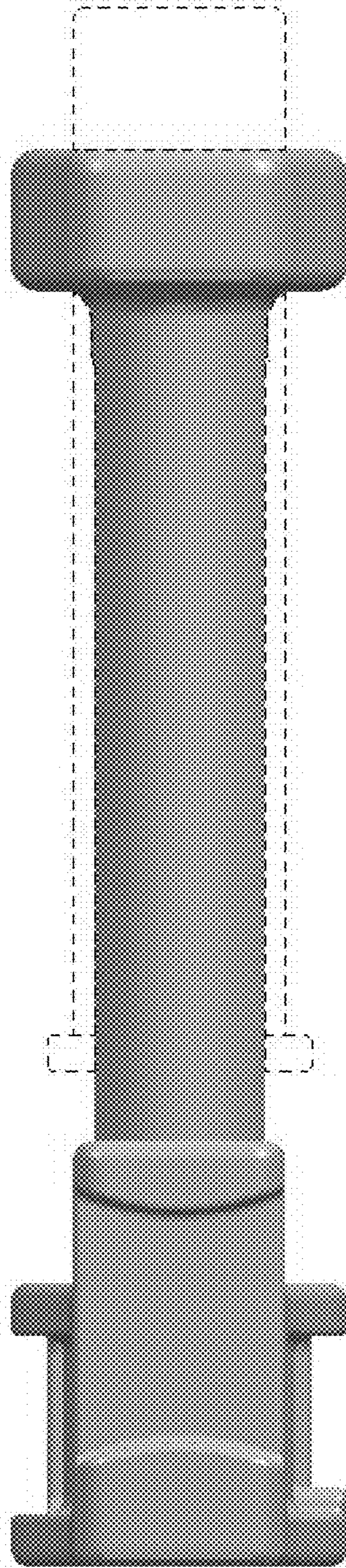


FIGURE 5

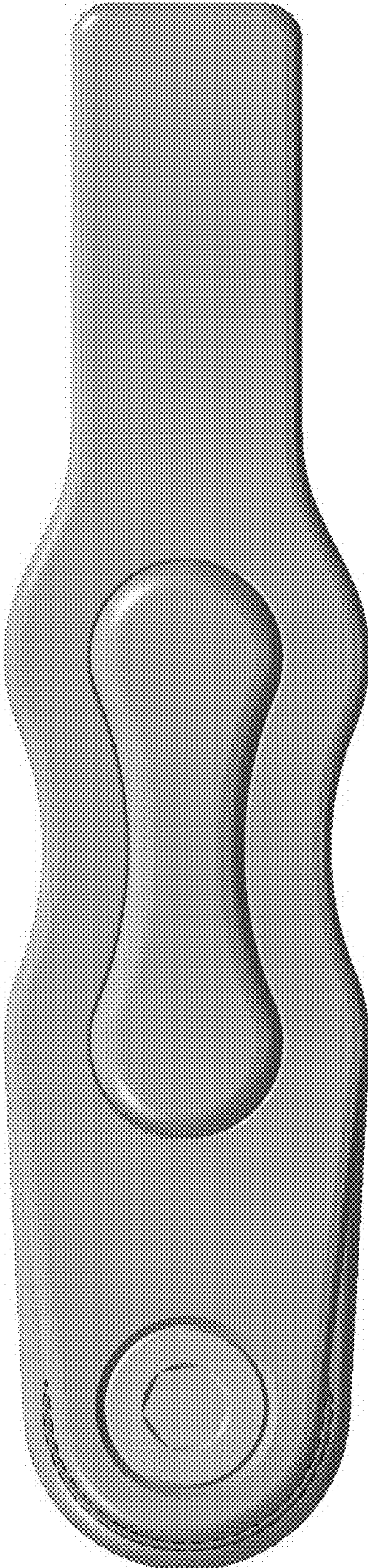


FIGURE 6

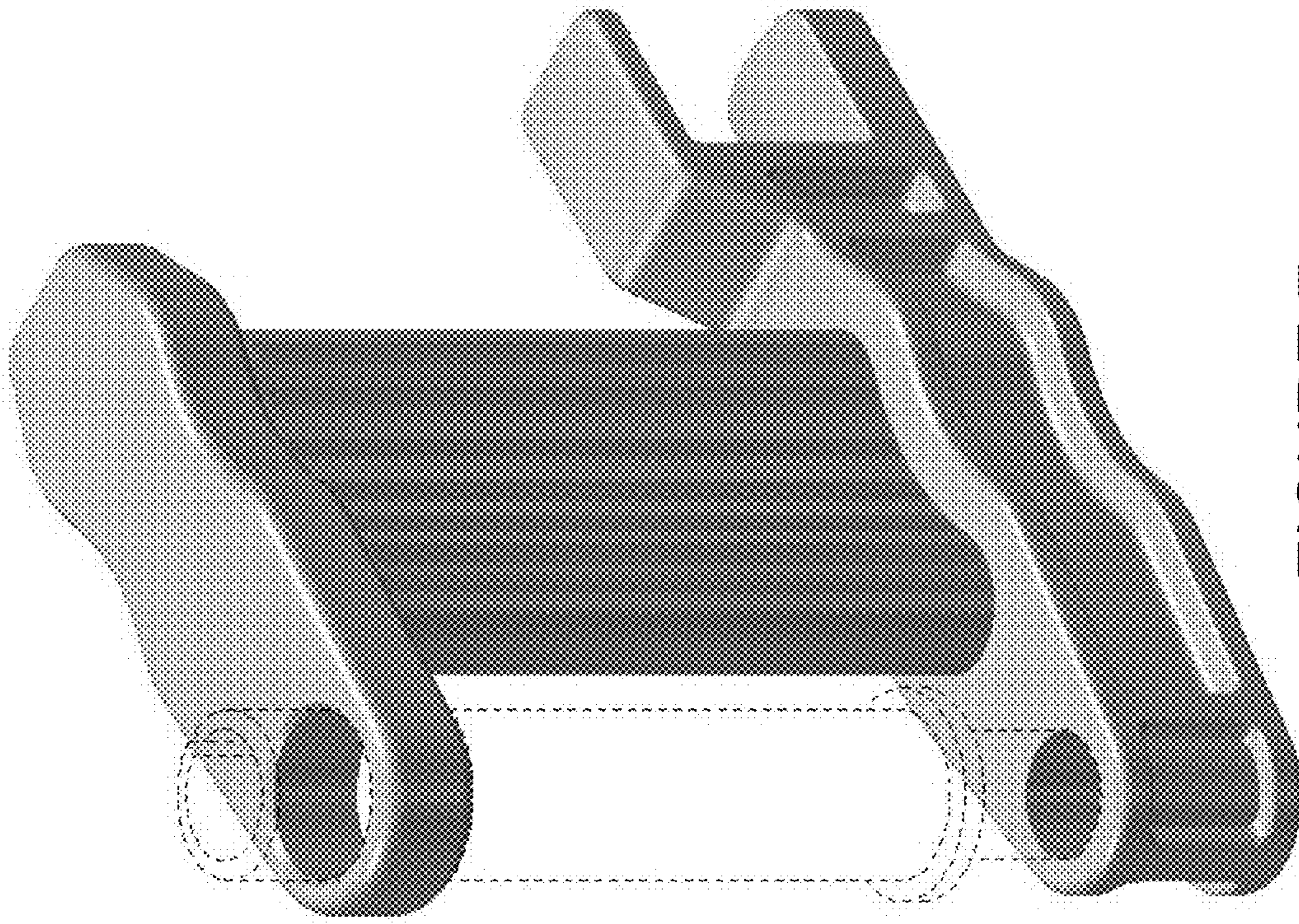


FIGURE 7

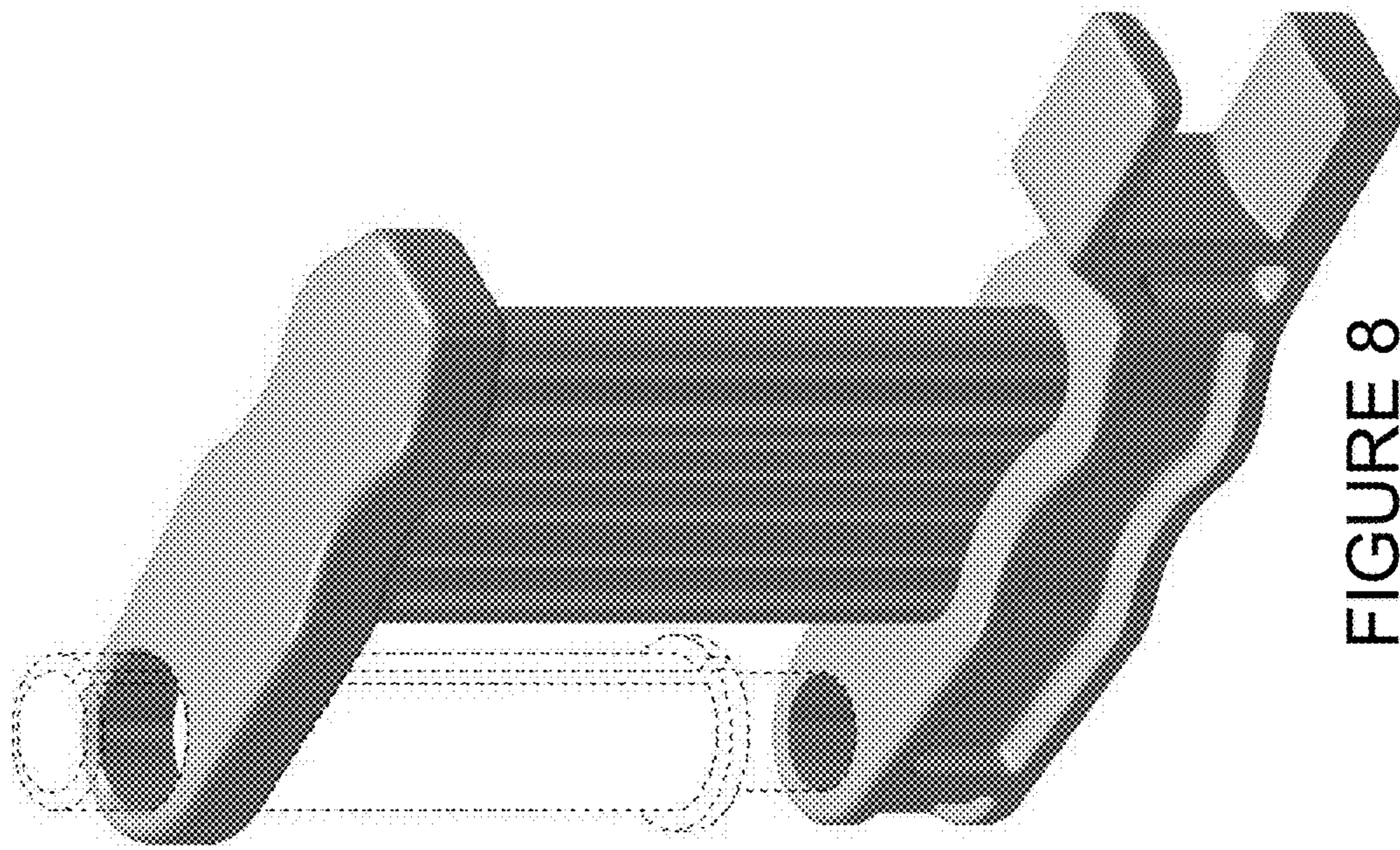


FIGURE 8